



US00D648572S

(12) **United States Design Patent**  
**Werner et al.**

(10) **Patent No.:** **US D648,572 S**  
(45) **Date of Patent:** **\*\* Nov. 15, 2011**

(54) **GUITAR STAND**

(75) Inventors: **Klaus Werner**, Wertheim-Hofgarten  
(DE); **Helmut Lippert**, Faulbach  
Ot-Breitenbrunn (DE)

(73) Assignee: **Koenig & Meyer GmbH & Co. KG**,  
Wertheim (DE)

(\*\*) Term: **14 Years**

(21) Appl. No.: **29/391,616**

(22) Filed: **May 11, 2011**

(30) **Foreign Application Priority Data**

Nov. 12, 2010 (EM) ..... 001 780 990

(51) **LOC (9) Cl.** ..... **06-04**

(52) **U.S. Cl.** ..... **D6/467**

(58) **Field of Classification Search** ..... D6/396,  
D6/408, 409, 418, 431, 449, 450, 454-469;  
211/1, 10, 13.1, 27, 39, 44, 50-53, 59.2,  
211/59.3, 60.1, 64, 65, 70, 70.1, 85.6, 85.7;  
84/327; 248/97, 121, 172

See application file for complete search history.

(56) **References Cited**

**U.S. PATENT DOCUMENTS**

177,540 A \* 5/1876 Mosher ..... 248/97  
1,045,583 A \* 11/1912 Mills ..... 211/85.6  
D236,227 S \* 8/1975 Kester ..... D6/431

4,099,441 A \* 7/1978 Landon ..... 84/327  
D262,333 S \* 12/1981 Litt ..... D6/418  
5,556,064 A \* 9/1996 Cowe ..... 248/172  
5,797,567 A \* 8/1998 Magnafici ..... 248/97  
6,800,798 B2 \* 10/2004 Hsieh ..... 84/327  
7,829,775 B2 \* 11/2010 Morrow ..... 84/327

**OTHER PUBLICATIONS**

Four Guitar Stand >> Roadie<<—König & Meyer <http://produkte.k-m.de/en/Stands-and-accessories-for-instruments/Fretted-instruments/17604-Four-guitar-stand-Roadie-black> pulled from the web on Aug. 3, 2011.\*

\* cited by examiner

*Primary Examiner* — Mary Ann Calabrese

(74) *Attorney, Agent, or Firm* — Greenblum Bernstein, PLC

(57) **CLAIM**

I claim the ornamental design for a guitar stand, as shown and described.

**DESCRIPTION**

FIG. 1 is a front and right side perspective view of a guitar stand;

FIG. 2 is a front and left side perspective view of FIG. 1;

FIG. 3 is a bottom view of FIG. 1;

FIG. 4 is a front view of FIG. 1;

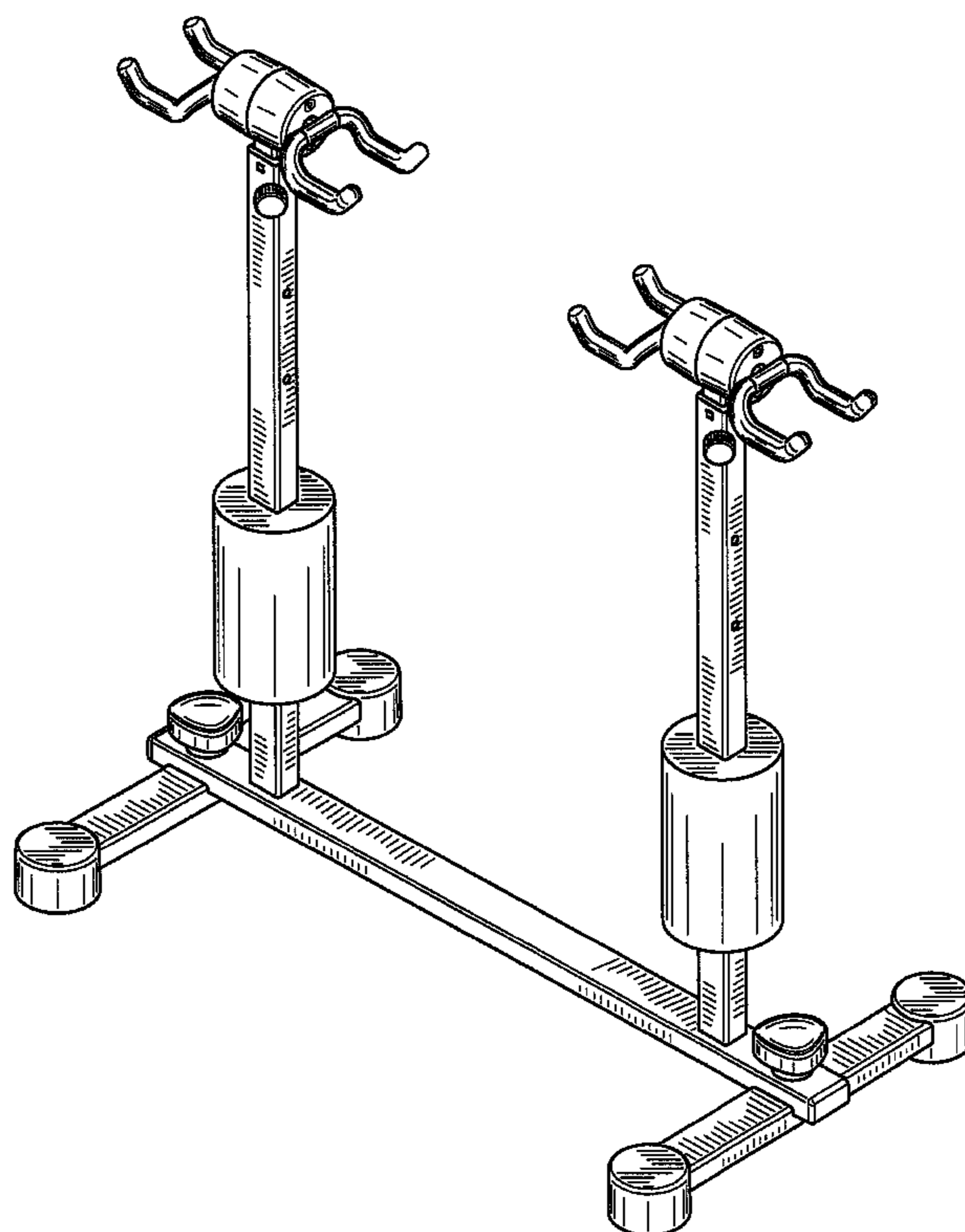
FIG. 5 is a rear view of FIG. 1;

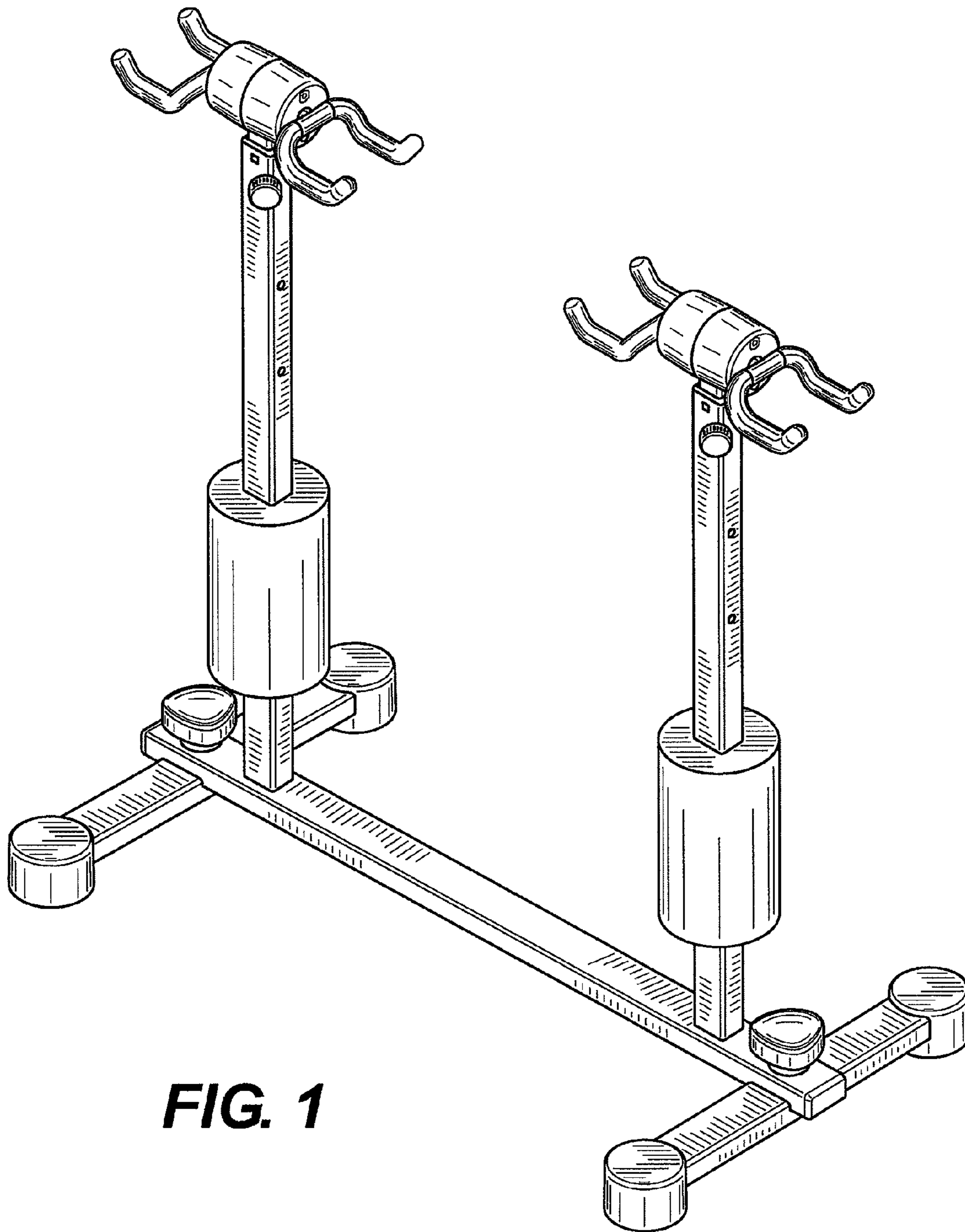
FIG. 6 is a right side view of FIG. 1; and,

FIG. 7 is a left side view of FIG. 1.

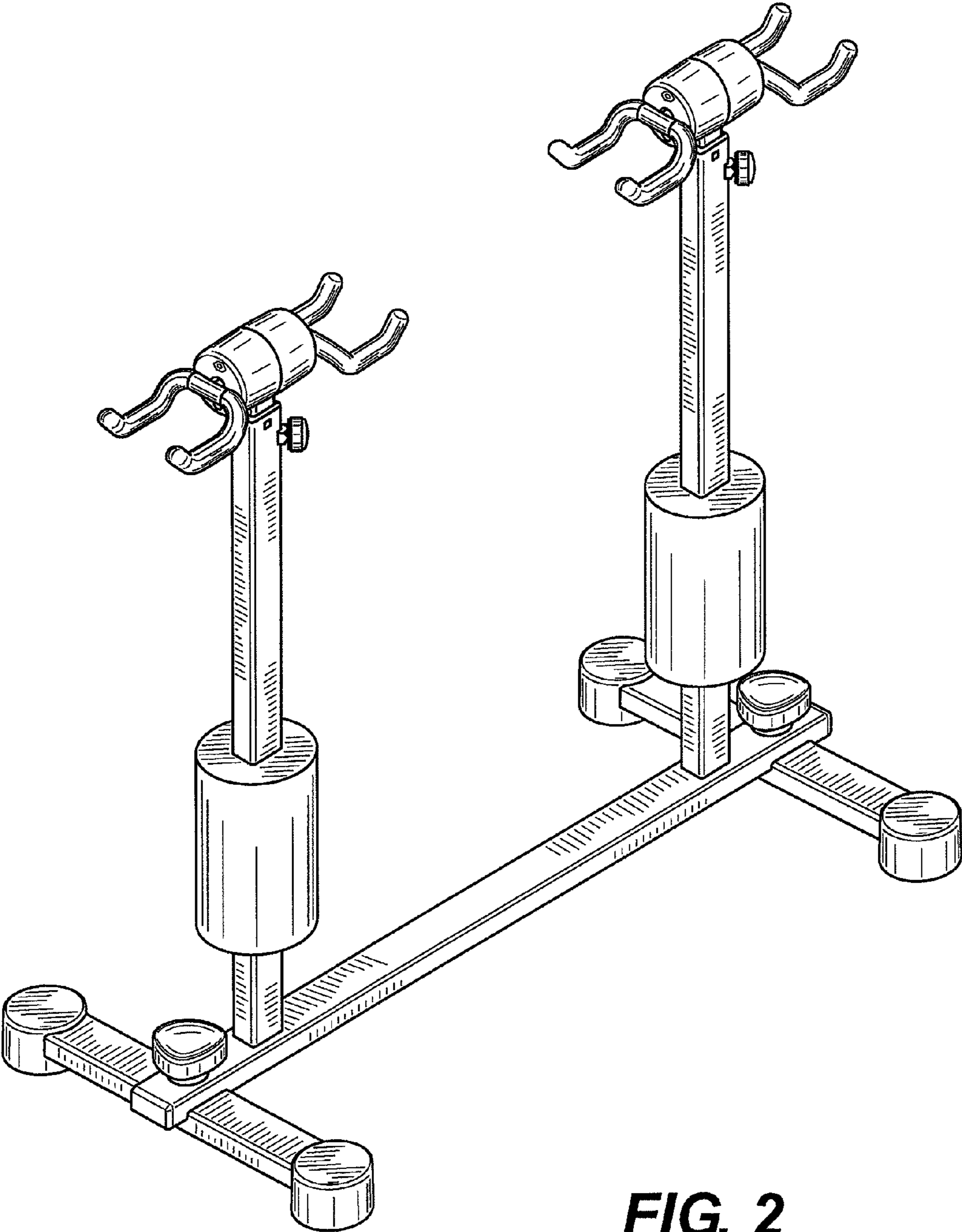
In the drawings, the broken lines represent features that form no part of the claimed design.

**1 Claim, 7 Drawing Sheets**

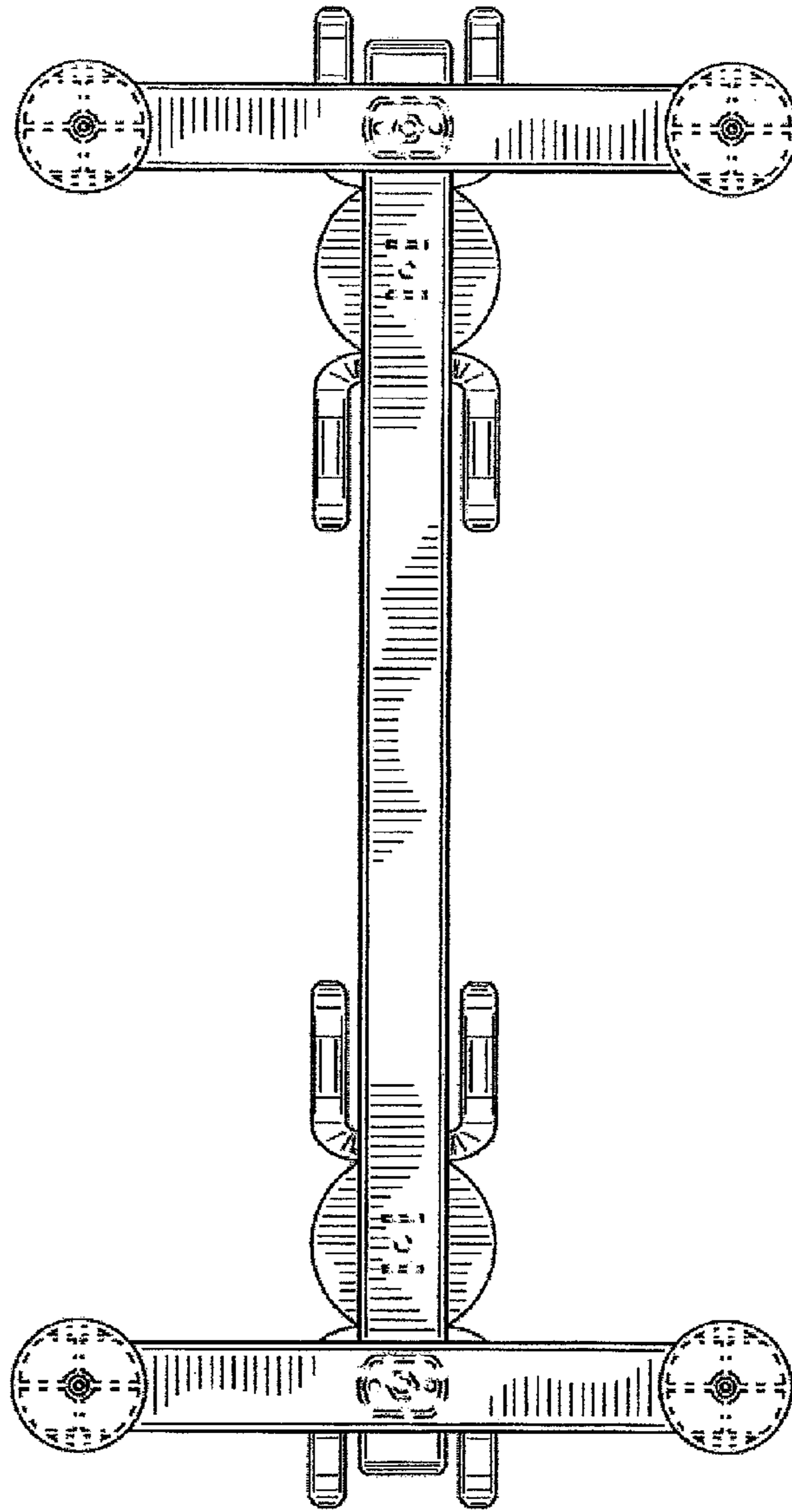




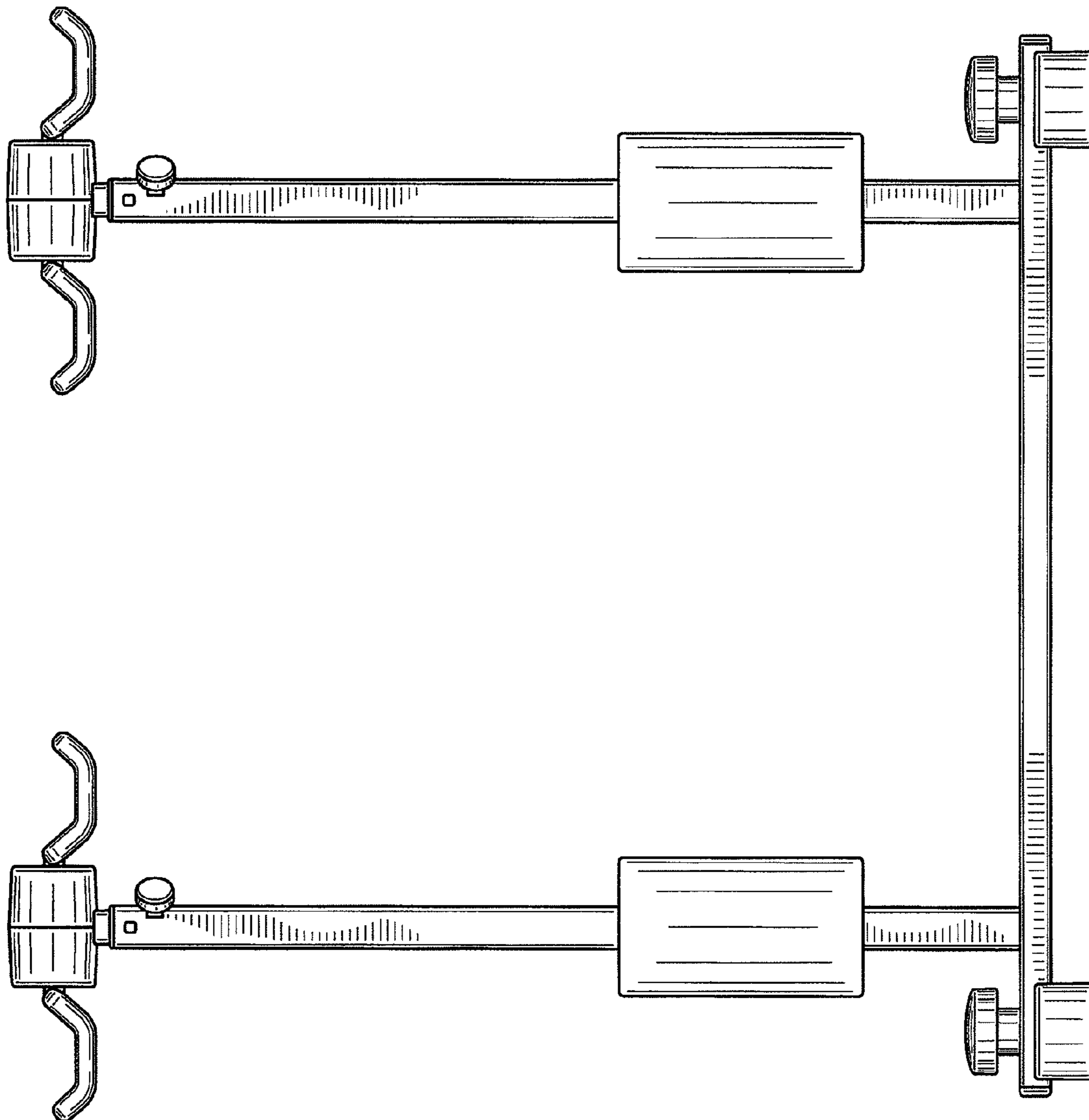
**FIG. 1**



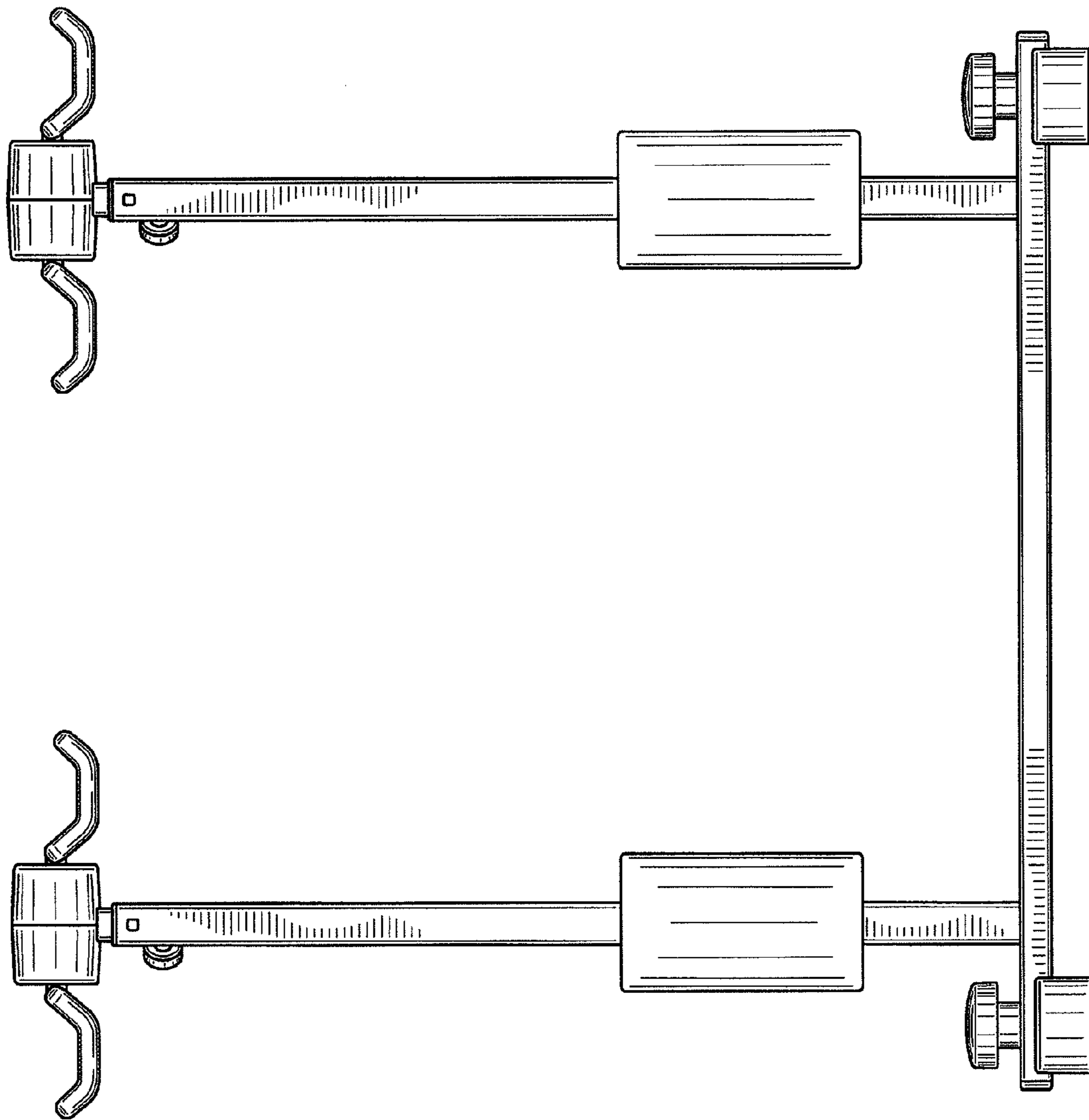
**FIG. 2**



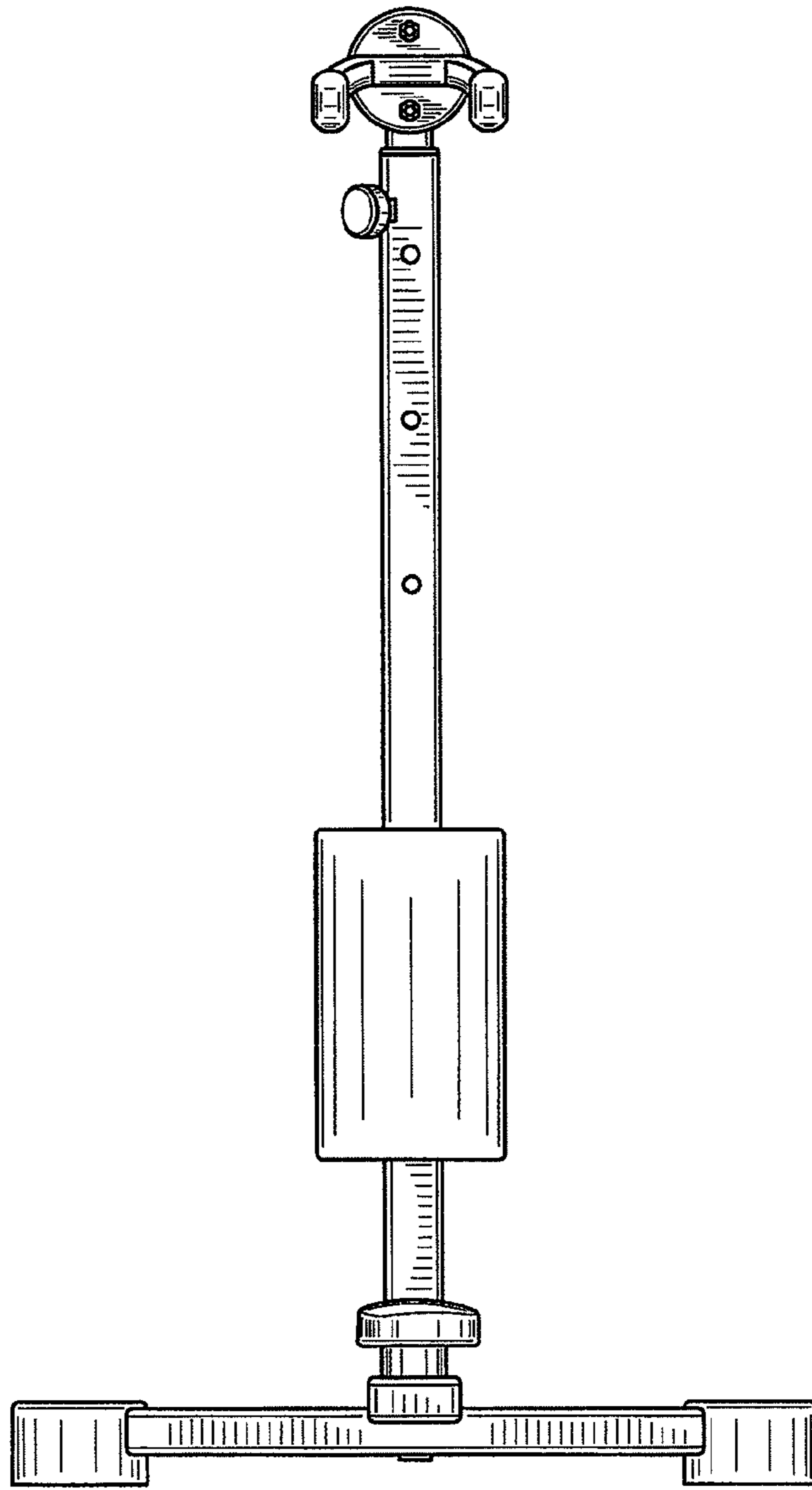
**FIG. 3**



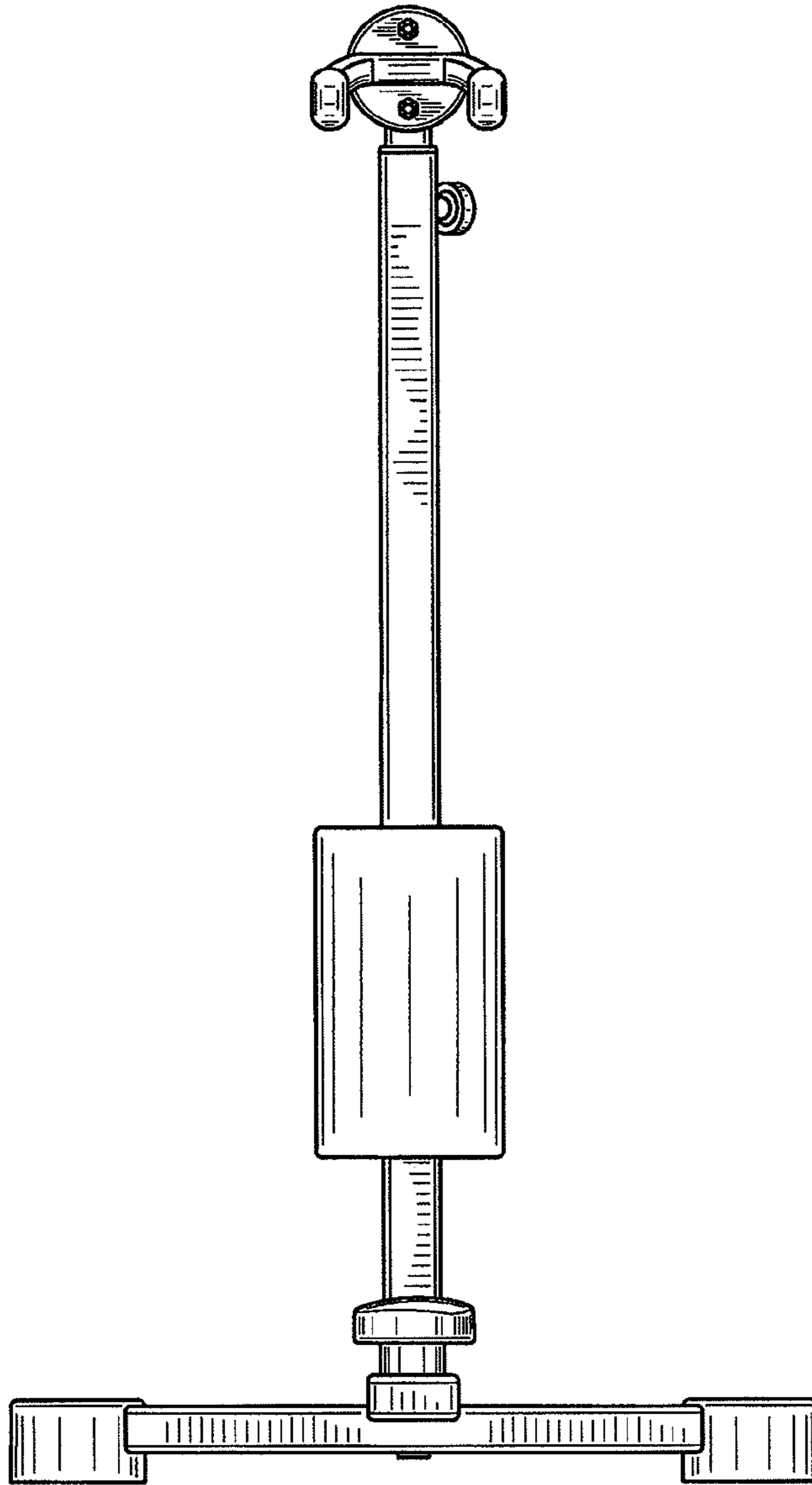
**FIG. 4**



**FIG. 5**



**FIG. 6**



**FIG. 7**