



US00D648571S

(12) **United States Design Patent**
Eason

(10) **Patent No.:** **US D648,571 S**

(45) **Date of Patent:** **** Nov. 15, 2011**

(54) **X-SHAPED MUSIC STAND**

(75) **Inventor:** **Donald Herbert Eason**, Fort Collins,
CO (US)

(73) **Assignee:** **Ching-Tsang Wu**, Selangor Darul Ehsan
(MY)

(**) **Term:** **14 Years**

(21) **Appl. No.:** **29/386,737**

(22) **Filed:** **Mar. 4, 2011**

(51) **LOC (9) Cl.** **06-04**

(52) **U.S. Cl.** **D6/462**

(58) **Field of Classification Search** D6/396,
D6/397, 409, 410, 449, 450, 453-470; 84/327;
211/1, 13.1, 69.1, 69.5, 70, 70.1, 70.6, 74,
211/77, 78, 85.4-85.6, 85.8, 85.31, 126.9,
211/134, 181.1, 181.2; 248/121, 164, 166,
248/292.12, 431

See application file for complete search history.

(56) **References Cited**

U.S. PATENT DOCUMENTS

| | | | | | |
|-----------|------|---------|---------|-------|---------|
| D289,952 | S * | 5/1987 | Kido | | D6/463 |
| 4,763,865 | A * | 8/1988 | Danner | | 248/164 |
| 4,917,341 | A * | 4/1990 | Pirchio | | 248/164 |
| 5,358,204 | A * | 10/1994 | Terada | | 248/164 |
| 5,467,953 | A * | 11/1995 | Malizia | | 248/166 |
| 5,857,649 | A * | 1/1999 | Eason | | 248/164 |
| 5,984,245 | A * | 11/1999 | Hsu | | 248/164 |
| 6,563,035 | B2 * | 5/2003 | Hsieh | | 84/327 |
| 6,923,416 | B1 * | 8/2005 | Hsieh | | 248/431 |
| 7,368,647 | B2 * | 5/2008 | Hsieh | | 84/327 |

| | | | | | |
|--------------|------|--------|--------------|-------|------------|
| 2002/0073823 | A1 * | 6/2002 | Hsieh | | 84/327 |
| 2002/0100852 | A1 * | 8/2002 | Eason et al. | | 248/292.12 |
| 2005/0173609 | A1 * | 8/2005 | Hsieh | | 248/431 |
| 2006/0185495 | A1 * | 8/2006 | Hsieh | | 84/327 |

* cited by examiner

Primary Examiner — Mary Ann Calabrese

(74) *Attorney, Agent, or Firm* — Jackson IPG PLLC;
Demian K. Jackson

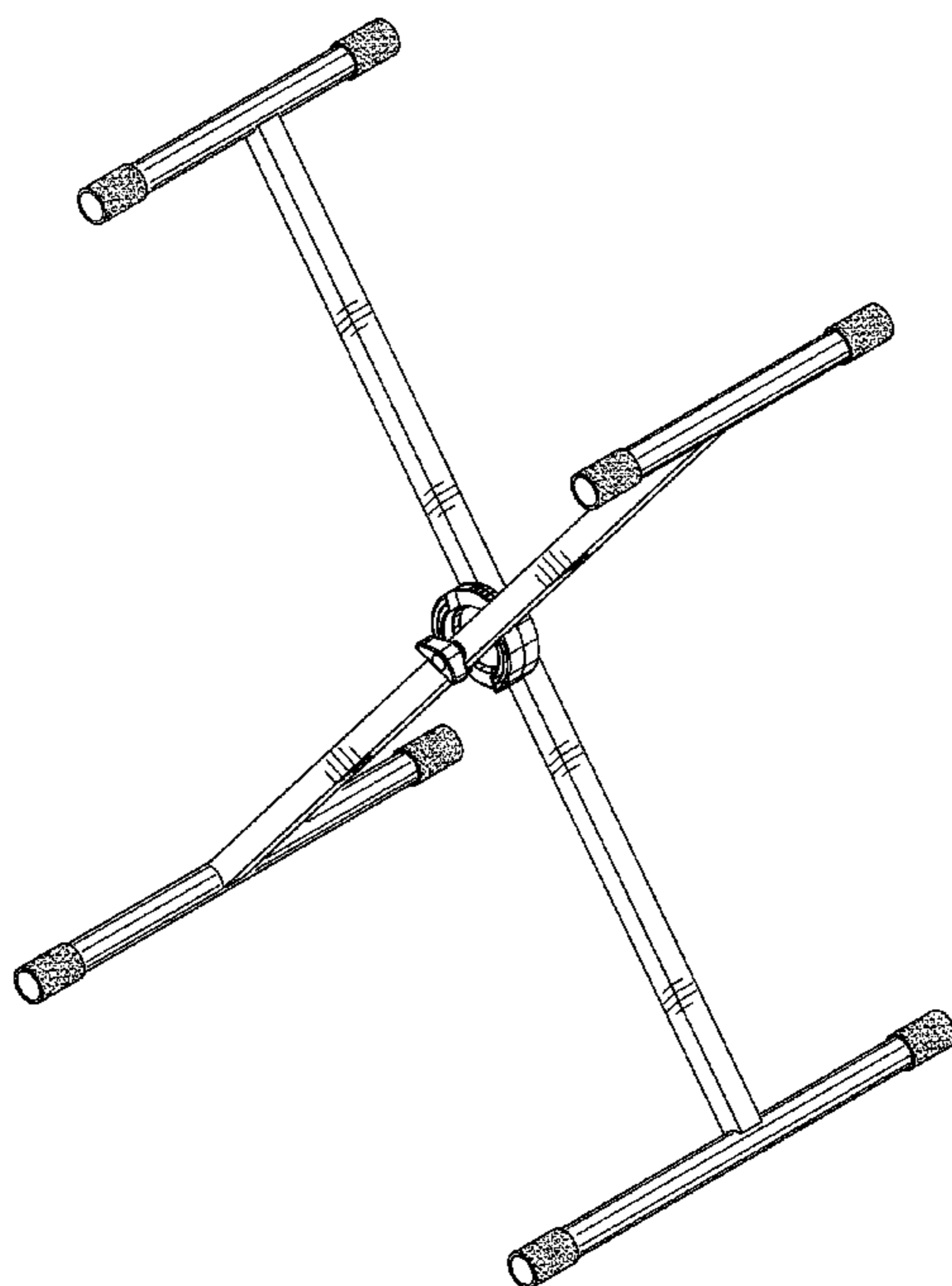
(57) **CLAIM**

The ornamental design for X-shaped music stand, as shown and described.

DESCRIPTION

FIG. 1 is a perspective view of a x-shaped music stand showing my new design;
FIG. 2 is a front elevational view thereof;
FIG. 3 is a rear elevational view thereof;
FIG. 4 is a top plan view thereof;
FIG. 5 is a bottom plan view thereof;
FIG. 6 is a right side elevational view thereof; and the left side being a mirror image;
FIG. 7 is a cross sectional view taken along line 7-7 in FIG. 2;
FIG. 8 is a cross sectional view taken along line 8-8 in FIG. 3; and,
FIG. 9 is a cross sectional view taken along line 9-9 in FIG. 4.
Those portions of the design indicated by broken lines form no part of the claimed design.

1 Claim, 9 Drawing Sheets



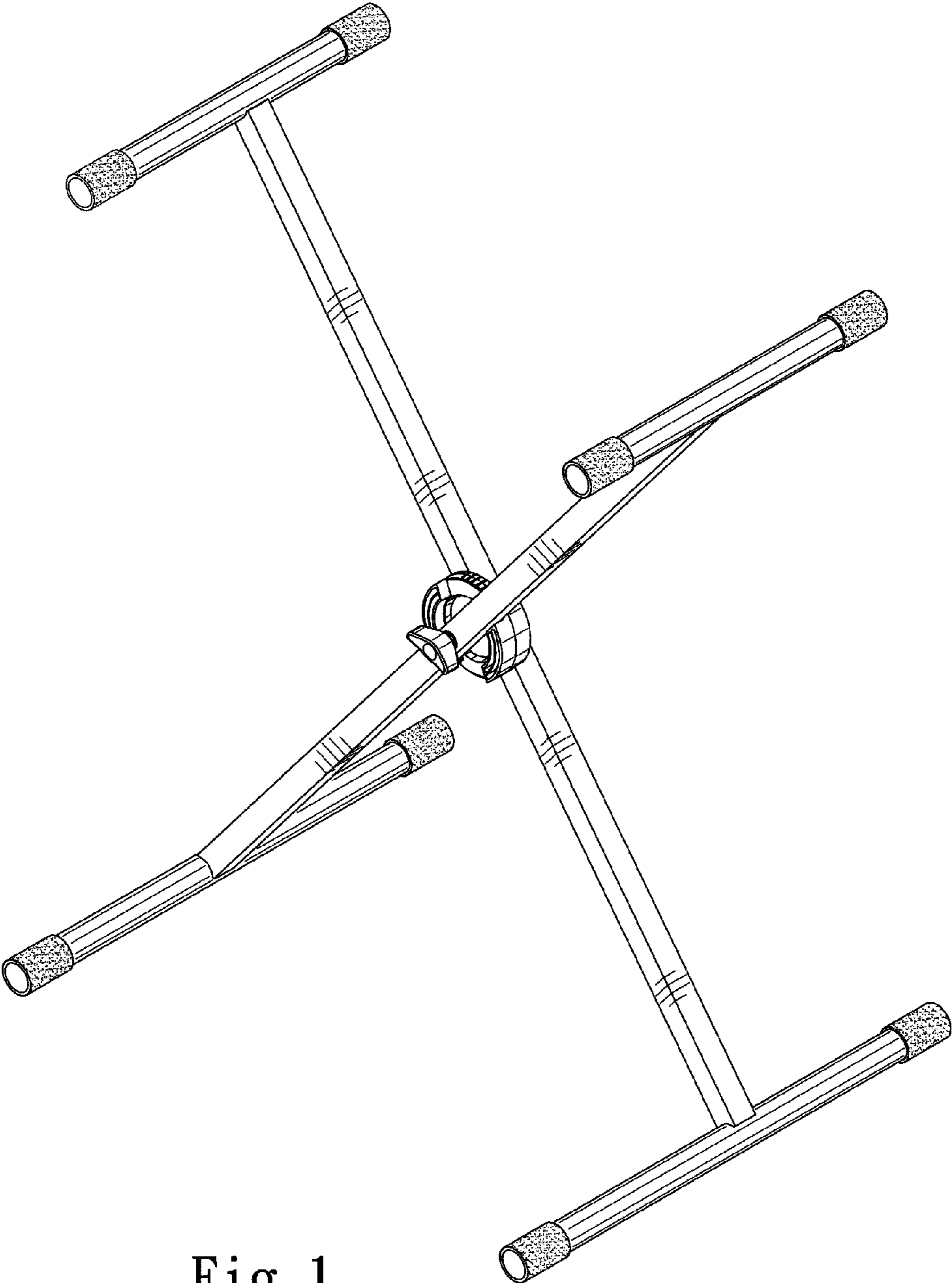


Fig. 1

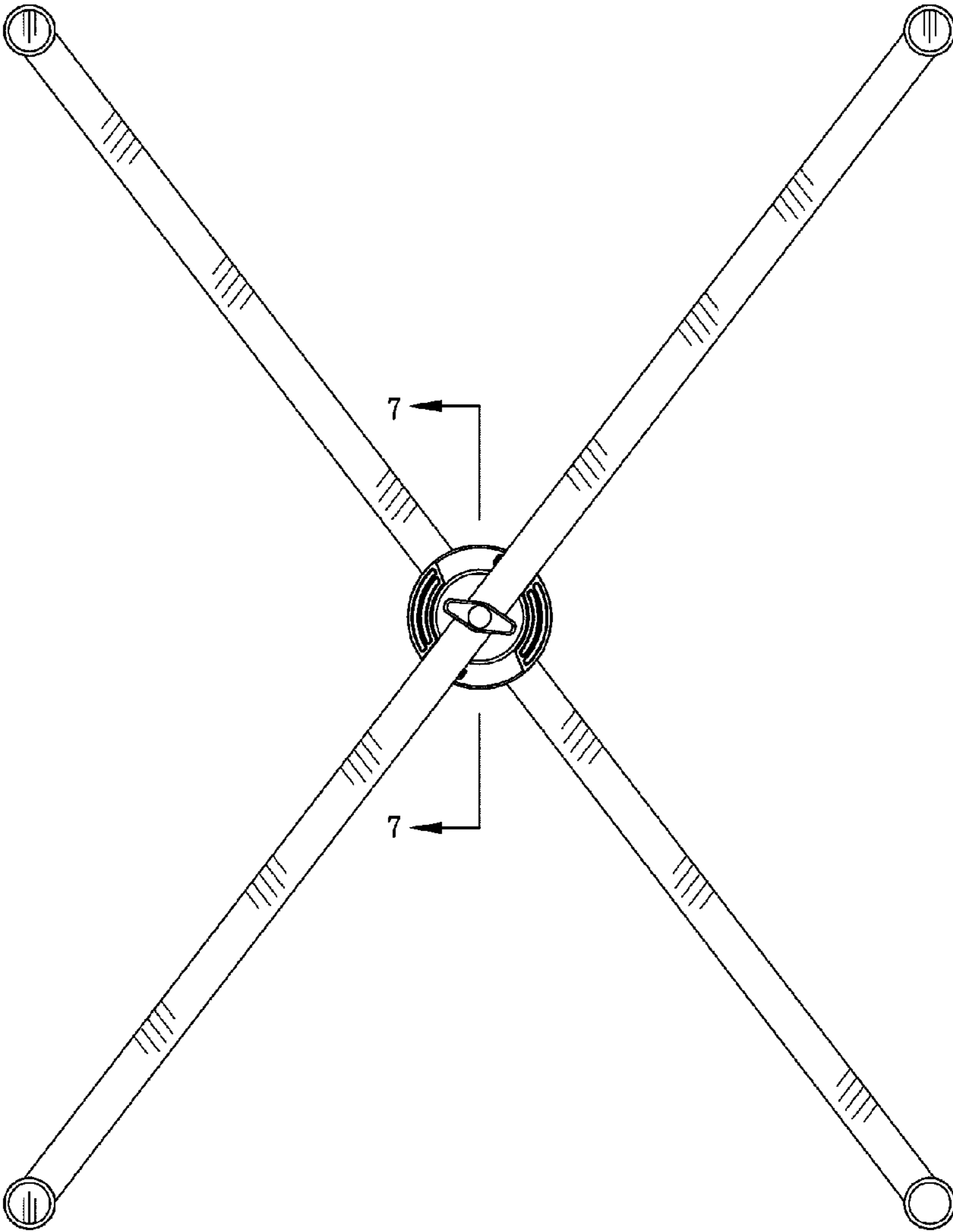


Fig. 2

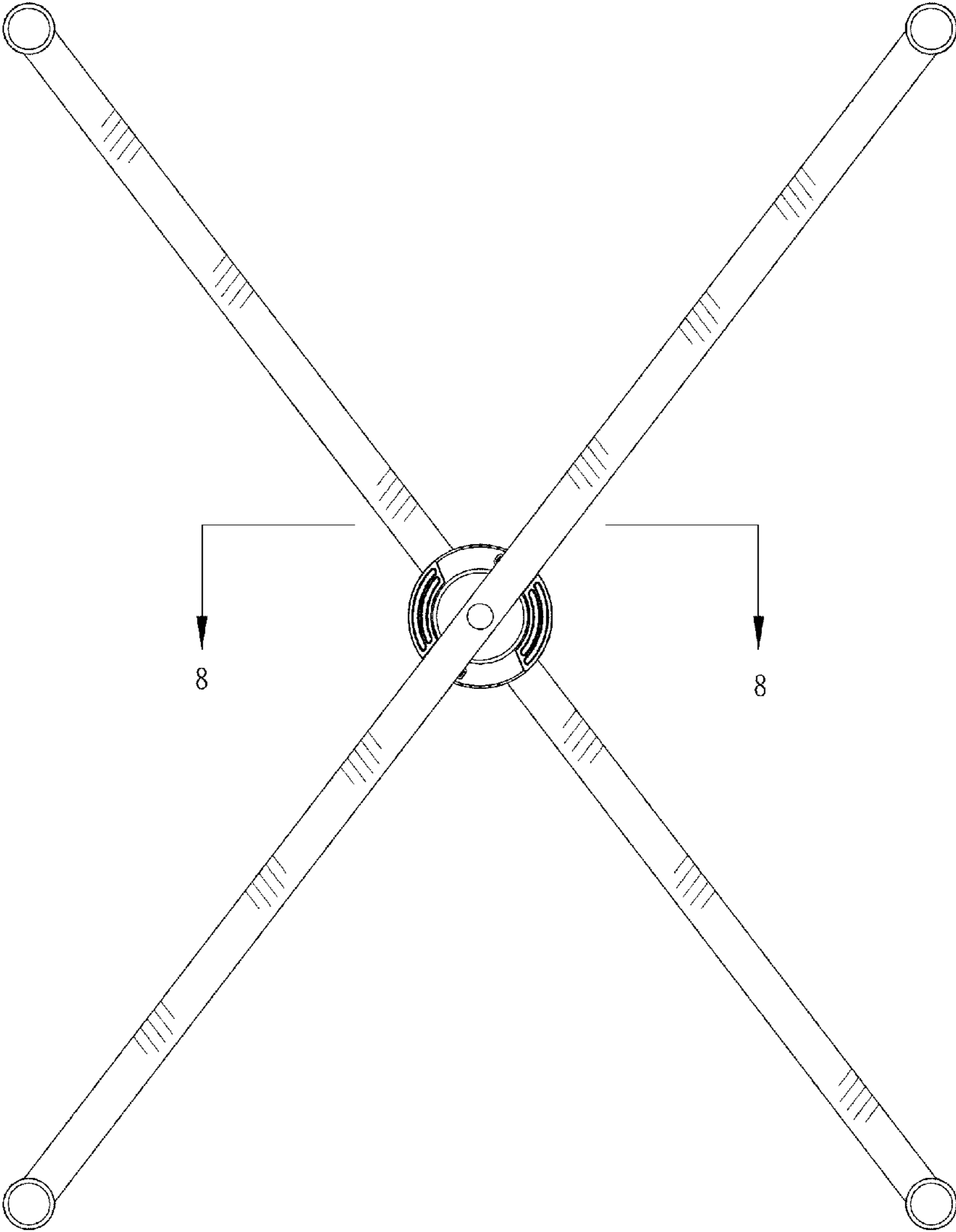


Fig. 3

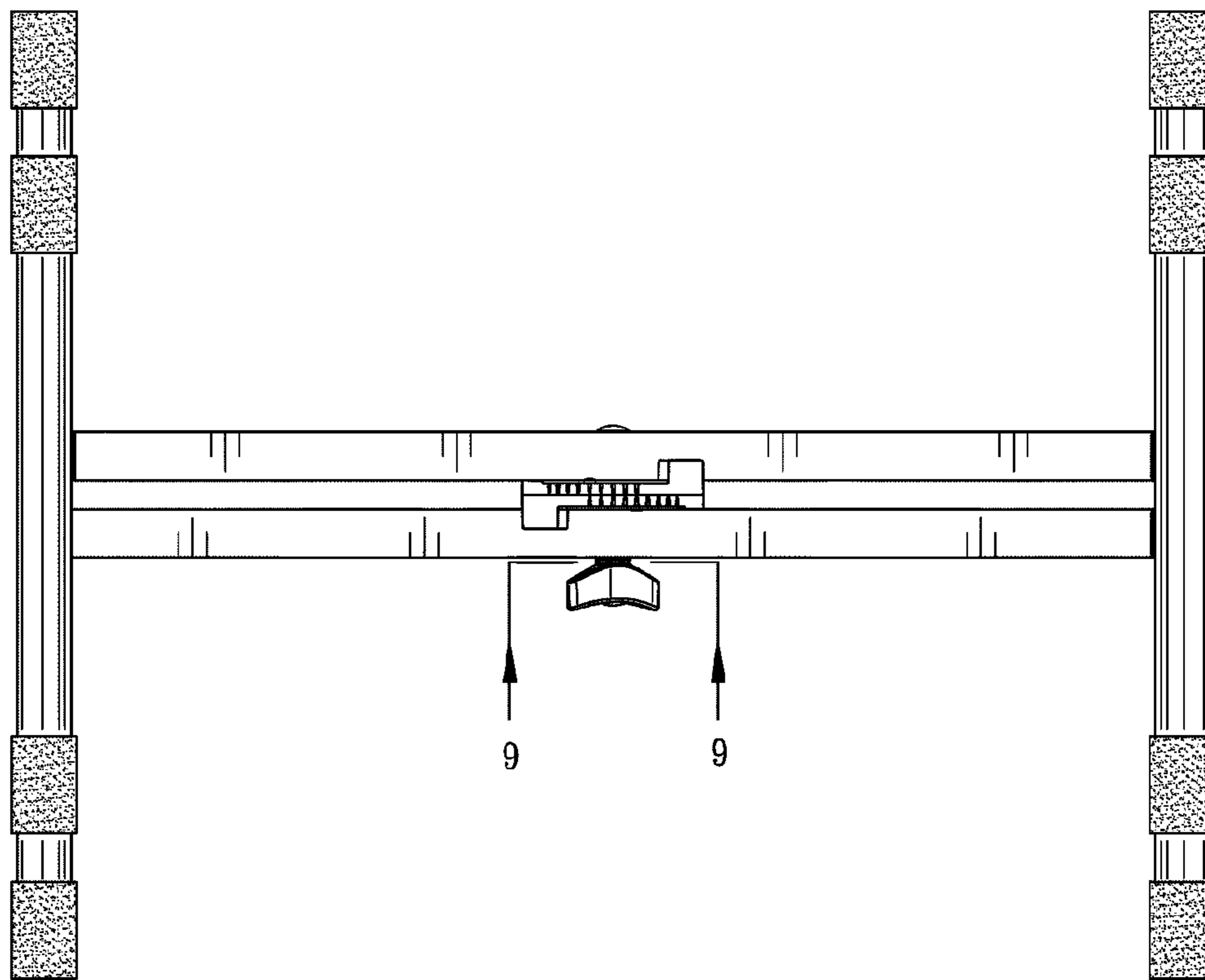


Fig. 4

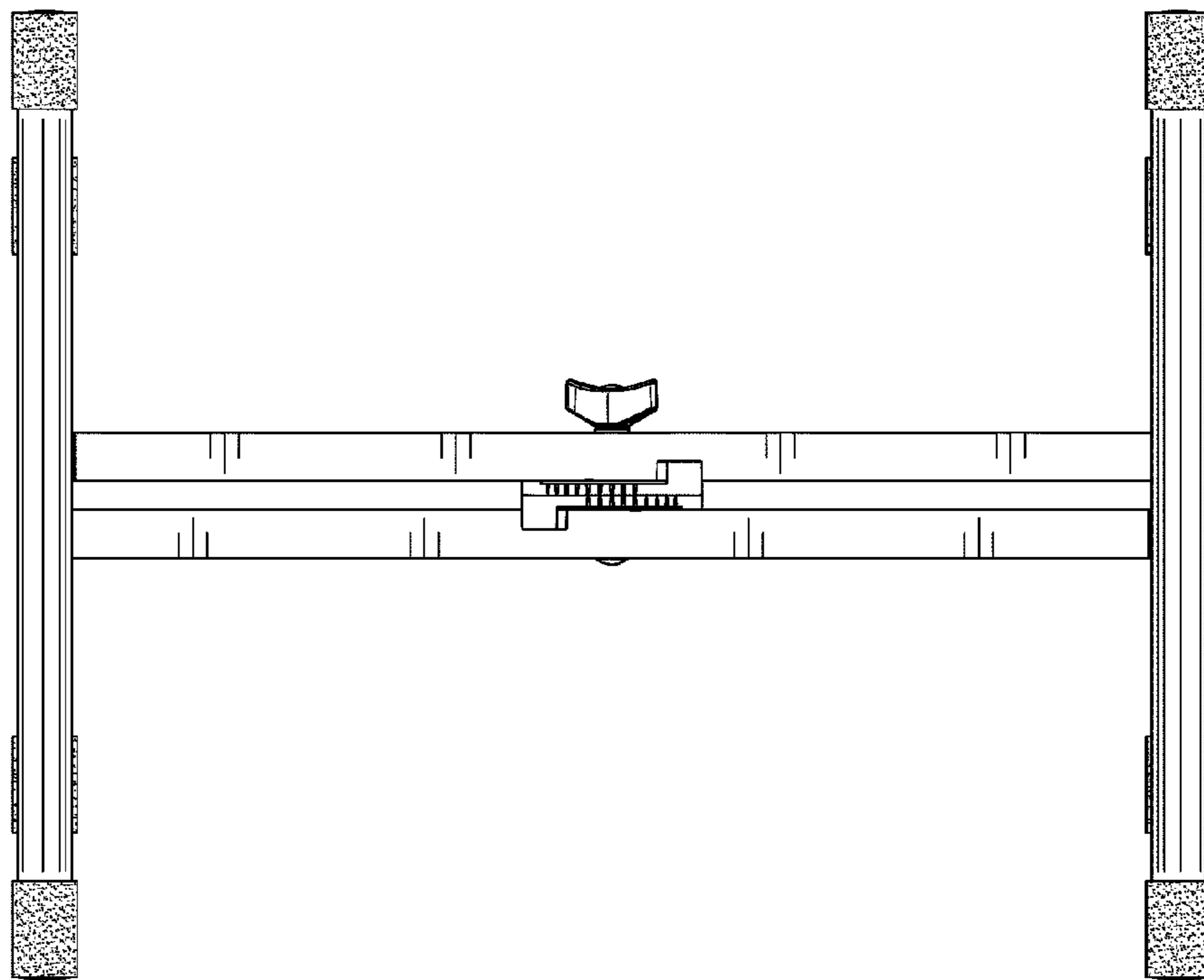


Fig. 5

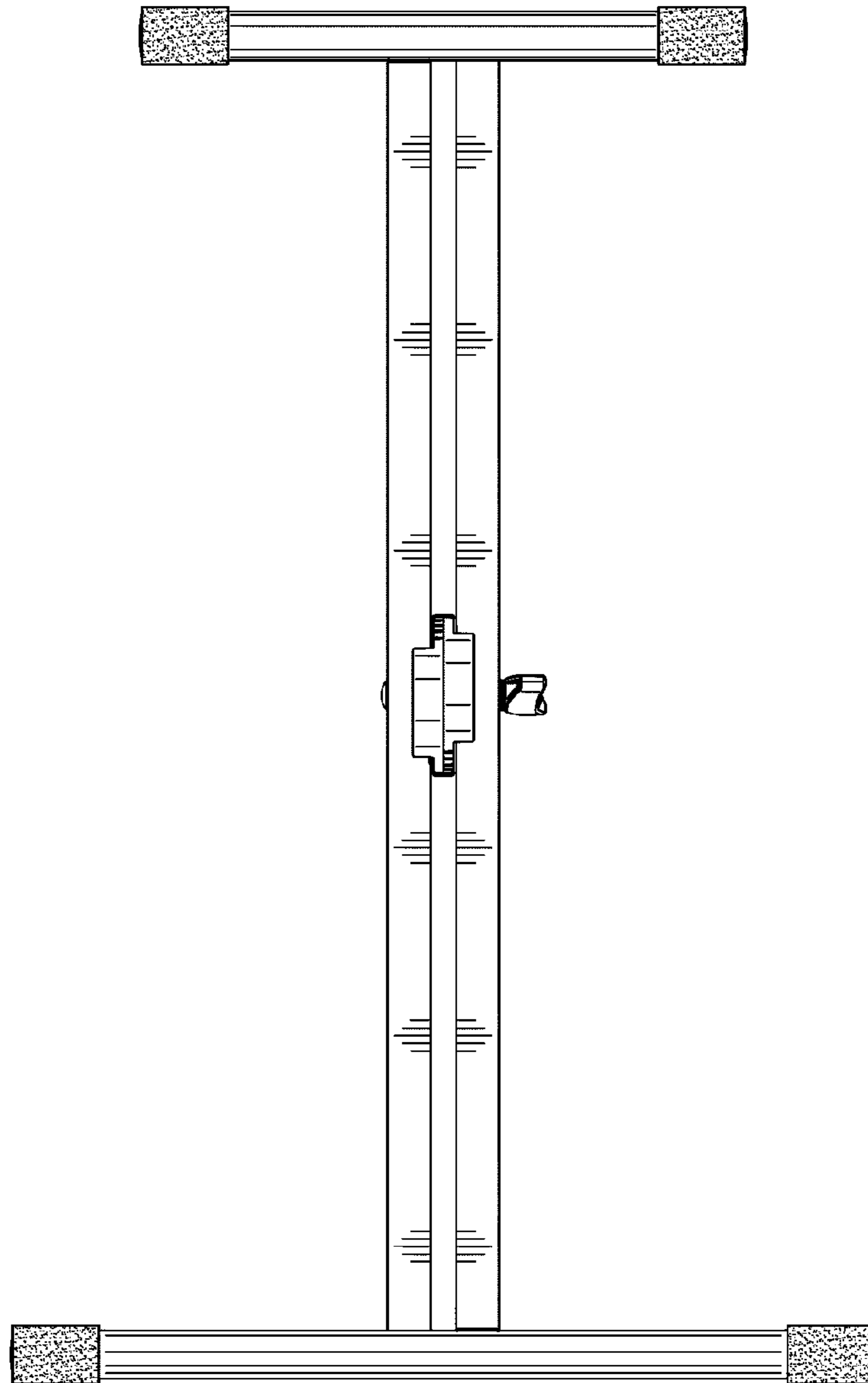


Fig. 6

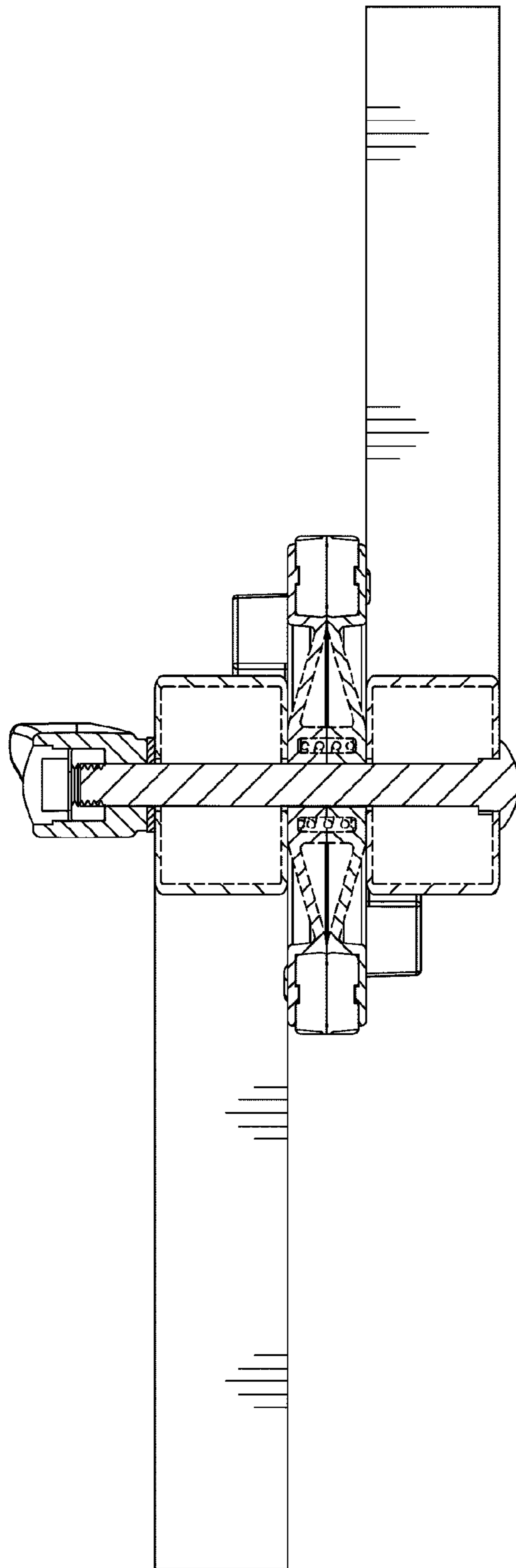


Fig. 7

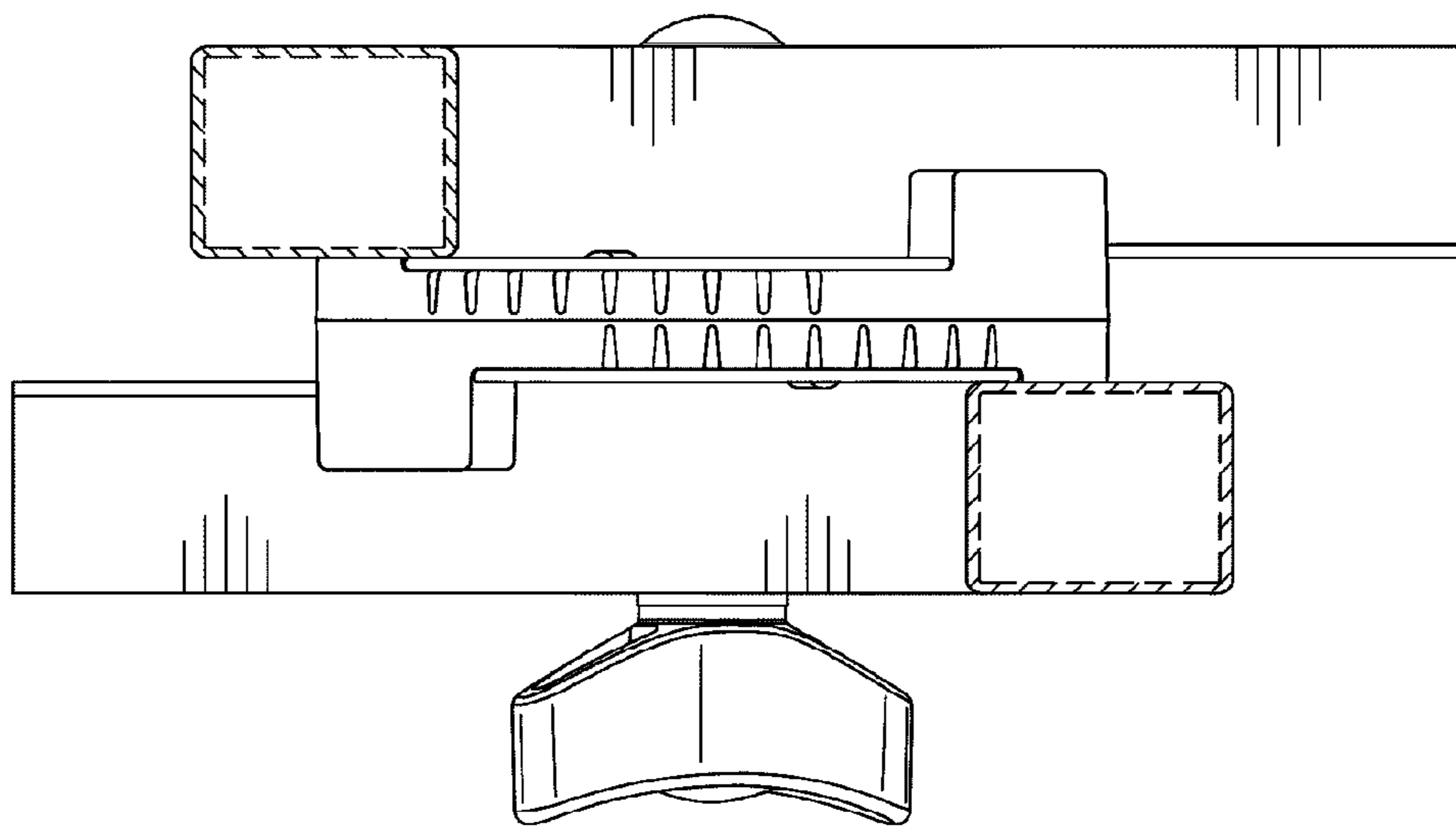


Fig. 8

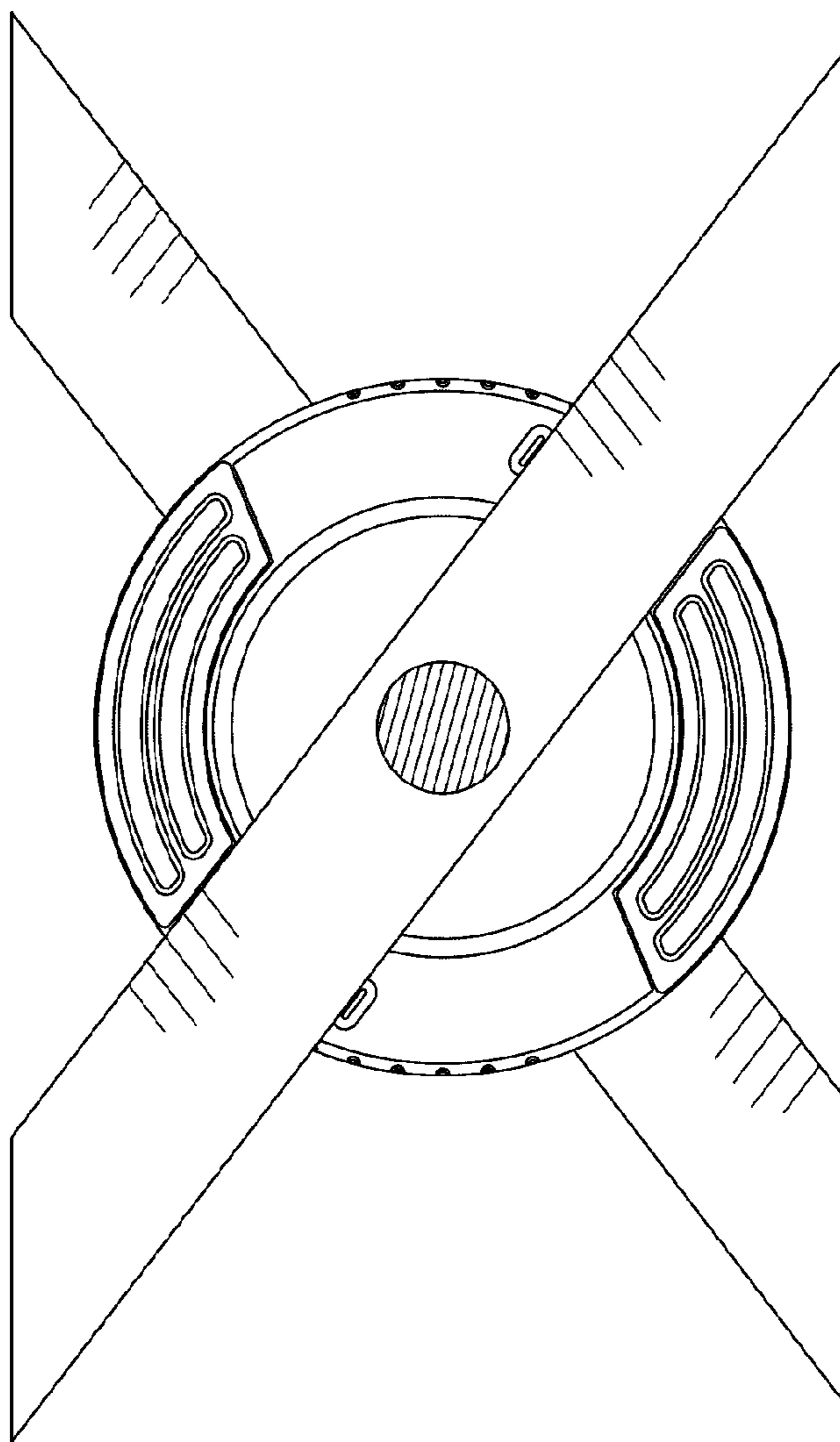


Fig. 9