

US00D648570S

(12) **United States Design Patent**
Koh

(10) **Patent No.:** **US D648,570 S**

(45) **Date of Patent:** **** Nov. 15, 2011**

(54) **WALL MOUNTING STAND FOR WHITEBOARD**

(75) Inventor: **Tuang Hock Koh**, Taichung (TW)

(73) Assignee: **Harvest-Excel International Pte. Ltd.**, Taichung

(**) Term: **14 Years**

(21) Appl. No.: **29/385,853**

(22) Filed: **Feb. 21, 2011**

(51) **LOC (9) Cl.** **06-04**

(52) **U.S. Cl.** **D6/462**

(58) **Field of Classification Search** D6/300,
D6/310, 312, 396, 697, 408-410, 429, 420,
D6/449, 450, 454-470, 553; 211/1, 10, 13.1,
211/65.5, 69.1, 70, 70.1, 70.6, 74, 77, 78,
211/85.1, 85.2, 85.4, 85.31, 86.01, 87.01,
211/126.9, 134, 191.1, 192; 248/125.8, 126,
248/127, 150, 447.7, 448, 449, 451
See application file for complete search history.

(56) **References Cited**

U.S. PATENT DOCUMENTS

476,133 A * 5/1892 Dickens 248/451
1,169,157 A * 1/1916 Honold 211/174

2,083,839 A * 6/1937 Grieve 248/448
2,454,148 A * 11/1948 Fought, Jr. 211/124
D213,376 S * 2/1969 Hermalin D6/312
D295,814 S * 5/1988 Chang D6/429
D298,041 S * 10/1988 Chang D17/9
D319,926 S * 9/1991 Solomon D6/312
5,494,251 A * 2/1996 Katz 248/449
D535,826 S * 1/2007 Toghanian D6/300
7,717,377 B1 * 5/2010 Corrado 248/150
D626,763 S * 11/2010 Koh D6/462
7,942,372 B2 * 5/2011 Koh 248/125.8

* cited by examiner

Primary Examiner — Mary Ann Calabrese

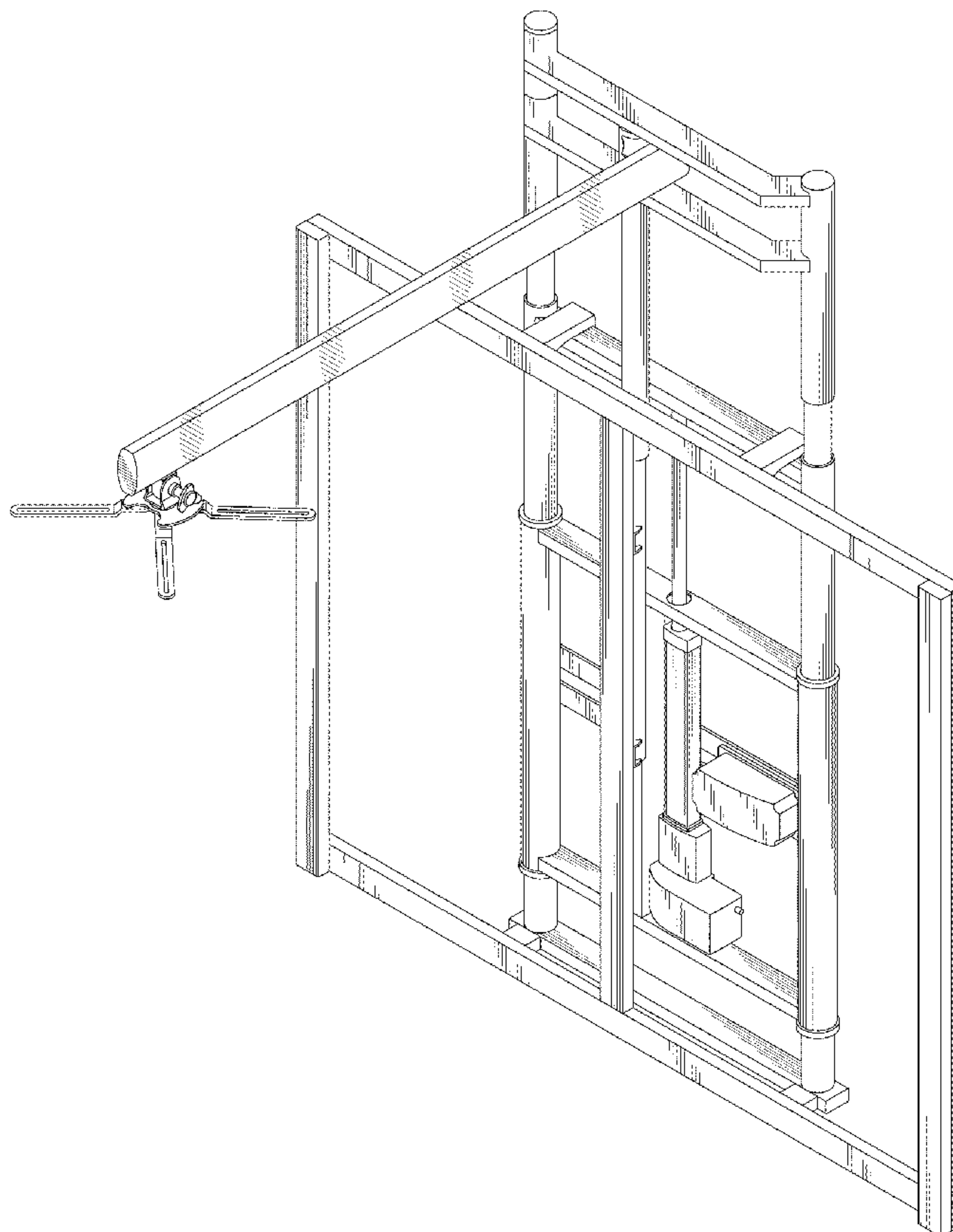
(57) **CLAIM**

The ornamental design for a wall mounting stand for whiteboard, as shown and described.

DESCRIPTION

FIG. 1 is a perspective view of a wall mounting stand for whiteboard showing my new design;
FIG. 2 is a front elevational view thereof;
FIG. 3 is a rear elevational view thereof;
FIG. 4 is a left side view thereof;
FIG. 5 is a right side view thereof;
FIG. 6 is a top plan view thereof; and,
FIG. 7 is a bottom plan view thereof.

1 Claim, 7 Drawing Sheets



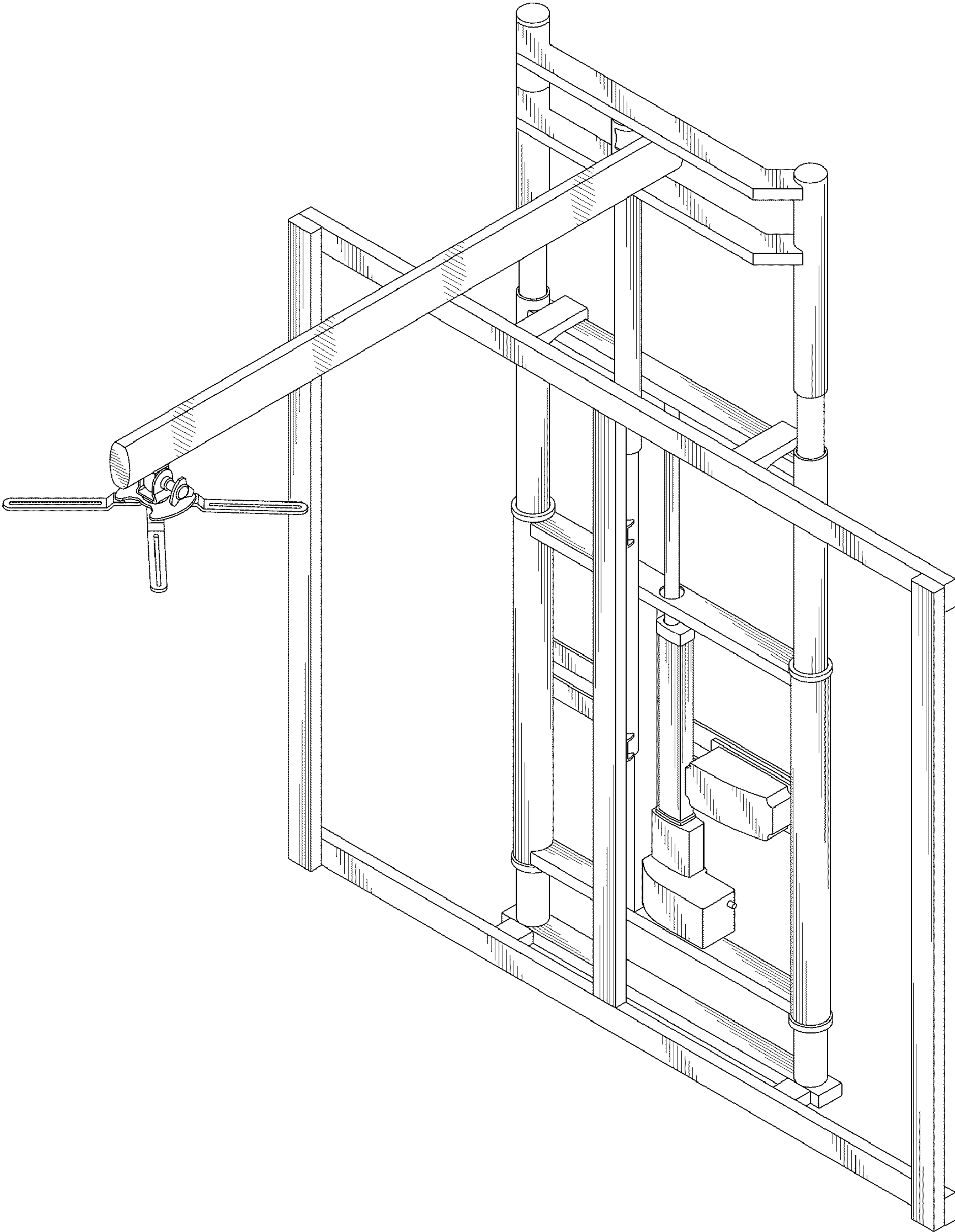


FIG. 1

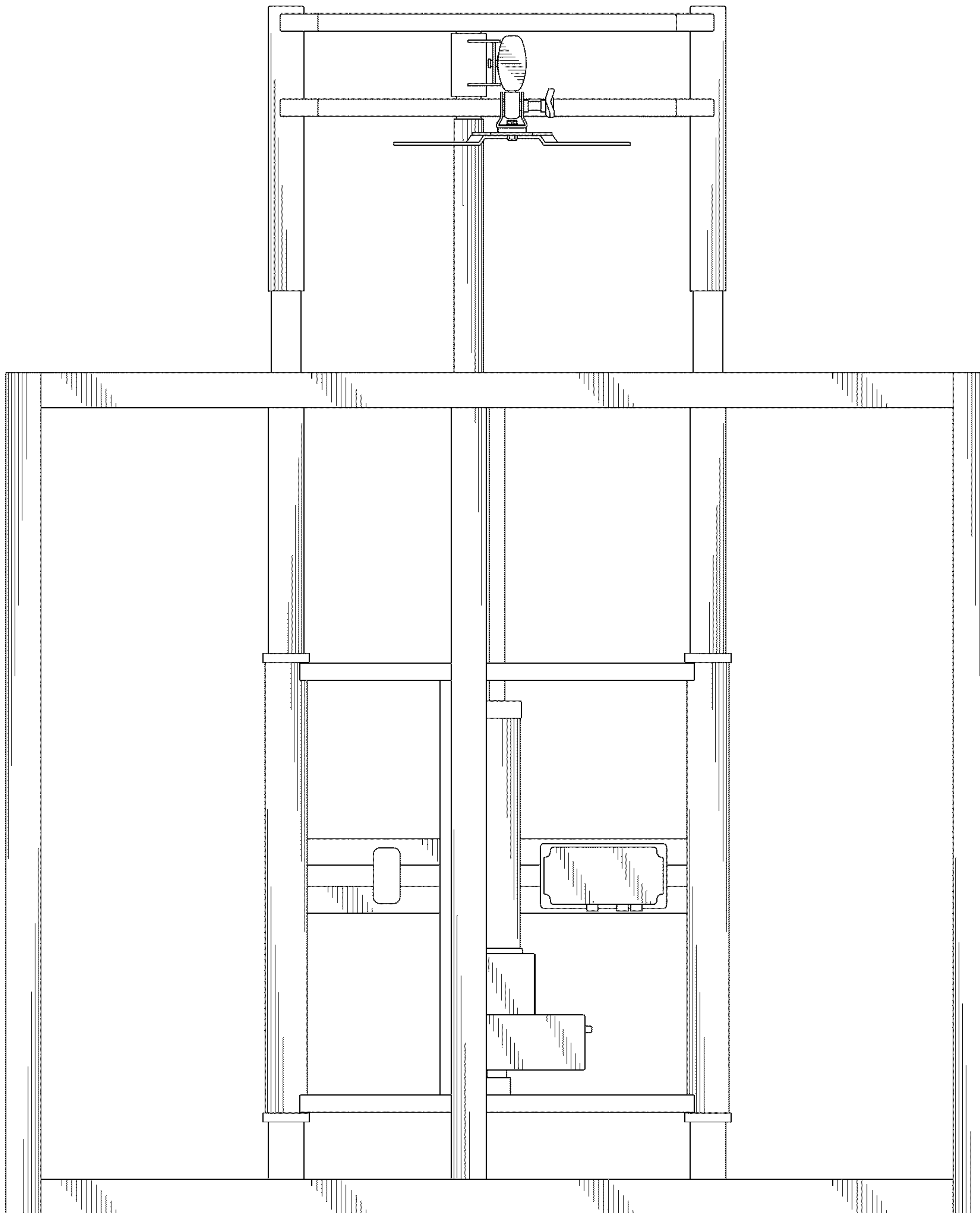


FIG. 2

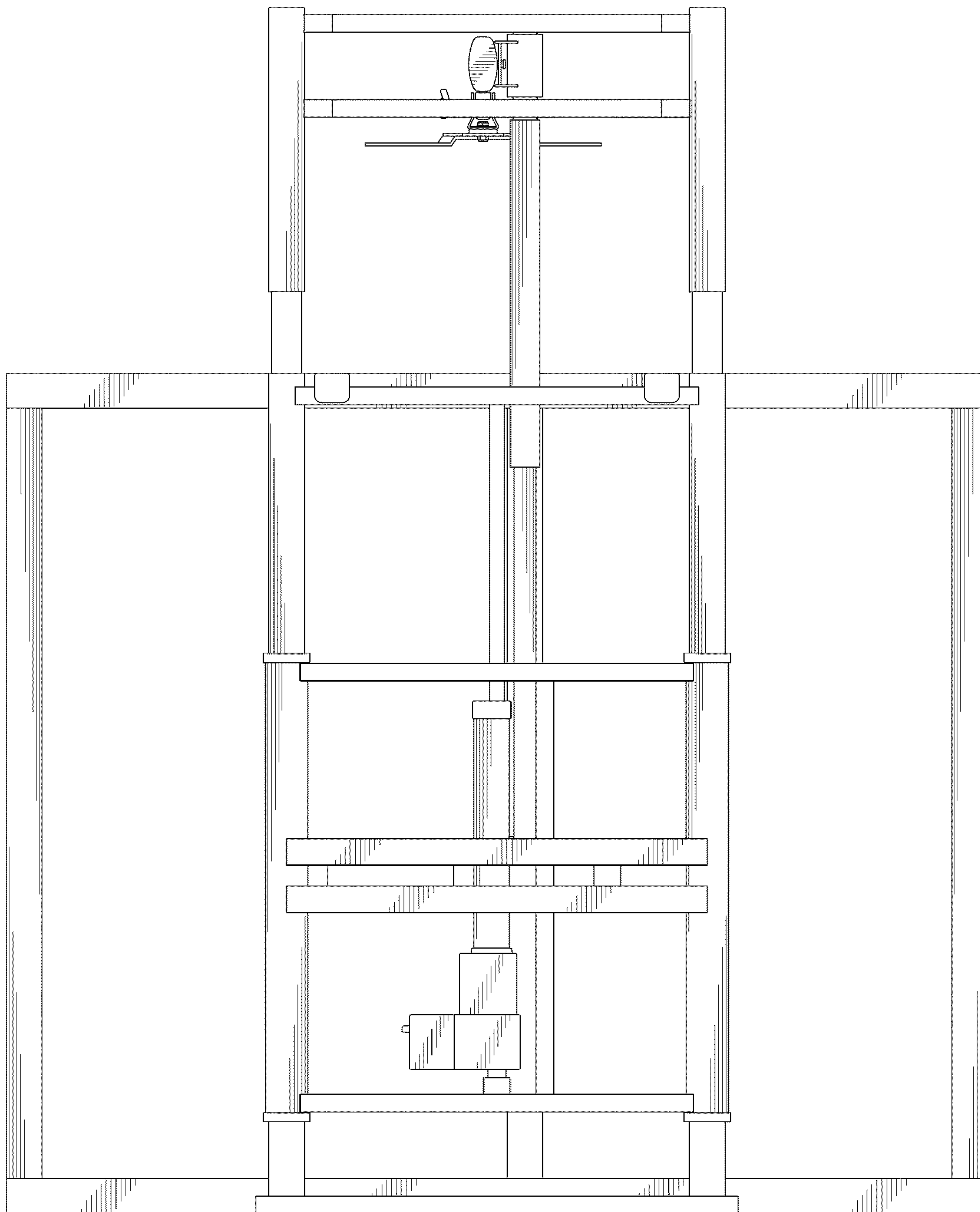


FIG. 3

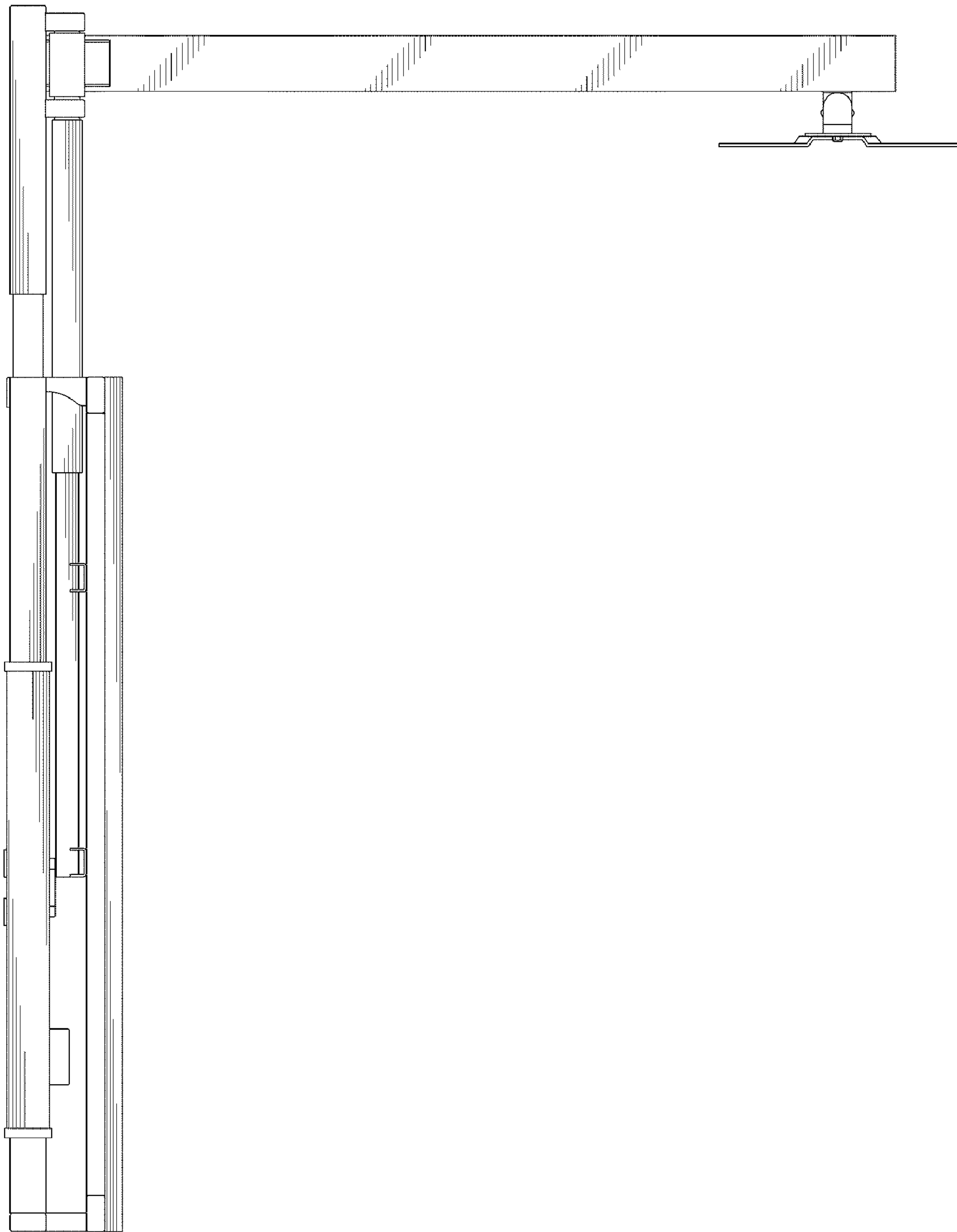


FIG. 4

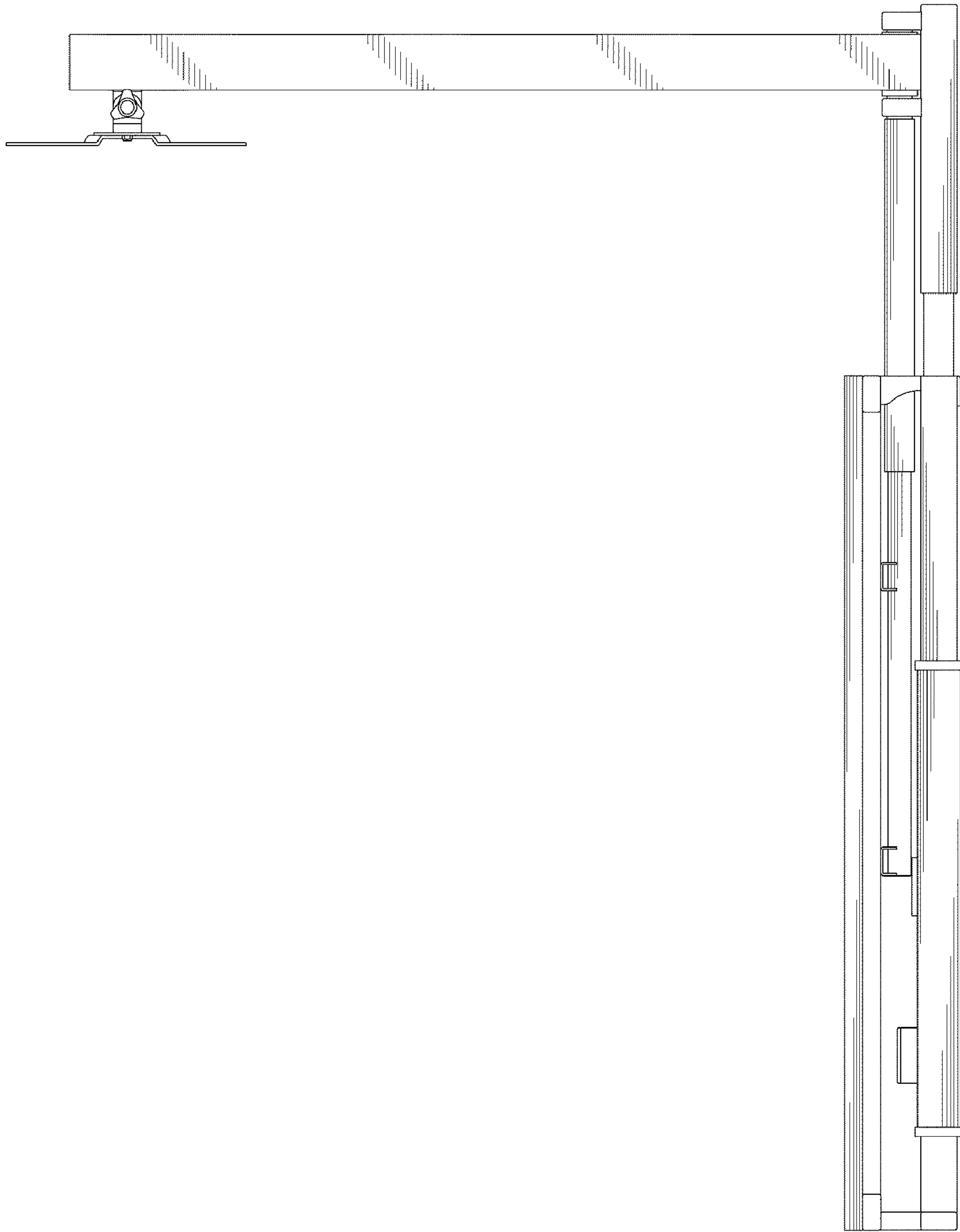


FIG. 5

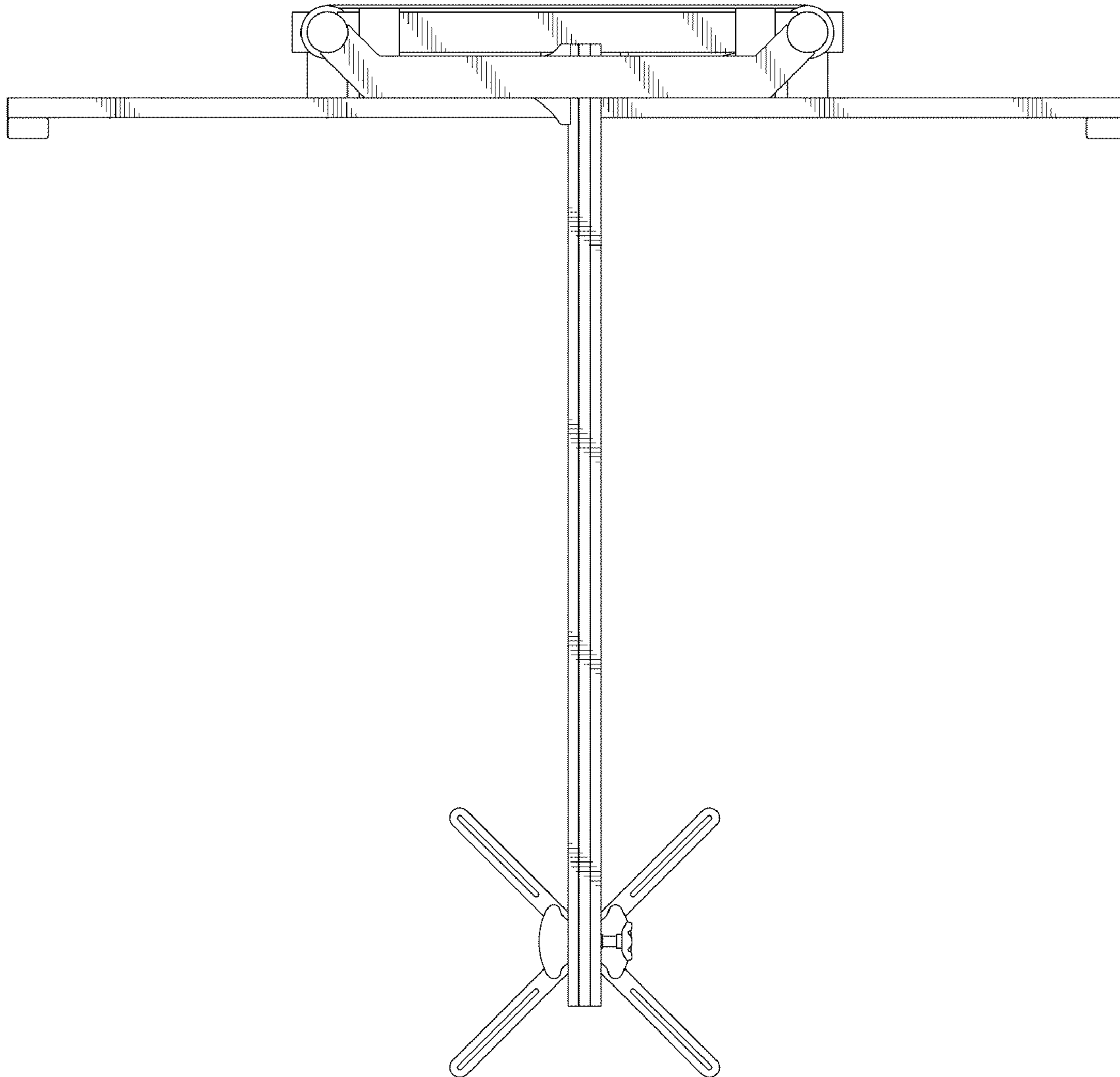


FIG. 6

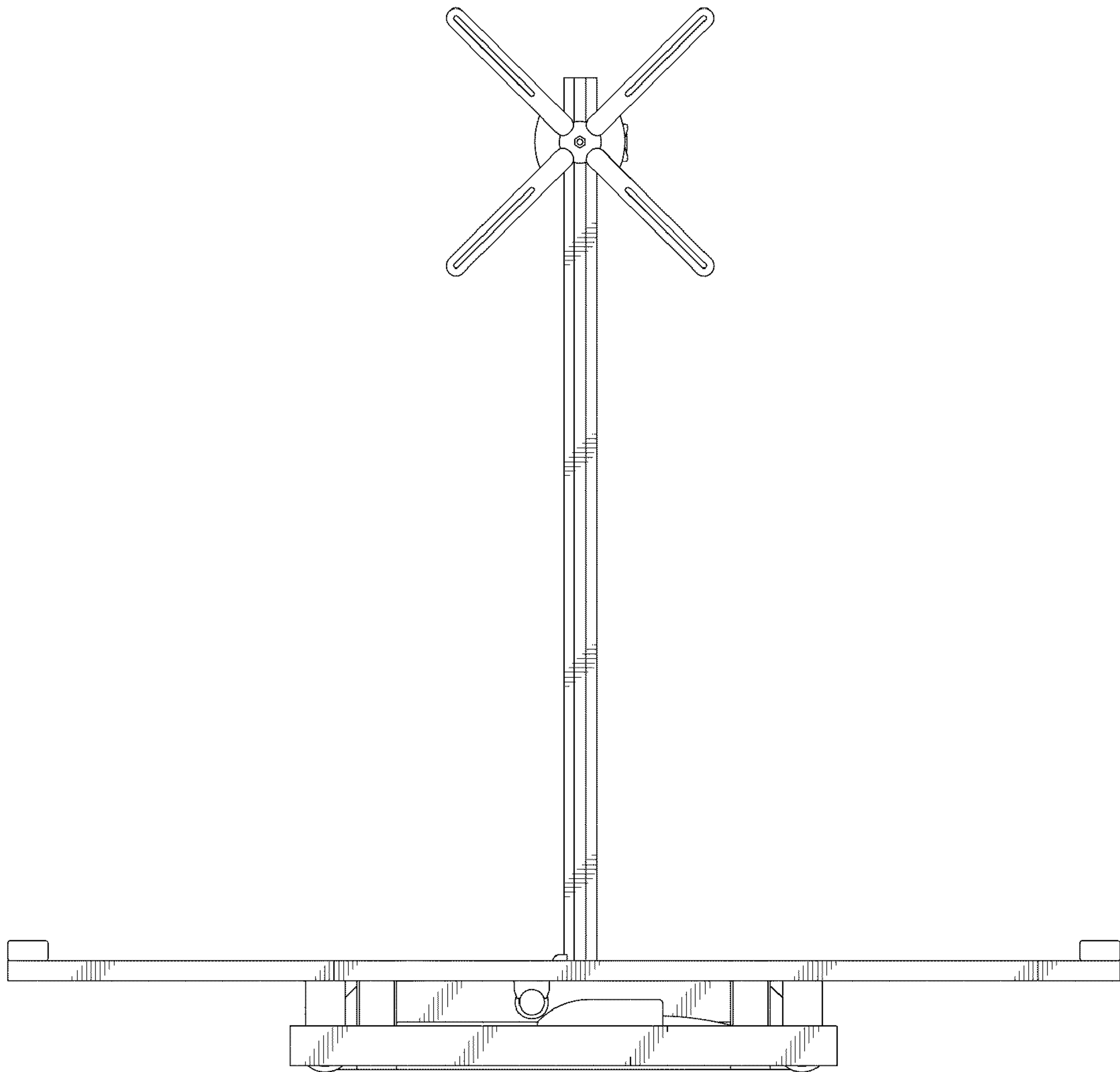


FIG. 7