

US00D648566S

(12) **United States Design Patent**
Sienkowski et al.

(10) **Patent No.:** **US D648,566 S**

(45) **Date of Patent:** **** Nov. 15, 2011**

(54) **CHAIR**

(75) Inventors: **Bruce A. Sienkowski**, Ada, MI (US);
Geoff J. Miller, Ada, MI (US);
Christopher R. Pabst, Marne, MI (US);
Daniel J. Gramza, Rockford, MI (US)

(73) Assignee: **Grand Rapids Chair Company**, Grand Rapids, MI (US)

(**) Term: **14 Years**

(21) Appl. No.: **29/361,773**

(22) Filed: **May 14, 2010**

(51) **LOC (9) Cl.** **06-02**

(52) **U.S. Cl.** **D6/380**

(58) **Field of Classification Search** D6/334-336,
D6/374-375, 379-380, 500-502; 297/445.1,
297/284.4, 411.27, 452.13, 452.19, 452.21,
297/452.29, 452.3, 452.56, 452.64

See application file for complete search history.

(56) **References Cited**

U.S. PATENT DOCUMENTS

2,134,639	A	10/1938	McGowen	
2,806,515	A	9/1957	Burst	
D182,426	S	4/1958	McCarthy et al.	
4,054,317	A	10/1977	Stumpf	
D259,841	S	* 7/1981	Mioni	D6/380
D289,469	S	* 4/1987	Tonon	D6/379
4,913,496	A	4/1990	Oke	
5,154,474	A	10/1992	Desanta	
D338,565	S	* 8/1993	Tihany	D6/363
D341,045	S	11/1993	Barile	
5,297,851	A	3/1994	Van Hekken	
D381,828	S	* 8/1997	Kemnitzner	D6/379
D382,150	S	8/1997	Balderi et al.	
D411,699	S	6/1999	Bond et al.	
D413,216	S	8/1999	Regan et al.	
D430,412	S	* 9/2000	Lewis	D6/334
6,135,562	A	10/2000	Infanti	
D438,718	S	* 3/2001	Hutton	D6/334
D457,744	S	* 5/2002	Lewis	D6/380

D464,493	S	* 10/2002	Stannard	D6/368
6,471,293	B2	10/2002	Ware et al.	
D469,621	S	2/2003	Kita	
6,679,551	B2	1/2004	Ware et al.	
D494,375	S	8/2004	Starck	
D496,173	S	9/2004	Starck	
D496,547	S	9/2004	Gasser	
6,820,934	B2	11/2004	Ware et al.	

(Continued)

OTHER PUBLICATIONS

Commonly assigned co-pending U.S. Appl. No. 29/361,770, filed May 14, 2010, entitled Chair.

(Continued)

Primary Examiner — Elizabeth Albert

Assistant Examiner — Kelley Donnelly

(74) *Attorney, Agent, or Firm* — Gardner, Linn, Burkhardt & Flory, LLP

(57) **CLAIM**

The ornamental design for the chair, substantially as shown and described.

DESCRIPTION

FIG. 1 is a perspective view of the chair according to the present invention;

FIG. 2 is a right side elevation view thereof;

FIG. 3 is a left side elevation view thereof;

FIG. 4 is a front elevation view thereof;

FIG. 5 is a rear elevation view thereof;

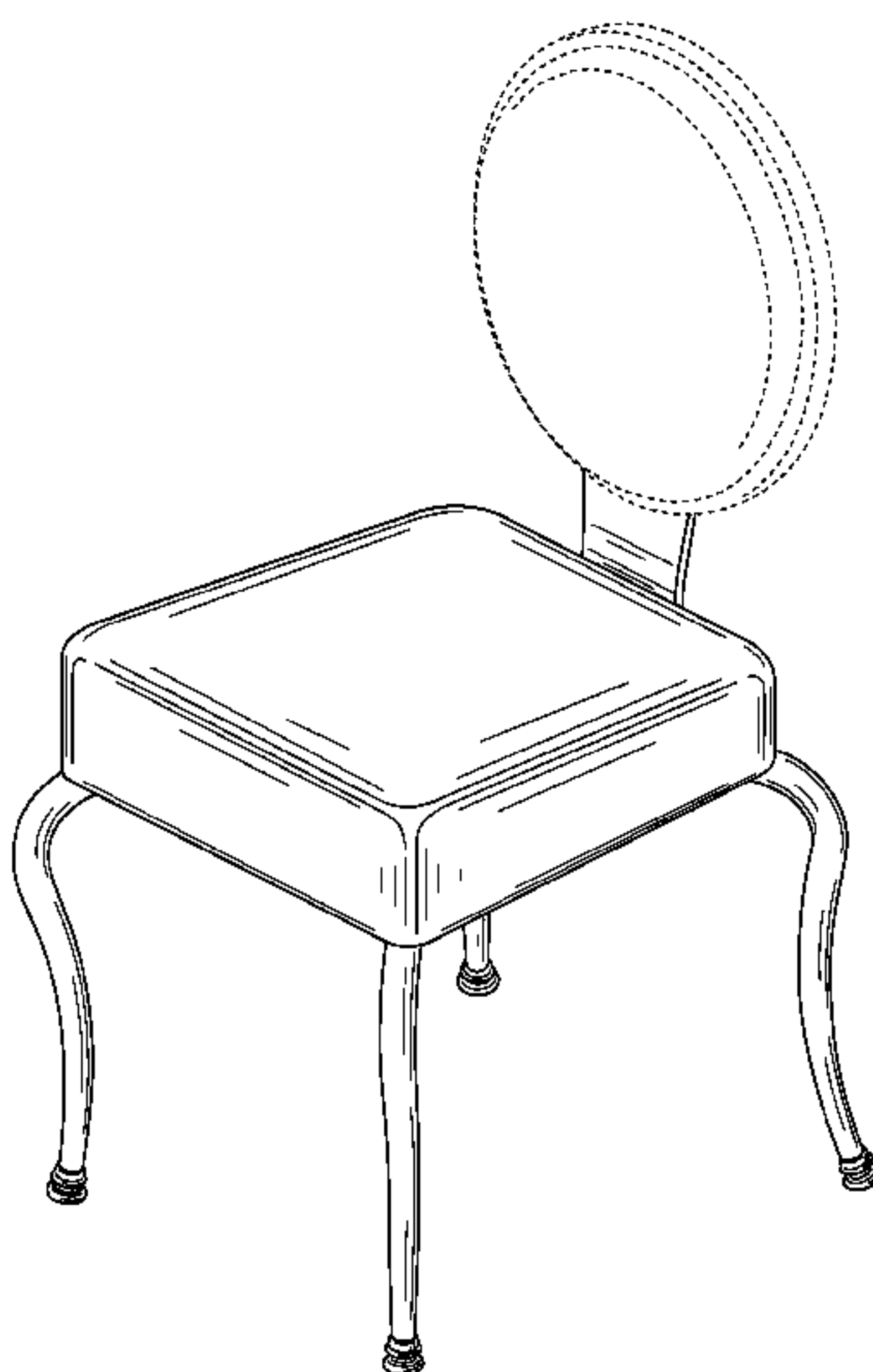
FIG. 6 is a top plan view thereof; and,

FIG. 7 is a bottom plan view thereof.

The broken lines showing in FIGS. 1-7 of the seat back and the design feature on the bottom of the chair in FIGS. 2, 3, 4, and 7 are included for the purpose of illustrating environment of the design and form no part of the claimed design.

The heavy black dotted line that defines the bounds of the claimed design forms no part thereof.

1 Claim, 7 Drawing Sheets



US D648,566 S

Page 2

U.S. PATENT DOCUMENTS

D502,331 S 3/2005 Socha, Jr. et al.
D506,338 S 6/2005 Gasser
D512,236 S * 12/2005 Preisig D6/374
D515,330 S * 2/2006 Lucci et al. D6/380
D515,340 S 2/2006 Gasser
D517,357 S 3/2006 Gasser
7,014,268 B2 3/2006 Socha, Jr. et al.
D521,264 S 5/2006 Ware et al.
D544,227 S 6/2007 Bartlmae
D544,228 S 6/2007 Bartlmae
D544,229 S 6/2007 Bartlmae
D544,236 S 6/2007 Swy et al.
D574,624 S * 8/2008 Bartlmae D6/374
D574,641 S 8/2008 Bongaerts
D581,686 S 12/2008 Miller et al.
D581,688 S 12/2008 Miller et al.
D587,043 S * 2/2009 Adams et al. D6/500
D602,278 S 10/2009 Kubryk

D607,657 S * 1/2010 Kubryk D6/380
D608,105 S * 1/2010 Kubryk D6/380
D610,379 S * 2/2010 Muller D6/502
D610,844 S * 3/2010 Muller D6/502
D611,266 S * 3/2010 Kubryk D6/374
D618,006 S * 6/2010 Price et al. D6/380
D635,790 S * 4/2011 Saul D6/380
2003/0164639 A1 9/2003 Infanti

OTHER PUBLICATIONS

Commonly assigned co-pending U.S. Appl. No. 29/361,884, filed May 17, 2010, entitled Chair.

Commonly assigned co-pending U.S. Appl. No. 29/355,748, filed Feb. 12, 2010, entitled Chair.

A-1: Drawing dated Sep. 12, 2009, of a prior art chair design marketed by the present Assignee.

* cited by examiner

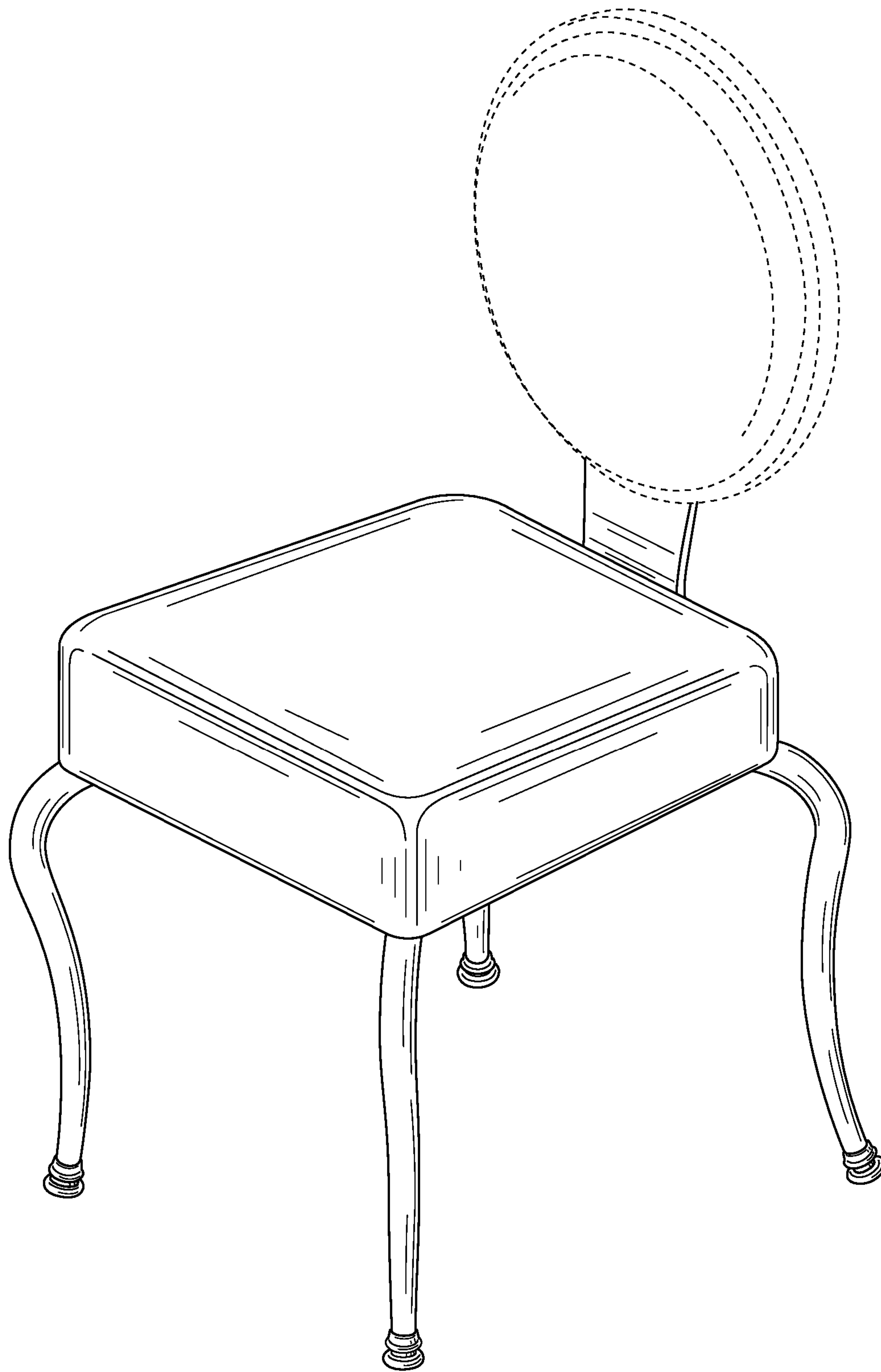


FIG. 1

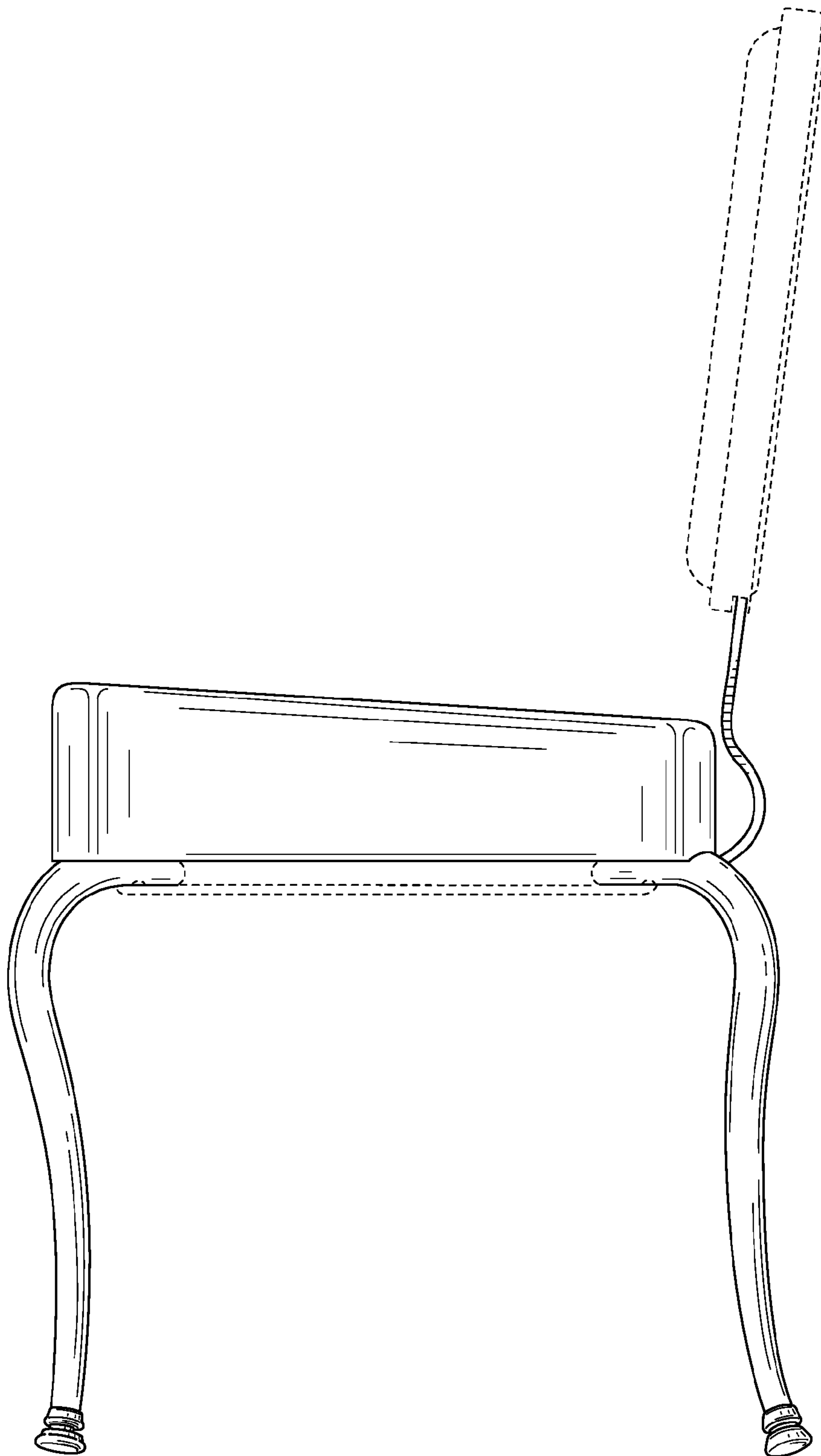


FIG. 2

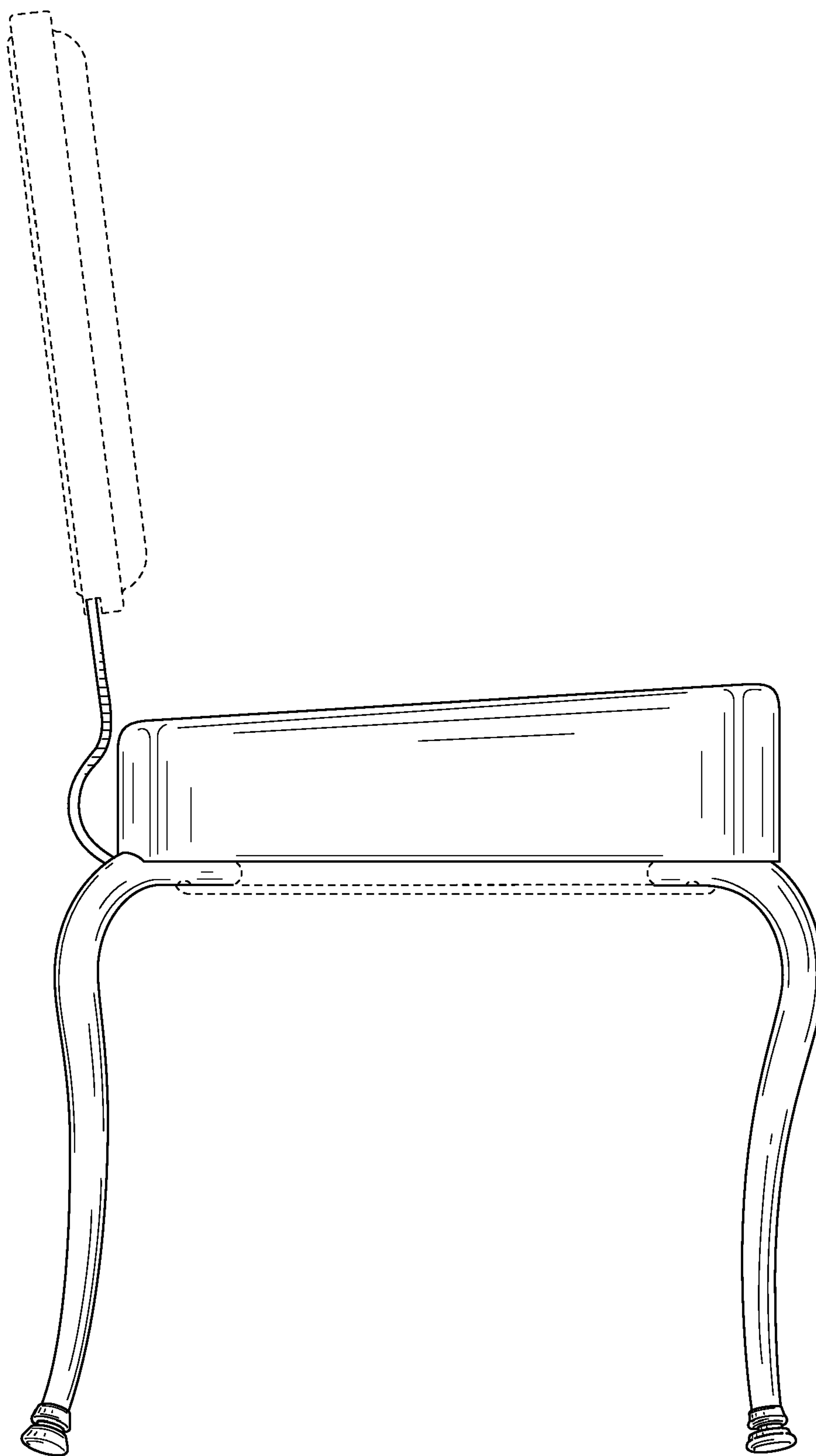


FIG. 3

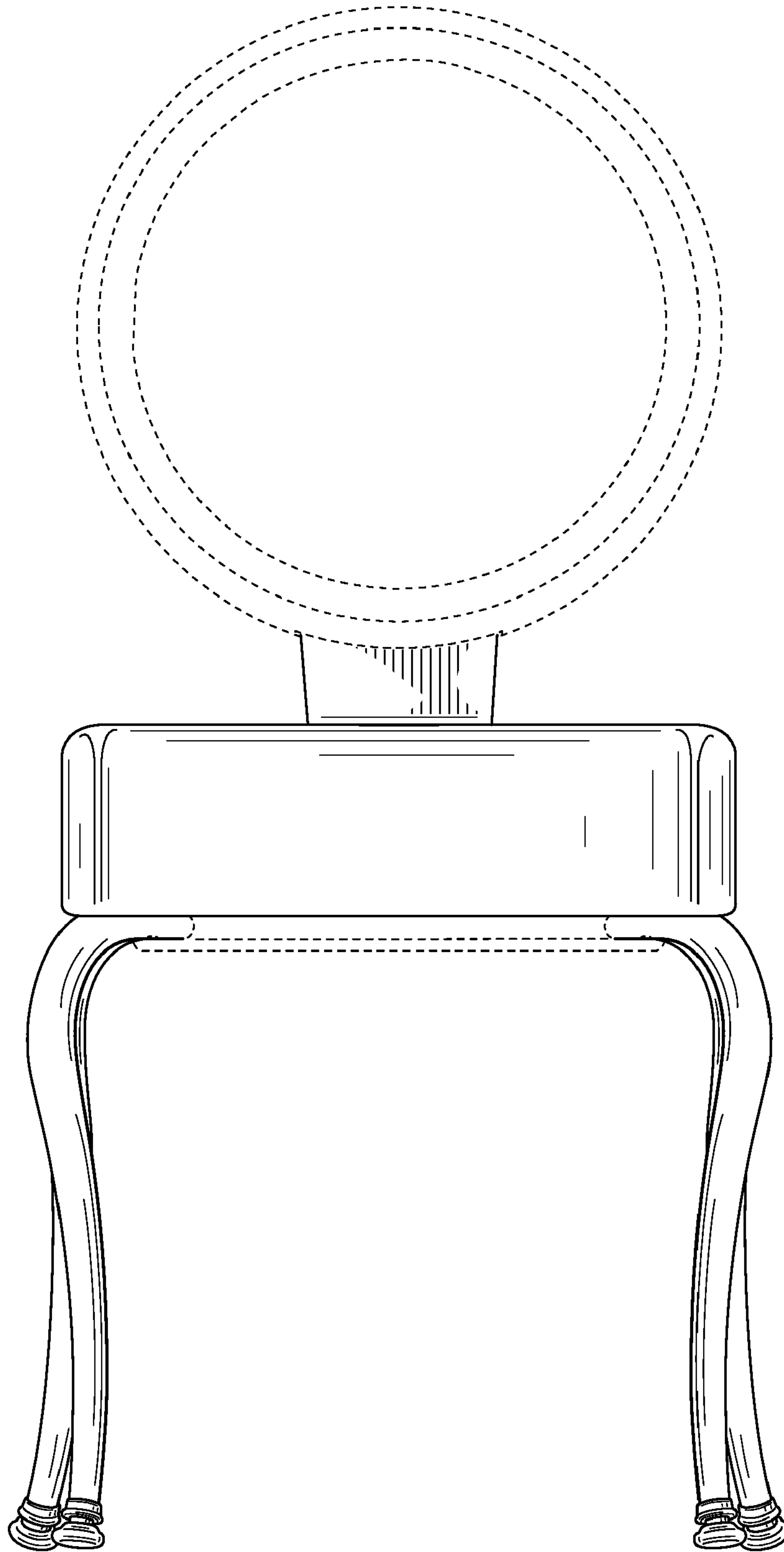


FIG. 4

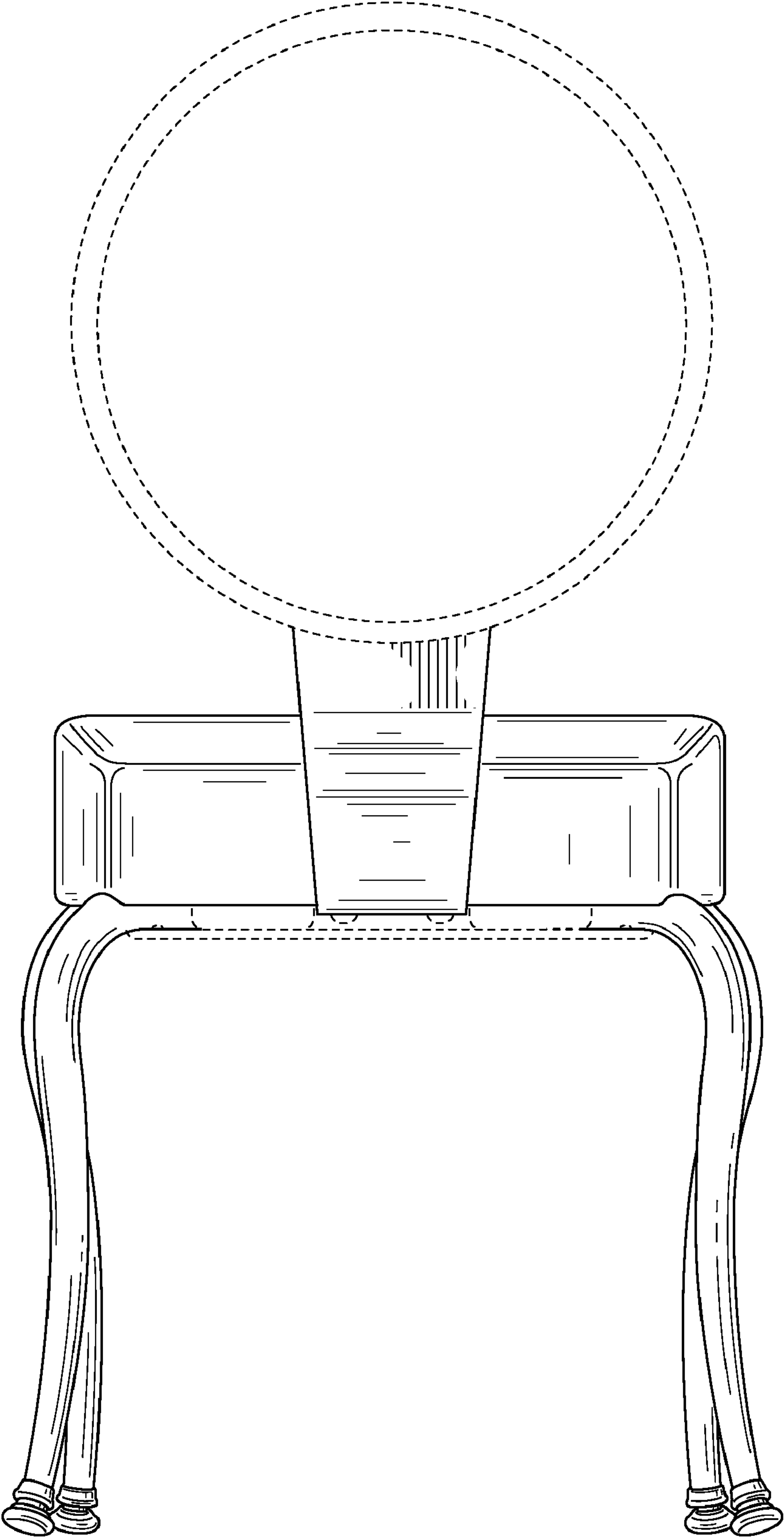


FIG. 5

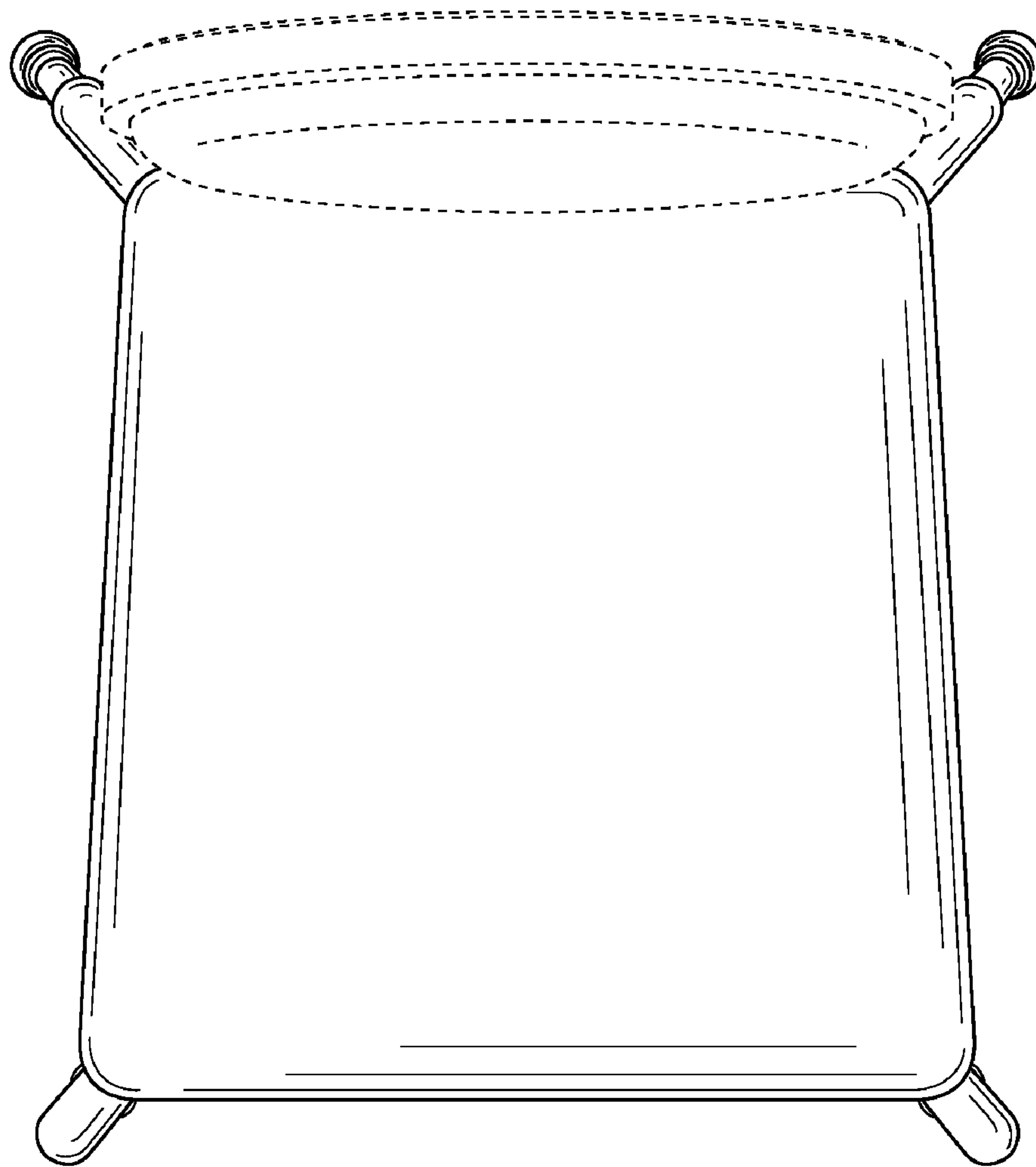


FIG. 6

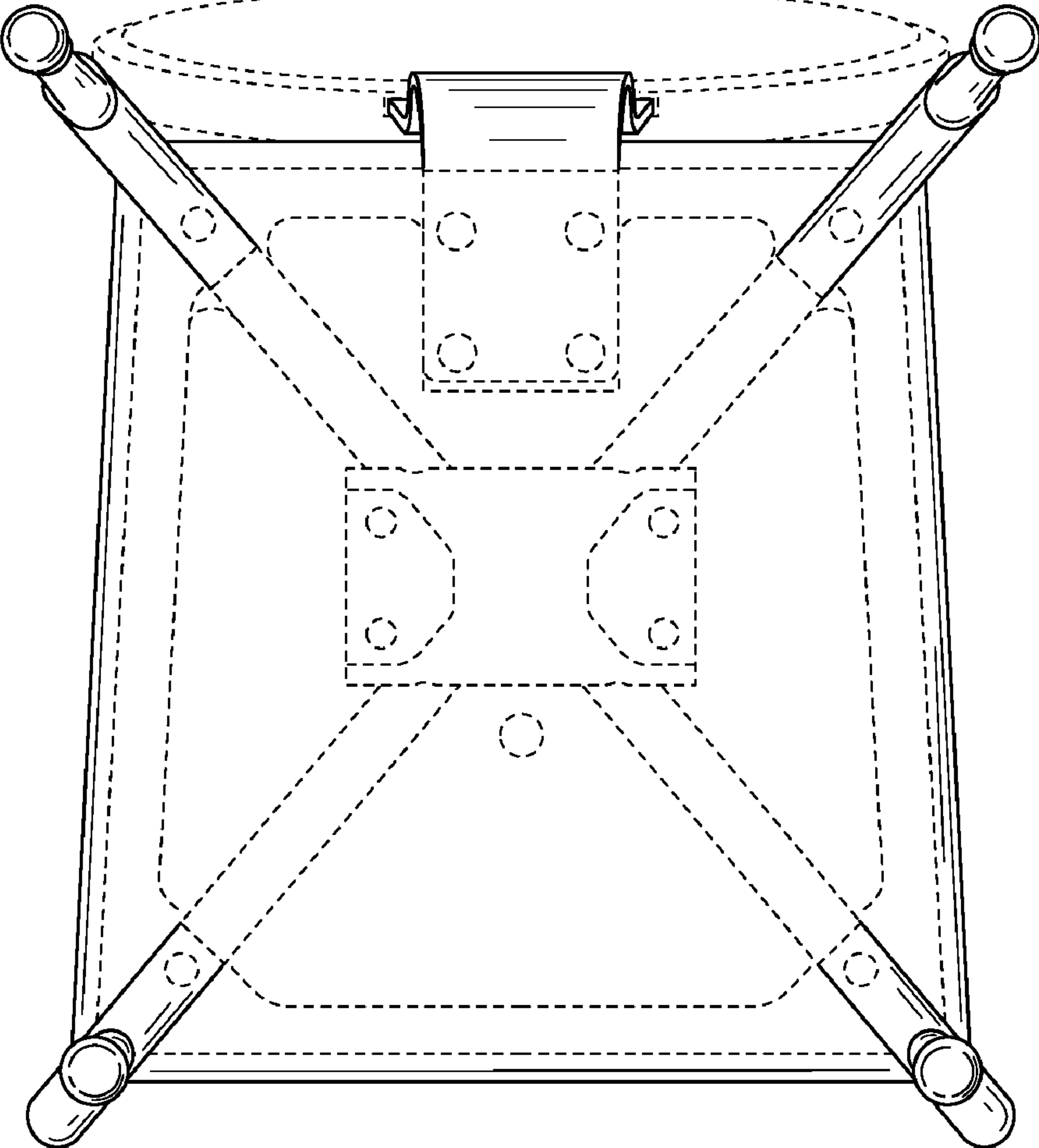


FIG. 7