



US00D648565S

(12) **United States Design Patent**
Frinier

(10) **Patent No.:** **US D648,565 S**

(45) **Date of Patent:** **** Nov. 15, 2011**

(54) **DAYBED**

(75) **Inventor:** **Richard Frinier**, Long Beach, CA (US)

(73) **Assignee:** **DEDON GmbH**, Luneburg (DE)

(**) **Term:** **14 Years**

(21) **Appl. No.:** **29/378,019**

(22) **Filed:** **Oct. 28, 2010**

(30) **Foreign Application Priority Data**

Aug. 5, 2010 (EM) 001740267

(51) **LOC (9) Cl.** **06-01**

(52) **U.S. Cl.** **D6/377; D6/369**

(58) **Field of Classification Search** D6/334,
D6/335, 336, 360, 361, 369, 377, 378, 381,
D6/500-502; 297/232, 423.1, 451.9, 452.64

See application file for complete search history.

(56) **References Cited**

U.S. PATENT DOCUMENTS

D181,989 S *	1/1958	Lubberts et al.	D6/377
D344,860 S *	3/1994	McGuire	D6/369
D393,754 S *	4/1998	Marks	D6/361
D416,704 S *	11/1999	Mourgue	D6/377
D431,381 S *	10/2000	Gomez	D6/361

* cited by examiner

Primary Examiner — Mimoso De

(74) *Attorney, Agent, or Firm* — C. Brandon Browning;
Maynard Cooper & Gale, PC

(57) **CLAIM**

The ornamental design for a daybed, as shown and described.

DESCRIPTION

FIG. 1 is a rear perspective view of a daybed in accordance with the present invention.

FIG. 2 is a side elevational view of the daybed of FIG. 1.

FIG. 3 is a side elevational view of the daybed of FIG. 1.

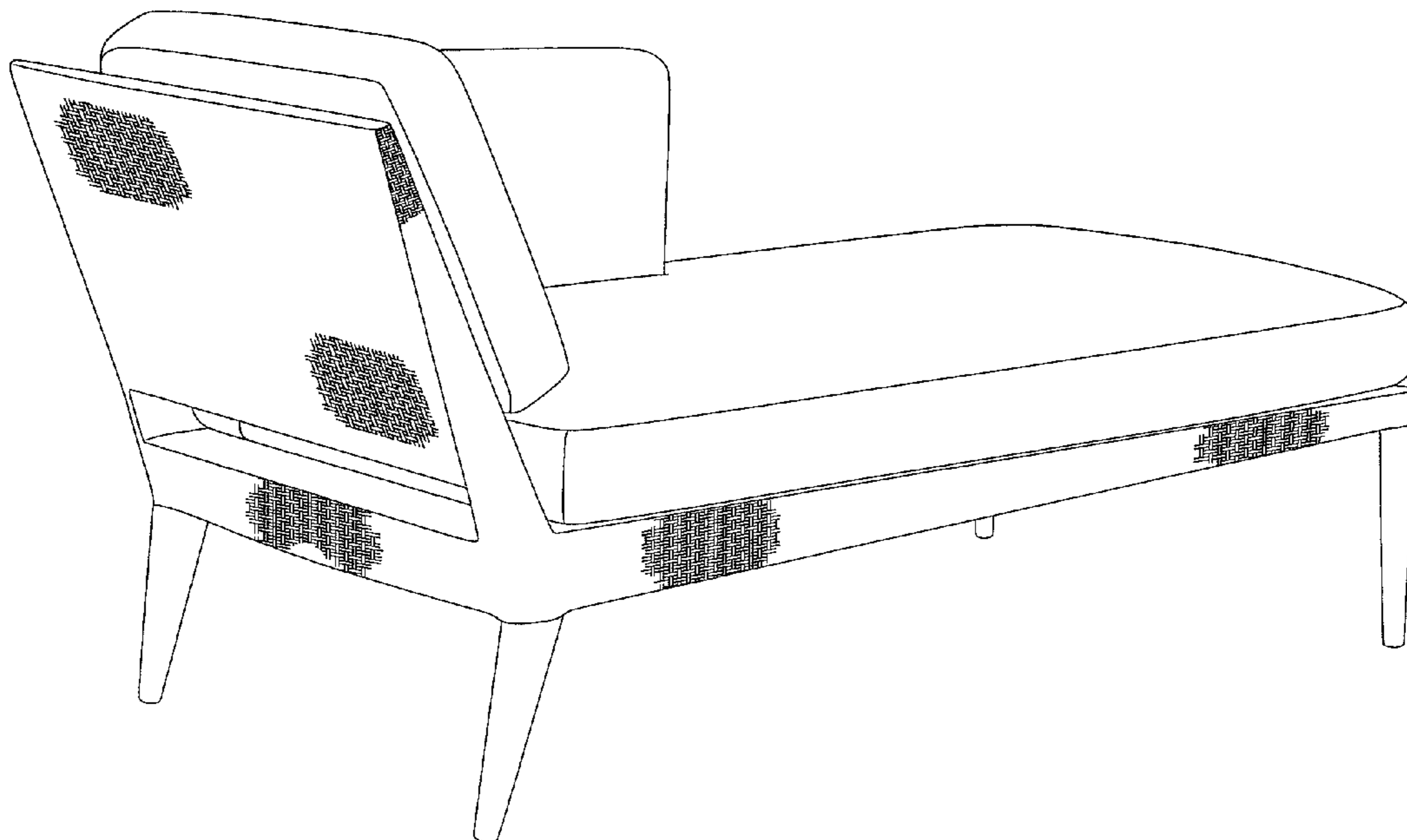
FIG. 4 is a front elevational view of the daybed of FIG. 1.

FIG. 5 is a rear elevational view of the daybed of FIG. 1; and,

FIG. 6 is a top plan view of the daybed of FIG. 1.

The fragmented depictions of weave pattern shown in the views are understood to repeat throughout the areas shown.

1 Claim, 5 Drawing Sheets



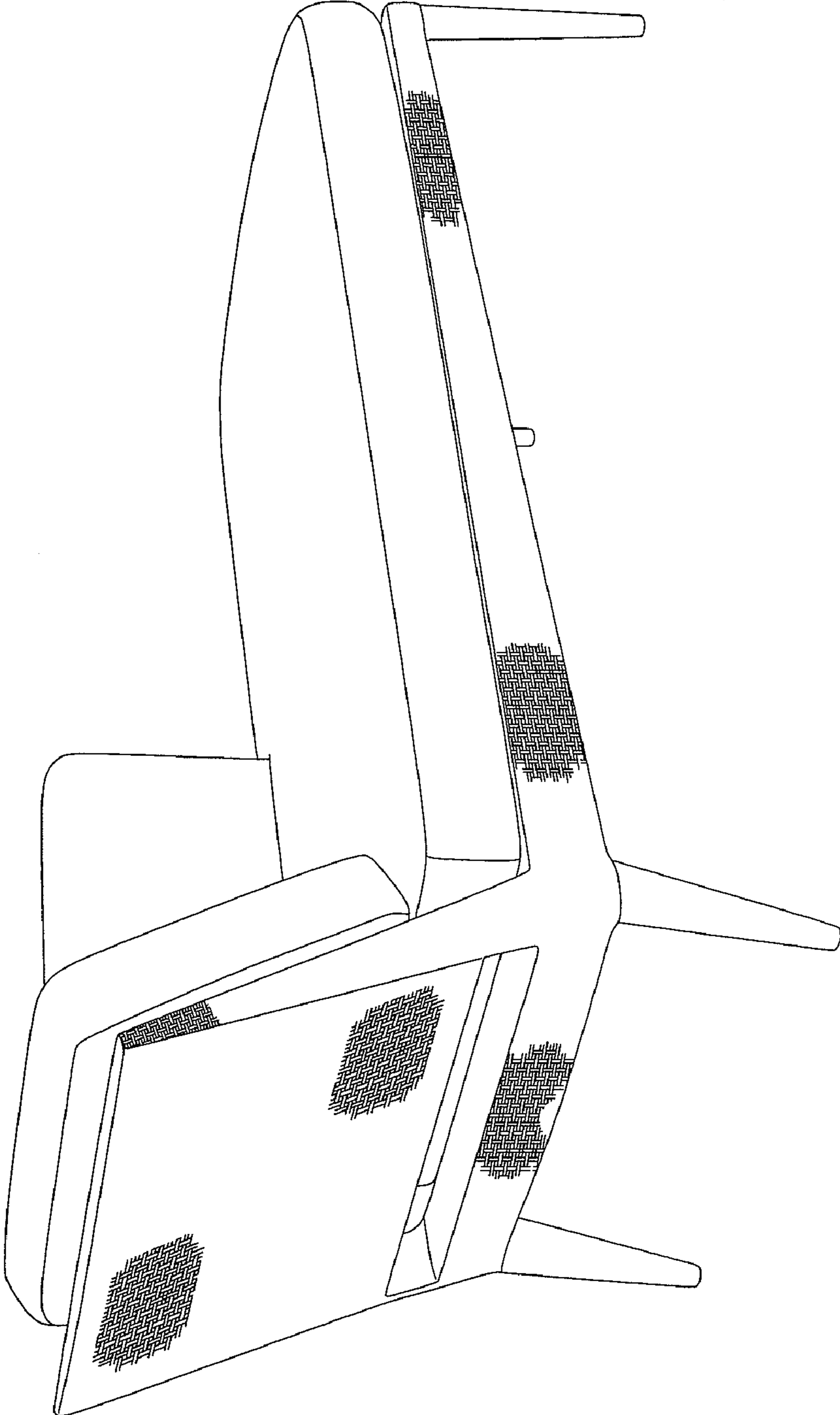


FIG. 1

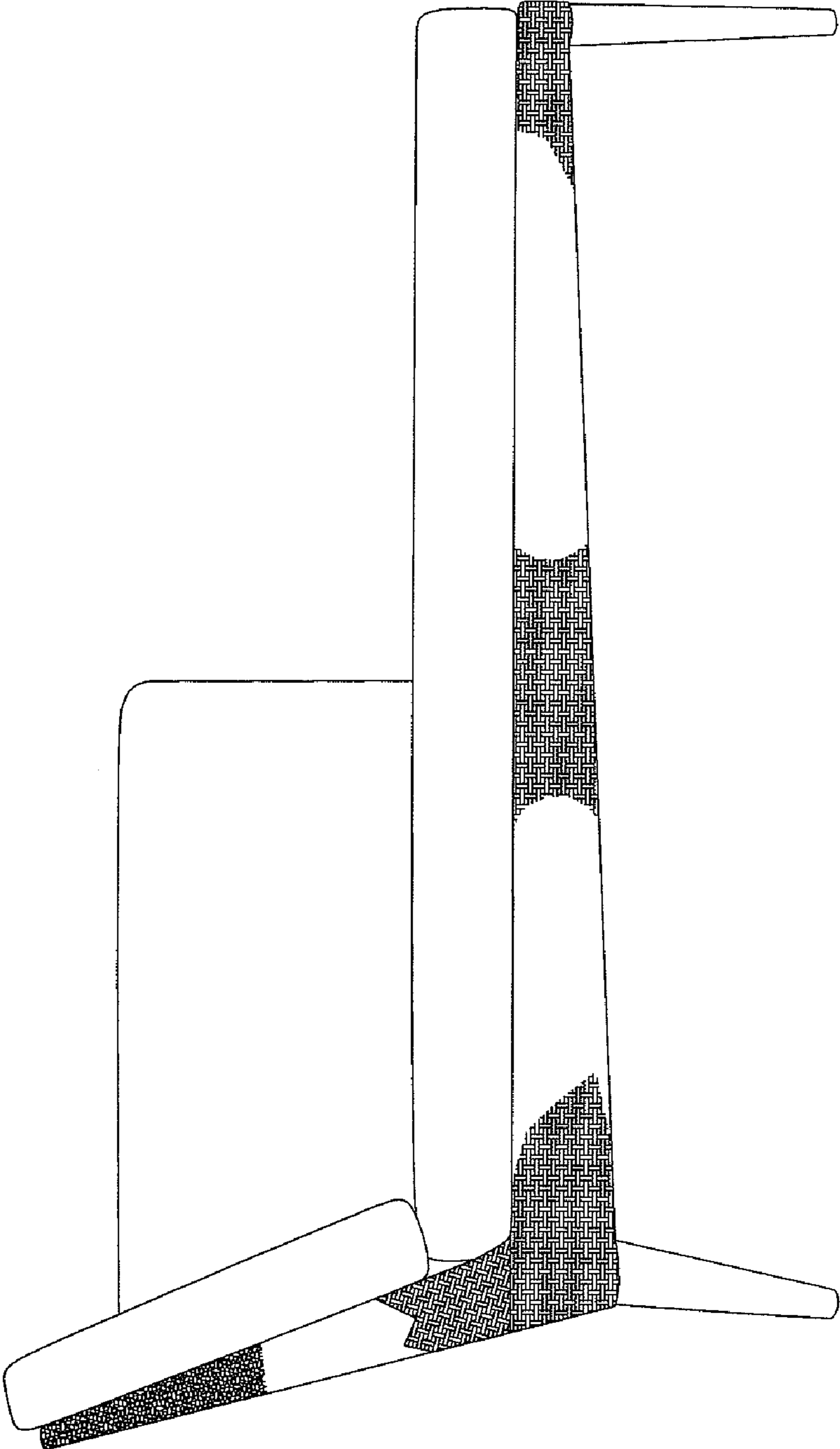


FIG. 2

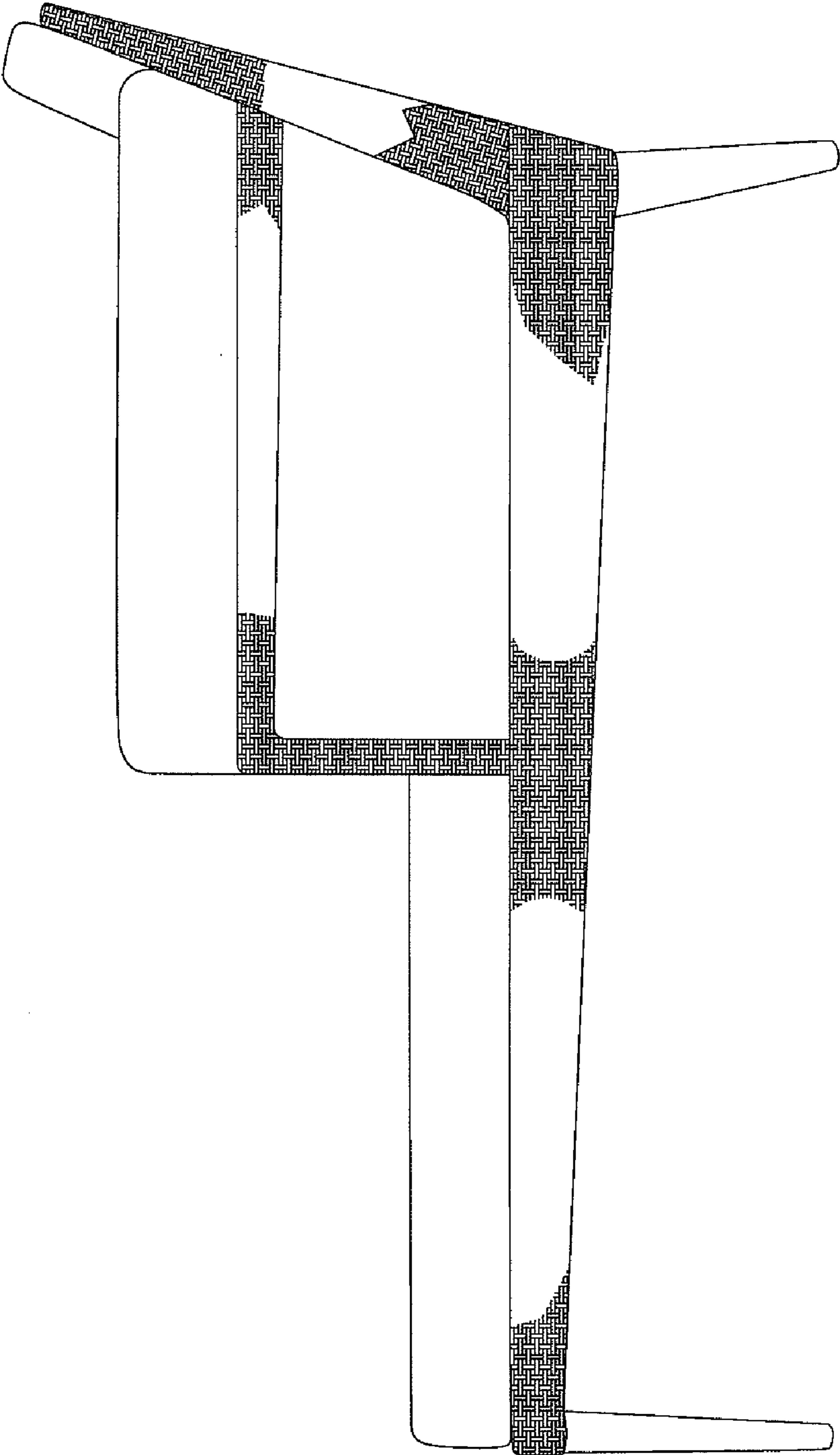


FIG. 3

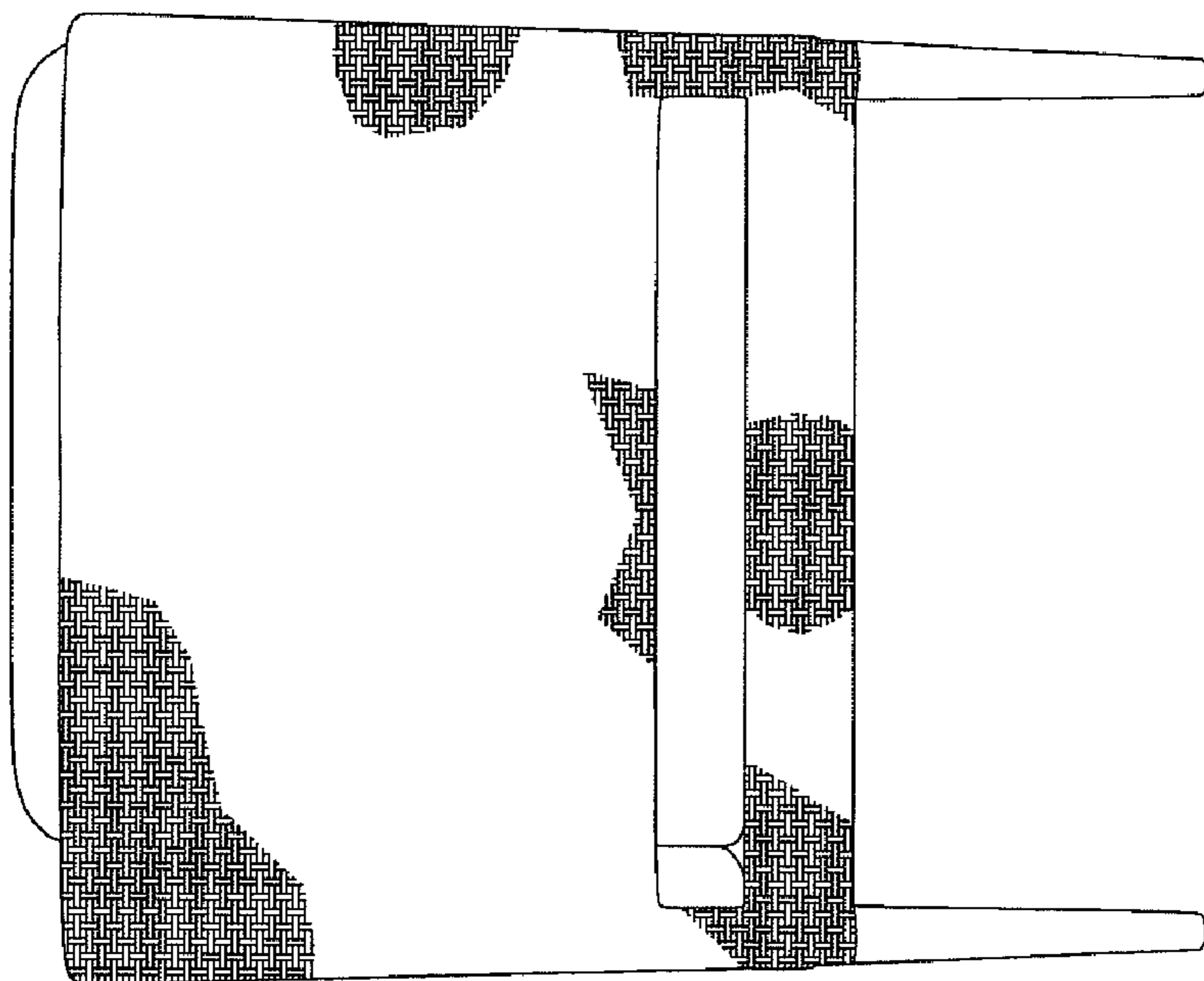


FIG. 4

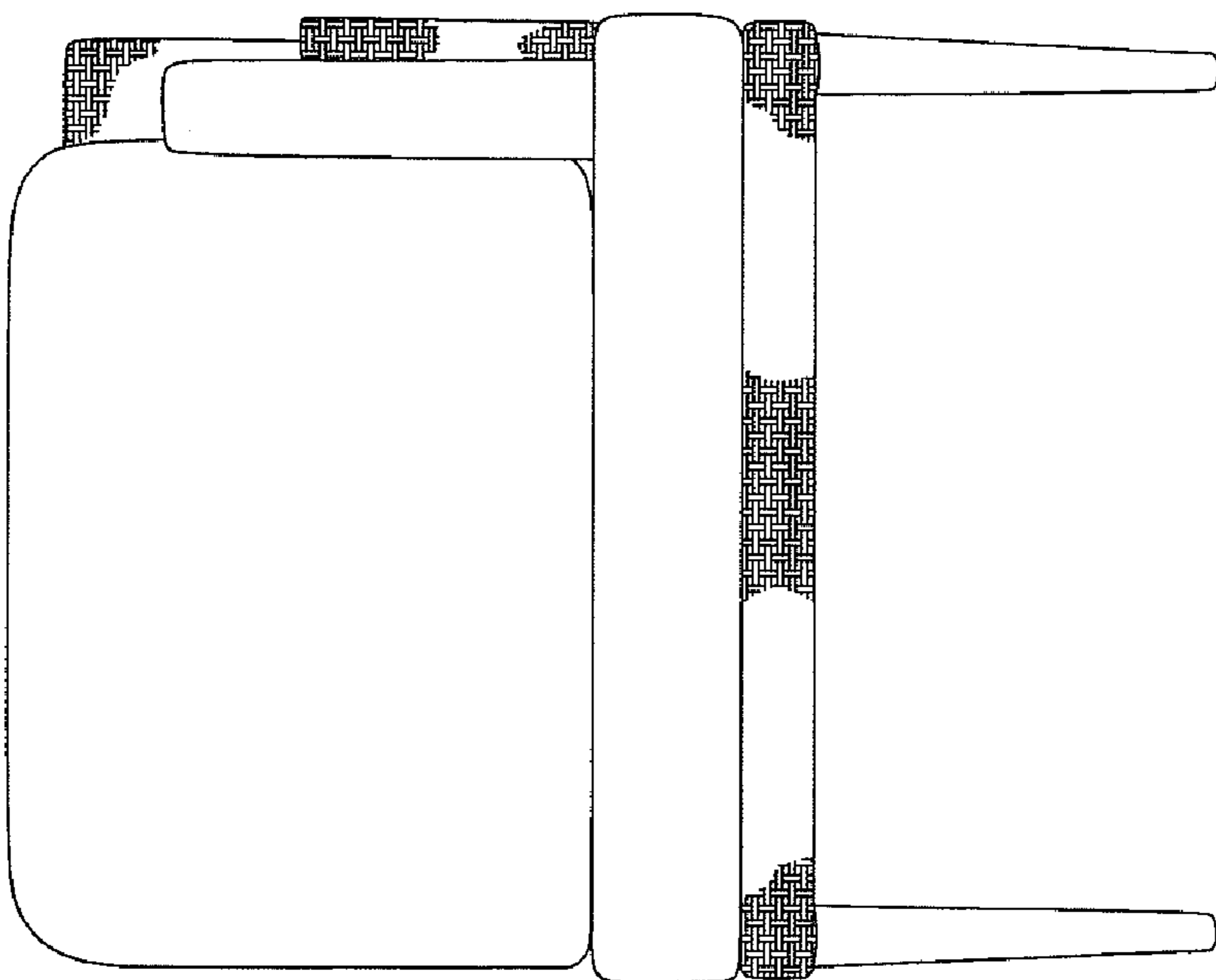


FIG. 5

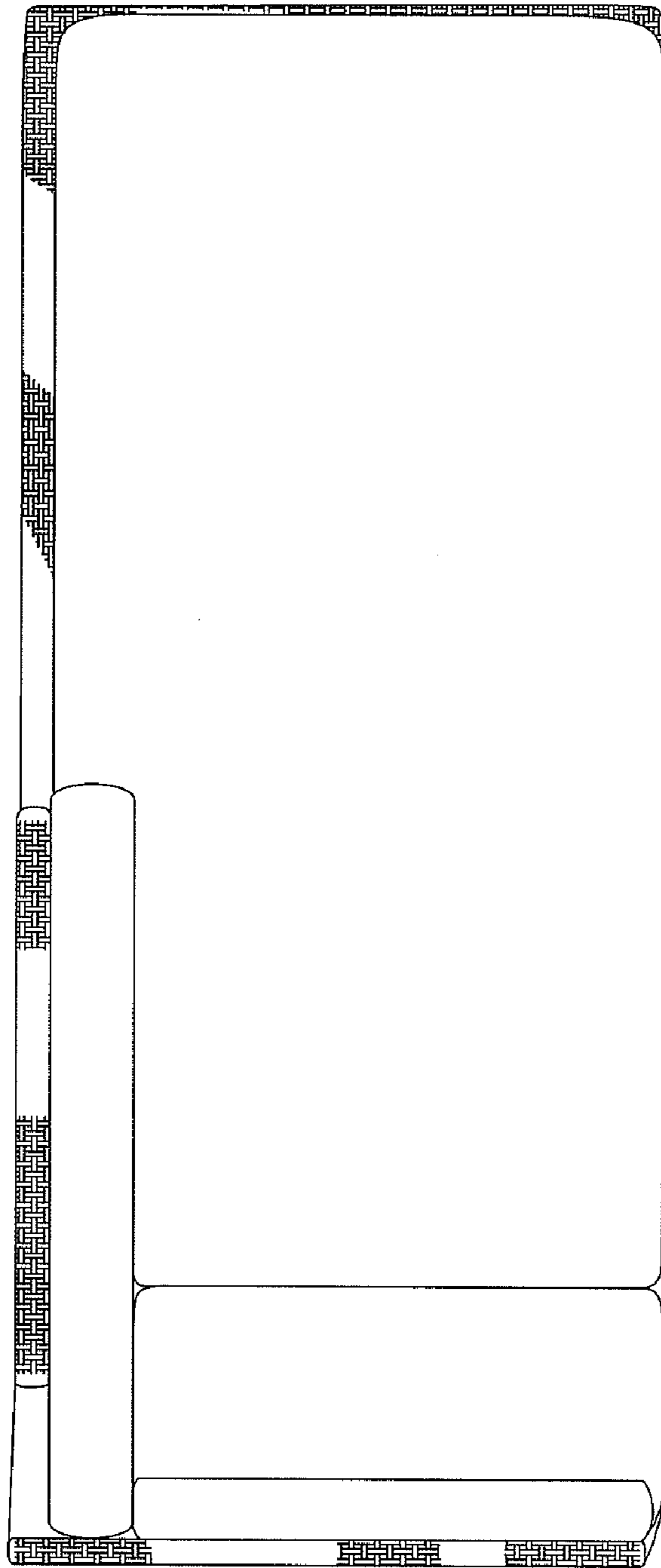


FIG. 6