



US00D648563S

(12) **United States Design Patent**  
**Lievore et al.**

(10) **Patent No.:** **US D648,563 S**

(45) **Date of Patent:** **\*\* Nov. 15, 2011**

(54) **CHAIR**

(75) Inventors: **Alberto Lievore**, Barcelona (ES);  
**Jannette Altherr**, Barcelona (ES);  
**Manuel Molina**, Barcelona (ES)

(73) Assignee: **Arper S.p.A.**, Treviso (IT)

(\*\*) Term: **14 Years**

(21) Appl. No.: **29/390,059**

(22) Filed: **Apr. 19, 2011**

(30) **Foreign Application Priority Data**

Oct. 20, 2010 (WO) ..... 569740101

(51) **LOC (9) Cl.** ..... **06-01**

(52) **U.S. Cl.** ..... **D6/375**

(58) **Field of Classification Search** ..... D6/334-336,  
D6/371-373, 374, 375, 376, 379, 380, 499,  
D6/500-502; 297/411.29, 445.1, 446.1,  
297/452.12, 452.14, 452.18, 452.19

See application file for complete search history.

(56) **References Cited**

**U.S. PATENT DOCUMENTS**

D179,771 S \* 2/1957 Johnson ..... D6/373  
D180,660 S \* 7/1957 Johnson ..... D6/373

D183,009 S \* 6/1958 Mackintosh ..... D6/375  
D422,158 S \* 4/2000 Newhouse ..... D6/375  
D422,424 S \* 4/2000 Gehry et al. .... D6/375  
D463,149 S \* 9/2002 Levy ..... D6/375  
D465,100 S \* 11/2002 Savini ..... D6/375  
D475,543 S \* 6/2003 Savini ..... D6/374  
D492,131 S \* 6/2004 Starck ..... D6/375  
D563,111 S \* 3/2008 Lievore ..... D6/375  
D566,412 S \* 4/2008 de Brabandere et al. .... D6/375  
D600,035 S \* 9/2009 Olano Jauregui ..... D6/375  
D600,934 S \* 9/2009 Woolley ..... D6/375

\* cited by examiner

*Primary Examiner* — Mimoso De

(74) *Attorney, Agent, or Firm* — Shoemaker and Mattare

(57) **CLAIM**

The ornamental design for a chair, as shown and described.

**DESCRIPTION**

FIG. 1 is a perspective view of a chair, showing our new design from the front and right side;

FIG. 2 is a right side elevational view thereof;

FIG. 3 is a left side elevational view thereof;

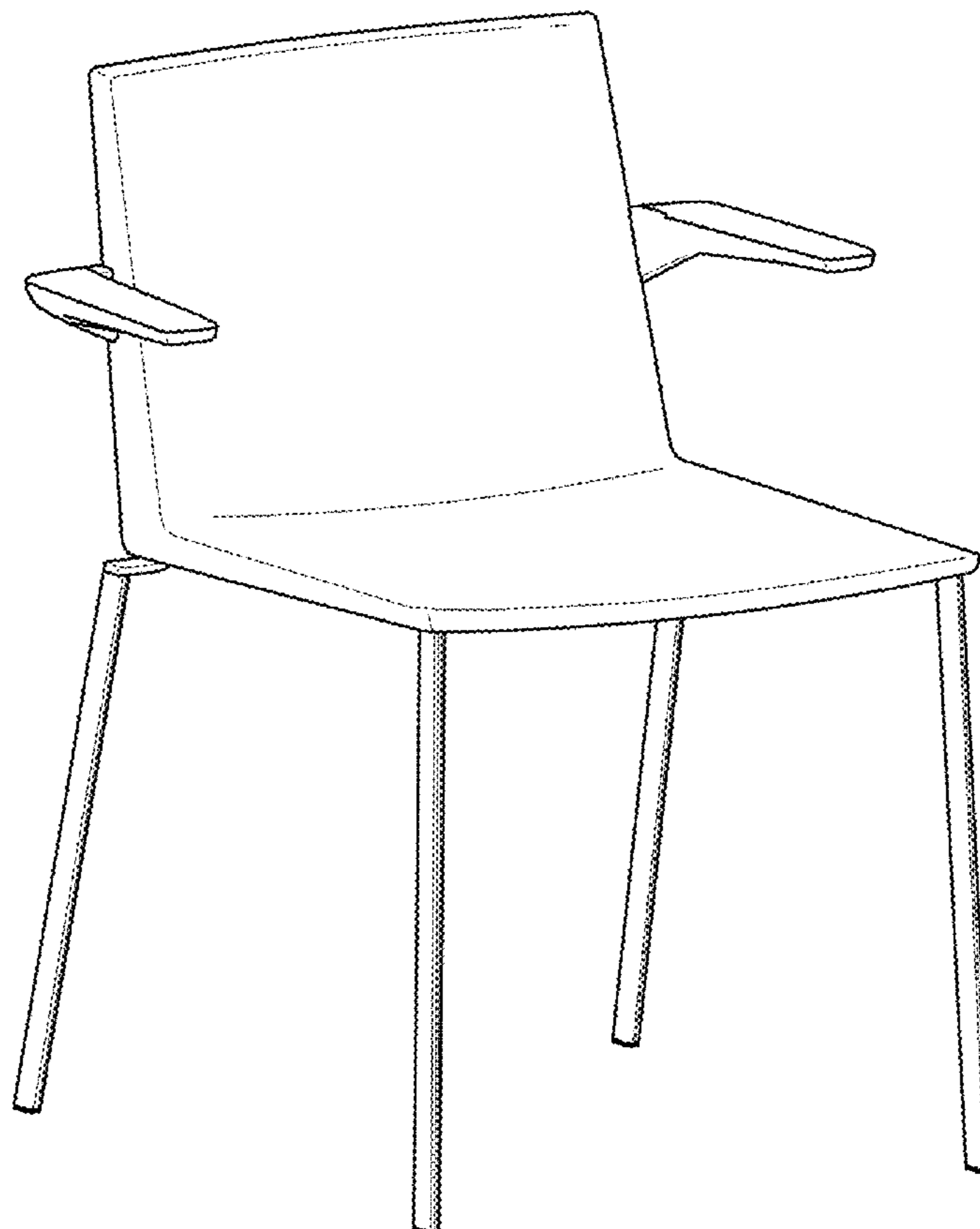
FIG. 4 is a front elevational view thereof;

FIG. 5 is a rear elevational view thereof;

FIG. 6 is a top plan view thereof; and,

FIG. 7 is a bottom plan view thereof.

**1 Claim, 7 Drawing Sheets**



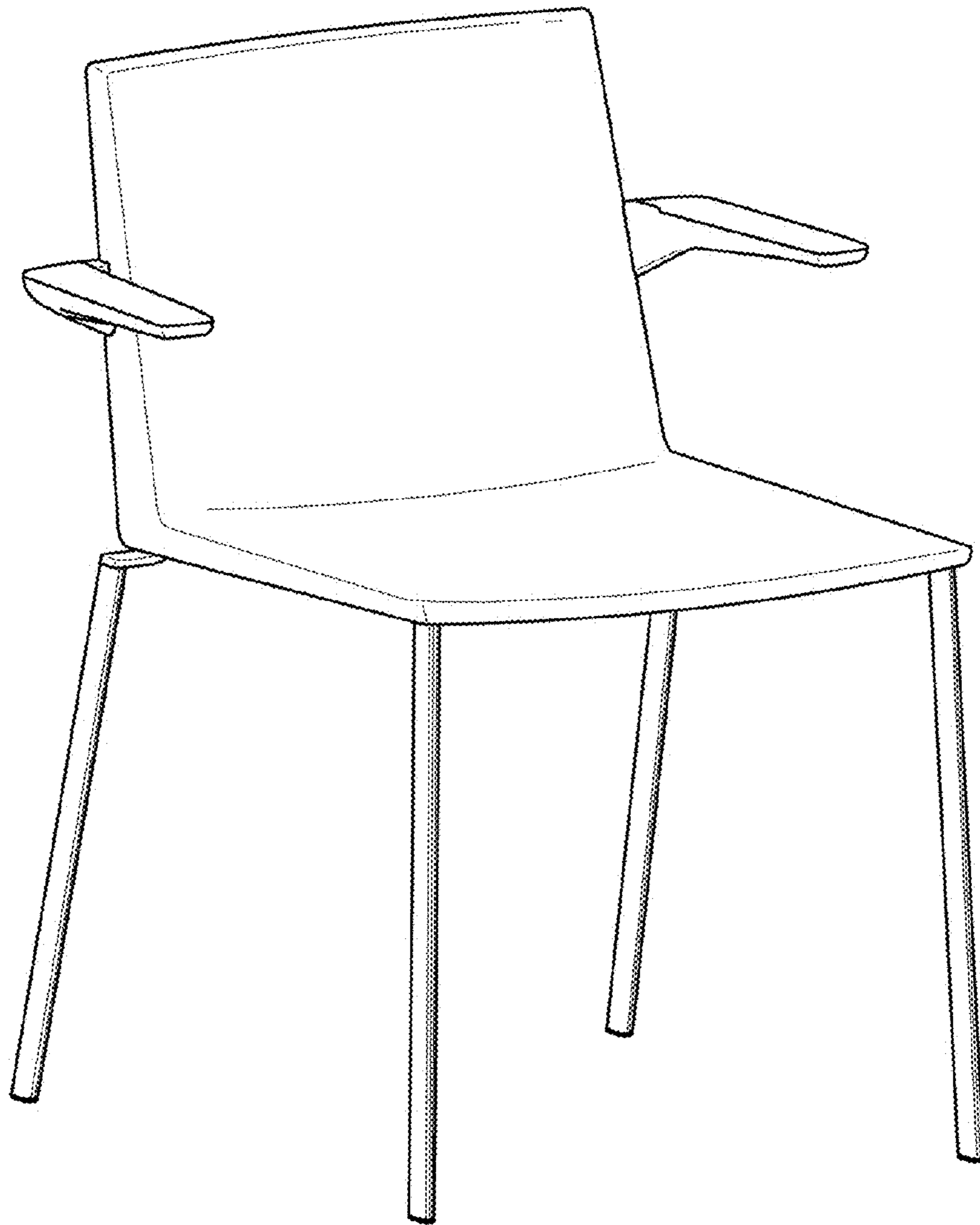


Fig. 1

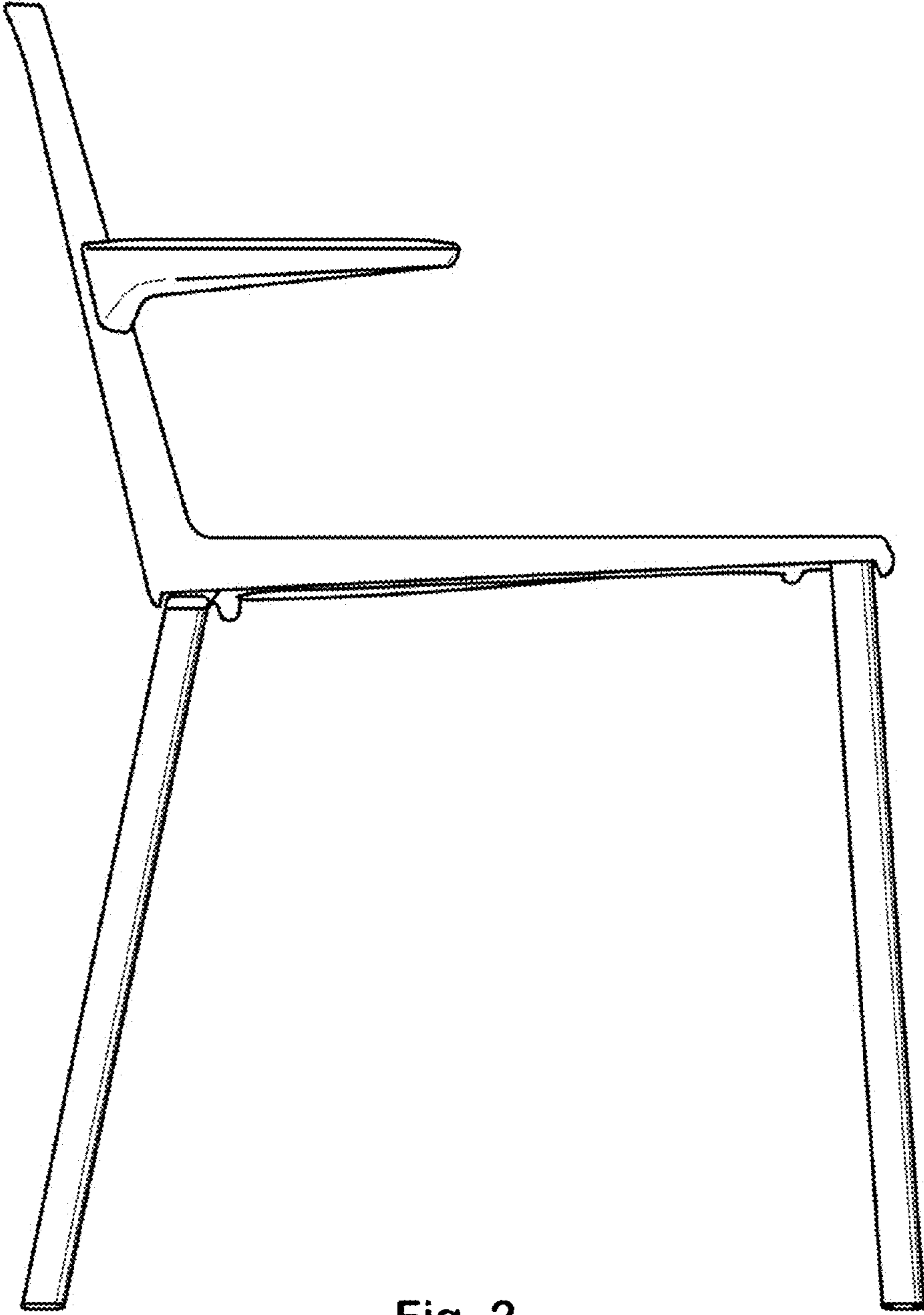


Fig. 2

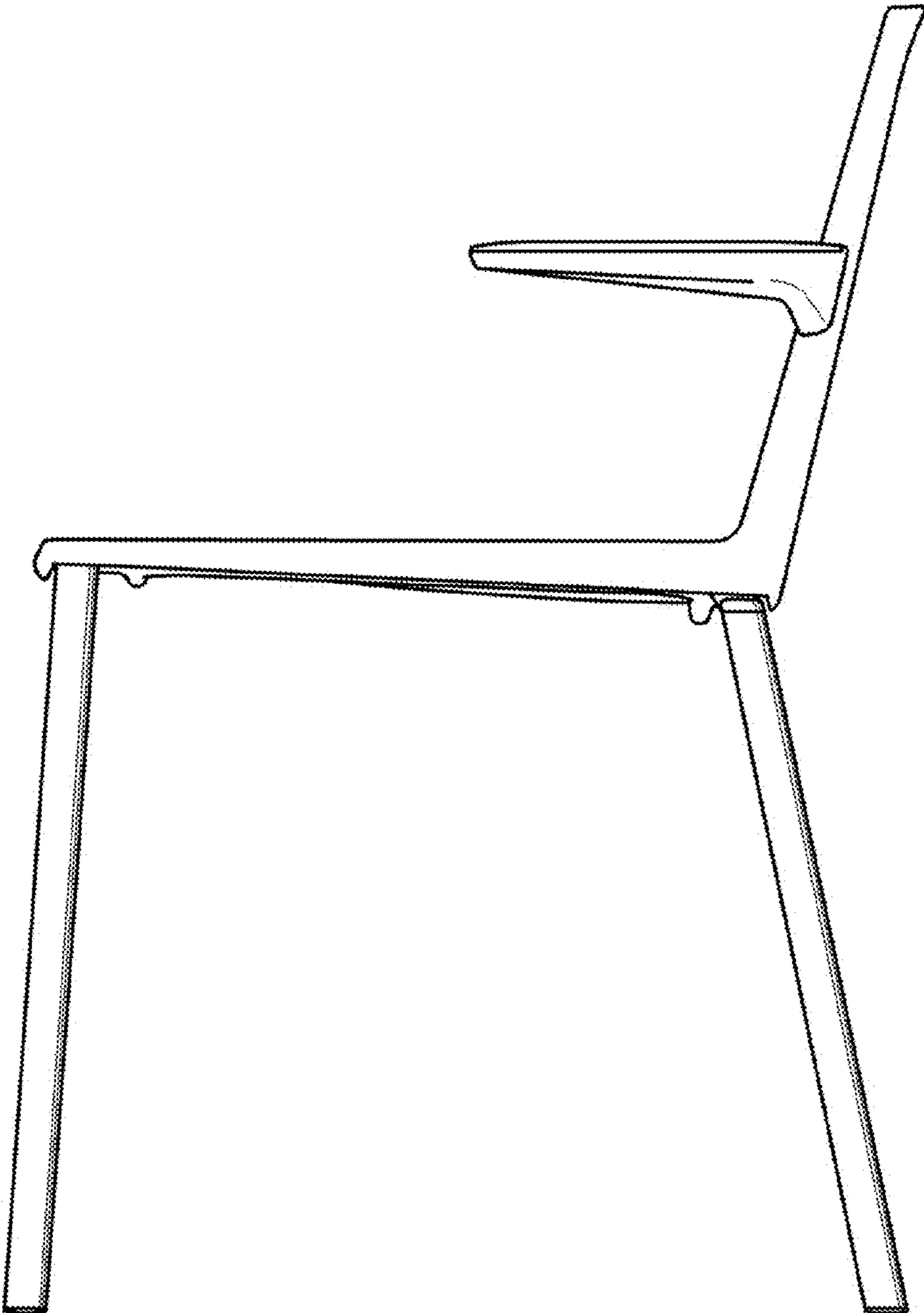


Fig. 3

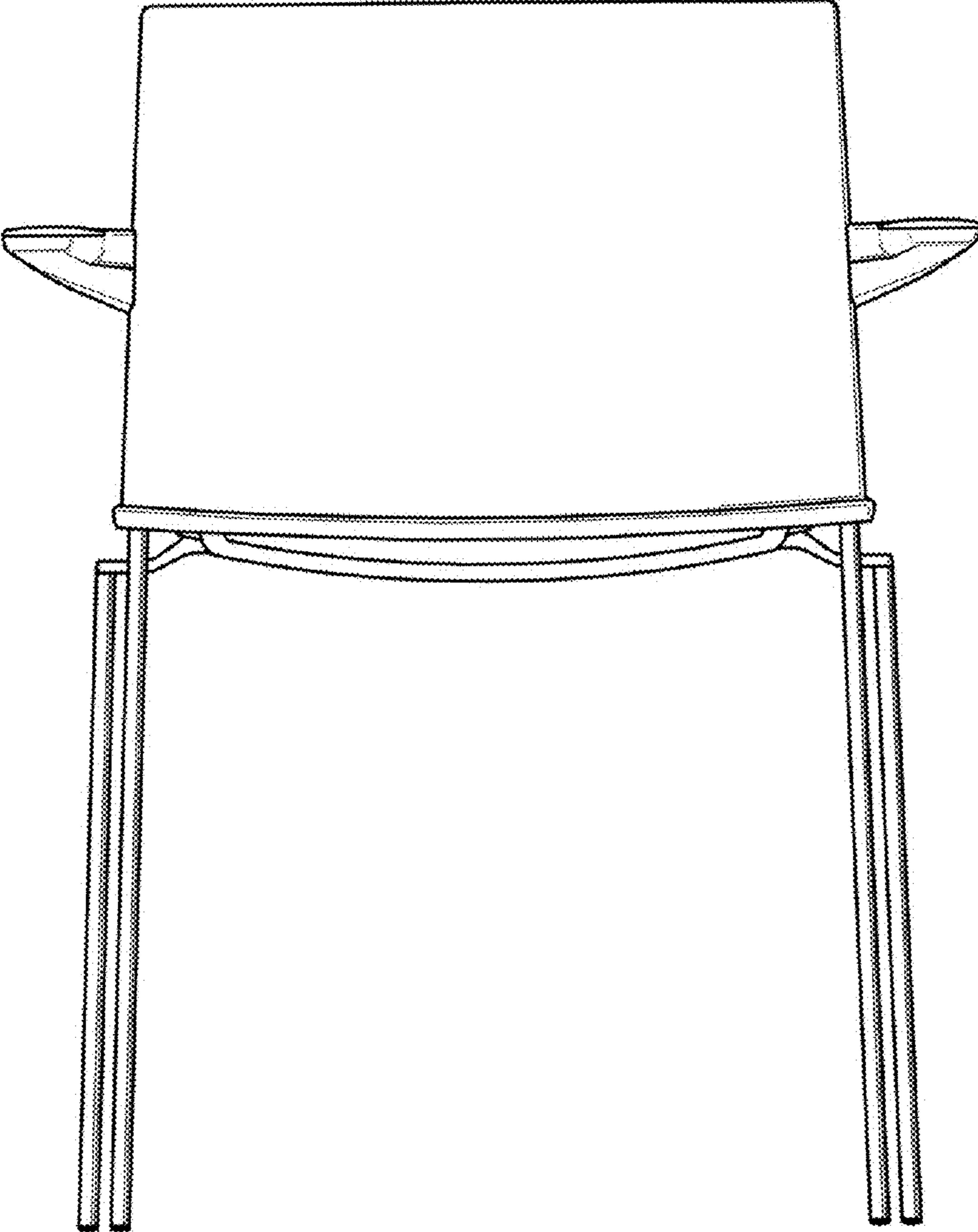


Fig. 4

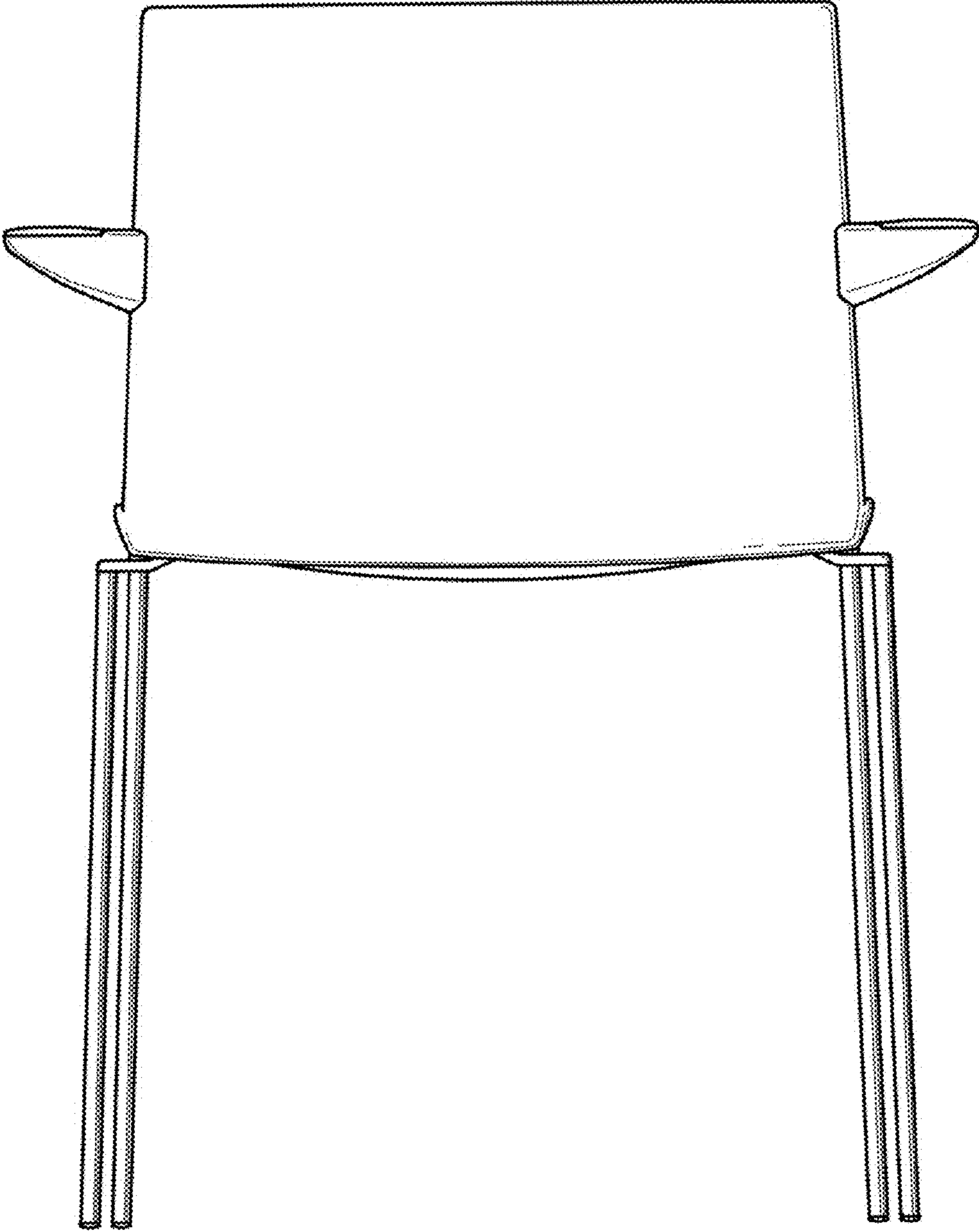


Fig. 5

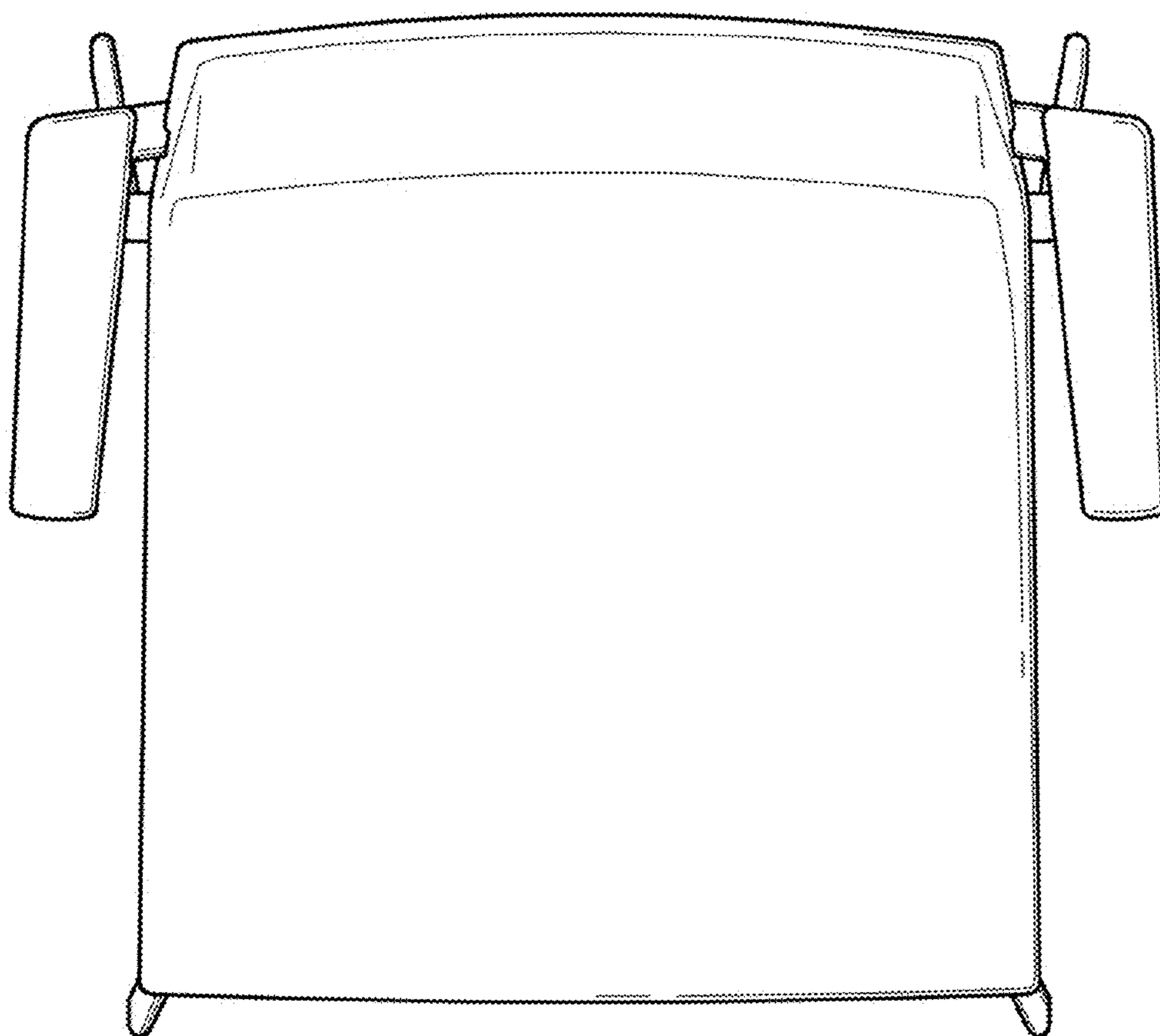


Fig. 6

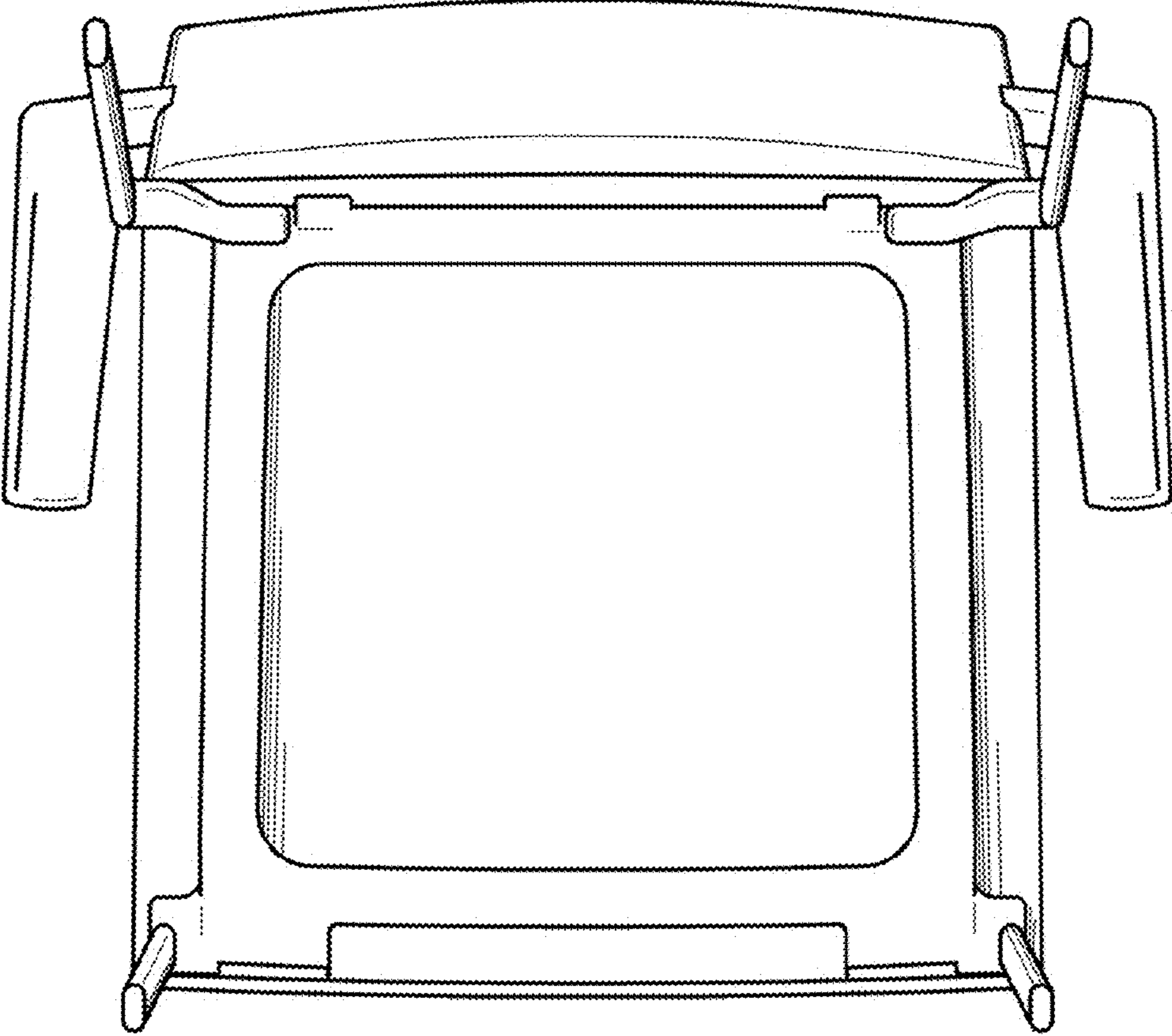


Fig. 7