



US00D648562S

(12) **United States Design Patent**
Lievore et al.

(10) **Patent No.:** **US D648,562 S**

(45) **Date of Patent:** **** Nov. 15, 2011**

(54) **CHAIR**

(75) Inventors: **Alberto Lievore**, Barcelona (ES);
Jannette Altherr, Barcelona (ES);
Manuel Molina, Barcelona (ES)

(73) Assignee: **Arper S.p.A.**, Treviso (IT)

(**) Term: **14 Years**

(21) Appl. No.: **29/390,058**

(22) Filed: **Apr. 19, 2011**

(30) **Foreign Application Priority Data**

Oct. 20, 2010 (WO) 569740101

(51) **LOC (9) Cl.** **06-01**

(52) **U.S. Cl.** **D6/375**

(58) **Field of Classification Search** D6/334–336,
D6/371–373, 374, 375, 376, 379, 380, 499,
D6/500–502; 297/445.1, 446.1, 452.12,
297/452.14, 452.19, 452.21, 452.29

See application file for complete search history.

(56) **References Cited**

U.S. PATENT DOCUMENTS

D178,880	S	*	10/1956	Hauser	D6/375
D181,601	S	*	12/1957	Pike	D6/375
D228,483	S	*	10/1973	Sebel	D6/375
D235,236	S	*	6/1975	Prizlow	D6/375
D236,670	S	*	9/1975	Uyeda	D6/375
D463,149	S	*	9/2002	Levy	D6/375
D555,379	S	*	11/2007	Ziliani	D6/375
D581,688	S	*	12/2008	Miller et al.	D6/375
D600,035	S	*	9/2009	Olano Jauregui	D6/375
D600,934	S	*	9/2009	Woolley	D6/375

* cited by examiner

Primary Examiner — Mimosa De

(74) *Attorney, Agent, or Firm* — Shoemaker and Mattare

(57) **CLAIM**

The ornamental design for a chair, as shown and described.

DESCRIPTION

FIG. 1 is a perspective view of a chair, showing our new design from the front and right side;
FIG. 2 is a right side elevational view thereof;
FIG. 3 is a left side elevational view thereof;
FIG. 4 is a front elevational view thereof;
FIG. 5 is a rear elevational view thereof;
FIG. 6 is a top plan view thereof; and,
FIG. 7 is a bottom plan view thereof.

1 Claim, 7 Drawing Sheets

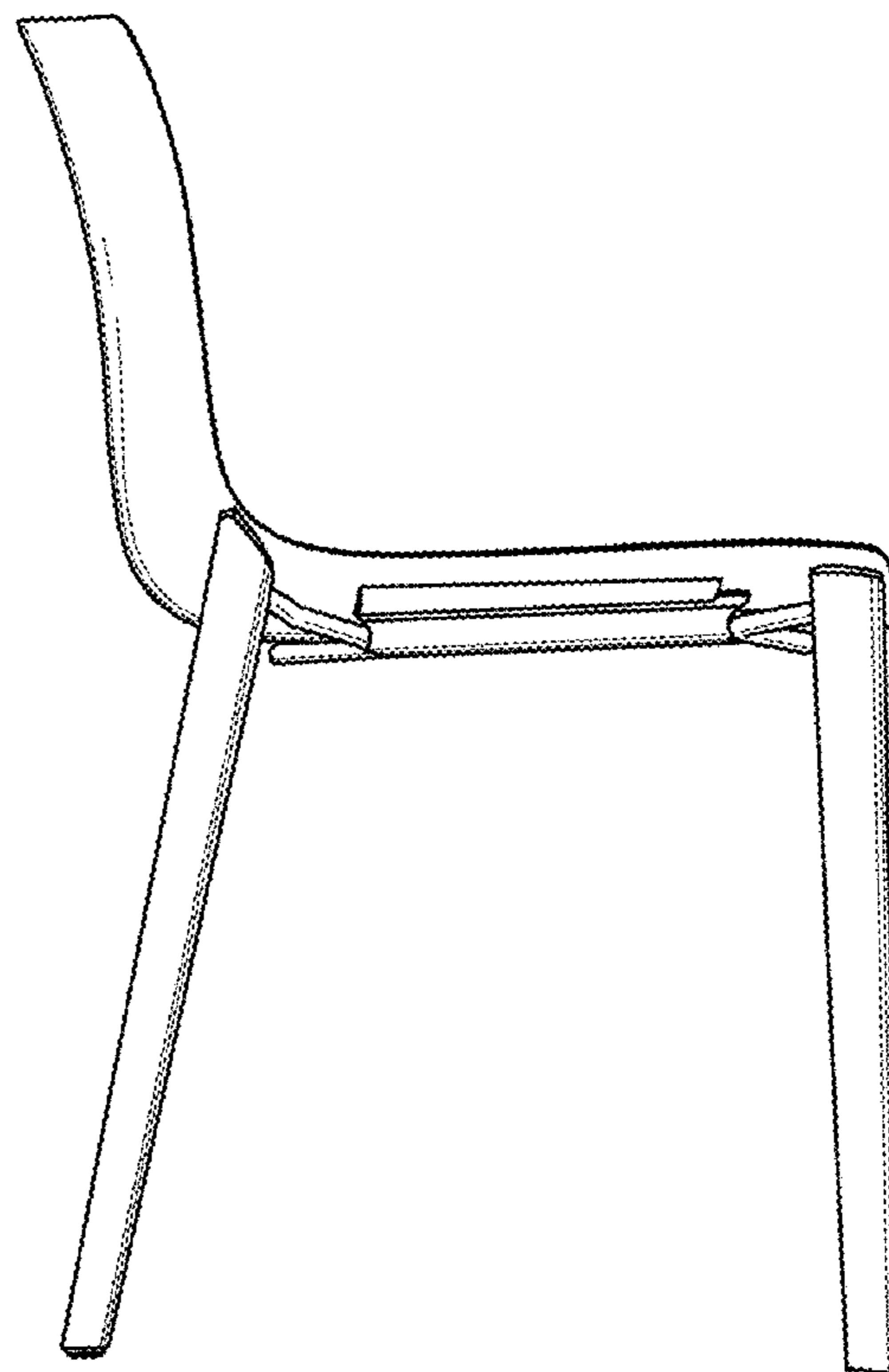
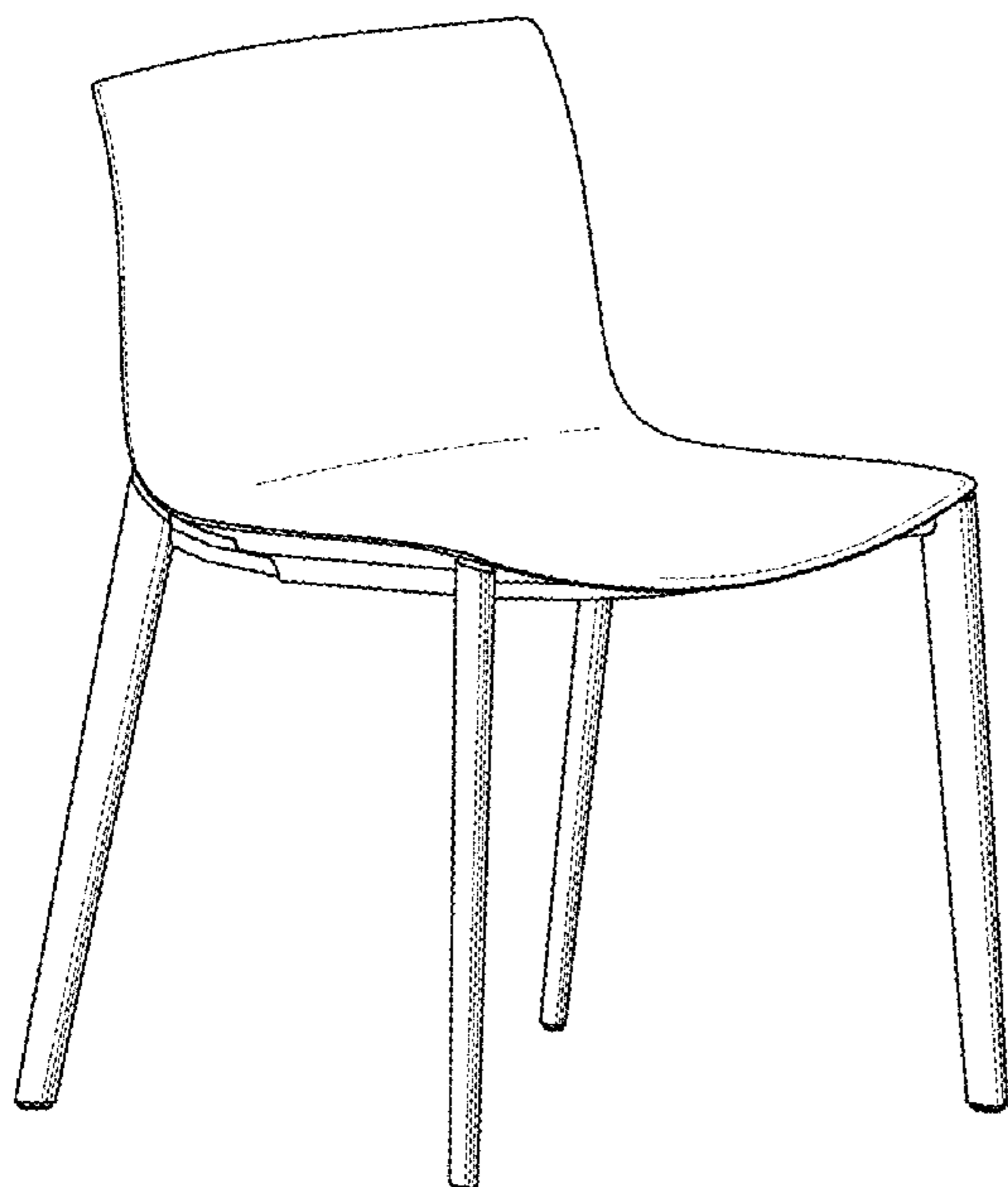




Fig. 1

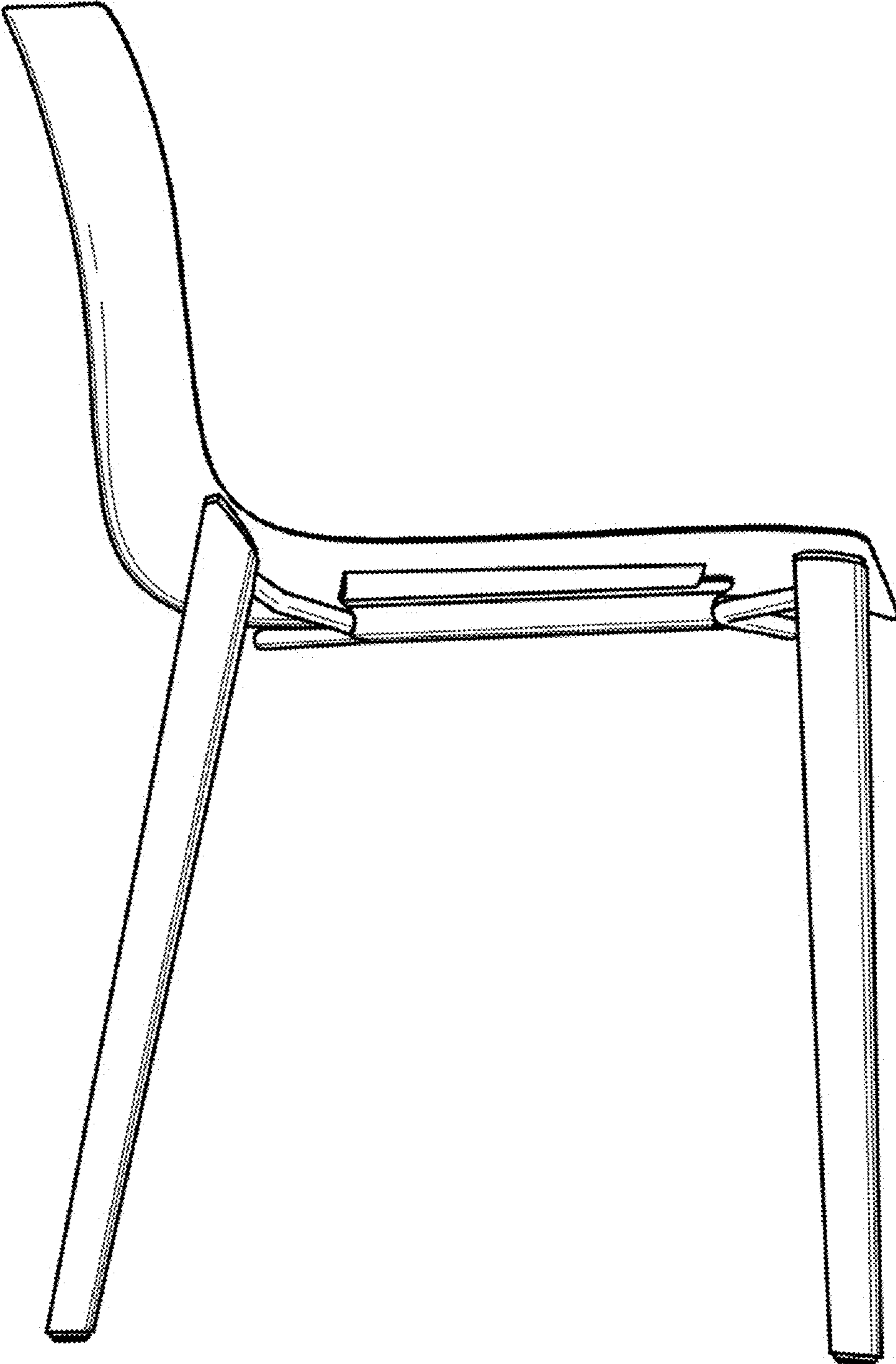


Fig. 2

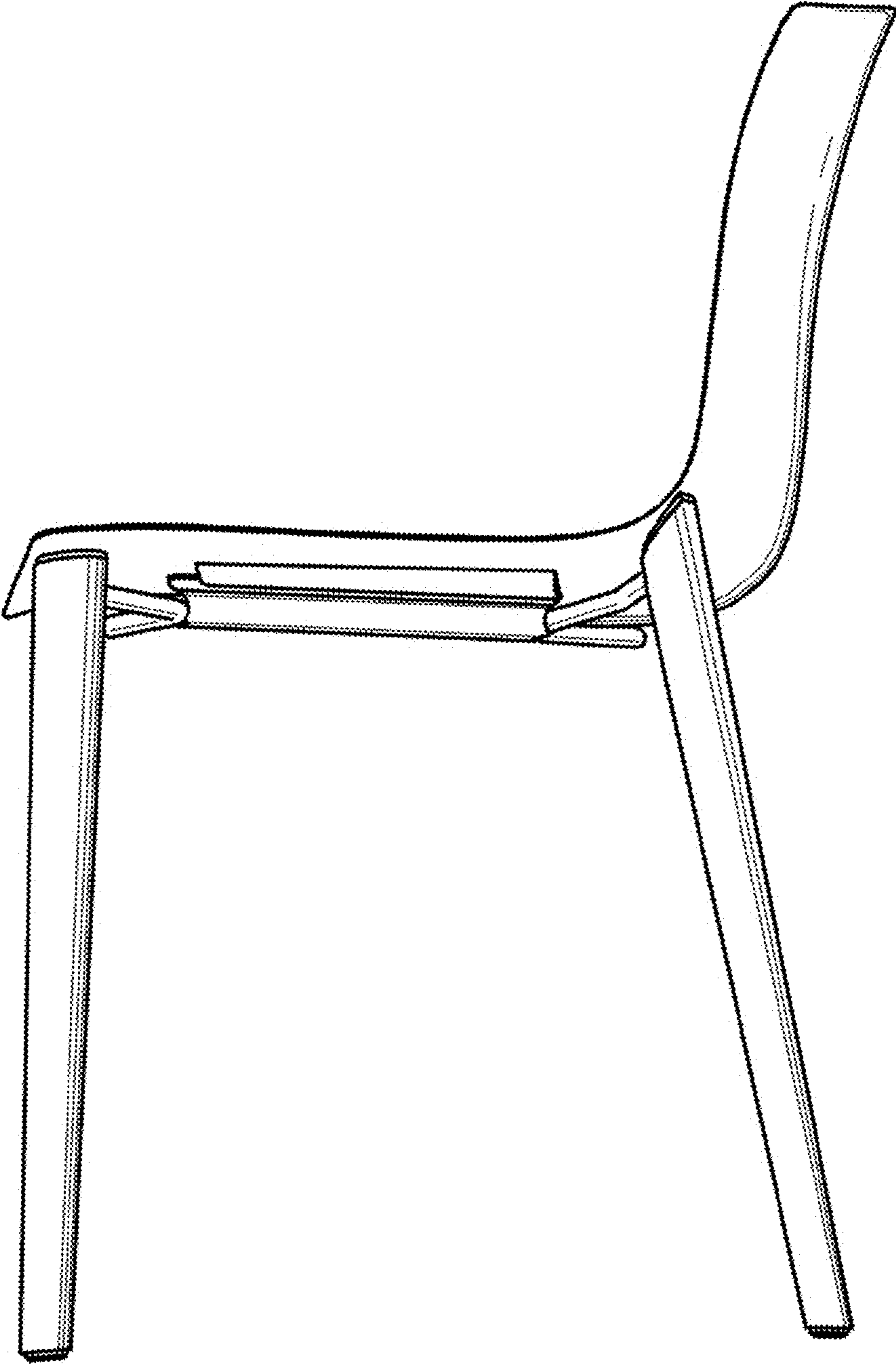


Fig. 3

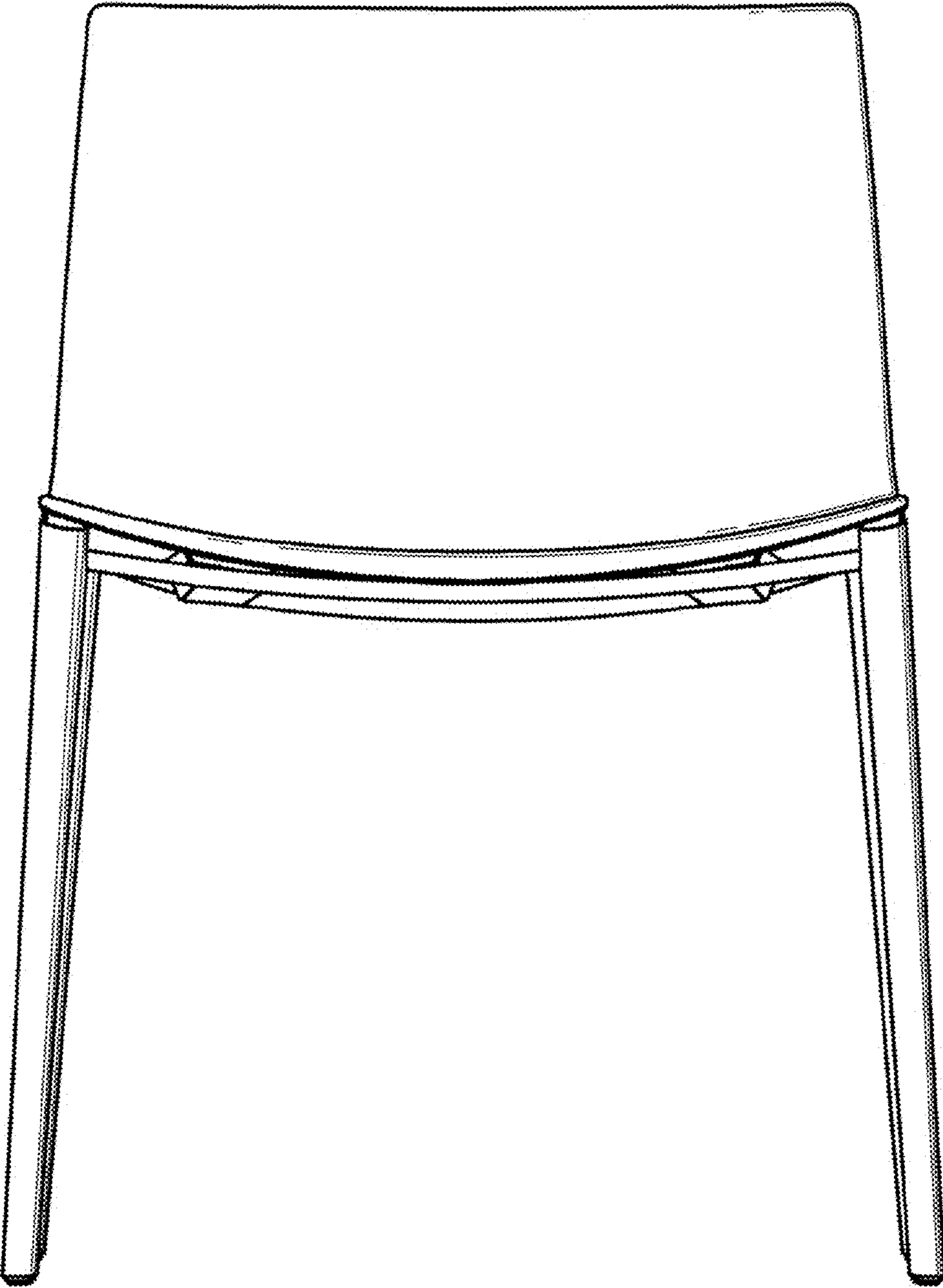


Fig. 4

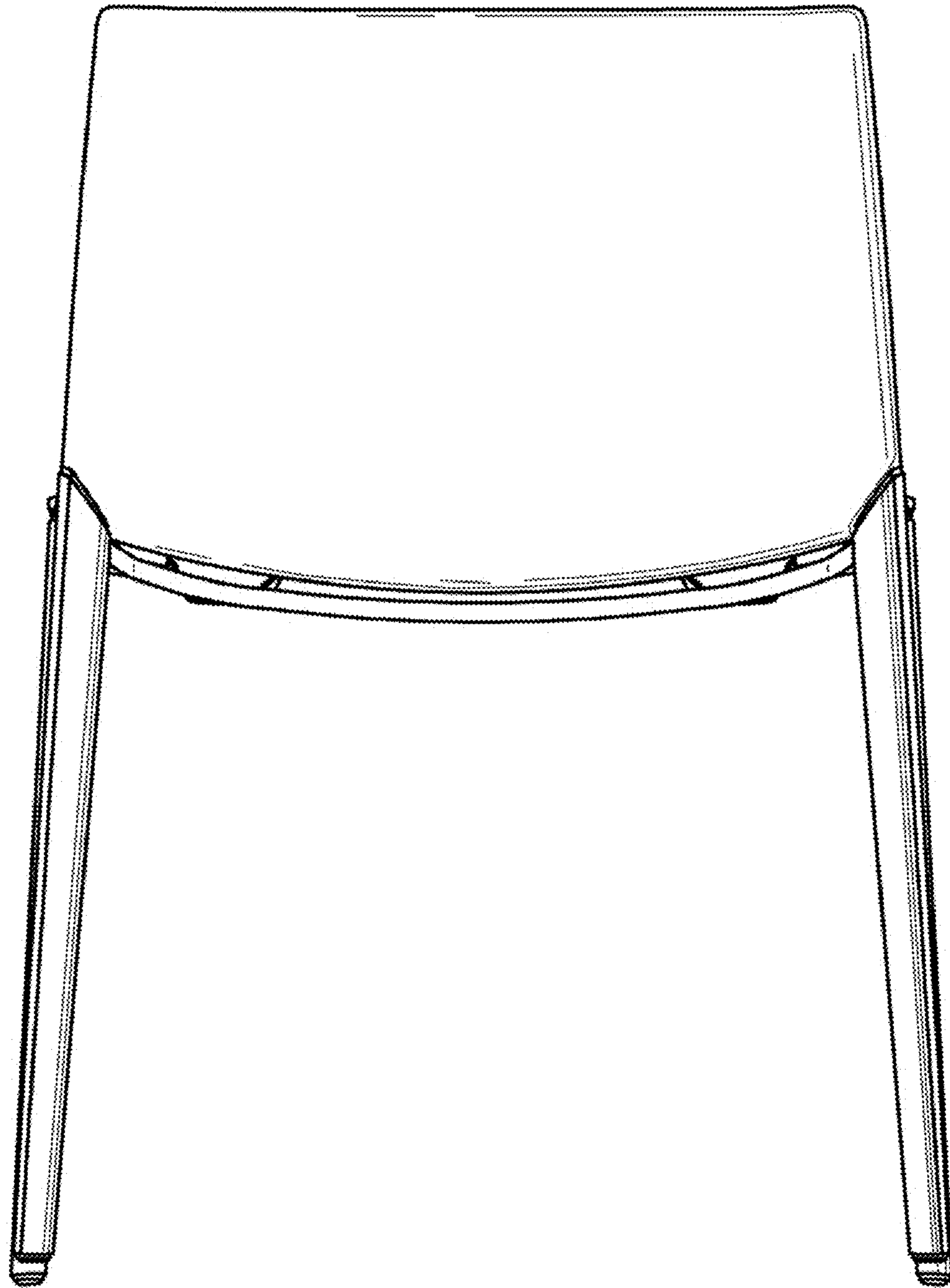


Fig. 5

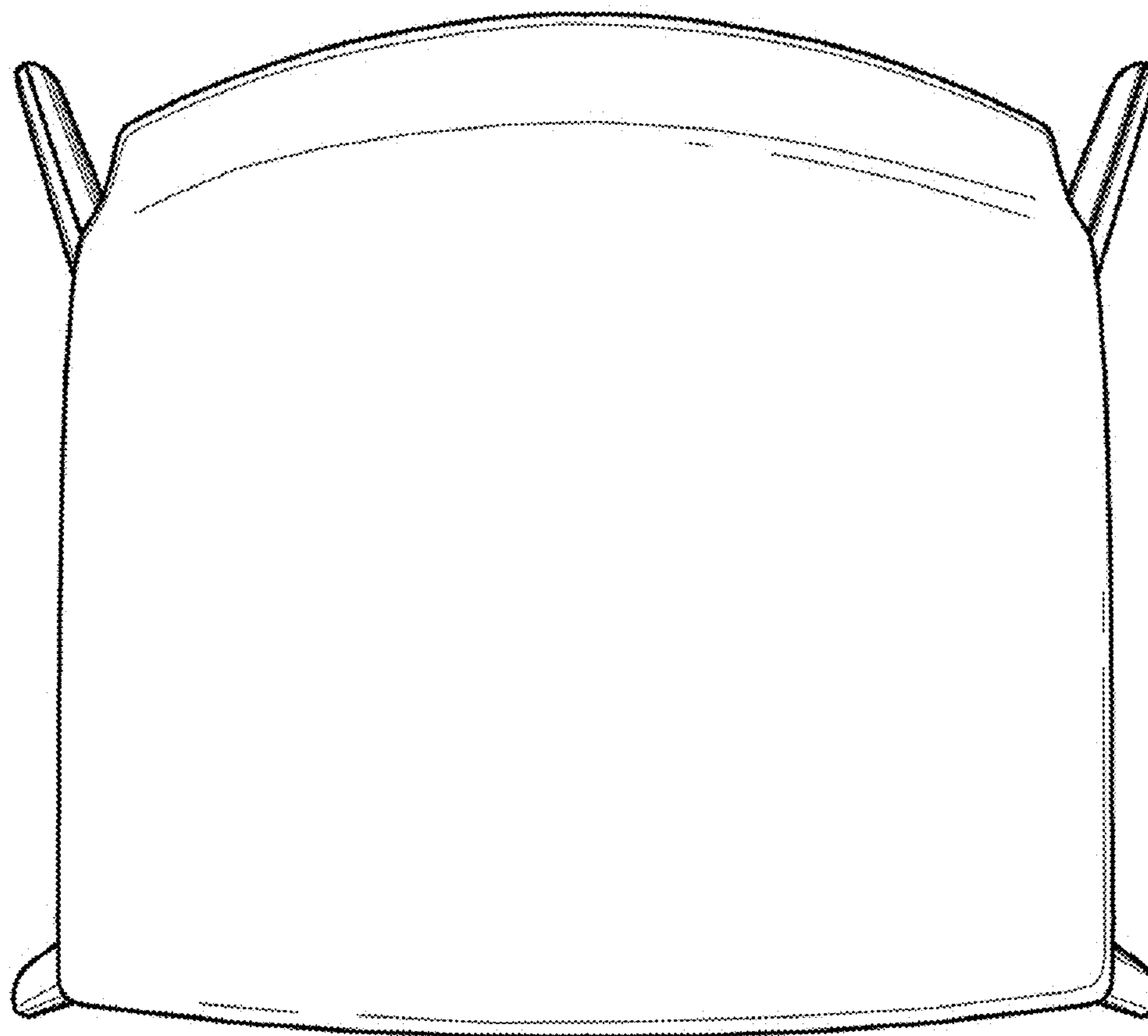


Fig. 6

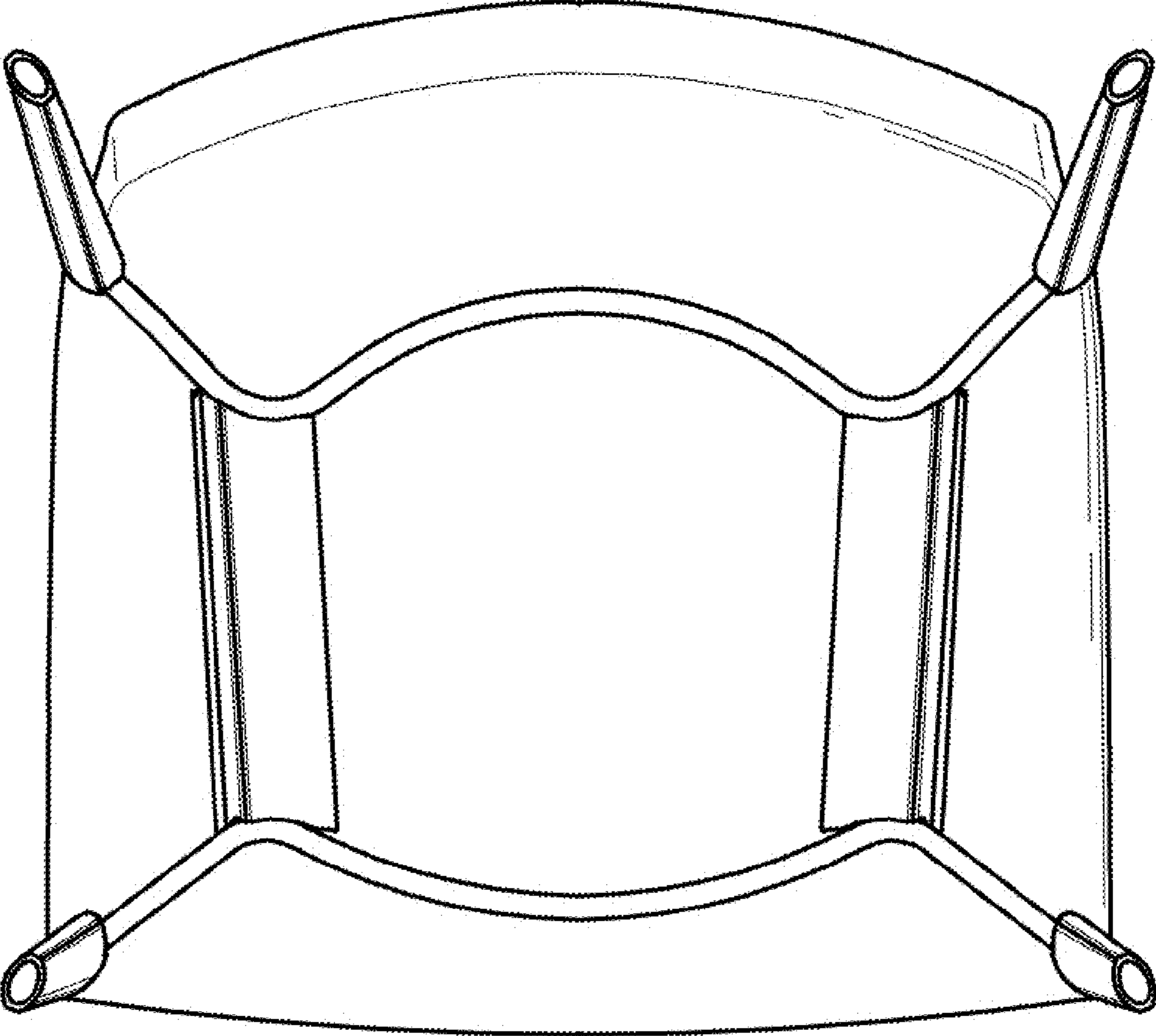


Fig. 7