



US00D648561S

(12) **United States Design Patent**
Johansson

(10) **Patent No.:** **US D648,561 S**

(45) **Date of Patent:** **** Nov. 15, 2011**

(54) **CHAIR**

(76) Inventor: **Paul J. Johansson**, Fort Lauderdale, FL (US)

(**) Term: **14 Years**

(21) Appl. No.: **29/388,532**

(22) Filed: **Mar. 30, 2011**

(51) **LOC (9) Cl.** **06-01**

(52) **U.S. Cl.** **D6/375**

(58) **Field of Classification Search** D6/334-336, D6/366, 371-373, 374, 375, 376, 379, 380, D6/499, 500-502; 297/DIG. 2, 239, 445.1, 297/446.1, 448.1, 452.12, 452.19, 452.2

See application file for complete search history.

(56) **References Cited**

U.S. PATENT DOCUMENTS

D236,395 S *	8/1975	Kinsman	D6/373
D460,300 S *	7/2002	Fifield et al.	D6/502
D504,026 S *	4/2005	Glass et al.	D6/366
D547,980 S *	8/2007	Glass et al.	D6/500
D566,979 S *	4/2008	Cox et al.	D6/375
D572,049 S *	7/2008	Kerr	D6/500
D597,758 S *	8/2009	Barrett et al.	D6/375
D609,489 S *	2/2010	Adams et al.	D6/375
D638,641 S *	5/2011	Piretti	D6/500

OTHER PUBLICATIONS

Merryfair Chair System SDN.BHD. The Mata family of multi-purpose seats [www.merryfair.com](http://merryfair.com) <http://merryfair.com/merryfair/default.asp?id=43> Klang, Selangor D.E., Malaysia.

Virco Mfg. Corporation Seating/Chair Desks https://www.virco.com/b2c_virco/b2c/init.do Torrance, California Headquarters.

VS International School Furniture/Furniture for Pupils <http://www.vs-furniture.com/56.0.html?&L=1&FL=10> Tauberbischofsheim, Germany.

* cited by examiner

Primary Examiner — Brian N Vinson

(74) *Attorney, Agent, or Firm* — The Smiley IP Law Group, P.A.; Scott D. Smiley

(57) **CLAIM**

The ornamental design for a chair, as shown and described.

DESCRIPTION

FIG. 1 is a perspective view of a chair according to the present invention;

FIG. 2 is a perspective view of an underside of the chair of FIG. 1 according to the present invention;

FIG. 3 is an elevational view of a front of the chair of FIG. 1 according to the present invention;

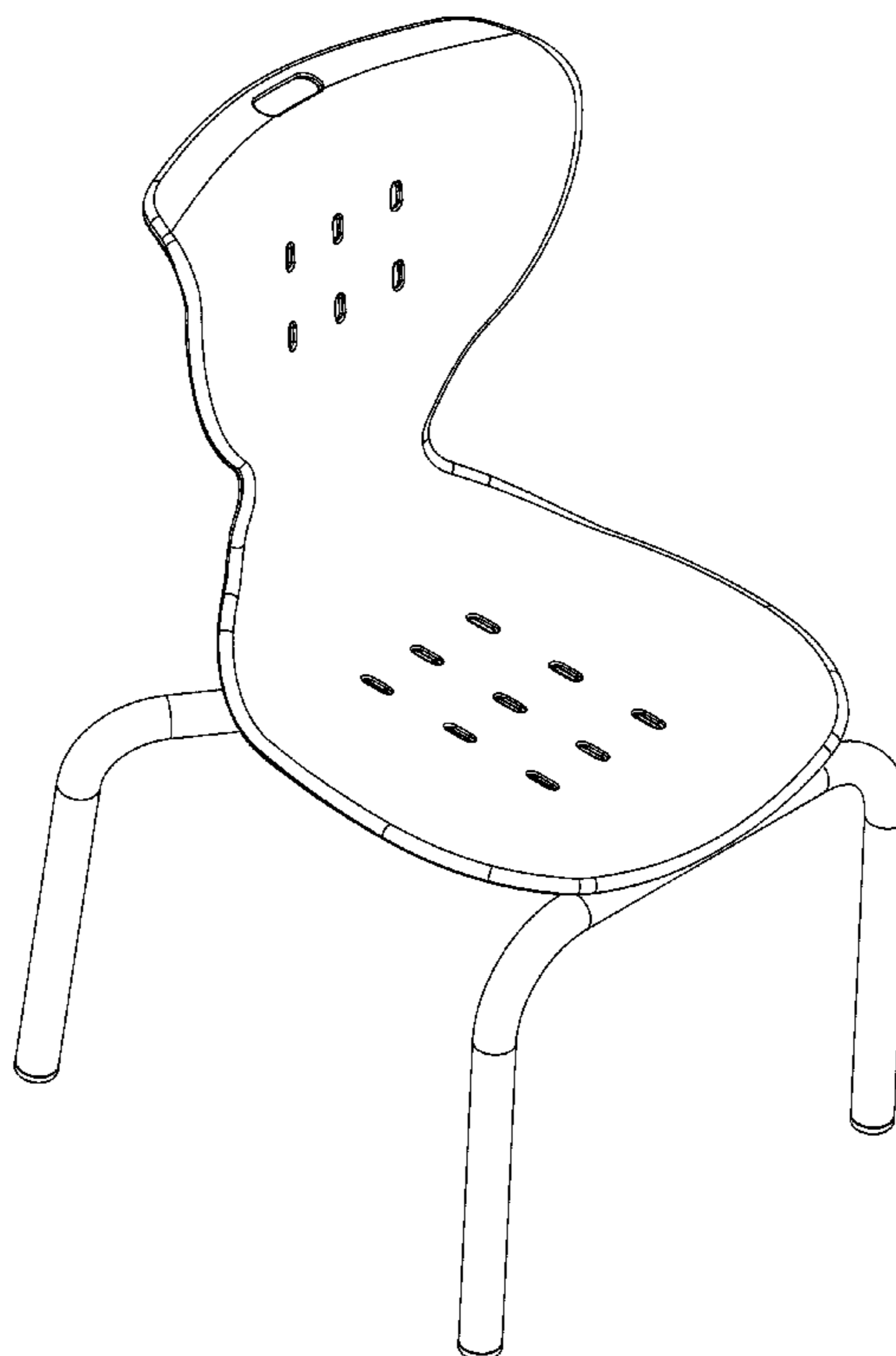
FIG. 4 is an elevational view of a side of the chair of FIG. 1 according to the present invention;

FIG. 5 is an elevational view of a back of the chair of FIG. 1 according to the present invention;

FIG. 6 is an elevational view of a top of chair of FIG. 1 according to the present invention; and,

FIG. 7 is an elevational view of a bottom of the chair of FIG. 1 according to the present invention.

1 Claim, 7 Drawing Sheets



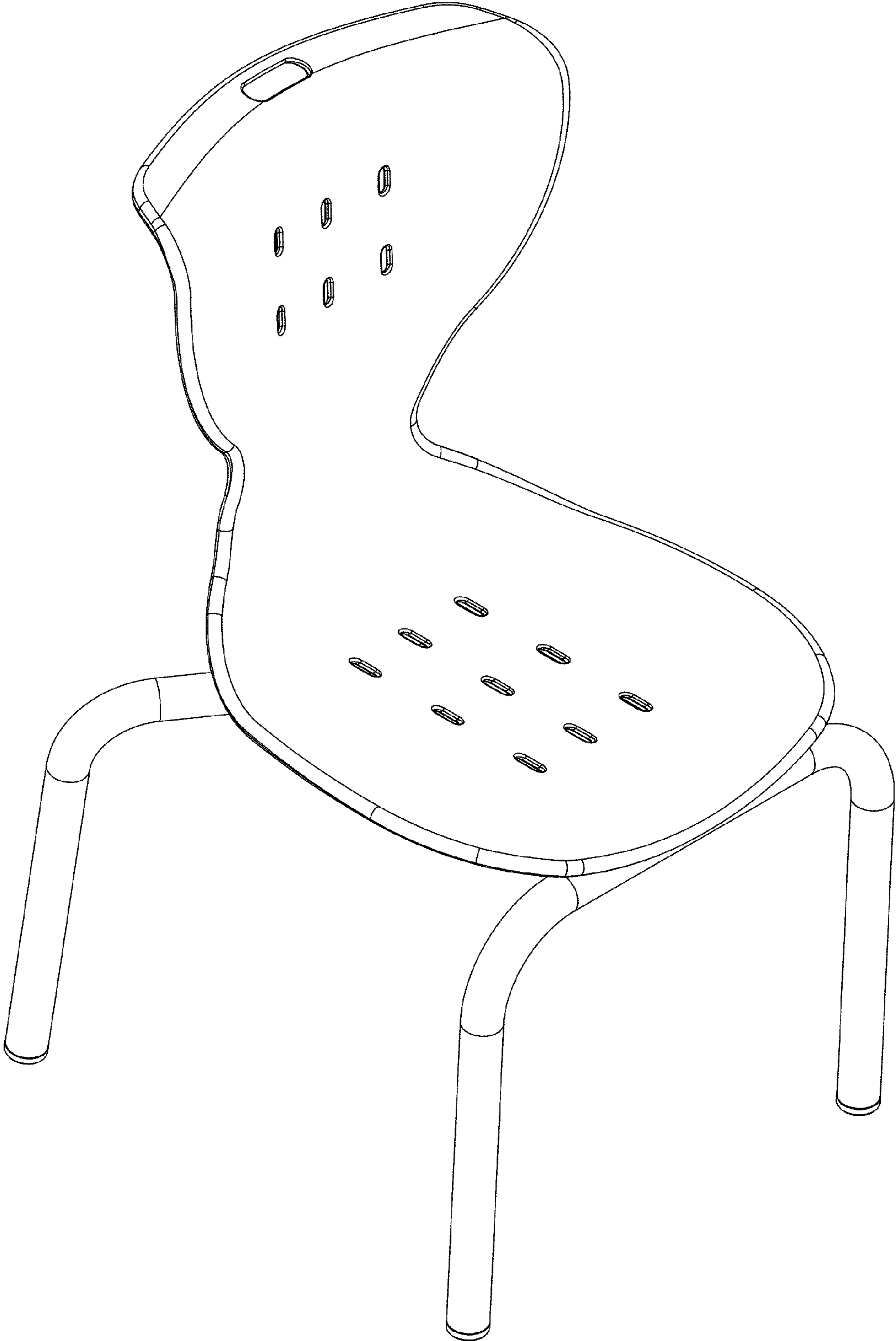


FIG. 1

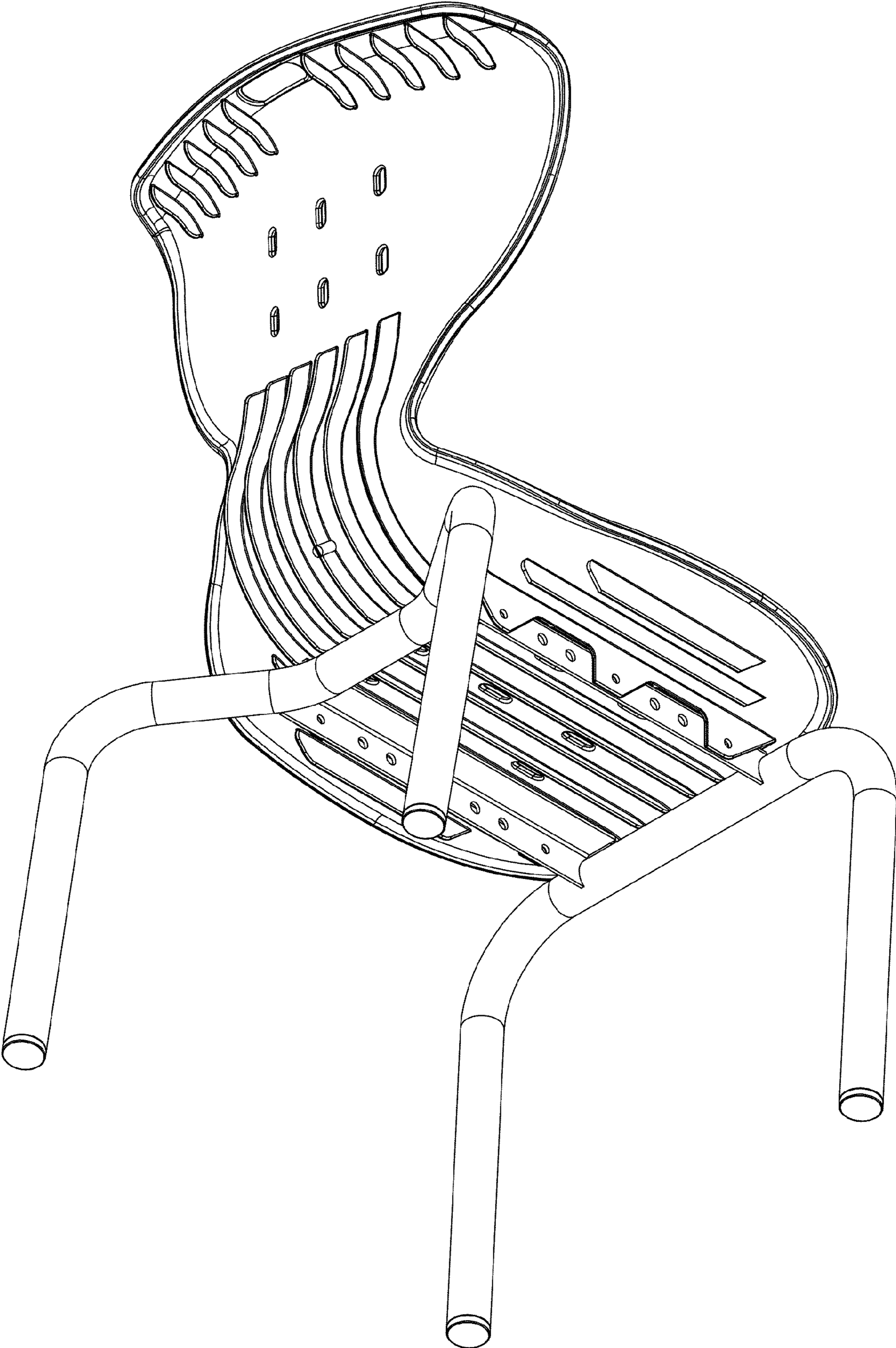


FIG. 2

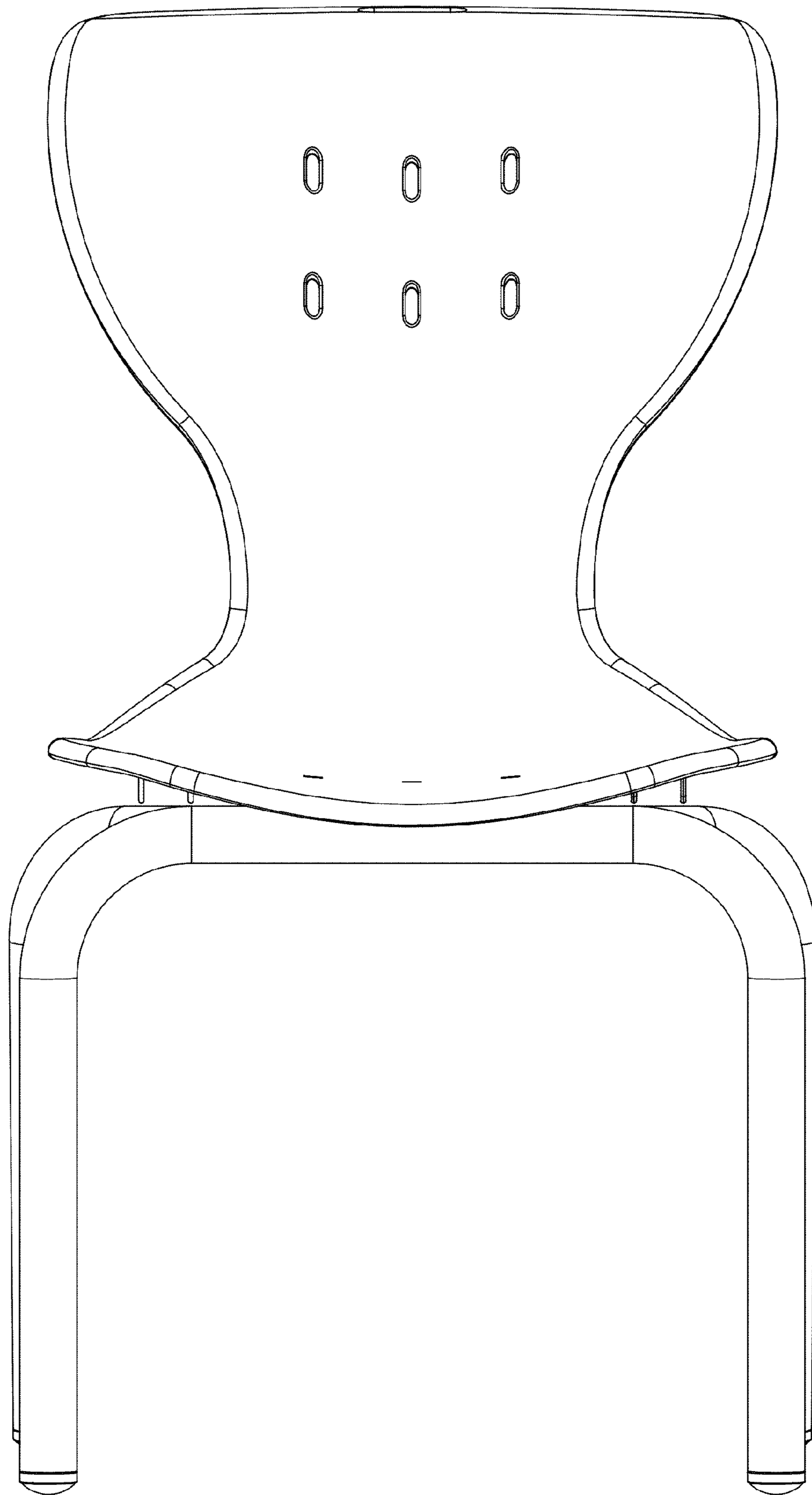


FIG. 3

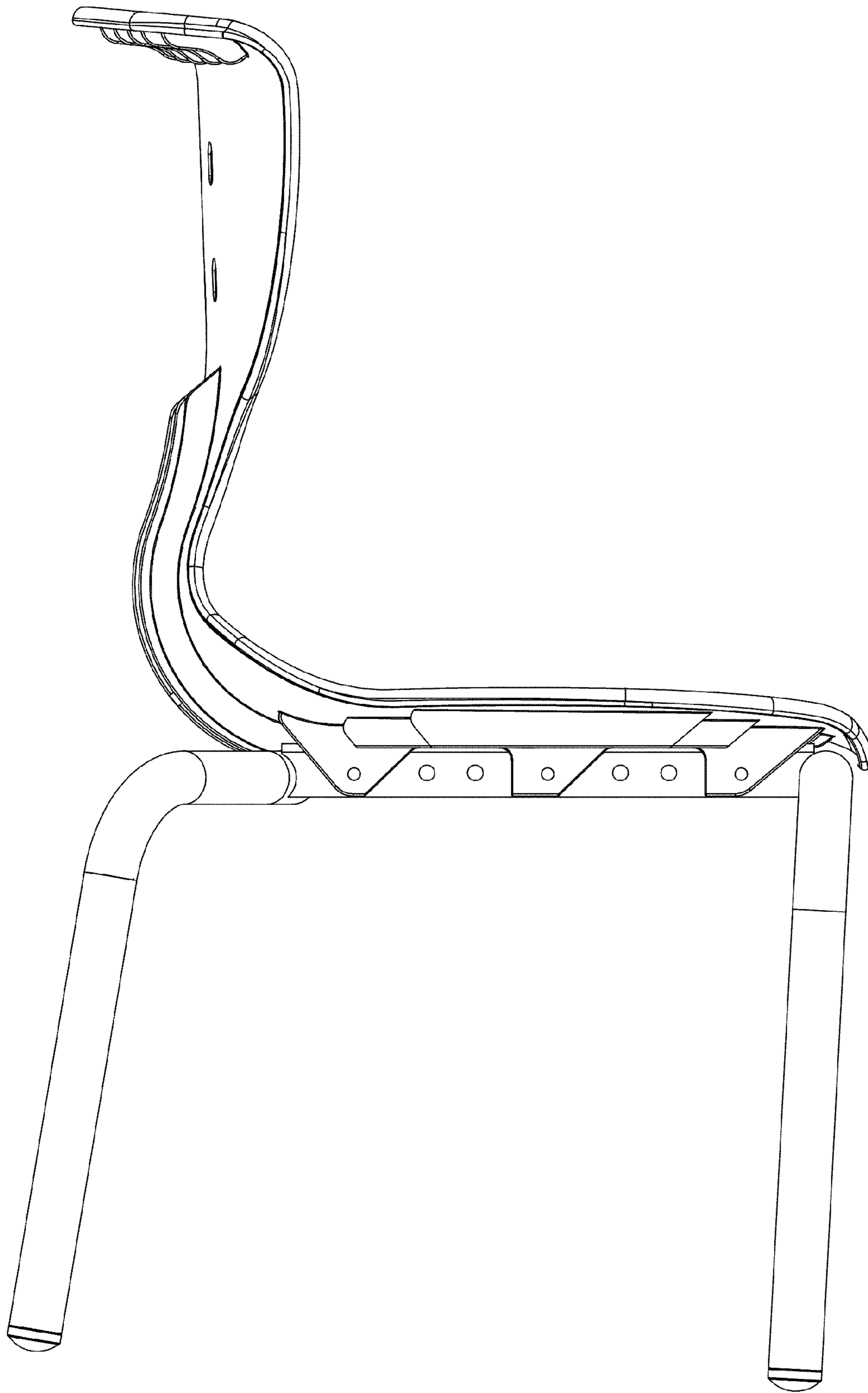


FIG. 4

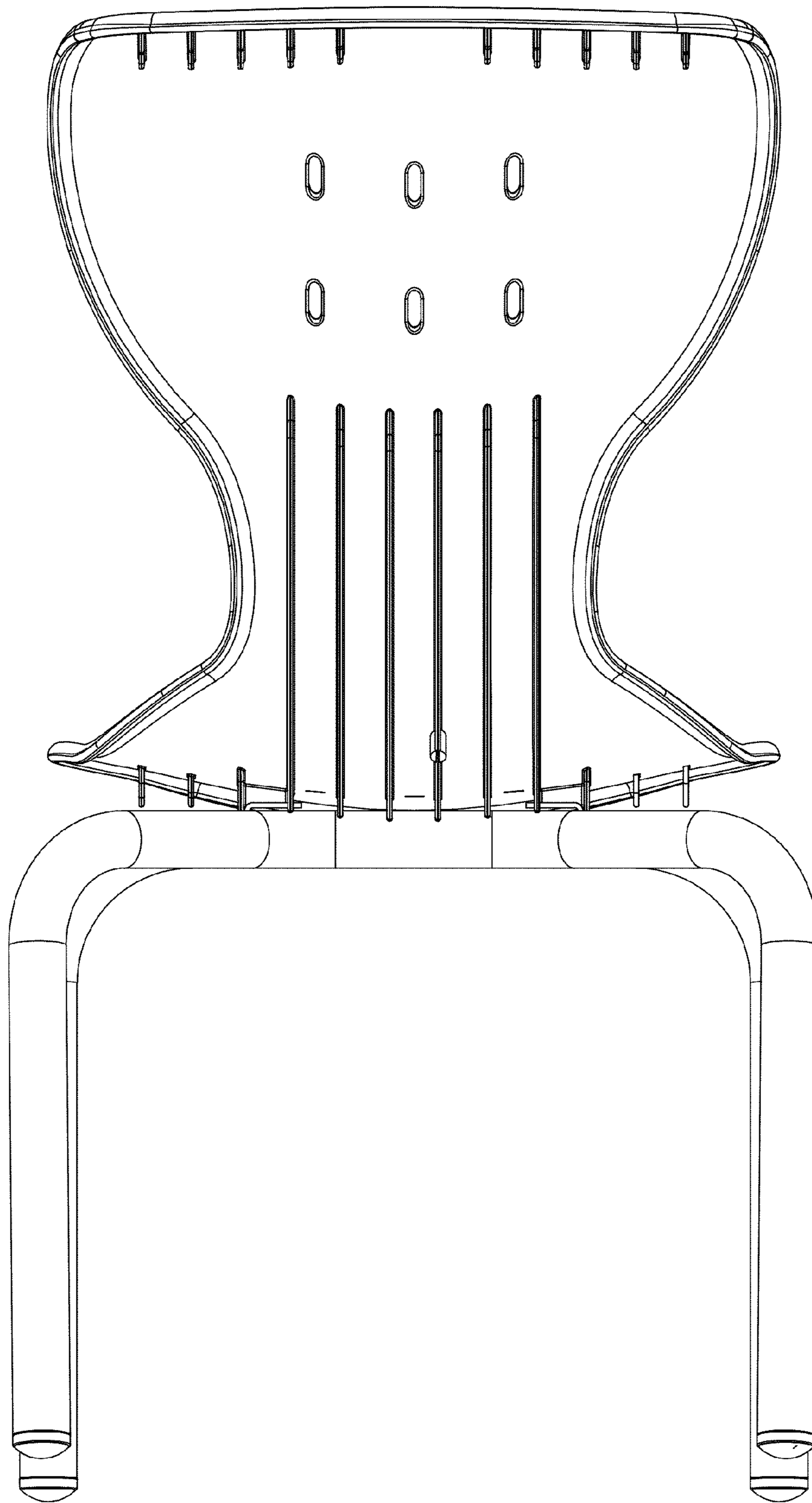


FIG. 5

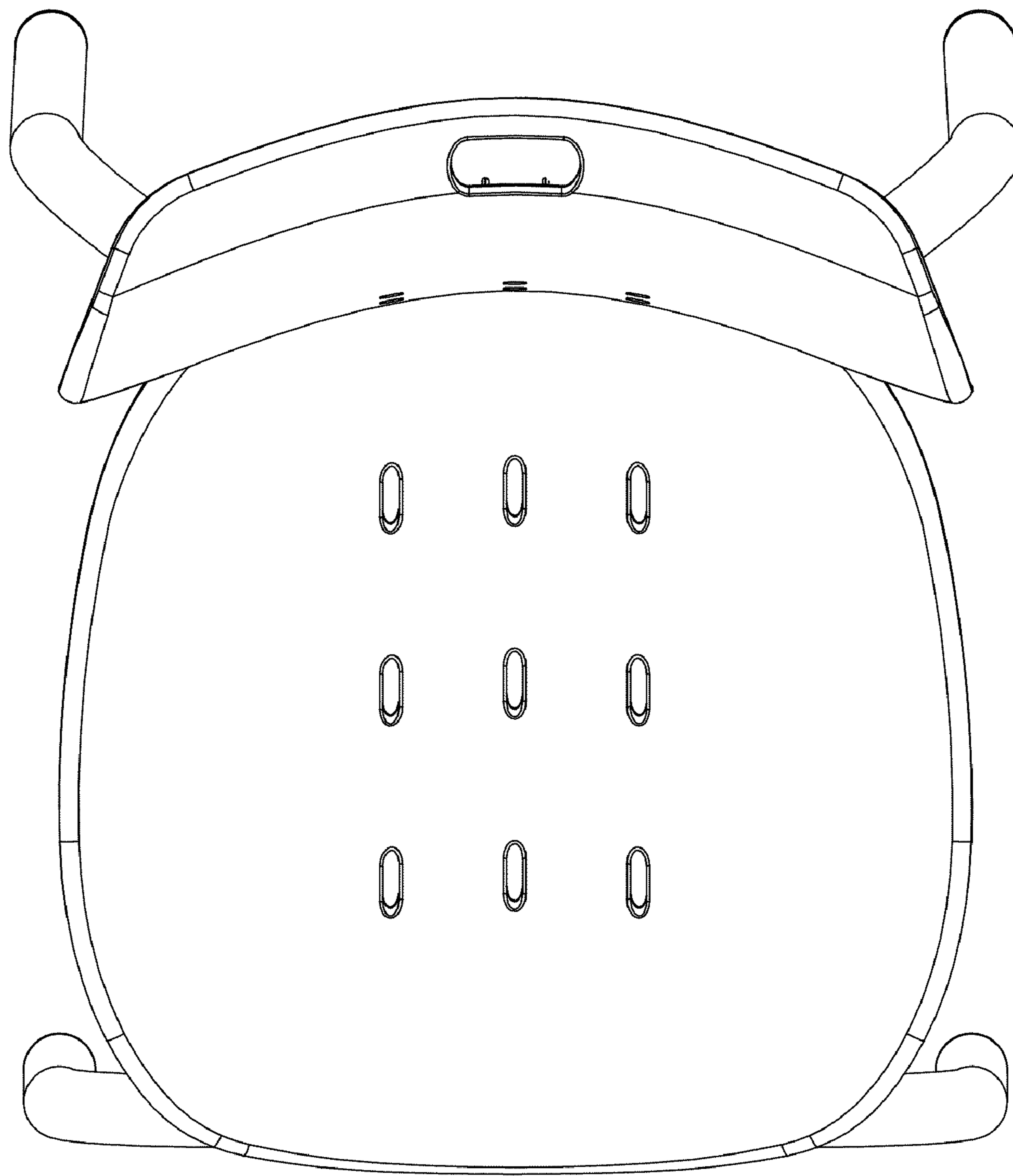


FIG. 6

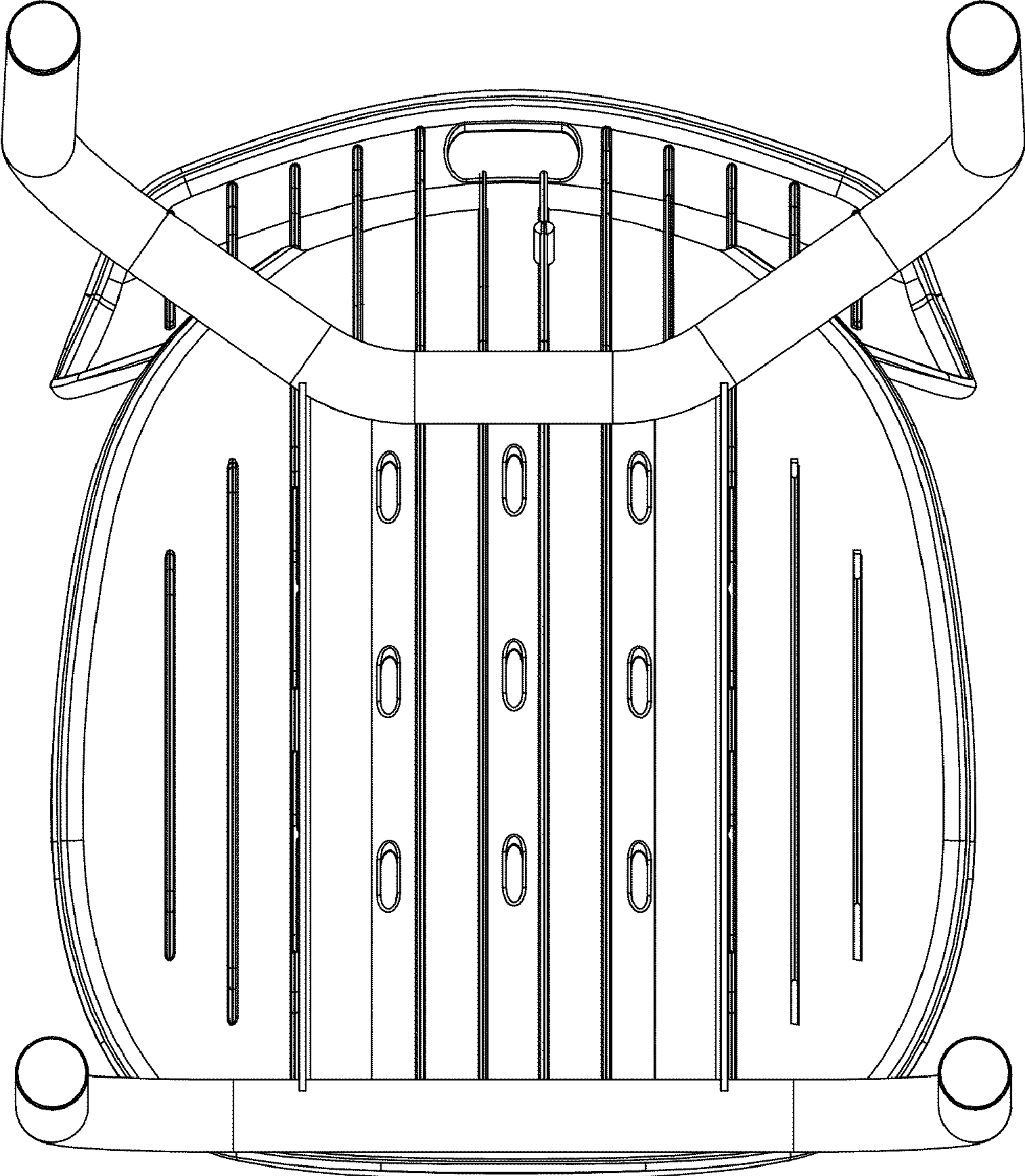


FIG. 7