



US00D648558S

(12) **United States Design Patent**  
**Lievore et al.**

(10) **Patent No.:** **US D648,558 S**

(45) **Date of Patent:** **\*\* Nov. 15, 2011**

(54) **CHAIR**

(75) Inventors: **Alberto Lievore**, Barcelona (ES);  
**Jannette Altherr**, Barcelona (ES);  
**Manuel Molina**, Barcelona (ES)

(73) Assignee: **Arper S.p.A.**, Treviso (IT)

(\*\*) Term: **14 Years**

(21) Appl. No.: **29/390,057**

(22) Filed: **Apr. 19, 2011**

(30) **Foreign Application Priority Data**

Oct. 20, 2010 (WO) ..... 569740101

(51) **LOC (9) Cl.** ..... **06-01**

(52) **U.S. Cl.** ..... **D6/372**

(58) **Field of Classification Search** ..... D6/334-336,  
D6/371, 372, 373, 374, 375, 376, 379, 380,  
D6/499, 500-502; 297/411.42, 447.1, 448.2,  
297/451.3, 451.7, 452.12, 452.14, 452.19,  
297/452.2

See application file for complete search history.

(56) **References Cited**

U.S. PATENT DOCUMENTS

D226,747	S	*	4/1973	Koepke	.....	D6/373
D264,149	S	*	5/1982	Buhk	.....	D6/372
D300,484	S	*	4/1989	Vignelli et al.	.....	D6/373
D327,783	S	*	7/1992	Currimjee	.....	D6/372
D351,510	S	*	10/1994	Lucci et al.	.....	D6/372
D355,080	S	*	2/1995	Lucci et al.	.....	D6/372
D360,770	S	*	8/1995	Scheper et al.	.....	D6/372
D399,072	S	*	10/1998	Holbrook	.....	D6/372
D565,318	S	*	4/2008	Alter Molina et al.	.....	D6/375

\* cited by examiner

*Primary Examiner* — Mimoso De

(74) *Attorney, Agent, or Firm* — Shoemaker and Mattare

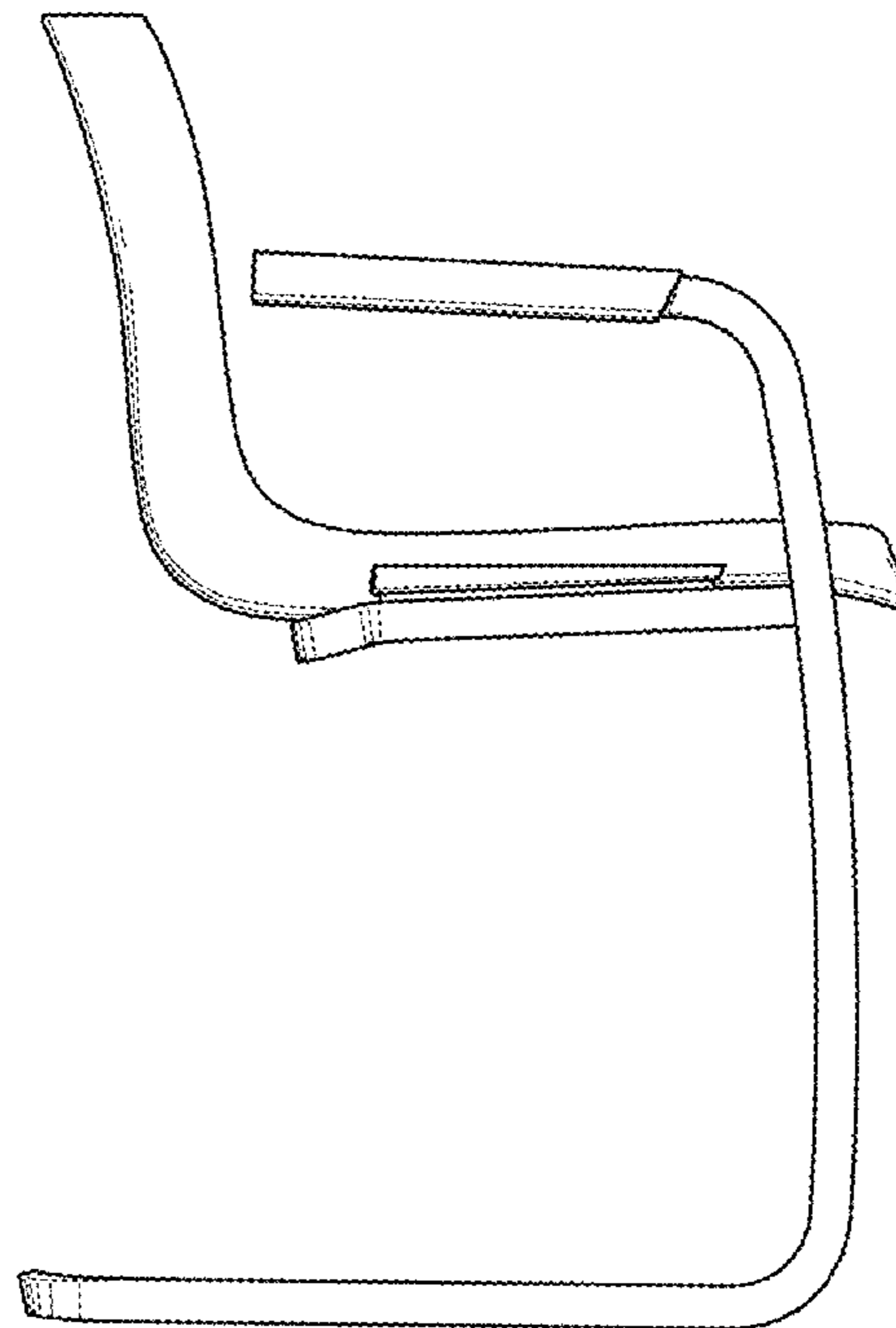
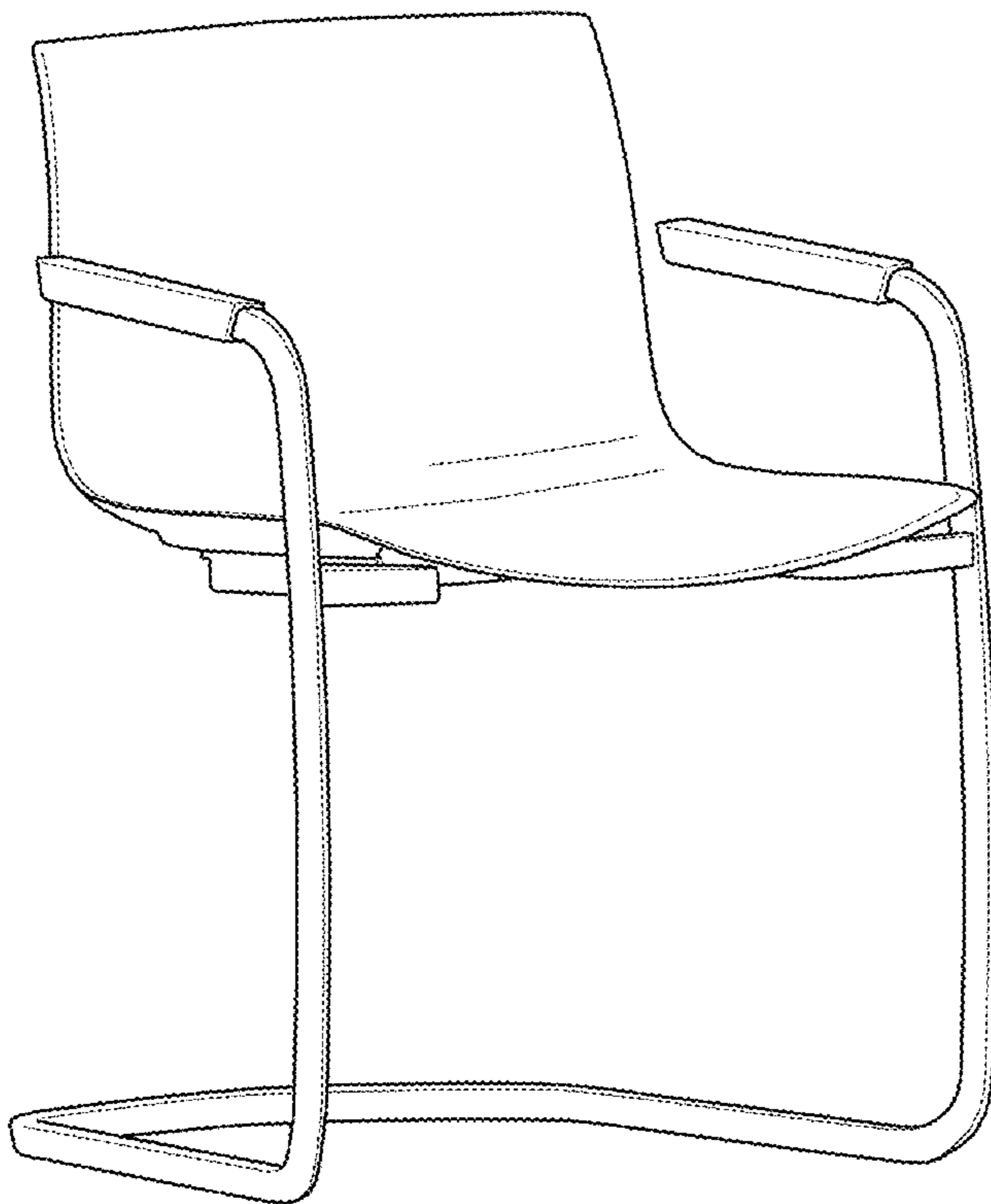
(57) **CLAIM**

The ornamental design for a chair, as shown and described.

**DESCRIPTION**

FIG. 1 is a perspective view of a chair, showing our new design from the front and right side;  
FIG. 2 is a right side elevational view thereof;  
FIG. 3 is a left side elevational view thereof;  
FIG. 4 is a front elevational view thereof;  
FIG. 5 is a rear elevational view thereof;  
FIG. 6 is a top plan view thereof; and,  
FIG. 7 is a bottom plan view thereof.

**1 Claim, 7 Drawing Sheets**



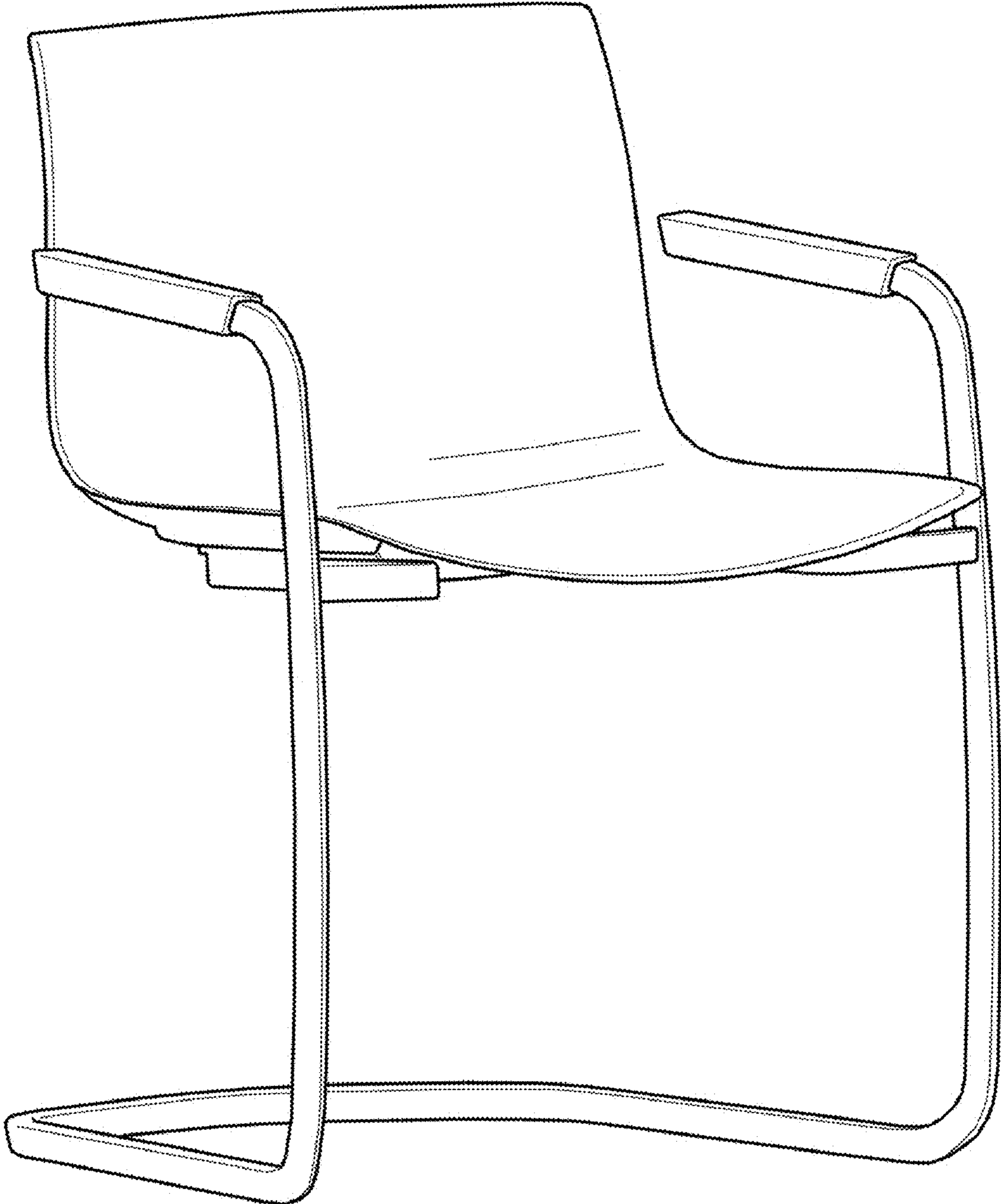


Fig. 1

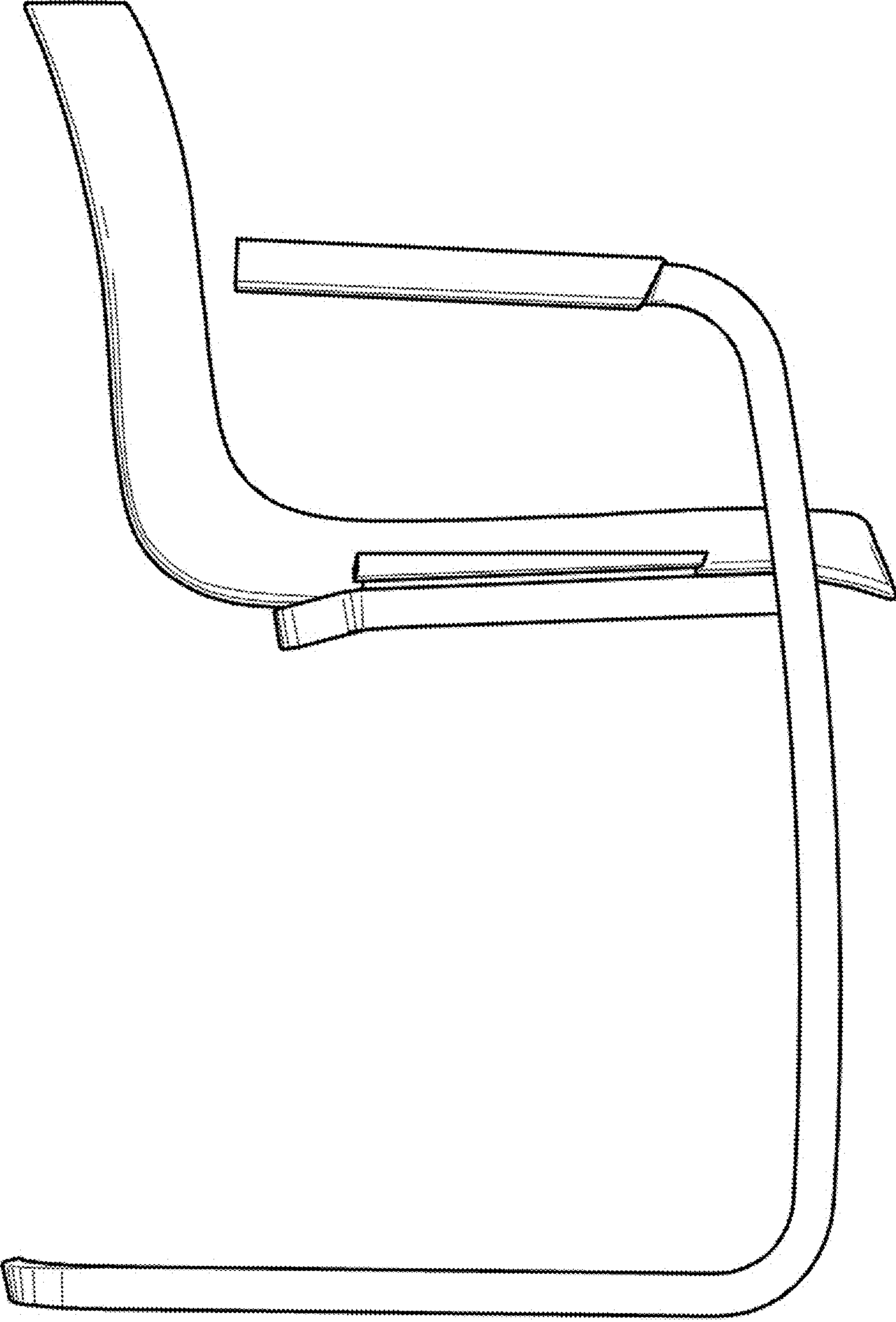


Fig. 2

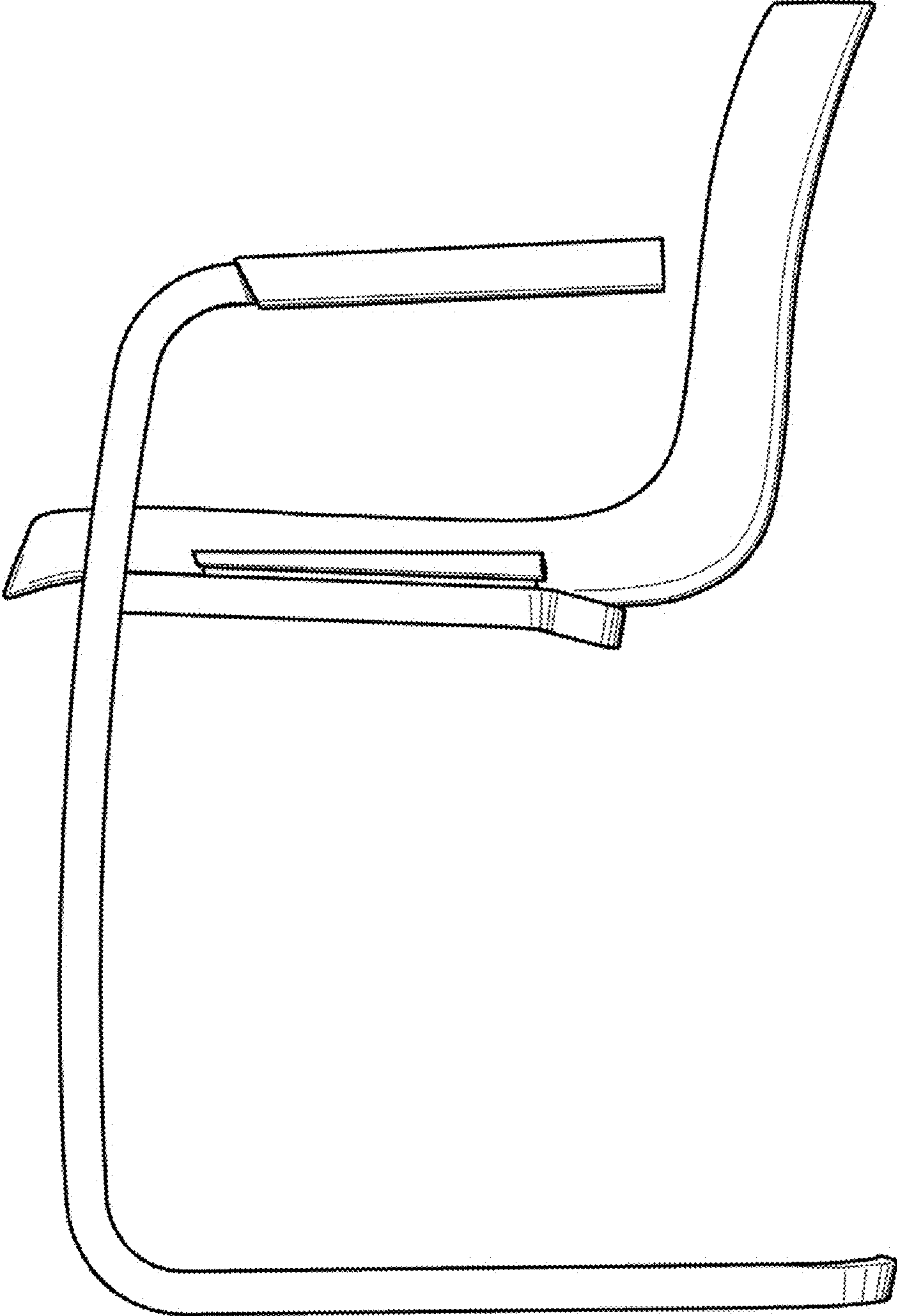


Fig. 3

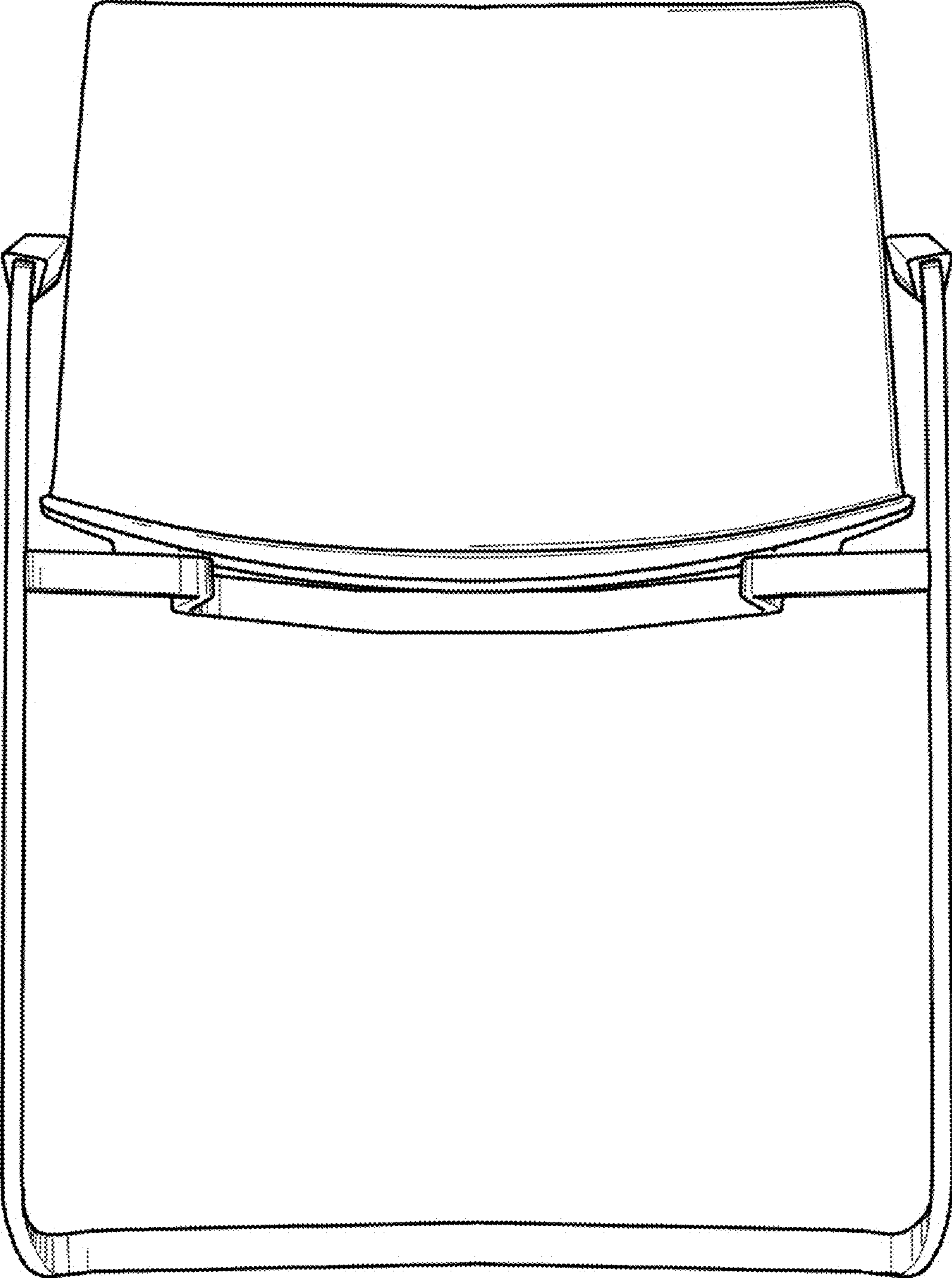


Fig. 4

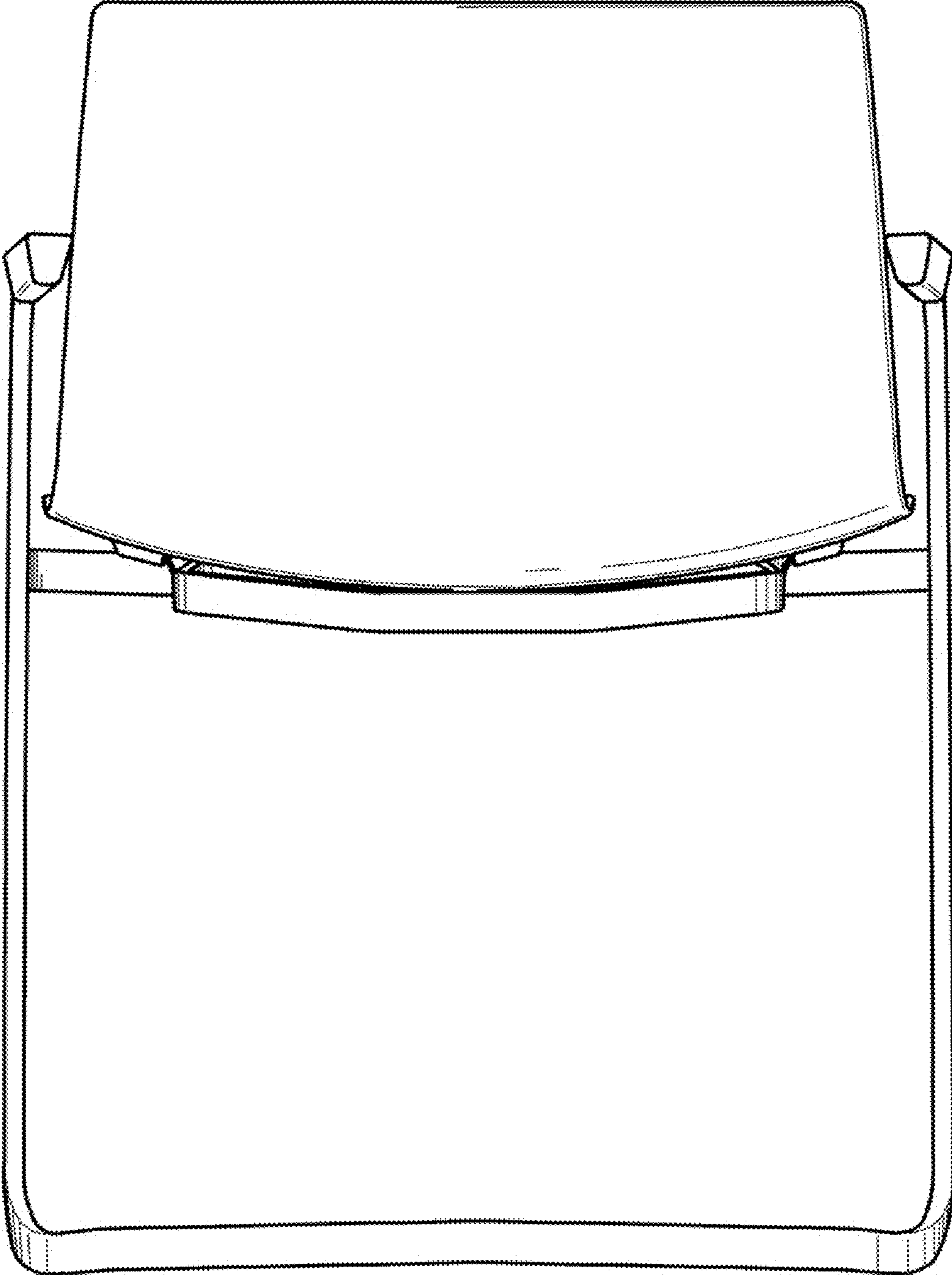


Fig. 5

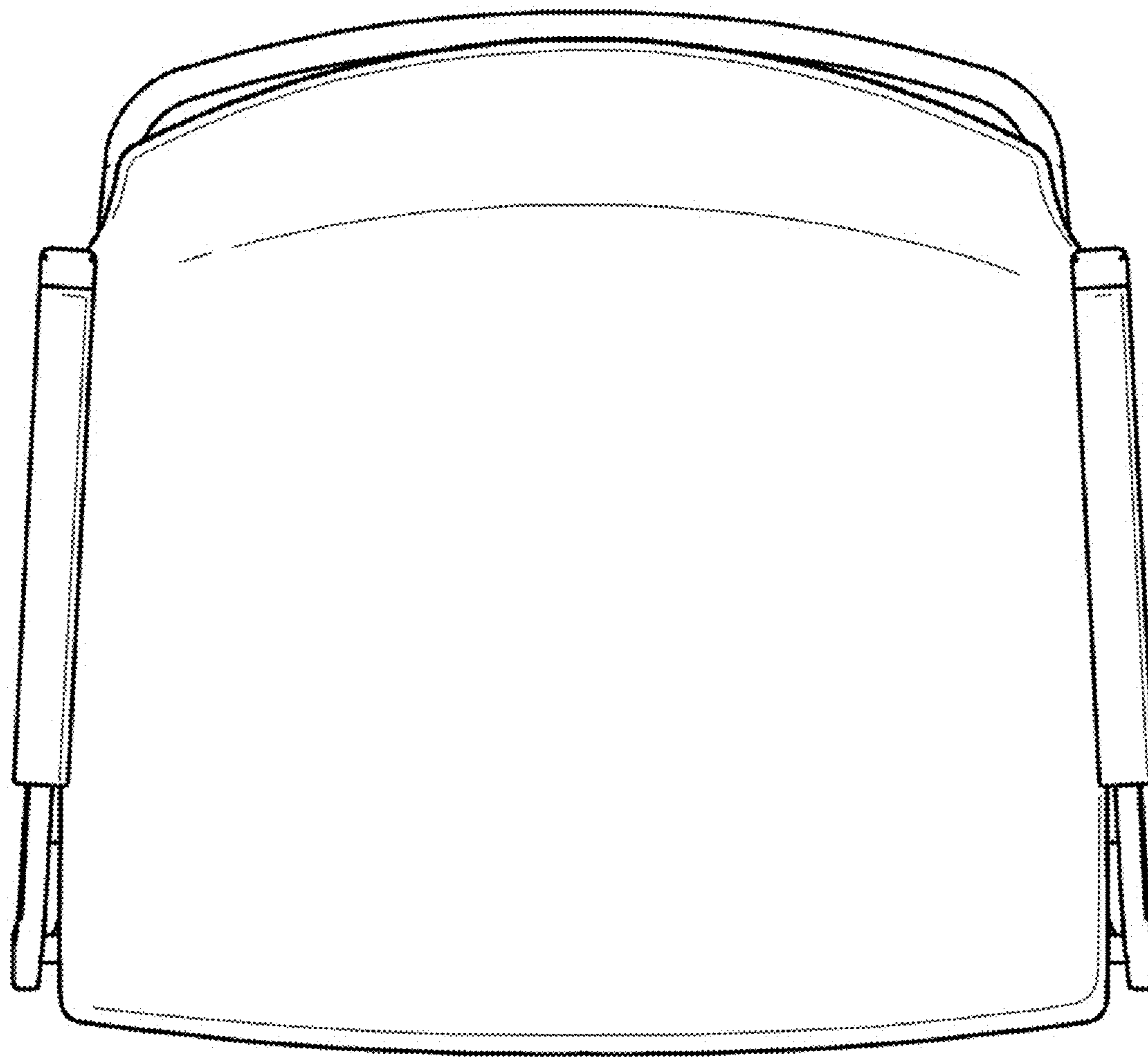


Fig. 6

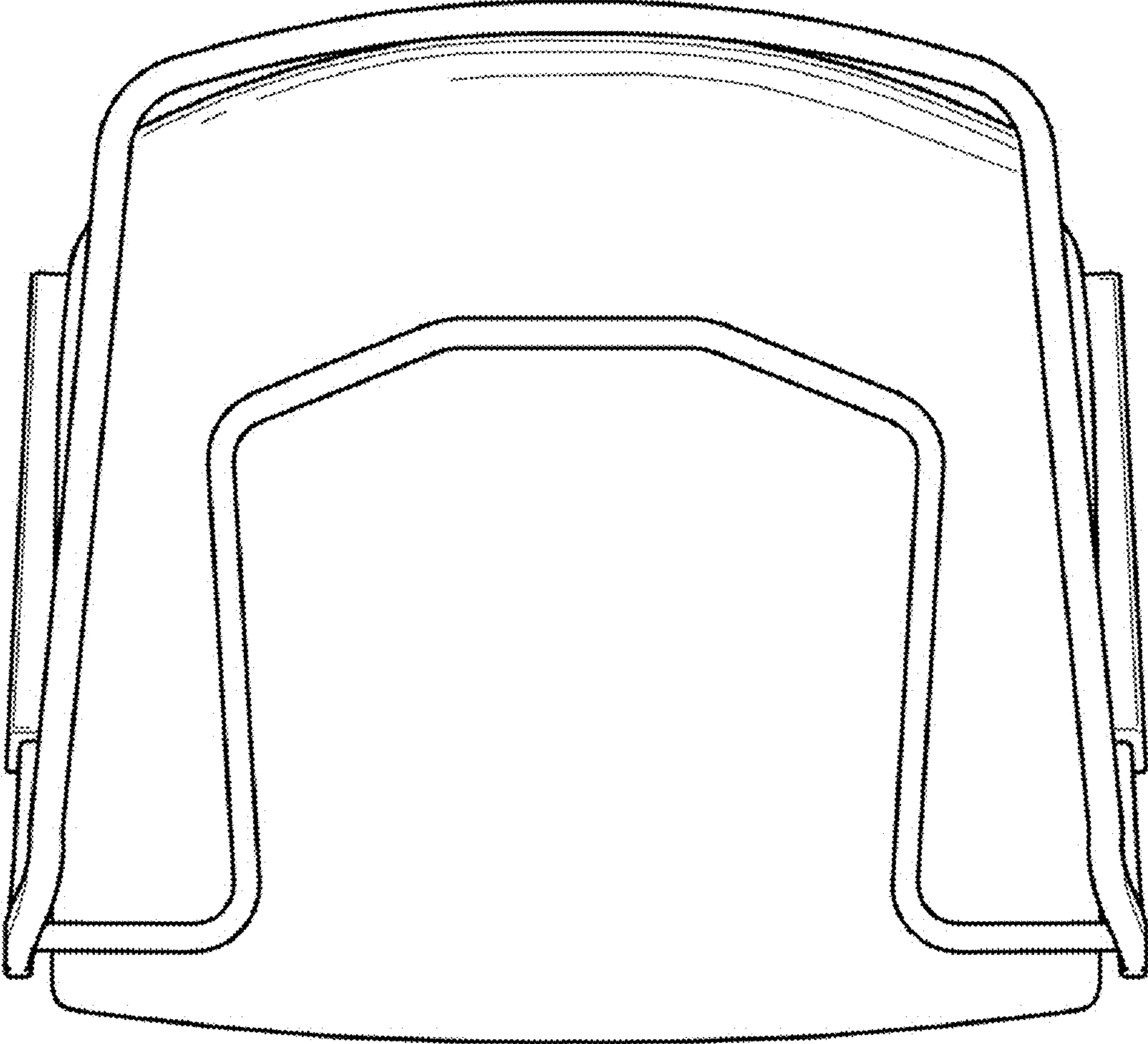


Fig. 7