



US00D648557S

(12) **United States Design Patent**
Frnier

(10) **Patent No.:** **US D648,557 S**

(45) **Date of Patent:** **** Nov. 15, 2011**

(54) **CHAIR**

(75) Inventor: **Richard Frnier**, Long Beach, CA (US)

(73) Assignee: **DEDON GmbH**, Luneburg (DE)

(**) Term: **14 Years**

(21) Appl. No.: **29/378,053**

(22) Filed: **Oct. 28, 2010**

(30) **Foreign Application Priority Data**

Aug. 5, 2010 (EM) 001740267

(51) **LOC (9) Cl.** **06-01**

(52) **U.S. Cl.** **D6/369; D6/379**

(58) **Field of Classification Search** D6/334,
D6/335, 336, 360, 369, 370, 374, 379, 380,
D6/500-502; 297/411.42, 411.43, 445.1,
297/446.1, 451.9, 452.63, 452.64
See application file for complete search history.

(56) **References Cited**

U.S. PATENT DOCUMENTS

D183,618 S * 9/1958 Kofod-Larsen D6/379
D193,842 S * 10/1962 Ohlsson D6/379
D193,843 S * 10/1962 Ohlsson D6/379
D204,451 S * 4/1966 Straits D6/379

D446,956 S * 8/2001 Black D6/369
D457,342 S * 5/2002 Muller D6/370
D478,429 S * 8/2003 Caldwell D6/369
D520,255 S * 5/2006 King D6/370
D524,072 S * 7/2006 King D6/380
D547,560 S * 7/2007 Wang D6/369
D557,919 S * 12/2007 Rech D6/369
D572,935 S * 7/2008 Sargent D6/379
D575,072 S * 8/2008 Lowsky D6/370

* cited by examiner

Primary Examiner — Mimosa De

(74) *Attorney, Agent, or Firm* — C. Brandon Browning;
Maynard Cooper & Gale, PC

(57) **CLAIM**

The ornamental design for a chair, as shown and described.

DESCRIPTION

FIG. 1 is a front perspective view of a chair in accordance with the present invention.

FIG. 2 is a side elevational view of the chair of FIG. 1.

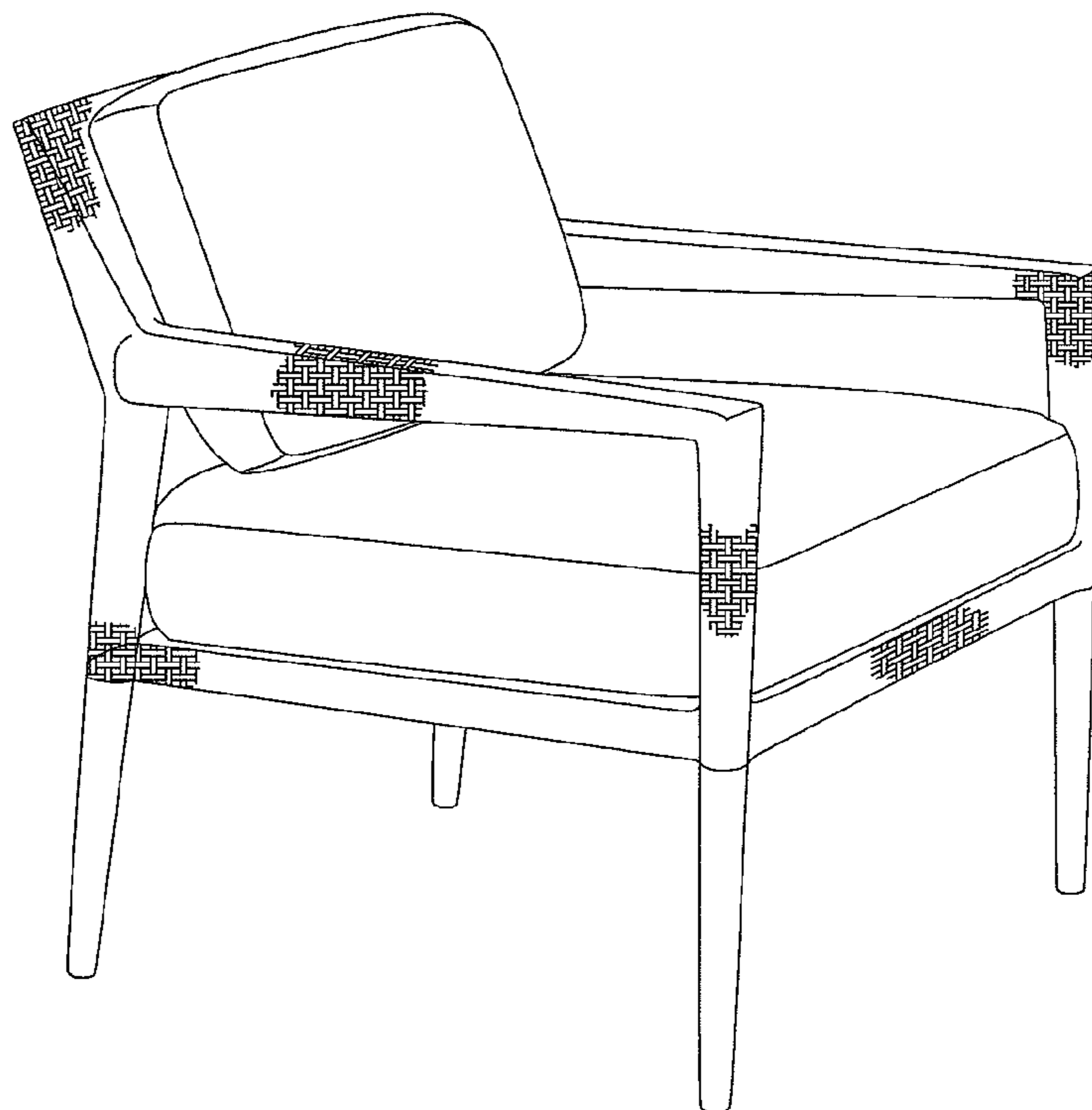
FIG. 3 is a front elevational view of the chair of FIG. 1.

FIG. 4 is a rear elevational view of the chair of FIG. 1; and,

FIG. 5 is a top plan view of the chair of FIG. 1.

The fragmented depictions of weave pattern shown in the views are understood to repeat throughout the areas shown.

1 Claim, 5 Drawing Sheets



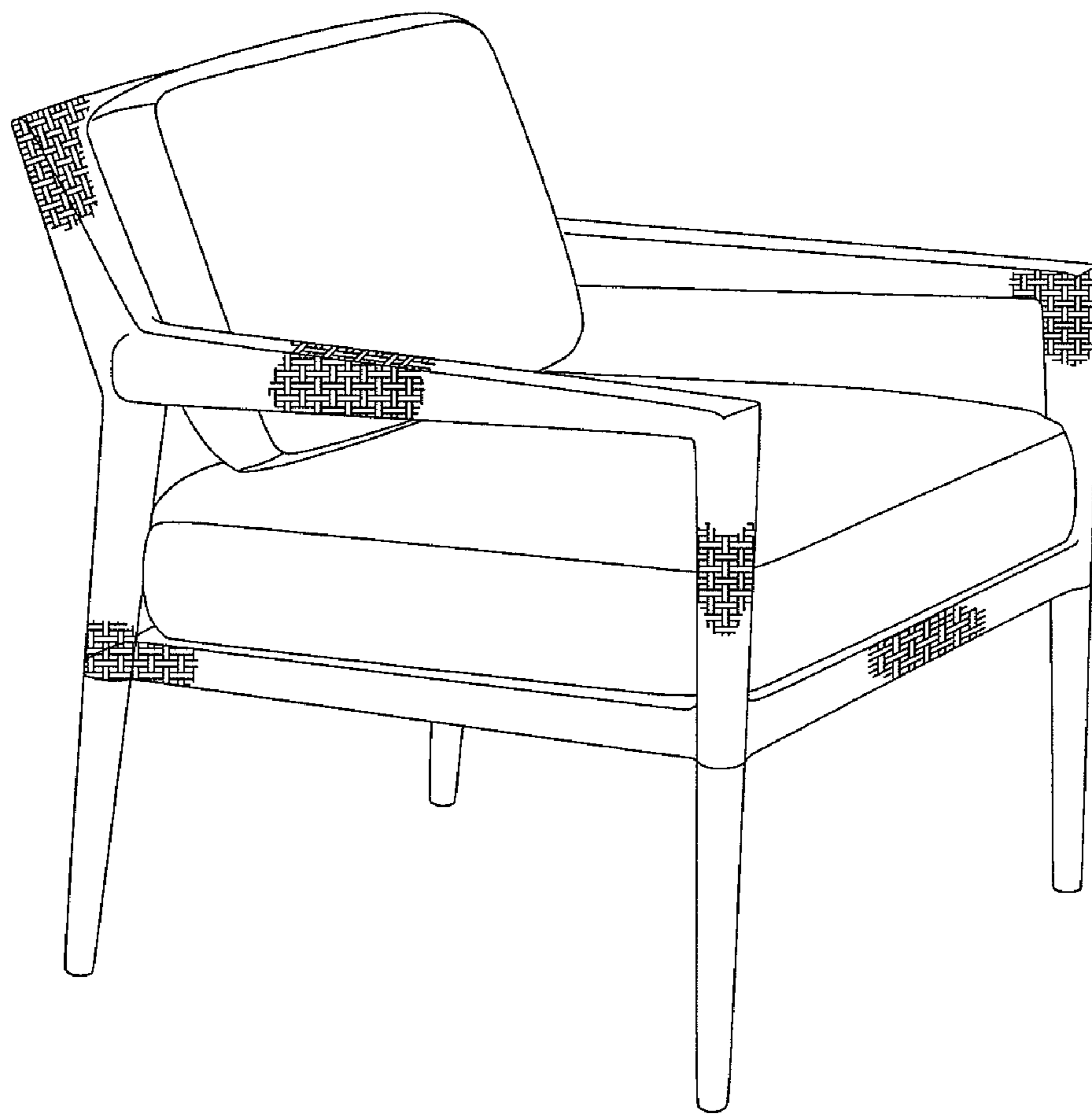


FIG. 1

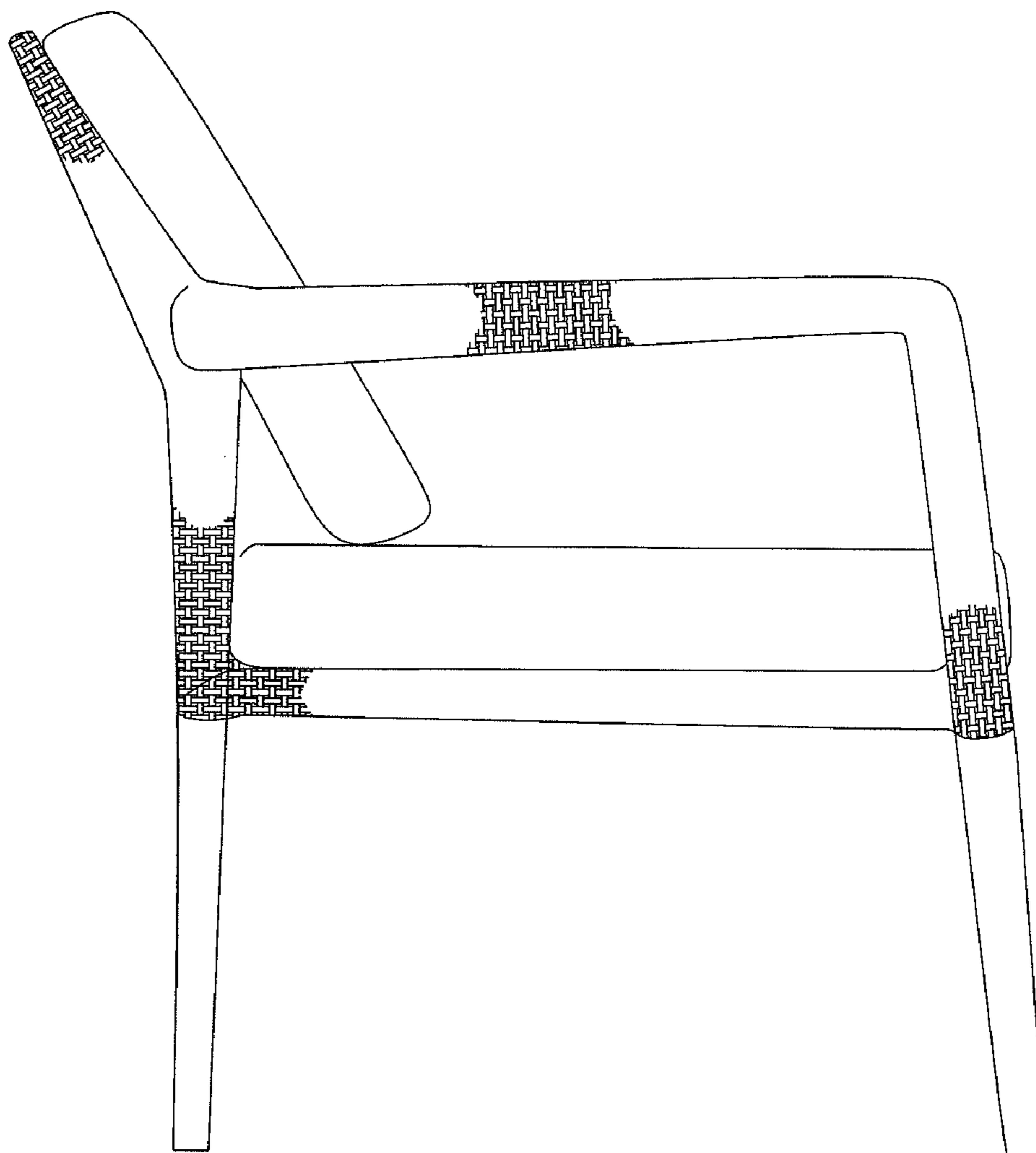


FIG. 2

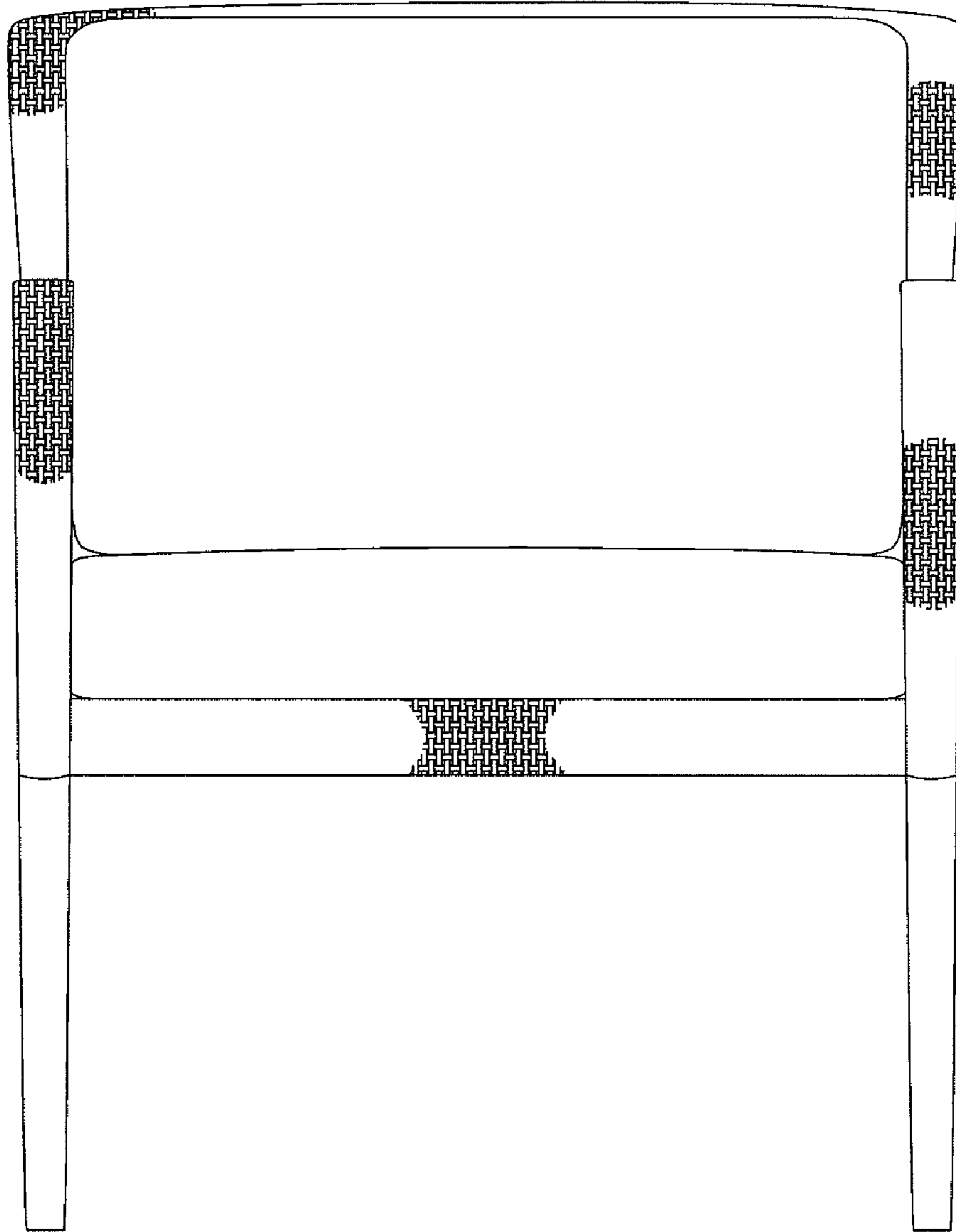


FIG. 3

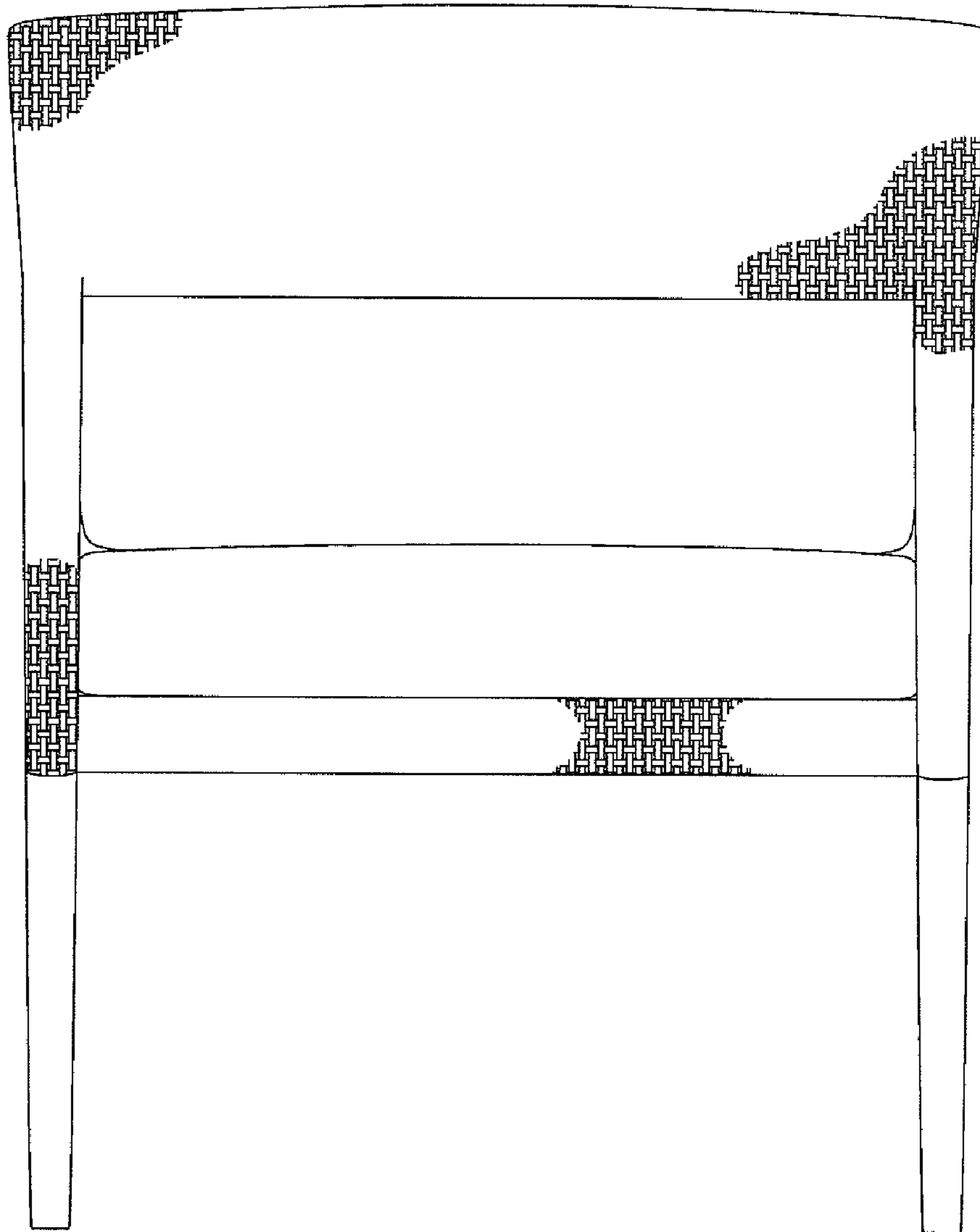


FIG. 4

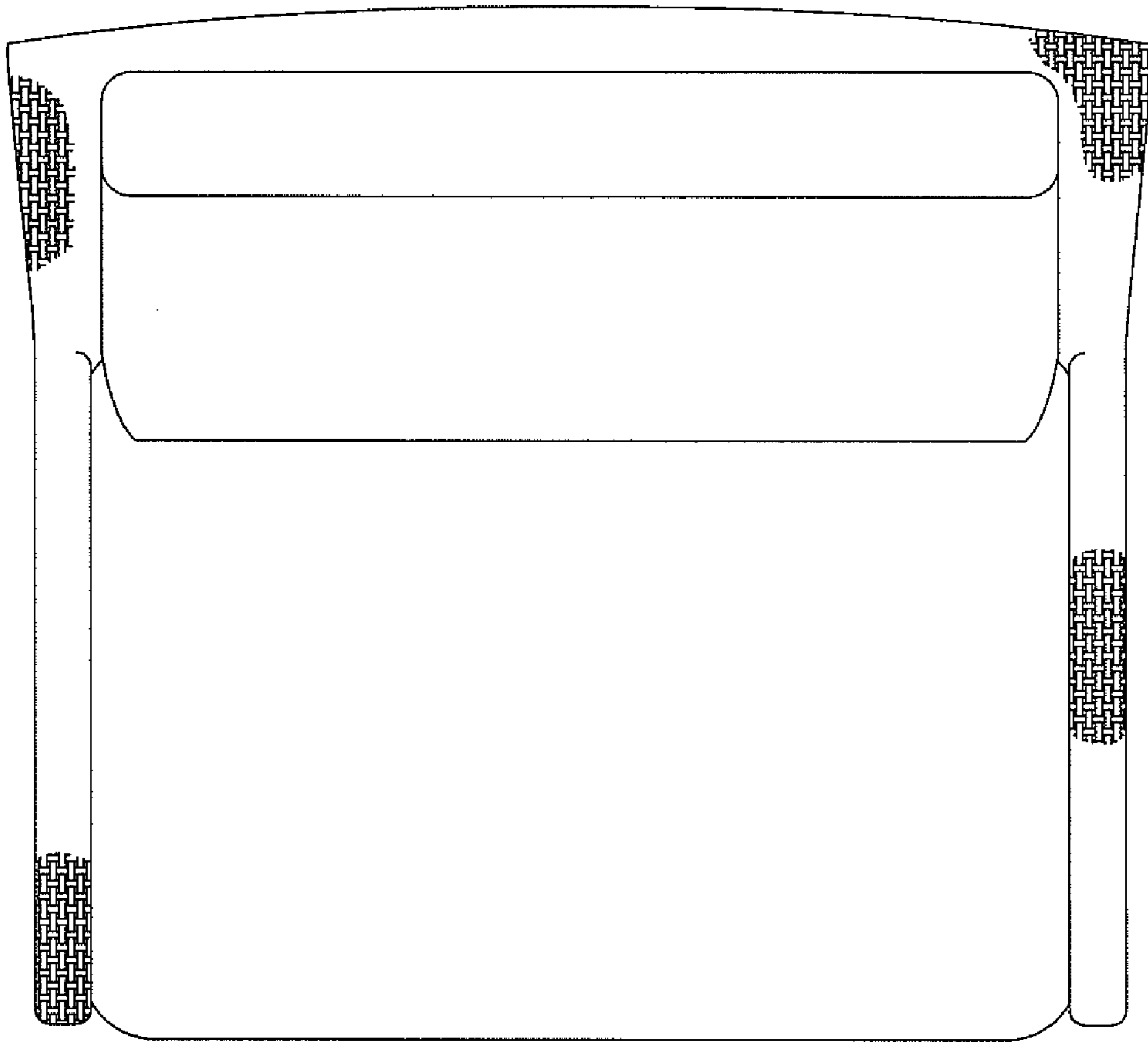


FIG. 5