

US00D648554S

(12) **United States Design Patent**
Smith

(10) **Patent No.:** **US D648,554 S**

(45) **Date of Patent:** **** Nov. 15, 2011**

(54) **MESH STACKING CHAIR**

(75) Inventor: **Richard D. Smith**, Spanish Fork, UT
(US)

(73) Assignee: **Mity-Lite, Inc.**, Orem, UT (US)

(**) Term: **14 Years**

(21) Appl. No.: **29/346,705**

(22) Filed: **Nov. 4, 2009**

(51) **LOC (9) Cl.** **06-01**

(52) **U.S. Cl.** **D6/368**

(58) **Field of Classification Search** D6/335,
D6/368, 347, 346, 500-502; 297/16.1, 34,
297/55-59, 239, 248, 301.3, 303.3, 448.4,
297/452.1, 452.53

See application file for complete search history.

(56) **References Cited**

U.S. PATENT DOCUMENTS

30,858 A	12/1860	Pratt
71,045 A	11/1867	Nicolai
105,253 A	7/1870	Rodgers
116,811 A	7/1871	Collignon
128,767 A	7/1872	Viele
133,503 A	11/1872	Travis et al.
157,028 A	11/1874	Savoral
169,748 A	11/1875	Wakefield
190,827 A	5/1877	Closterman, Jr.
198,421 A	12/1877	Smith
210,842 A	12/1878	Dick
276,881 A	5/1883	Roberts
328,838 A	10/1885	Chichester
451,556 A	5/1891	Hallett
473,704 A	1/1892	Le Count
481,816 A	8/1892	Perry
504,446 A	9/1893	Dodd
77,327 A	1/1905	Stiggleman
779,327 A	1/1905	Stiggleman
898,235 A	9/1908	Lloyd
945,032 A	1/1910	Gillespie

976,786 A	11/1910	Moulin
1,181,357 A	5/1916	Thonet
1,291,551 A	1/1919	Kirk
1,355,669 A	10/1920	Henry
1,408,114 A	2/1922	Mathieu
1,591,550 A	7/1926	Rosenthal
1,608,911 A	11/1926	Smith

(Continued)

FOREIGN PATENT DOCUMENTS

DE 4135603 5/1992

(Continued)

OTHER PUBLICATIONS

Smith, Richard et al., U.S. Appl. No. 12/755,995, filed Apr. 7, 2010.

(Continued)

Primary Examiner — Elizabeth Albert

Assistant Examiner — Kelley Donnelly

(74) *Attorney, Agent, or Firm* — Thorpe North & Western LLP

(57) **CLAIM**

The ornamental design for the mesh stacking chair, as shown and described.

DESCRIPTION

FIG. 1 is a front perspective view of the mesh stacking chair in accordance with my invention;

FIG. 2 is a front elevation view thereof;

FIG. 3 is a rear elevation view thereof;

FIG. 4 is a left side elevation view thereof;

FIG. 5 is a right side elevation view thereof;

FIG. 6 is a top plan view thereof; and,

FIG. 7 is a bottom plan view thereof.

The broken lines showing is included for the purpose of illustrating environment and forms no part of the claimed design.

1 Claim, 7 Drawing Sheets



US D648,554 S

U.S. PATENT DOCUMENTS					
D75,556 S	6/1928	Glantz	3,610,686 A	10/1971	Caruso
1,701,684 A	2/1929	Lee	3,614,157 A	10/1971	Hendrickson
1,730,916 A	10/1929	Cable	3,630,572 A	12/1971	Homler
1,740,806 A	12/1929	Clarin	3,639,001 A	2/1972	Anderson
1,746,952 A	2/1930	Marwell	3,669,496 A	6/1972	Chisholm
1,789,295 A	1/1931	Bauer	3,669,497 A	6/1972	Massonnet
1,815,643 A	7/1931	Allerding	3,695,687 A	10/1972	Uyeda
1,825,358 A	9/1931	Scully	3,695,694 A	10/1972	Mohr
1,825,368 A	9/1931	Scully	3,695,964 A	10/1972	Shaines et al.
1,838,213 A	12/1931	Buffington	3,697,130 A	10/1972	Barecki et al.
1,873,768 A	8/1932	Kux	3,708,202 A	1/1973	Barecki et al.
1,874,434 A	8/1932	Brown	3,712,666 A	1/1973	Stoll
1,900,486 A	3/1933	Clarin	3,730,465 A	5/1973	Gonzalez
1,934,307 A	11/1933	Hardester	3,755,853 A	9/1973	Barile
1,975,622 A	10/1934	Schermerhorn	3,758,155 A	9/1973	Straits
1,989,865 A	2/1935	Johanson	3,774,967 A	11/1973	Rowland
1,993,601 A	3/1935	Goldberg	3,802,734 A	4/1974	Lindley
2,174,224 A	9/1937	Geller	3,813,149 A	5/1974	Lawrence et al.
2,098,888 A	11/1937	Schadler	3,838,884 A	10/1974	Faiks et al.
D107,545 S	12/1937	O'Connor	3,840,269 A	10/1974	Ambrose
2,126,439 A	8/1938	Zerbee	3,844,517 A	10/1974	Fraser
2,127,710 A	8/1938	Baker	3,845,984 A	11/1974	Rowland
2,186,301 A	1/1940	La More	3,847,433 A	11/1974	Acton et al.
2,262,500 A	11/1941	Johannsen	3,899,207 A	8/1975	Mueller
2,303,189 A	11/1942	Adler	3,904,242 A	9/1975	Koepke et al.
2,364,093 A	12/1944	O'Connor	3,906,592 A	9/1975	Sakasegawa et al.
2,364,647 A	12/1944	O'Connor	3,924,893 A	12/1975	Ferrara
2,381,574 A	8/1945	Clarin	3,939,565 A	2/1976	Bush
2,514,125 A	7/1950	Evans	4,057,288 A	11/1977	Schwartz et al.
2,568,269 A	9/1951	Burnham et al.	4,062,589 A	12/1977	Klein et al.
3,021,175 A	2/1952	Norquist	4,064,815 A	12/1977	Baum
2,666,478 A *	1/1954	Shwayder 297/58	4,066,295 A	1/1978	Severson
2,699,814 A	1/1955	Kahm	D249,417 S	9/1978	Ambasz
2,706,517 A	4/1955	Dexter et al.	4,155,592 A	5/1979	Tsuda et al.
D178,900 S	10/1956	O'Neill	4,235,473 A	11/1980	Aginar
2,788,531 A	4/1957	Dye et al.	4,278,287 A	7/1981	Homestead
2,865,437 A	12/1958	Shwayder	4,291,855 A	9/1981	Schenkel et al.
2,874,755 A	2/1959	Smith	4,318,570 A	3/1982	Adam et al.
2,877,829 A	3/1959	Ferar et al.	4,319,779 A	3/1982	Leonhart
D186,505 S *	11/1959	King et al. D6/368	4,325,577 A	4/1982	Thebaud
2,924,830 A	2/1960	De Long	4,359,809 A	11/1982	Fraser
2,964,092 A	12/1960	Rassier	4,368,917 A	1/1983	Urai
2,982,339 A	5/1961	Clarin	4,382,453 A	5/1983	Bujan et al.
3,001,816 A	9/1961	Clarin	4,383,486 A	5/1983	Reineman et al.
3,009,738 A	11/1961	Piker	4,386,804 A	6/1983	Ware et al.
3,025,102 A	3/1962	Nash	4,400,031 A	8/1983	DeDecker
3,031,227 A	4/1962	Van Buren, Jr.	4,407,479 A	10/1983	Combe
3,057,660 A	10/1962	Schneider	4,451,085 A	5/1984	Franck et al.
3,059,919 A	10/1962	Marchino	4,456,296 A	6/1984	Rowland
3,087,755 A	4/1963	Boman	4,456,296 A	9/1984	Lantz
3,094,357 A	6/1963	Shwayder	D275,533 S	9/1984	Lantz
3,111,344 A	11/1963	Hoven et al.	4,498,702 A	2/1985	Raftery
3,123,399 A	3/1964	Wilson	4,502,731 A	3/1985	Snider
3,125,156 A	3/1964	Grimshaw	4,510,634 A	4/1985	Diedrich et al.
3,133,762 A	5/1964	Newman	4,533,174 A	8/1985	Fleishman
3,159,425 A	12/1964	Engstrom	4,541,150 A	9/1985	Brokmann
3,165,359 A	1/1965	Ashkouti	4,549,764 A	10/1985	Haedo
D200,532 S	3/1965	Williams	4,557,521 A	12/1985	Lange
D202,264 S	9/1965	Albinson	4,558,904 A	12/1985	Schultz
3,205,010 A	9/1965	Schick	4,561,622 A	12/1985	Heinzel
3,207,551 A	9/1965	Axtell	4,564,163 A	1/1986	Barnett
3,220,764 A	11/1965	Duer	4,569,496 A	2/1986	Fleishman
3,227,487 A	1/1966	Blanchard, Jr. et al.	4,580,836 A	4/1986	Verney
3,233,885 A	2/1966	Propst	4,583,778 A	4/1986	Liebhold
3,246,927 A	4/1966	Klassen	4,585,272 A	4/1986	Ballarini
3,246,928 A	4/1966	Haynes et al.	4,601,516 A	7/1986	Klein
3,278,227 A	10/1966	Rowland	4,603,904 A	8/1986	Tolleson et al.
3,291,523 A	12/1966	Kreuger	4,603,907 A	8/1986	Witzke
3,291,529 A	12/1966	Straits	4,617,869 A	10/1986	Denomey
3,363,943 A	1/1968	Getz et al.	4,624,432 A	11/1986	Salacuse
3,383,738 A	5/1968	Fox et al.	4,630,865 A	12/1986	Ahs
3,402,963 A	9/1968	Fujioka et al.	4,639,042 A	1/1987	Lange
3,419,295 A	12/1968	Small	4,648,653 A	3/1987	Rowland
3,463,547 A	8/1969	Brennan et al.	4,655,504 A	4/1987	Weber
3,529,866 A	9/1970	Getz	4,660,887 A	4/1987	Fleming et al.
3,531,157 A	9/1970	Duckett et al.	D290,070 S *	6/1987	Lange D6/380
3,540,776 A	11/1970	Wilson	4,684,172 A	8/1987	Lundquist
3,586,277 A	6/1971	Voris, Jr.	4,747,569 A	5/1988	Hoshino
			4,756,575 A	7/1988	Dicks
			4,790,595 A	12/1988	Hensel et al.

US D648,554 S

D300,885 S	5/1989	Ochsner	5,947,562 A	9/1999	Christofferson et al.	
4,830,250 A	5/1989	Newbold et al.	5,954,391 A	9/1999	Gray	
4,837,878 A	6/1989	Huemer	5,961,184 A	10/1999	Balderi et al.	
4,852,944 A	8/1989	Hartmann	5,964,443 A	10/1999	Leveille	
4,869,552 A	9/1989	Tolleson et al.	5,967,605 A	10/1999	Stanfiled	
4,881,705 A	11/1989	Kraus	5,975,626 A	11/1999	Aycock	
4,883,320 A	11/1989	Izumida et al.	5,975,634 A	11/1999	Knoblock et al.	
4,913,493 A	4/1990	Heidmann	5,988,746 A	11/1999	Raftery	
4,923,158 A	5/1990	Saisho	5,988,757 A	11/1999	Vishey et al.	
4,953,913 A	9/1990	Graebe	5,997,084 A	12/1999	Barile et al.	
4,962,964 A	10/1990	Snodgrass	6,003,948 A	12/1999	Holbrook	
4,978,168 A	12/1990	Piretti	D418,322 S	1/2000	Hock	
5,002,337 A	3/1991	Engel et al.	6,012,679 A	1/2000	Auestad	
5,013,089 A	5/1991	Abu-Isa et al.	6,030,037 A	2/2000	Ritch et al.	
5,020,749 A	6/1991	Kraus	6,035,901 A	3/2000	Stumpf et al.	
5,039,163 A	8/1991	Tolleson	6,050,646 A	4/2000	Stenzel et al.	
5,040,848 A	8/1991	Irie et al.	D425,717 S	5/2000	Tseng	
5,056,699 A	10/1991	Newbold et al.	6,056,354 A	5/2000	Tseng	
5,062,179 A	11/1991	Huang	6,059,368 A	5/2000	Stumpf et al.	
5,064,247 A	11/1991	Clark et al.	6,065,803 A	5/2000	Li et al.	
5,071,191 A	12/1991	Leib	6,070,940 A	6/2000	Wu	
5,096,259 A	3/1992	Stanfiled	6,095,597 A	8/2000	Huang	
5,108,149 A	4/1992	Ambasz	6,099,073 A	8/2000	Bruschi	
5,110,186 A	5/1992	Clark et al.	6,102,482 A	8/2000	Dettoni et al.	
5,113,717 A	5/1992	Plamper	6,106,061 A	8/2000	Caruso et al.	
5,123,702 A	6/1992	Caruso	6,113,186 A	9/2000	Holmes et al.	
5,131,607 A	7/1992	Arnold et al.	6,116,692 A	9/2000	Tarnay et al.	
5,146,656 A	9/1992	Huang	6,116,694 A	9/2000	Bullard	
5,154,485 A	10/1992	Fleishman	D431,400 S	10/2000	Grove	
5,183,314 A	2/1993	Lorbiecki	D432,805 S	10/2000	Smith	
5,211,323 A	5/1993	Chimenti et al.	6,125,521 A	10/2000	Stumpf et al.	
5,213,004 A	5/1993	Hoblingre	6,135,562 A	10/2000	Infanti	
D337,444 S	7/1993	Lamalle	D435,977 S	1/2001	Ambasz	
5,234,185 A	8/1993	Hoffman et al.	D436,457 S	1/2001	Ambasz	
5,265,969 A	11/1993	Chuang	6,206,469 B1	3/2001	Caruso et al.	
5,277,387 A	1/1994	Lewis et al.	D440,784 S	4/2001	Ambasz	
5,282,669 A	2/1994	Barile	6,234,571 B1	5/2001	Atkins et al.	
5,297,851 A	3/1994	Van Hekken	6,234,578 B1	5/2001	Barton et al.	
5,323,713 A	6/1994	Luyk et al.	6,254,190 B1	7/2001	Gregory	
5,356,204 A	10/1994	McDonough	D446,661 S	8/2001	Ambasz	
5,367,815 A	11/1994	Liou	6,279,991 B1	8/2001	Atkins et al.	
5,382,080 A	1/1995	Gamberini et al.	6,279,998 B1	8/2001	Chu et al.	
5,383,712 A	1/1995	Perry	6,305,742 B1	10/2001	Spendlove et al.	
5,393,126 A	2/1995	Boulva	6,305,750 B1	10/2001	Buono et al.	
D357,365 S	4/1995	Ward et al.	D452,619 S *	1/2002	Piretti D6/368	
5,413,015 A	5/1995	Zentmyer	6,338,587 B1	1/2002	Kuo	
5,497,537 A	3/1996	Robinson et al.	6,345,863 B1	2/2002	Laws et al.	
5,499,883 A	3/1996	Heinzel	6,349,992 B1	2/2002	Knoblock et al.	
5,503,455 A	4/1996	Yang	6,378,944 B1	4/2002	Weisser	
5,513,899 A	5/1996	Michaels et al.	6,382,728 B1	5/2002	Buono	
5,520,474 A	5/1996	Liu	6,386,627 B1	5/2002	Tsai	
5,524,963 A	6/1996	Barile	6,386,634 B1	5/2002	Stumpf et al.	
5,524,966 A	6/1996	Piretti	6,406,096 B1	6/2002	Barile, Sr.	
5,542,159 A	8/1996	Schultz et al.	6,409,268 B1	6/2002	Cvek	
5,549,358 A	8/1996	Muller	D460,300 S	7/2002	Fifield et al.	
5,560,678 A	10/1996	Eppelt	6,412,869 B1	7/2002	Pearce	
5,611,598 A	3/1997	Knoblock	6,422,645 B1	7/2002	Smith et al.	
5,662,383 A	9/1997	Hand	6,439,665 B1	8/2002	Cvek	
5,681,093 A	10/1997	Pfister	6,471,293 B2	10/2002	Ware et al.	
5,738,408 A	4/1998	Wu	D465,938 S	11/2002	Huang	
5,747,140 A	5/1998	Heerklotz	D465,940 S	11/2002	Nien	
5,762,403 A	6/1998	Robinson	6,481,789 B1	11/2002	Amasz	
5,779,317 A	7/1998	Neal	D466,712 S *	12/2002	Haney et al. D6/373	
5,785,287 A	7/1998	Hoshino	D469,969 S *	2/2003	Glass et al. D6/374	
5,820,221 A	10/1998	Greaves et al.	D469,971 S *	2/2003	Piretti D6/374	
5,825,095 A	10/1998	Albecker, III	6,523,898 B1	2/2003	Ball et al.	
5,826,312 A	10/1998	Schroder et al.	6,533,352 B1	3/2003	Glass et al.	
5,842,739 A	12/1998	Noble	6,536,079 B2	3/2003	Hill	
5,845,589 A	12/1998	Pfister	D473,727 S	4/2003	Tsai	
5,845,970 A	12/1998	Schwartz	6,543,842 B2 *	4/2003	Haney 297/55	
5,860,697 A	1/1999	Fewchuk	6,547,321 B2	4/2003	Wu	
5,860,700 A	1/1999	Lance	6,550,866 B1	4/2003	Su	
5,863,096 A	1/1999	Bartlmae	6,561,580 B1	5/2003	Bergey	
5,871,258 A	2/1999	Batthey et al.	D476,162 S	6/2003	Finazzi	
D406,195 S	3/1999	Gamberini	D477,470 S	7/2003	Haney et al.	
5,887,946 A	3/1999	Raftery	6,585,323 B2	7/2003	Gaylord et al.	
5,902,012 A	5/1999	Han	6,588,842 B2	7/2003	Stumpf et al.	
5,904,397 A	5/1999	Fismen	6,598,544 B2	7/2003	Laws et al.	
5,934,758 A	8/1999	Ritch et al.	6,604,784 B1	8/2003	Bosman et al.	

US D648,554 S

6,612,654	B2	9/2003	Laws et al.	
D481,879	S	11/2003	Su	
6,644,749	B2	11/2003	VanDeRiet et al.	
6,669,281	B1	12/2003	Huang	
6,688,698	B1	2/2004	Chou et al.	
6,702,390	B2	3/2004	Stumpf et al.	
6,709,050	B2	3/2004	Huang	
6,722,741	B2	4/2004	Stumpf et al.	
6,722,742	B2	4/2004	Potes et al.	
6,726,285	B2	4/2004	Caruso et al.	
6,726,286	B2	4/2004	Stumpf et al.	
6,729,691	B2	5/2004	Koepke et al.	
6,733,080	B2	5/2004	Stumpf et al.	
6,742,839	B2	6/2004	Piretti	
6,755,468	B1	6/2004	Pan	
D494,792	S	8/2004	Schmitz et al.	
6,779,846	B2	8/2004	Spendlove et al.	
D495,509	S	9/2004	Breen	
D495,891	S	9/2004	Ambasz	
6,837,546	B2	1/2005	VanDeRiet et al.	
D501,613	S *	2/2005	Kaltenmark et al.	D6/368
D503,291	S	3/2005	Lucci et al.	
6,863,341	B1	3/2005	Wen	
6,866,338	B2	3/2005	Mendenhall et al.	
6,871,906	B2 *	3/2005	Haney	297/55
6,886,890	B2	5/2005	Rowland et al.	
6,890,026	B1	5/2005	Shin	
6,899,053	B2	5/2005	Hawkins	
6,899,396	B2	5/2005	Bales	
D505,800	S	6/2005	Lucci et al.	
D506,325	S	6/2005	Farber et al.	
6,908,159	B2	6/2005	Prince et al.	
D507,425	S *	7/2005	Ashby et al.	D6/368
6,923,505	B2	8/2005	Siminovitch et al.	
6,935,698	B1	8/2005	Chen	
6,942,300	B2	9/2005	Numa et al.	
6,957,861	B1	10/2005	Chou et al.	
6,966,606	B2	11/2005	Coffield	
D513,456	S	1/2006	Smith	
6,983,997	B2	1/2006	Wilkerson et al.	
6,988,774	B1	1/2006	Elzenbeck	
7,021,712	B2	4/2006	Spendlove et al.	
7,029,064	B2	4/2006	Chen	
D523,254	S *	6/2006	Nye et al.	D6/368
7,059,670	B2	6/2006	Mills et al.	
7,066,536	B2	6/2006	Williams et al.	
7,066,550	B1	6/2006	Su	
7,073,864	B2	7/2006	Olsen	
7,104,604	B1	9/2006	Kang	
7,107,915	B2	9/2006	Laws et al.	
7,111,906	B2	9/2006	Heisey et al.	
D533,000	S	12/2006	Lu et al.	
7,147,286	B2	12/2006	Cesaroni et al.	
7,152,929	B2	12/2006	Wu	
7,156,459	B2	1/2007	Ambasz	
D539,557	S	4/2007	Doughty	
D544,225	S	6/2007	Cantarutti	
D544,235	S	6/2007	Chen	
7,249,802	B2	7/2007	Schmitz et al.	
7,303,230	B2	12/2007	Munn et al.	
7,303,235	B1	12/2007	Fongers	
D558,999	S	1/2008	Cantarutti	
D567,524	S *	4/2008	Marin	D6/368
D569,121	S *	5/2008	Rizzi	D6/372
7,396,076	B1	7/2008	Hock	
7,396,078	B2 *	7/2008	Weber et al.	297/285
7,406,733	B2	8/2008	Coffield et al.	
D581,708	S	12/2008	Su	
7,458,918	B1	12/2008	Clark	
7,472,962	B2	1/2009	Caruso et al.	
7,513,567	B2	4/2009	Huang	
D594,669	S *	6/2009	Asano	D6/376
7,552,968	B2	6/2009	Smith et al.	
D599,127	S	9/2009	Smith	
D600,936	S *	9/2009	Koh	D6/376
7,717,511	B2	5/2010	Huang	
7,758,112	B2	7/2010	Huang	
7,896,431	B2	3/2011	Cui et al.	
2001/0028188	A1	10/2001	Stumpf et al.	

2001/0030457	A1	10/2001	Gregory
2001/0033100	A1	10/2001	Haney
2002/0053822	A1	5/2002	Ware et al.
2002/0117883	A1	8/2002	Gevaert
2002/0145326	A1	10/2002	Liu
2002/0195863	A1	12/2002	Su
2003/0071509	A1	4/2003	Neil et al.
2003/0127887	A1	7/2003	Laws et al.
2003/0168894	A1	9/2003	Lin
2003/0234563	A1	12/2003	Huang
2004/0076465	A1	4/2004	Geiger
2004/0245842	A1	12/2004	Nardi
2004/0262975	A1	12/2004	Su
2005/0001464	A1	1/2005	Caruso et al.
2005/0077773	A1	4/2005	Chen
2005/0146193	A1	7/2005	Shieh
2005/0175403	A1	8/2005	Herb et al.
2005/0206210	A1	9/2005	Coffield
2005/0264087	A1	12/2005	Diffrient
2006/0006715	A1	1/2006	Chadwick et al.
2006/0091715	A1	5/2006	Schmitz et al.
2006/0138849	A1	6/2006	Wilkerson et al.
2006/0284469	A1	12/2006	Lowsky
2007/0000112	A1	1/2007	Johnson et al.
2007/0132291	A1	6/2007	Smith et al.
2007/0132302	A1	6/2007	Smith et al.
2007/0222266	A1	9/2007	Lucci et al.
2008/0315645	A1	12/2008	Hock
2008/0315646	A1	12/2008	Hock
2009/0079235	A1	3/2009	Huang
2009/0146467	A1	6/2009	Waite et al.
2009/0184548	A1	7/2009	Vickers et al.
2009/0236895	A1	9/2009	Bottemiller
2010/0176633	A1	7/2010	Brncick et al.
2010/0194160	A1	8/2010	Machael et al.
2010/0237582	A1	9/2010	Belenkov et al.
2011/0025104	A1	2/2011	Fusao et al.

FOREIGN PATENT DOCUMENTS

EP	210710	2/1987
JP	06269330	9/1994
WO	WO 2004/037046	5/2004

OTHER PUBLICATIONS

Smith, Richard et al., U.S. Appl. No. 12/755,954, filed Apr. 7, 2010.

Smith, Richard et al., U.S. Appl. No. 12/748,823, filed Mar. 29, 2010.

Smith, Richard et al., U.S. Appl. No. 12/757,218, filed Apr. 9, 2010.

Herman Miller for business—Mirra Chairs, www.hermanmiller.com/CDA/SSA/Product?0,,a10-c440-p205,00.html, accessed Apr. 8, 2009, 3 pages.

Home Alexander Folding Rockers Set of 2: Target, www.target.com/Home-Alexander-Folding-Rockers-Set/dp/B001CS96AY/qid=1233... accessed Jan. 29, 2009, 4 pages.

Ergo Mesh Folding Guest Chair (Set of 2) from Overstock.com, www.overstock.com/Office-Furniture/Ergo-Mesh-Folding-Guest-Chair-Set-of-2/308..., accessed Jan. 29, 2009 3 pages.

Mesh folding chair, mesh chairs, custom chairs, folding camp chairs, custom foldin..., www.staplespromotionalproducts.com/ProductDetail.aspx?id=358, accessed Jan. 29, 2009, 1 page.

Home wrought iron fold chair—set of 4: Target, www.target.com/Home-Wrought-Iron-Fold-Chair/dp/B001IZS8WS/qid=123326645..., accessed Jan. 29, 2009 2 pages.

Herman Miller—for buisness -aeron chairs, www.hermanmiller.com/CDA/SSA/Product/1,1592,a10-c440-p8,00.html, accessed Jan. 29, 2009, 4 pages.

Aeron chairs, Herman Miller aeron chair, aeron loaded chairs & aeron chair accesso..., www.hermanmillerseating.com/aeron%AE-C79906.html?refid=G2772.%22herman... accessed Jan. 29, 2009, 4 pages.

Smith, Richard et al., U.S. Appl. No. 12/422,801, filed Apr. 13, 2009.

Smith, Richard et al., U.S. Appl. No. 12/422,811, filed Apr. 13, 2009.

Smith, Richard et al., U.S. Appl. No. 12/422,821, filed Apr. 13, 2009.

Smith, Richard et al., U.S. Appl. No. 29/335,295, filed Apr. 13, 2009.

Smith, Richard et al., U.S. Appl. No. 12/612,252, filed Nov. 4, 2009.

Smith, Richard et al., U.S. Appl. No. 12/612,257, filed Nov. 4, 2009.

US D648,554 S

Page 5

Smith, Richard et al., U.S. Appl. No. 12/422,792, filed Apr. 13, 2009. <http://sstores.advancesinteriordesings.com/-strse-972/Mesh-Folding-Chair,-Suave/Detail.bok>, Advances Interior Designs—Modern HOme and Office FUrniture, accessed Oct. 2009, 1 page.

DuraMesh Folding Chair, KI A versatile folding chair with a comfortable, durable mesh seat, www.ki.com, accessed Oct. 2009, 2 pages.

U.S. Appl. No. 12/422,821, filed Apr. 13, 2009; Richard D. Smith; office action issued Jan. 7, 2011.

U.S. Appl. No. 12/422,801, filed Apr. 13, 2009; Richard D. Smith; office action issued Jan. 19, 2011.

U.S. Appl. No. 12/422,811, filed Apr. 13, 2009; Richard D. Smith; office action issued Jan. 24, 2011.

U.S. Appl. No. 12/422,792, filed Apr. 13, 2009; Richard D. Smith; office action issued Jan. 19, 2011.

U.S. Appl. No. 12/422,811; filed Apr. 13, 2009; Richard D. Smith; Notice of Allowance issued Jun. 29, 2011.

U.S. Appl. No. 12/422,821; filed Apr. 13, 2009; Richard D. Smith; Notice of Allowance issued Jul. 7, 2011.

U.S. Appl. No. 12/422,801; filed Apr. 13, 2009; Richard D. Smith; Notice of Allowance issued Jul. 13, 2011.

U.S. Appl. No. 12/422,792; filed Apr. 13, 2009; Richard D. Smith; Notice of Allowance issued Jul. 17, 2011.

* cited by examiner



FIG. 1

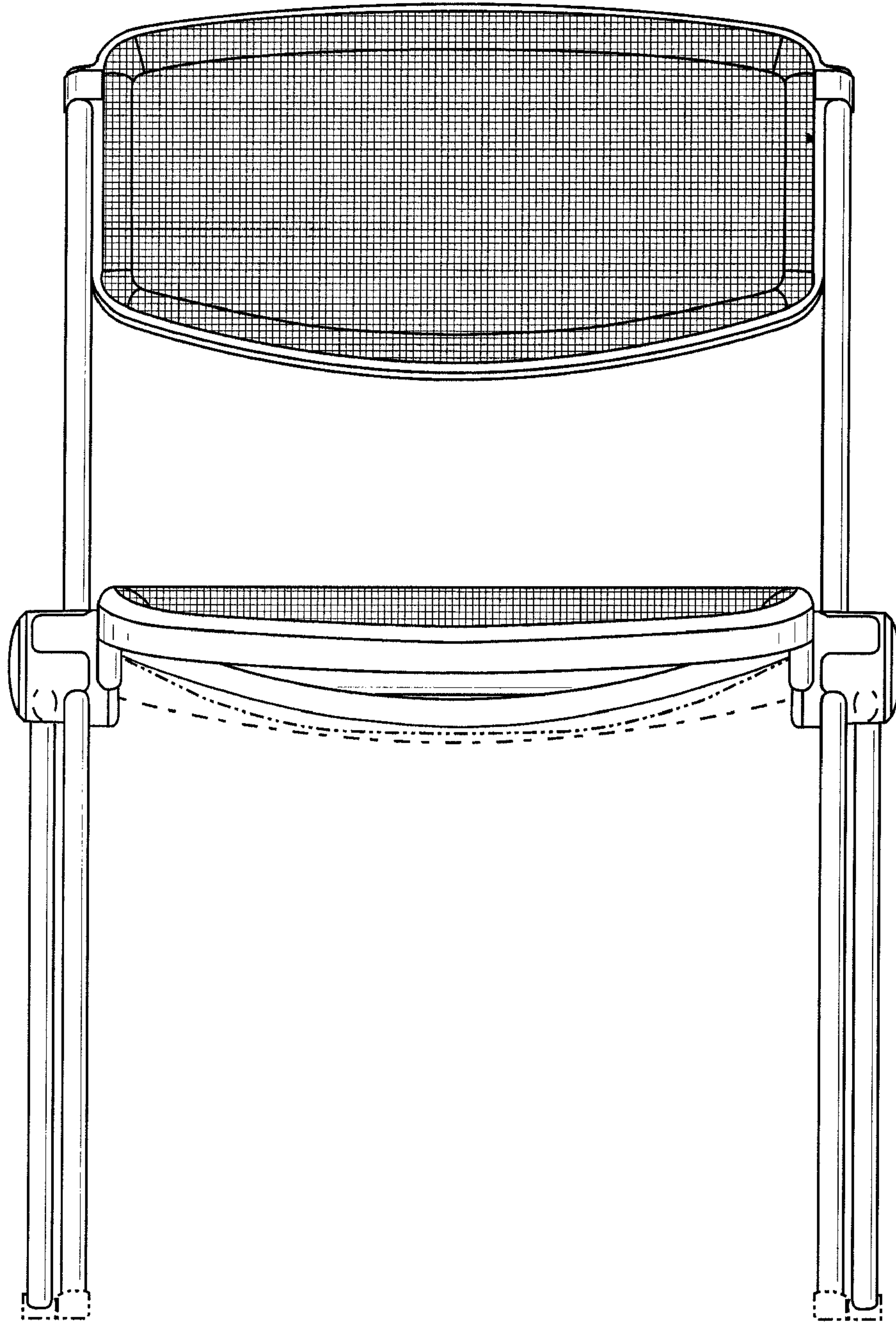


FIG. 2

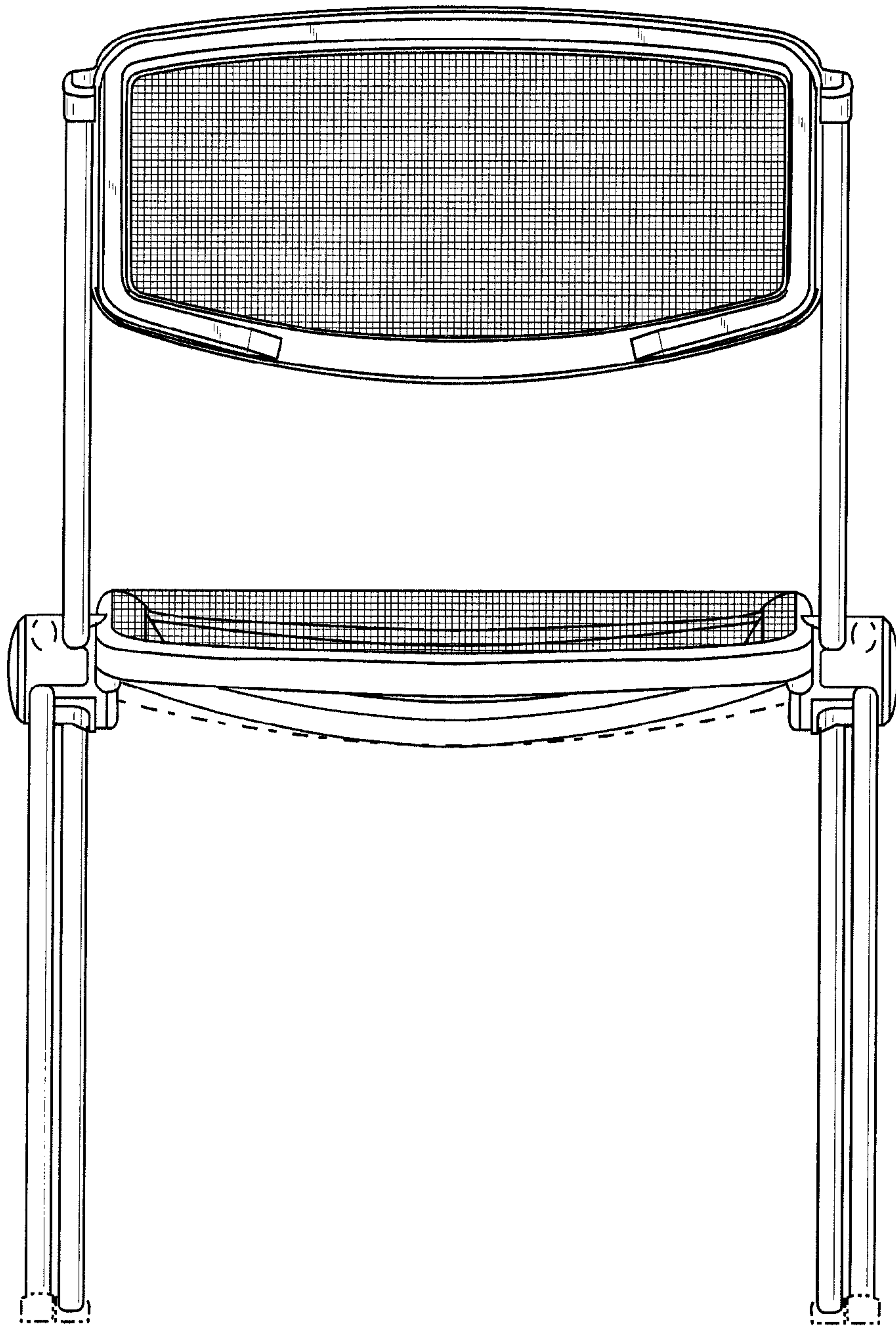


FIG. 3

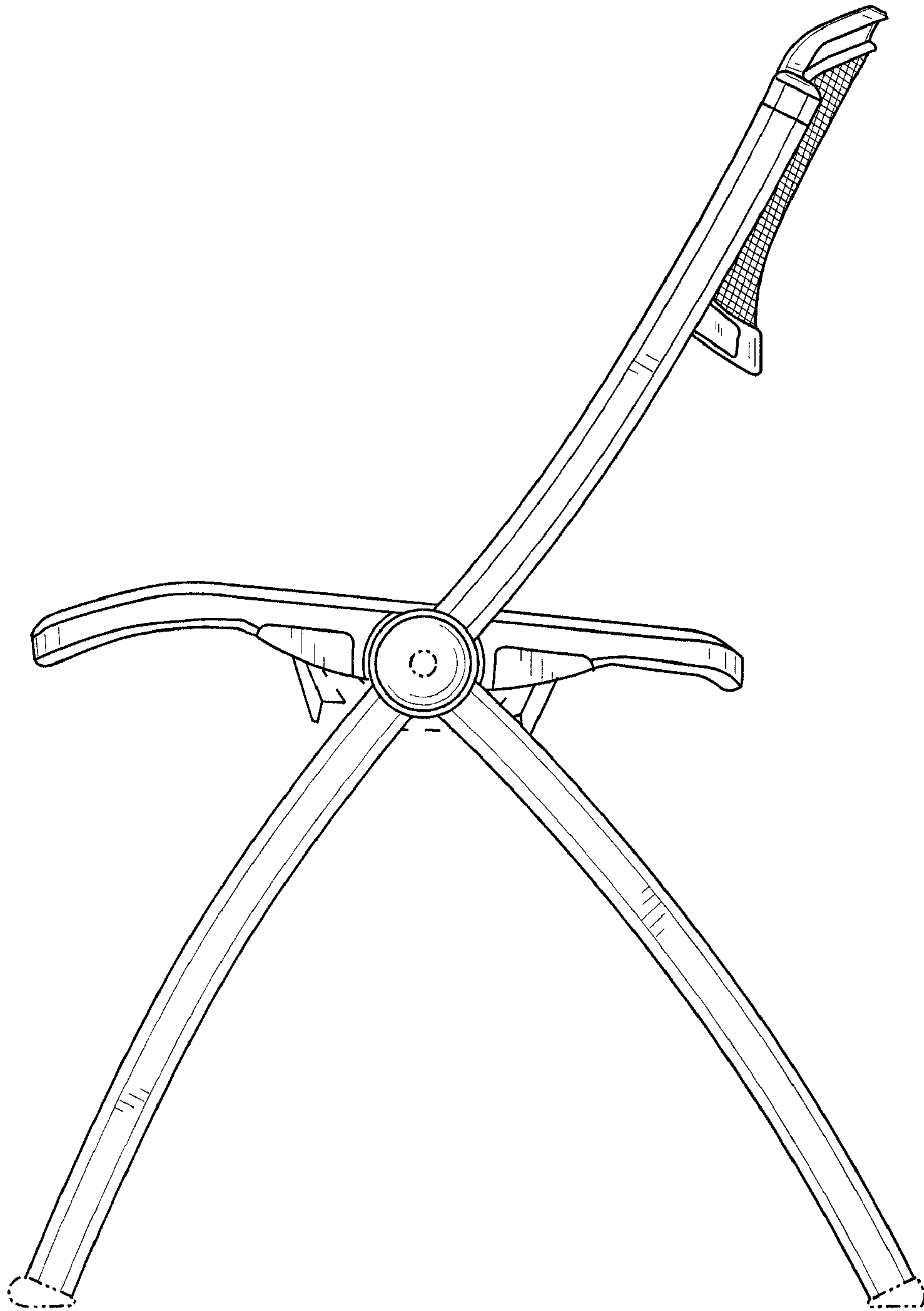


FIG. 4

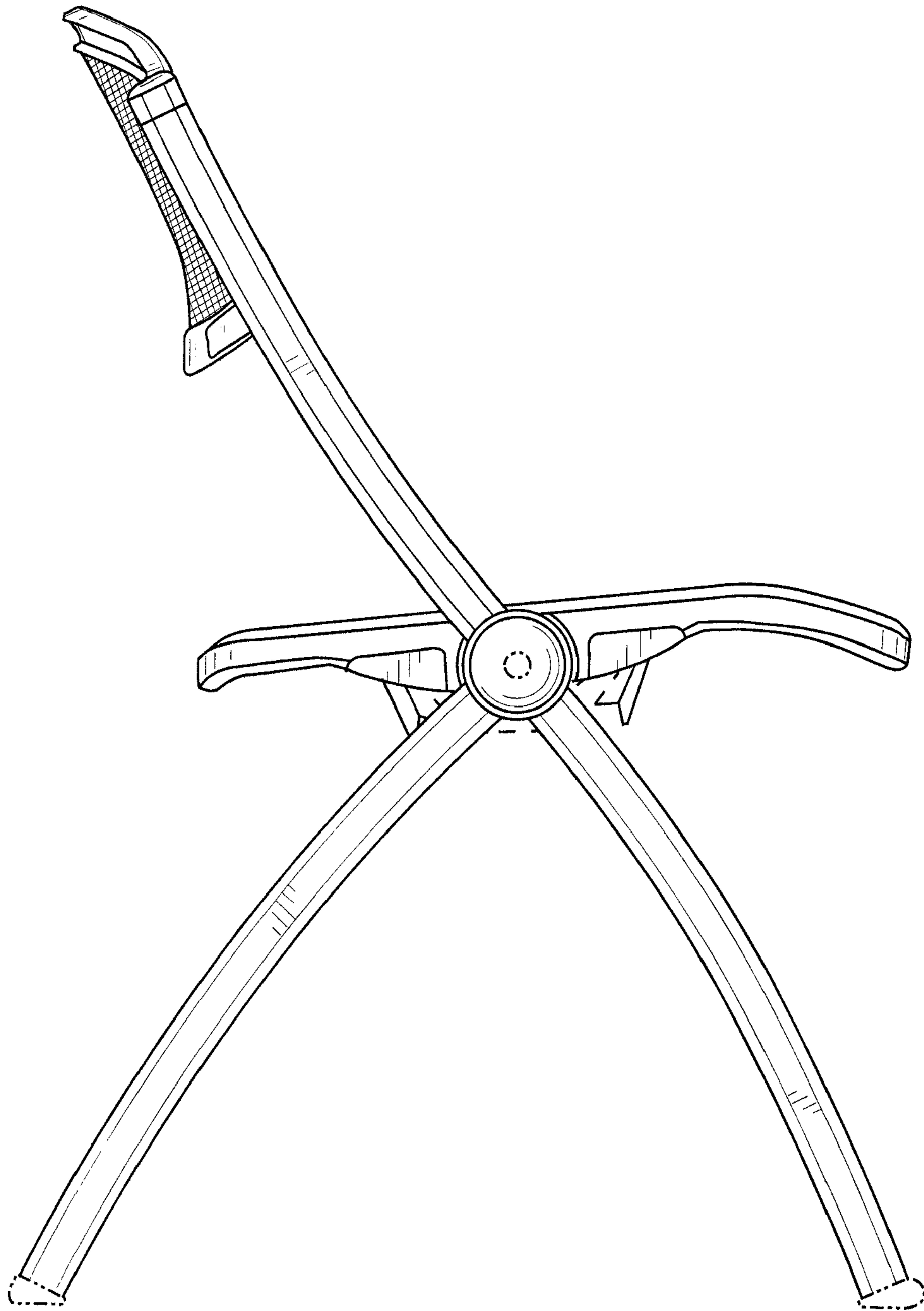


FIG. 5

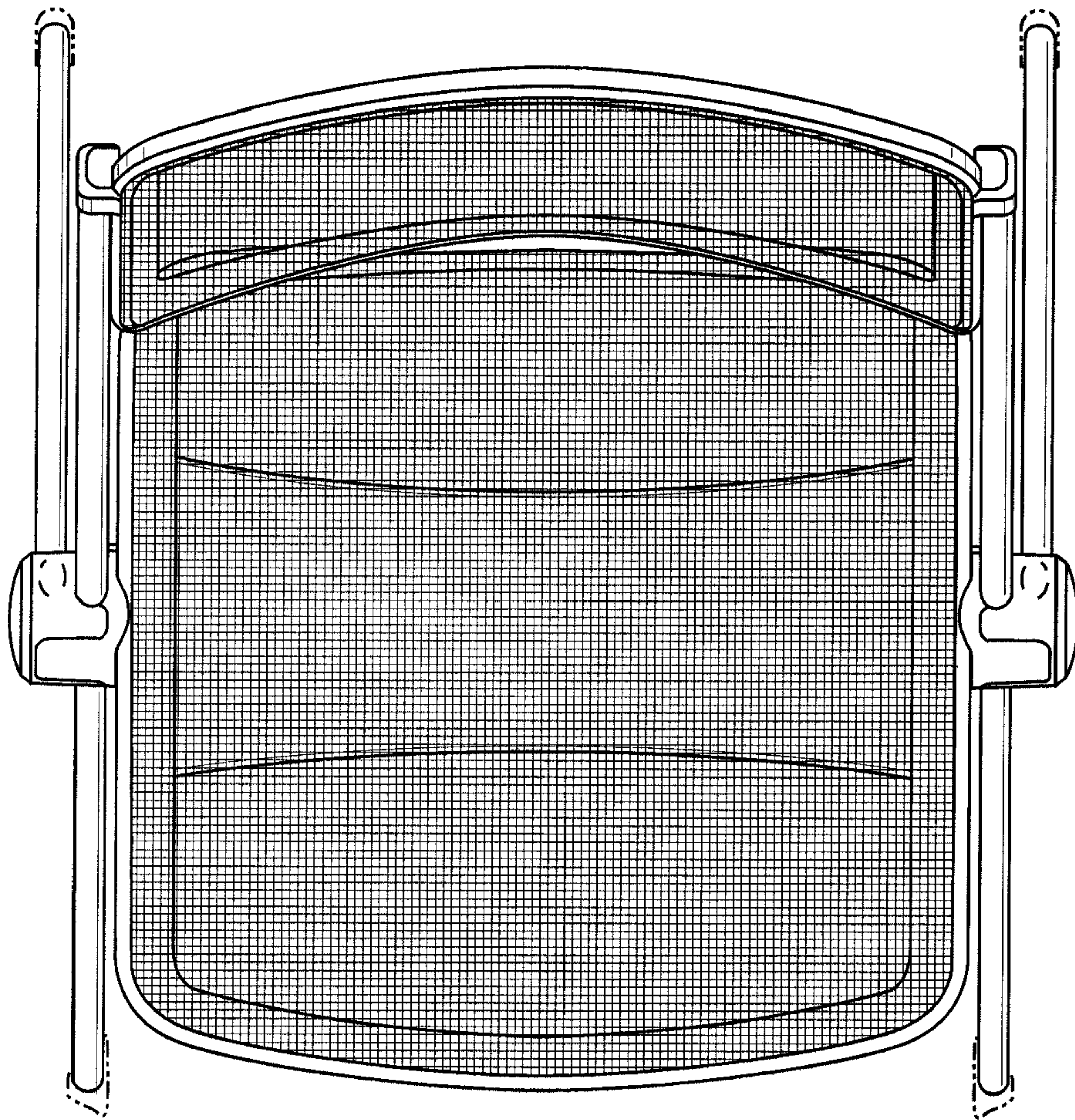


FIG. 6

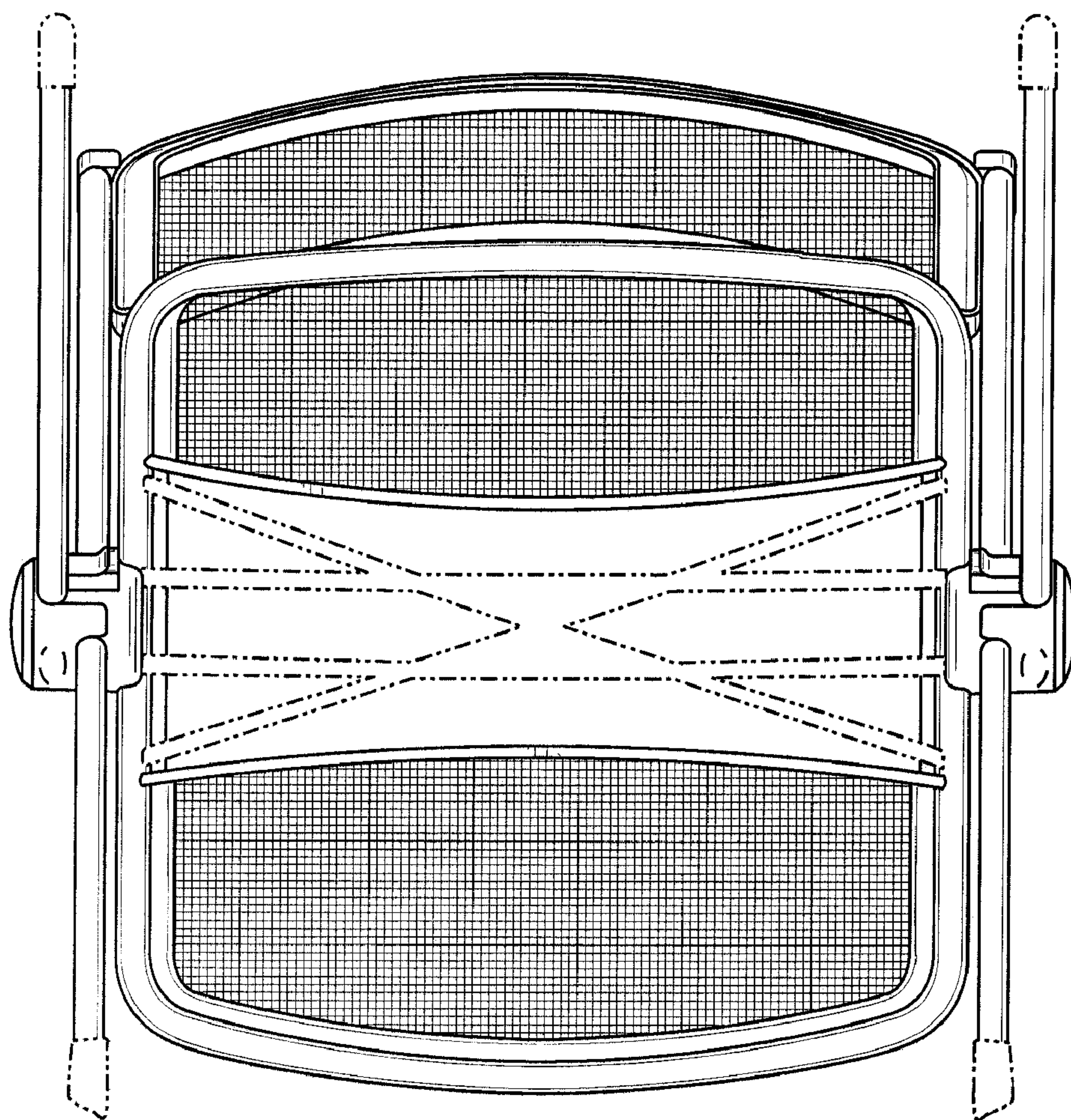


FIG. 7