



US00D648548S

(12) **United States Design Patent**  
**Winer et al.**

(10) **Patent No.:** **US D648,548 S**  
(45) **Date of Patent:** **\*\* Nov. 15, 2011**

- (54) **CUBE-HOLDING FRAME**
- (76) Inventors: **David A. Winer**, Shelburne, VT (US);  
**Gordon E. Winer**, Calgary (CA)
- (\*\*) Term: **14 Years**
- (21) Appl. No.: **29/369,839**
- (22) Filed: **Sep. 14, 2010**
- (51) **LOC (9) Cl.** ..... **06-07**
- (52) **U.S. Cl.** ..... **D6/300; D6/449**
- (58) **Field of Classification Search** ..... D6/300,  
D6/449, 301-314, 477, 479; D21/484-486,  
D21/489-494, 499-506; 273/153 R, 160,  
273/241; D25/113-118; 446/85, 69; 40/700,  
40/720-724, 729-731, 734-735, 798  
See application file for complete search history.

(56) **References Cited**

U.S. PATENT DOCUMENTS

4,494,756 A	1/1985	Winer
5,427,375 A	6/1995	Breckwoldt
D408,061 S	4/1999	Borg
D414,613 S	10/1999	Pohlman, Jr.
D475,094 S	5/2003	Ko
D491,235 S	6/2004	Fang
6,974,130 B2	12/2005	Sugden
D528,607 S	9/2006	Sugden
7,100,917 B2	9/2006	Wang
D593,976 S	6/2009	Liaw
D623,865 S	9/2010	Winer et al.

*Primary Examiner* — Philip S Hyder

*Assistant Examiner* — Sydney Buffalow

(74) *Attorney, Agent, or Firm* — Lerner, David, Littenberg,  
Krumholz & Mentlik, LLP

(57) **CLAIM**

The ornamental design for a cube-holding frame, as shown and described.

**DESCRIPTION**

FIG. 1 is an exploded perspective view of an embodiment of a cube-holding frame including two end trays and two middle

trays, with cubes shown in dashed outline positioned in various locations of the cube-holding frame, in accordance with the present invention;

FIG. 2 is a perspective view of the cube-holding frame shown in FIG. 1, with cubes shown in dashed outline positioned in various locations of the cube-holding frame;

FIG. 3 is a perspective view of a middle tray of the cube-holding frame shown in FIG. 1;

FIG. 4 is a front side elevational view of the middle tray of the cube-holding frame shown in FIG. 3, the left side elevational view, the right side elevational view, and the rear side elevational view of the middle tray each being identical thereto;

FIG. 5 is a top plan view of the middle tray of the cube-holding frame shown in FIG. 3, the bottom plan view of the middle tray being a mirror image thereof;

FIG. 6 is a front sectional view of the middle tray of the cube-holding frame shown in FIG. 3, taken along the line 6-6 of FIG. 5;

FIG. 7 is a perspective view of an end tray of the cube-holding frame shown in FIG. 1;

FIG. 8 is a front side elevational view of the end tray of the cube-holding frame shown in FIG. 7, the left side elevational view, the right side elevational view, and the rear side elevational view of the end tray each being identical thereto;

FIG. 9 is a top plan view of the end tray of the cube-holding frame shown in FIG. 7;

FIG. 10 is a bottom plan view of the end tray of the cube-holding frame shown in FIG. 7; and,

FIG. 11 is a front sectional view of the end tray of the cube-holding frame shown in FIG. 7, taken along the line 11-11 of FIG. 9.

The dashed line showings of the cubes in FIGS. 1 and 2 are provided for the purpose of illustrating environment, and do not form part of the claimed invention.

**1 Claim, 8 Drawing Sheets**

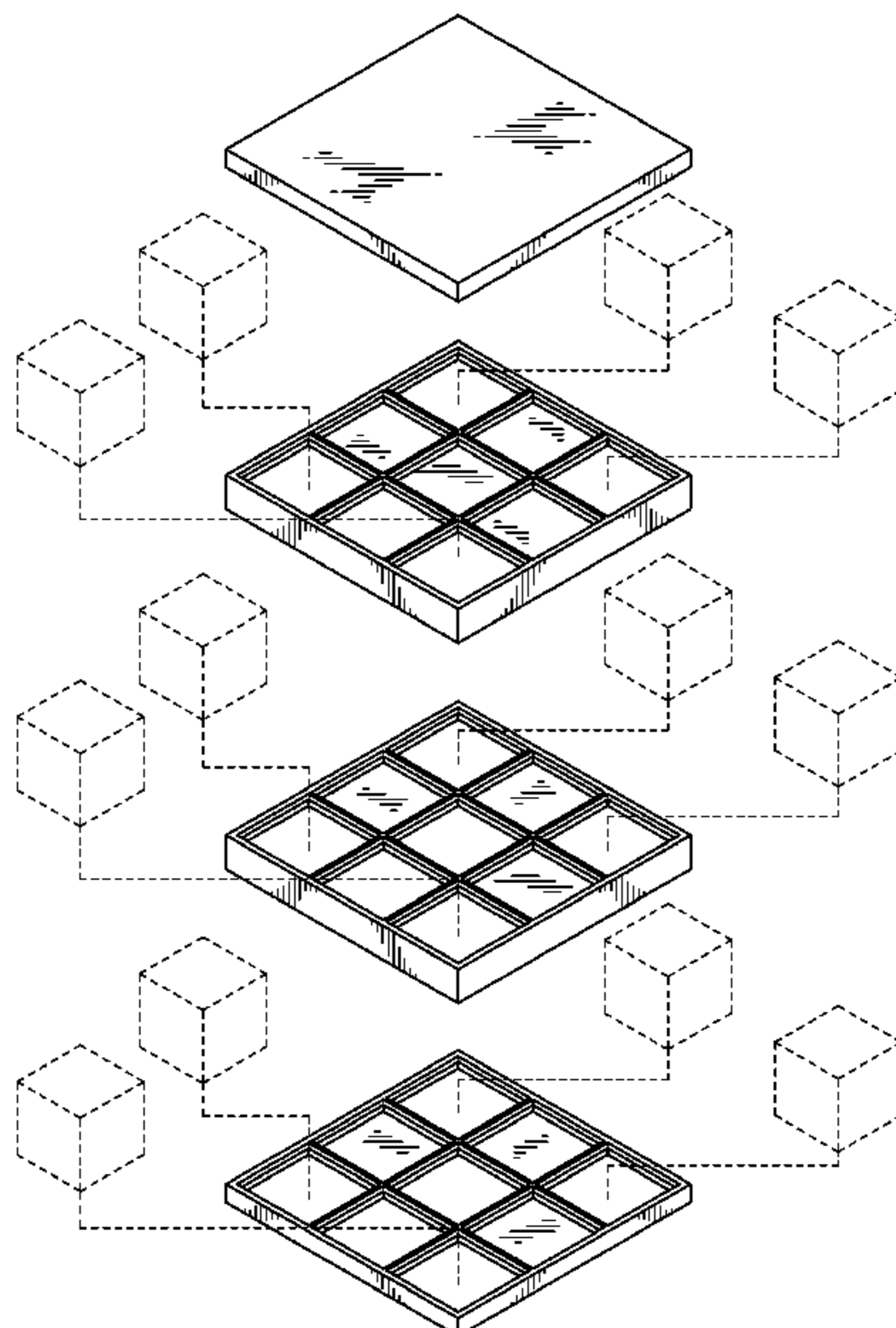


FIG. 1

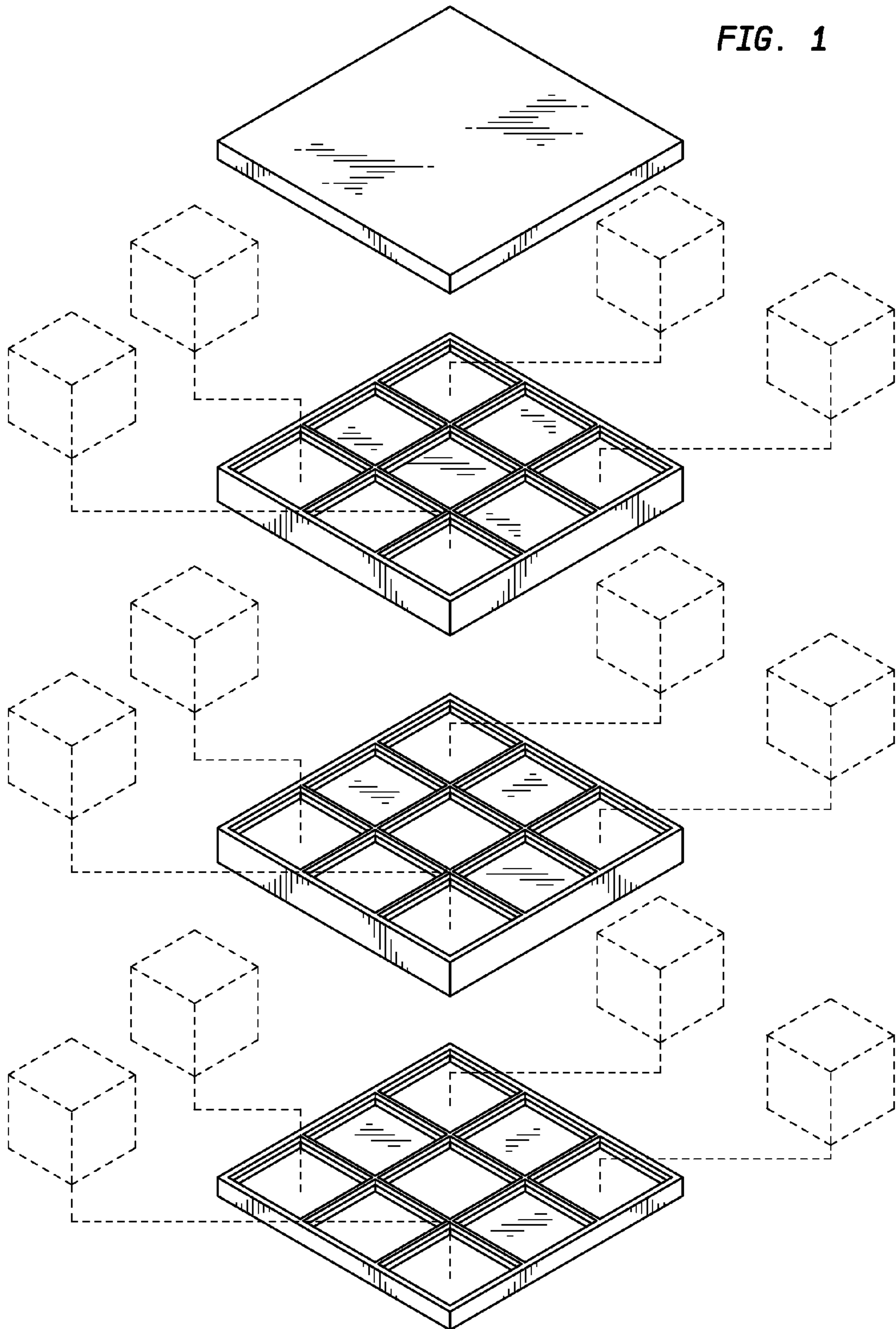
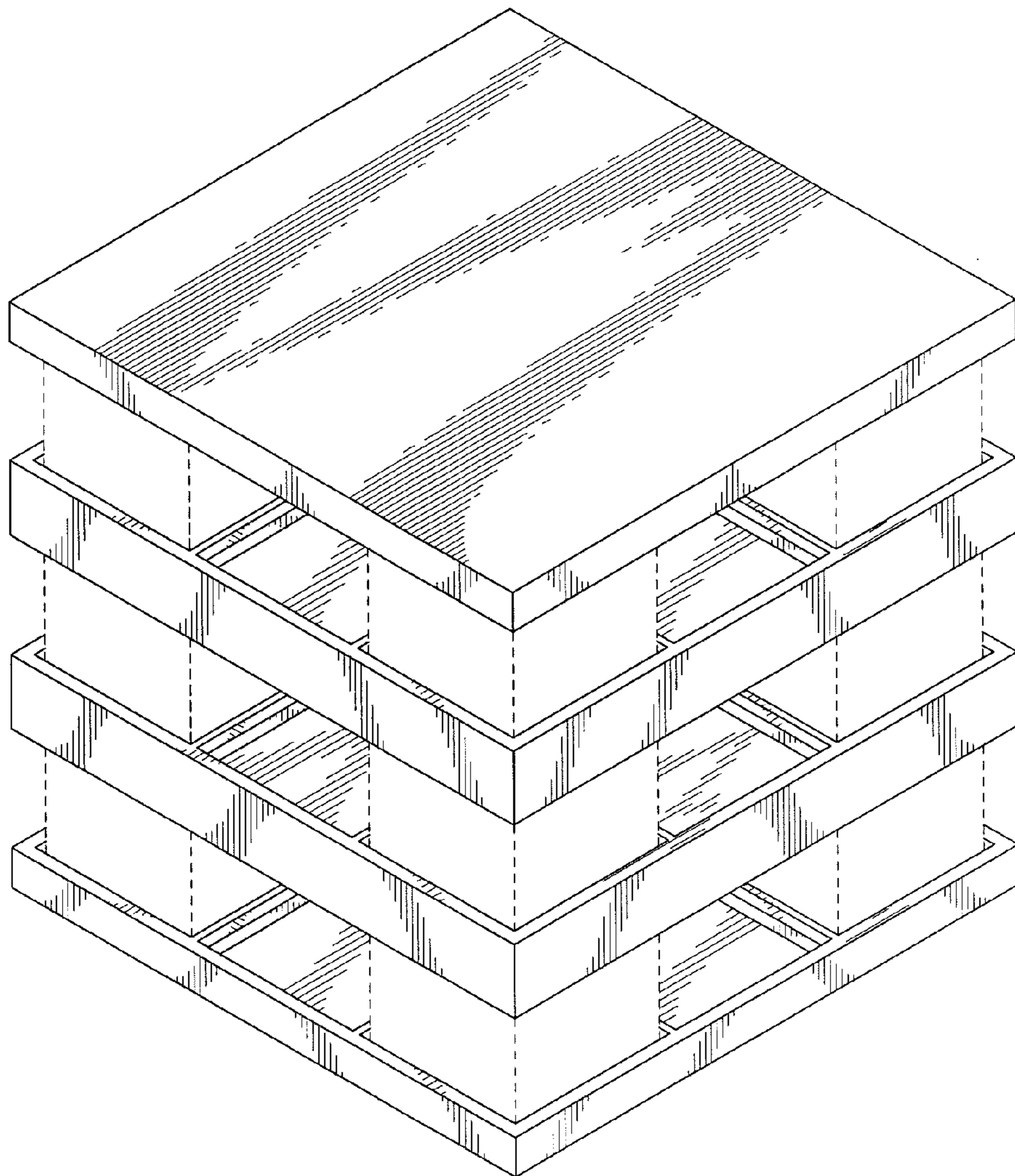


FIG. 2



*FIG. 3*

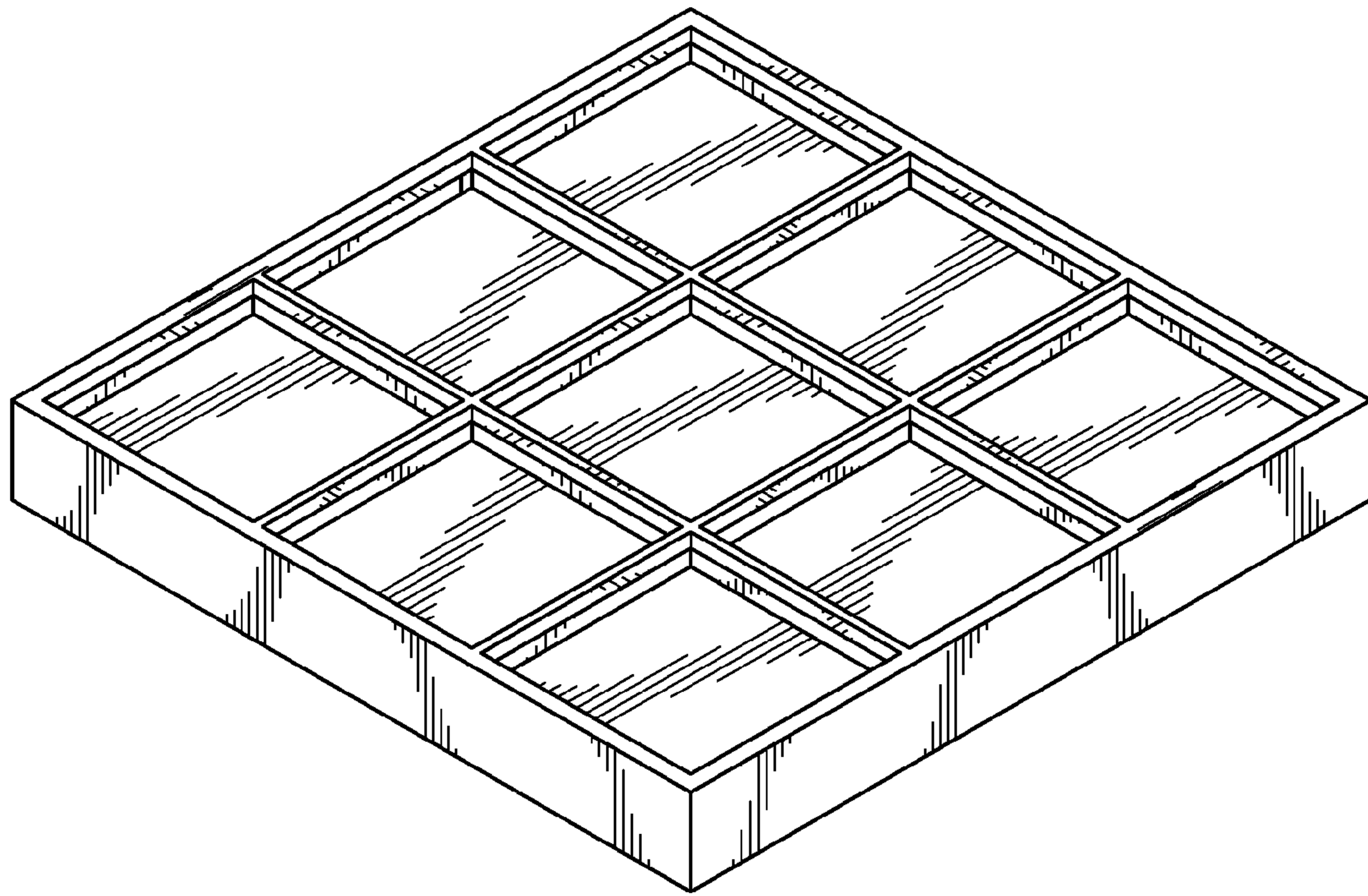
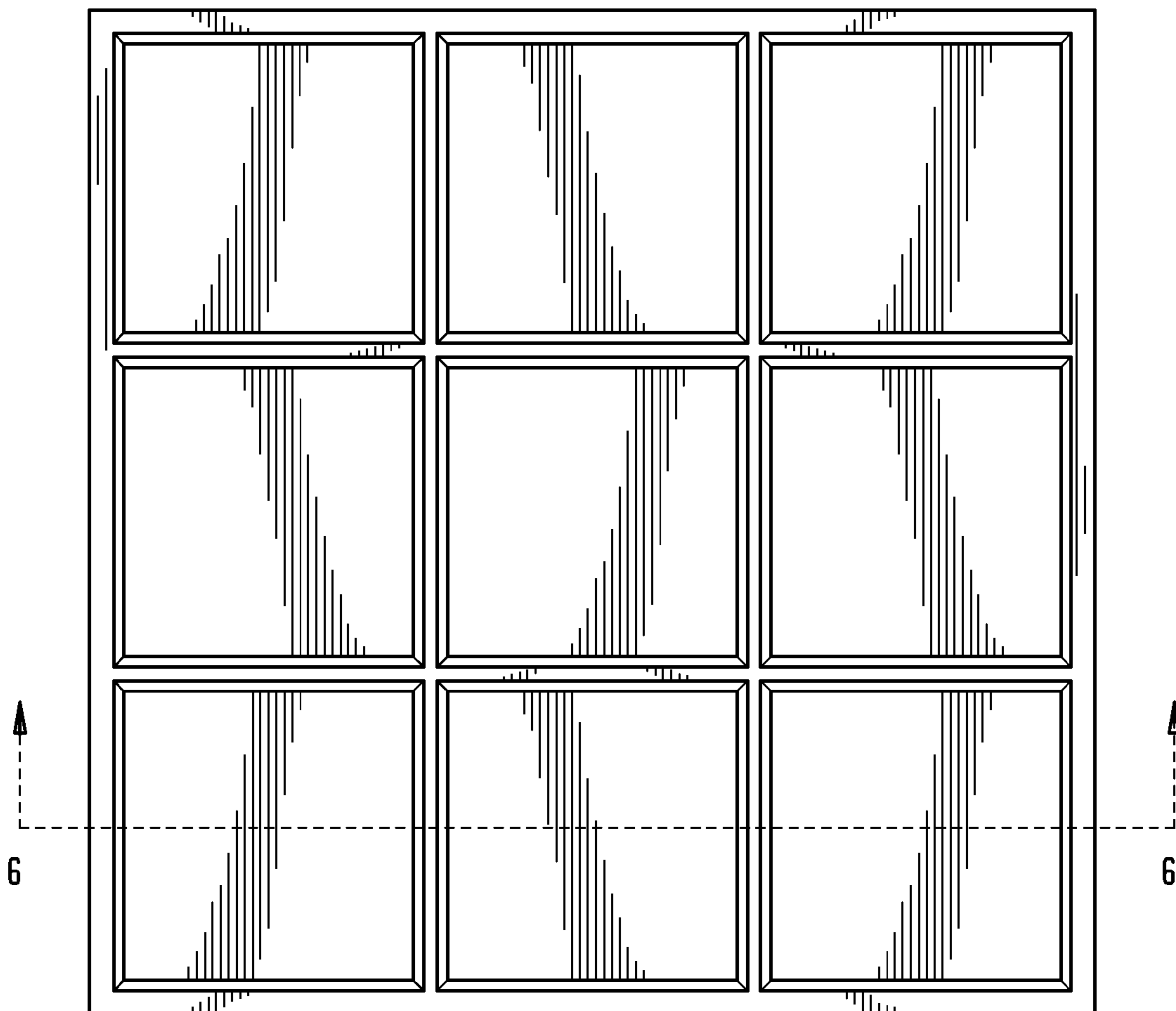


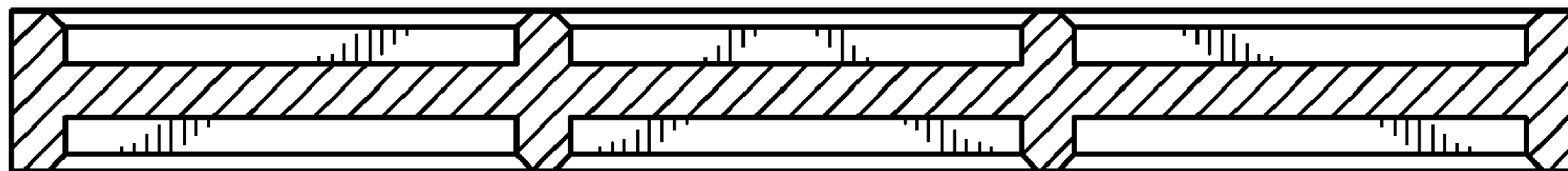
FIG. 4



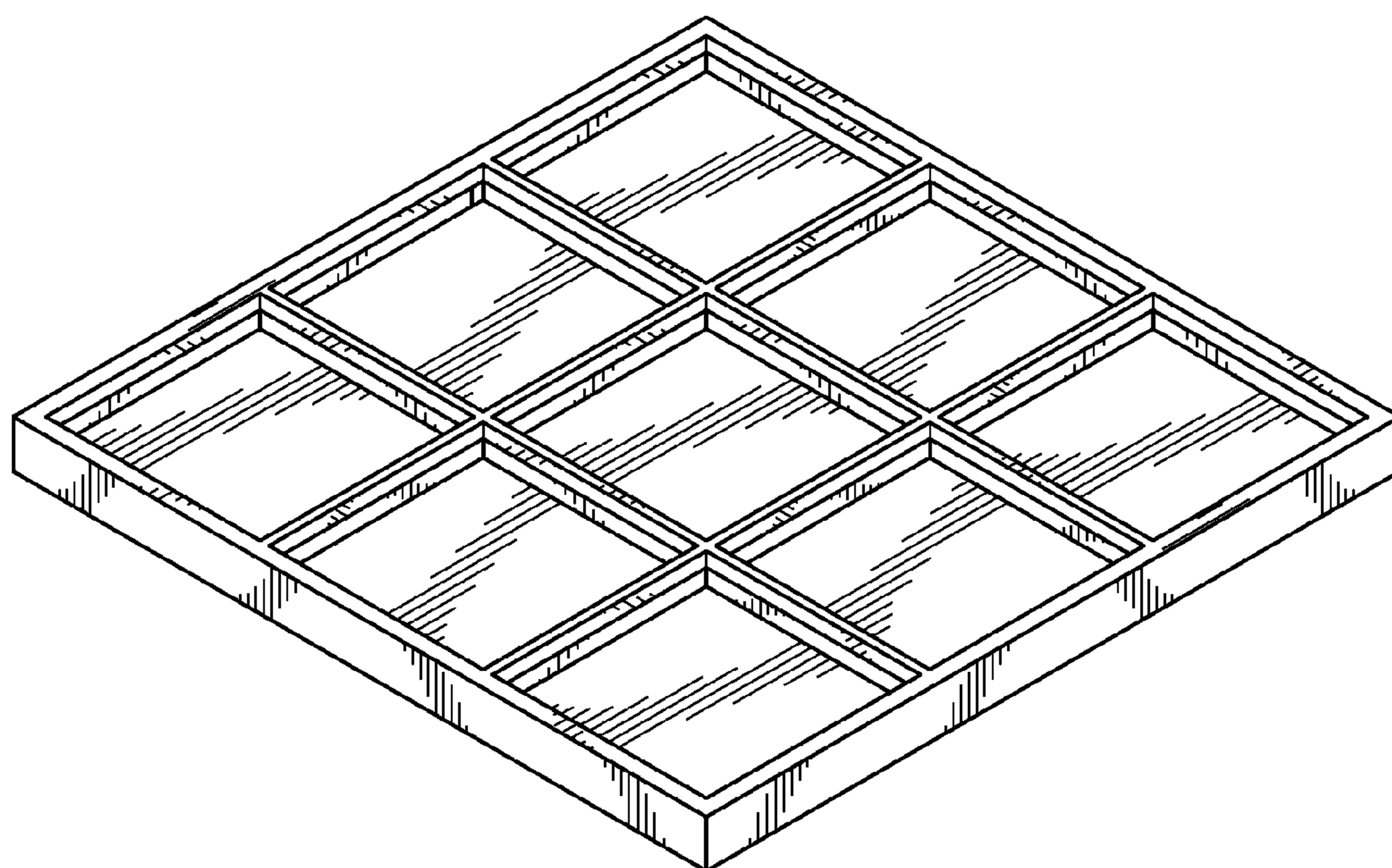
FIG. 5



*FIG. 6*



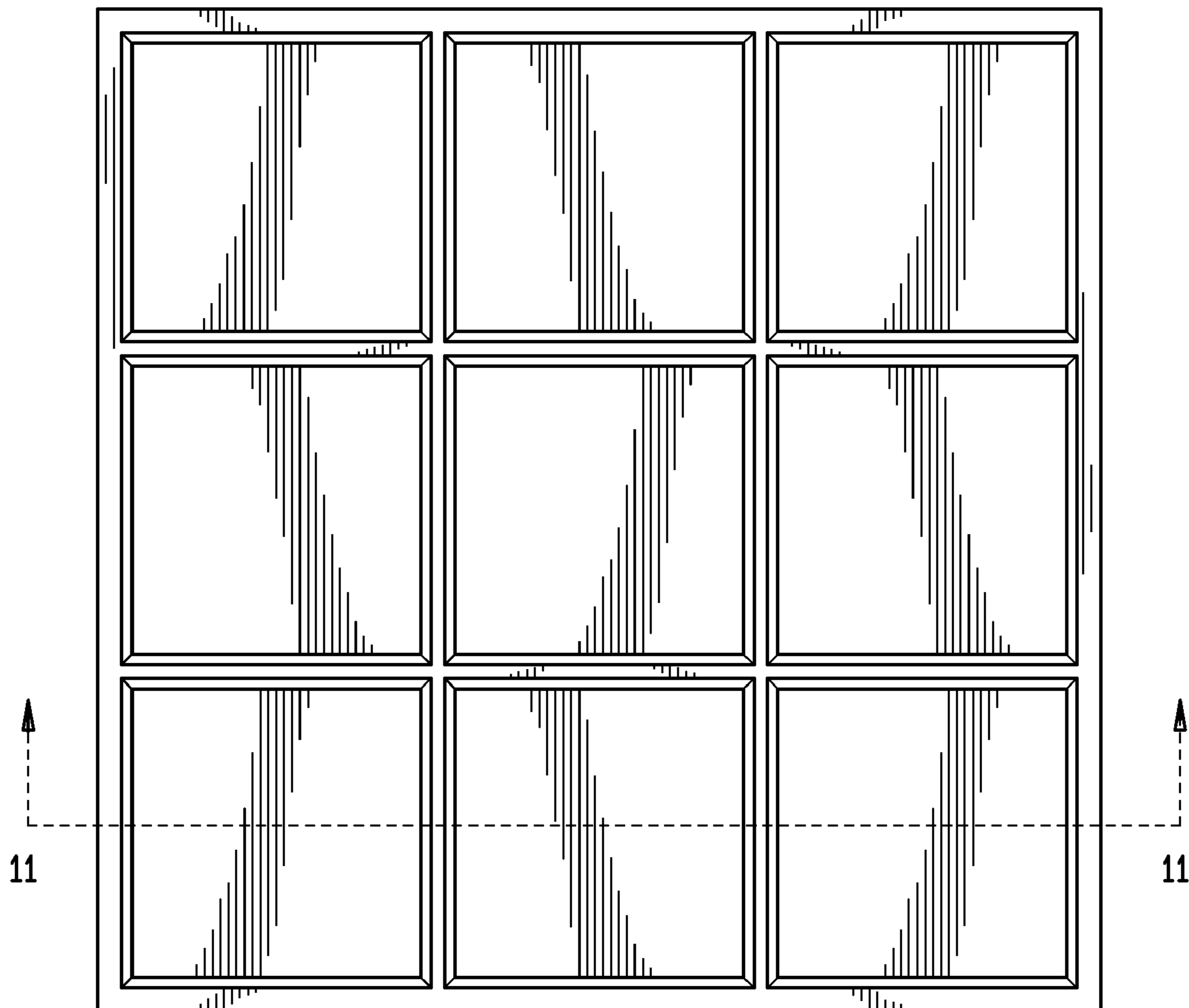
*FIG. 7*



**FIG. 8**

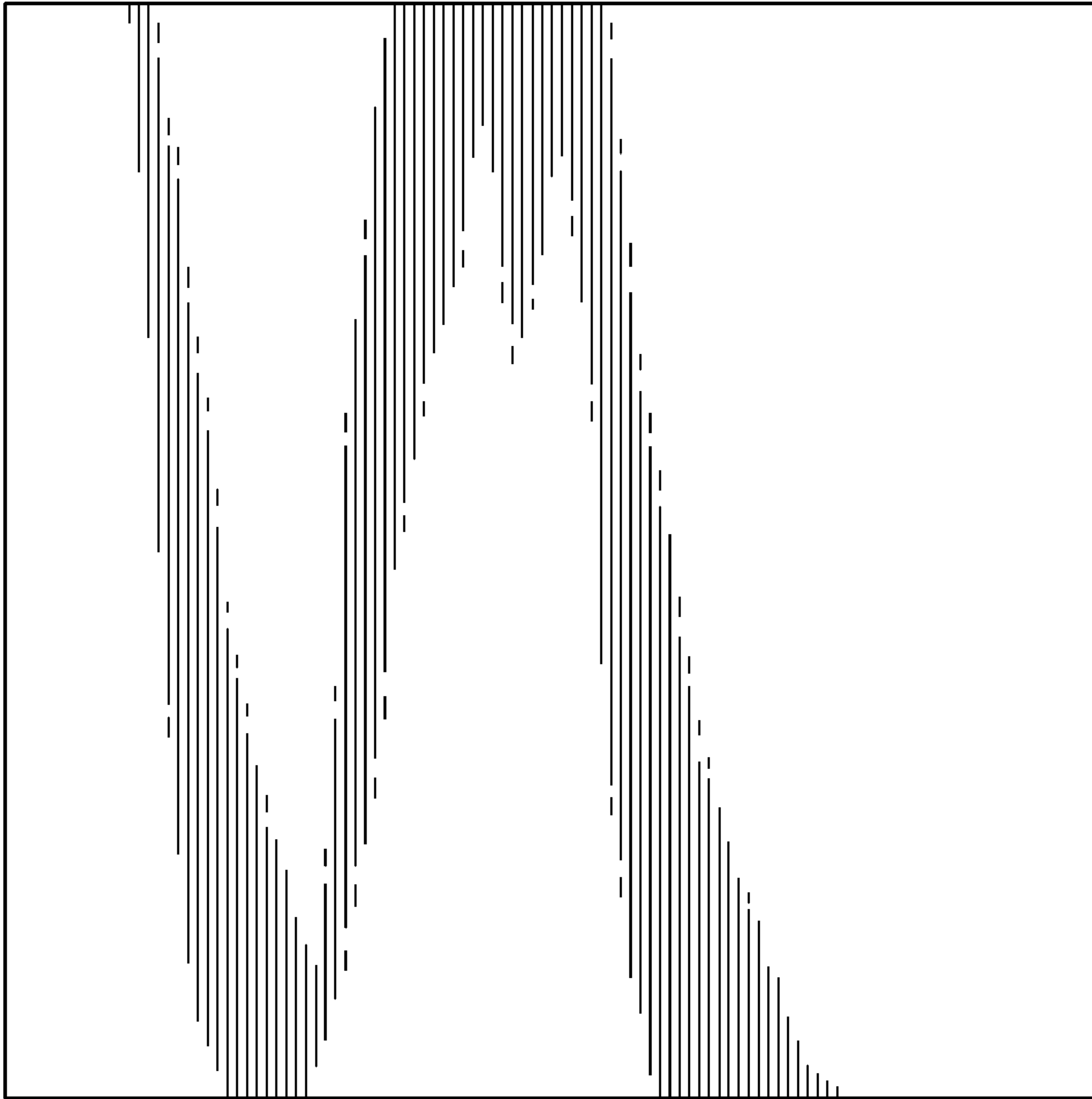


**FIG. 9**





**FIG. 10**



**FIG. 11**

