

US00D648538S

(12) **United States Design Patent**
Reinhart et al.

(10) **Patent No.:** **US D648,538 S**

(45) **Date of Patent:** **** Nov. 15, 2011**

(54) **LID FOR A CONTAINER**

(75) Inventors: **Terrence L. Reinhart**, Findlay, OH
(US); **Nickolas L. Reinhart**, Findlay,
OH (US)

(73) Assignee: **Centrex Plastics, LLC**, Findlay, OH
(US)

(**) Term: **14 Years**

(21) Appl. No.: **29/377,077**

(22) Filed: **Oct. 15, 2010**

(51) **LOC (9) Cl.** **03-01**

(52) **U.S. Cl.** **D3/318**

(58) **Field of Classification Search** D3/273,
D3/284, 294–295, 302, 304, 318; 206/503–507,
206/509–510, 514, 515, 518; D9/430–432,
D9/435, 424–425

See application file for complete search history.

(56) **References Cited**

U.S. PATENT DOCUMENTS

D328,425 S *	8/1992	Brightbill	D3/282
D339,436 S *	9/1993	Craft et al.	D32/53
D348,138 S	6/1994	Lang-Ree et al.		
D357,182 S	4/1995	Asner		
D360,778 S *	8/1995	Apt et al.	D6/448

D360,898 S *	8/1995	Huerto et al.	D19/90
D361,511 S *	8/1995	Dickinson et al.	D7/605
D380,166 S	6/1997	Burgess		
D381,512 S *	7/1997	Green	D3/294
D390,007 S	2/1998	Ahern, Jr.		
D391,762 S *	3/1998	Ahern, Jr.	D3/302
D393,369 S	4/1998	Tanji		
D398,151 S *	9/1998	Ahern, Jr.	D3/304
D400,354 S *	11/1998	Burrows	D3/307
D410,387 S	6/1999	Jacques		
D536,248 S	2/2007	Lesquir		
D610,452 S	2/2010	Schmidt		

* cited by examiner

Primary Examiner — Holly Baynham

(74) *Attorney, Agent, or Firm* — Banner & Witcoff, Ltd.

(57) **CLAIM**

The ornamental design for a lid for a container, as shown and described.

DESCRIPTION

FIG. 1 is a perspective view of a lid for a container showing my new design;

FIG. 2 is a front view thereof;

FIG. 3 is a rear view thereof;

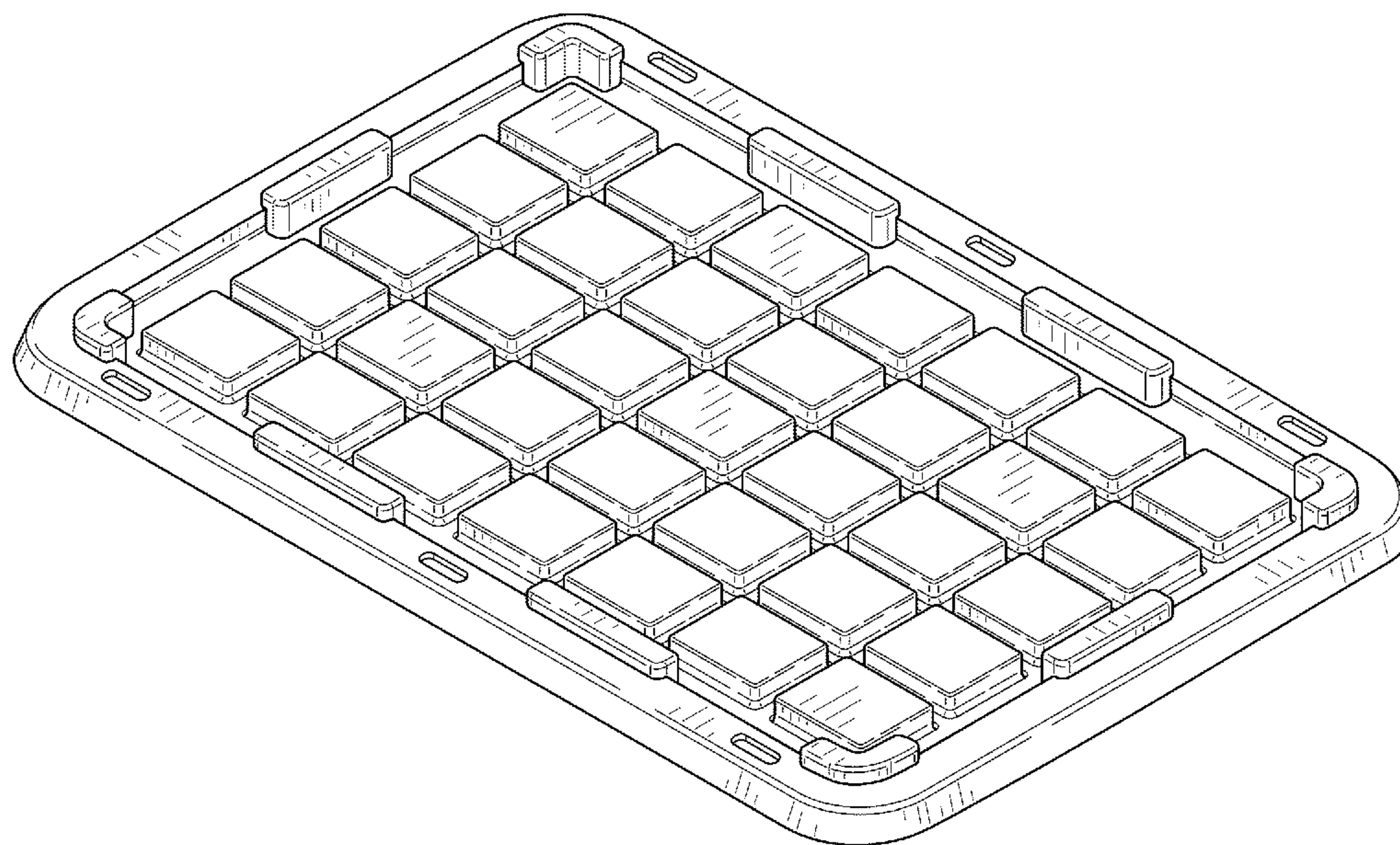
FIG. 4 is a left side view thereof;

FIG. 5 is a right side view thereof;

FIG. 6 is a top view thereof; and,

FIG. 7 is a bottom view thereof.

1 Claim, 4 Drawing Sheets



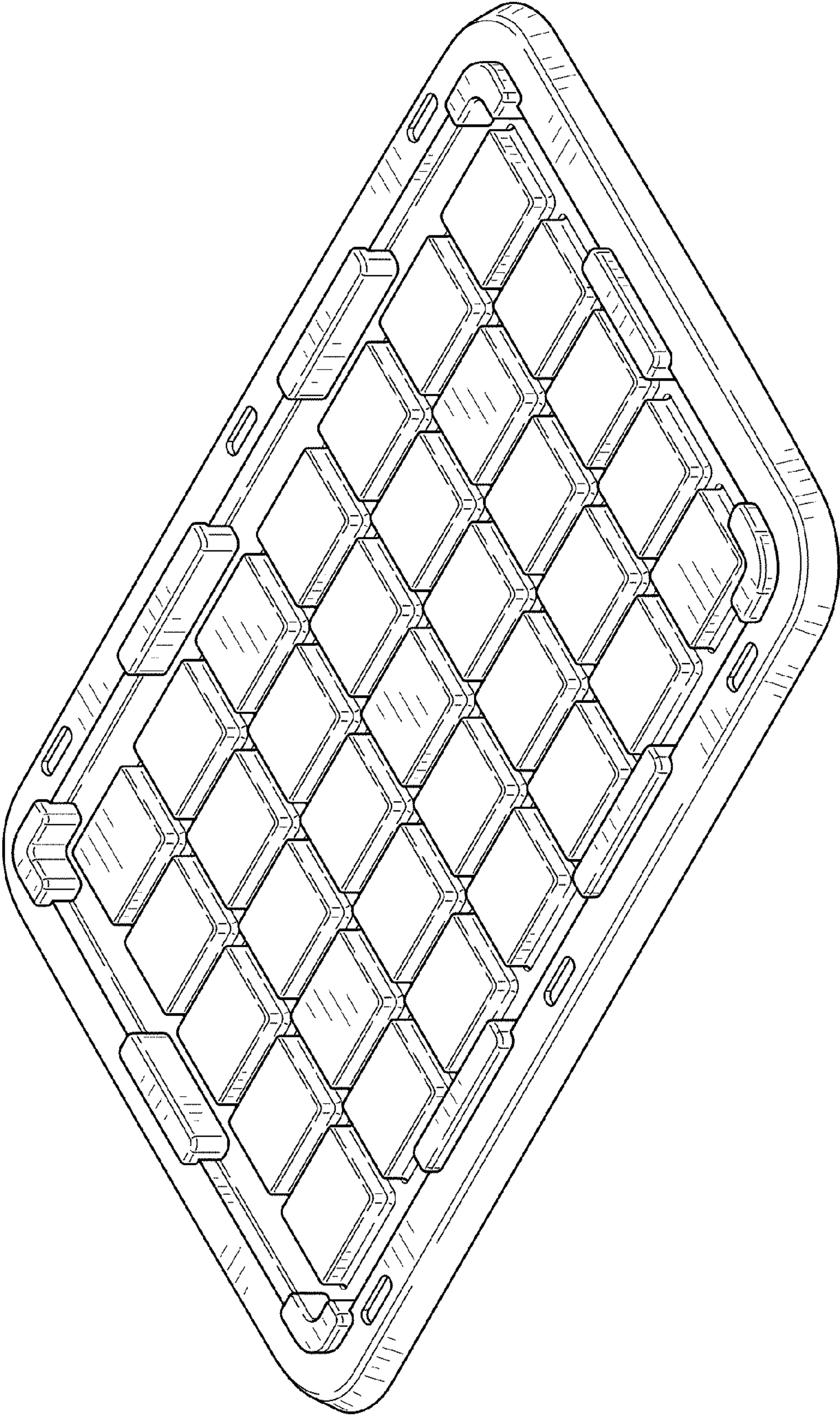


FIG. 1



FIG. 2



FIG. 3

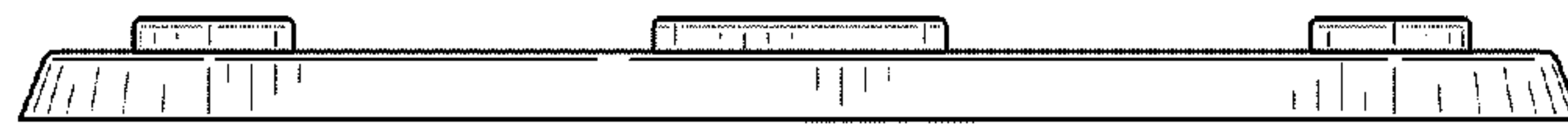


FIG. 4

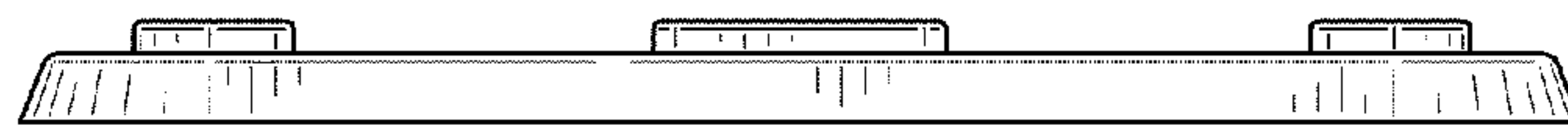


FIG. 5

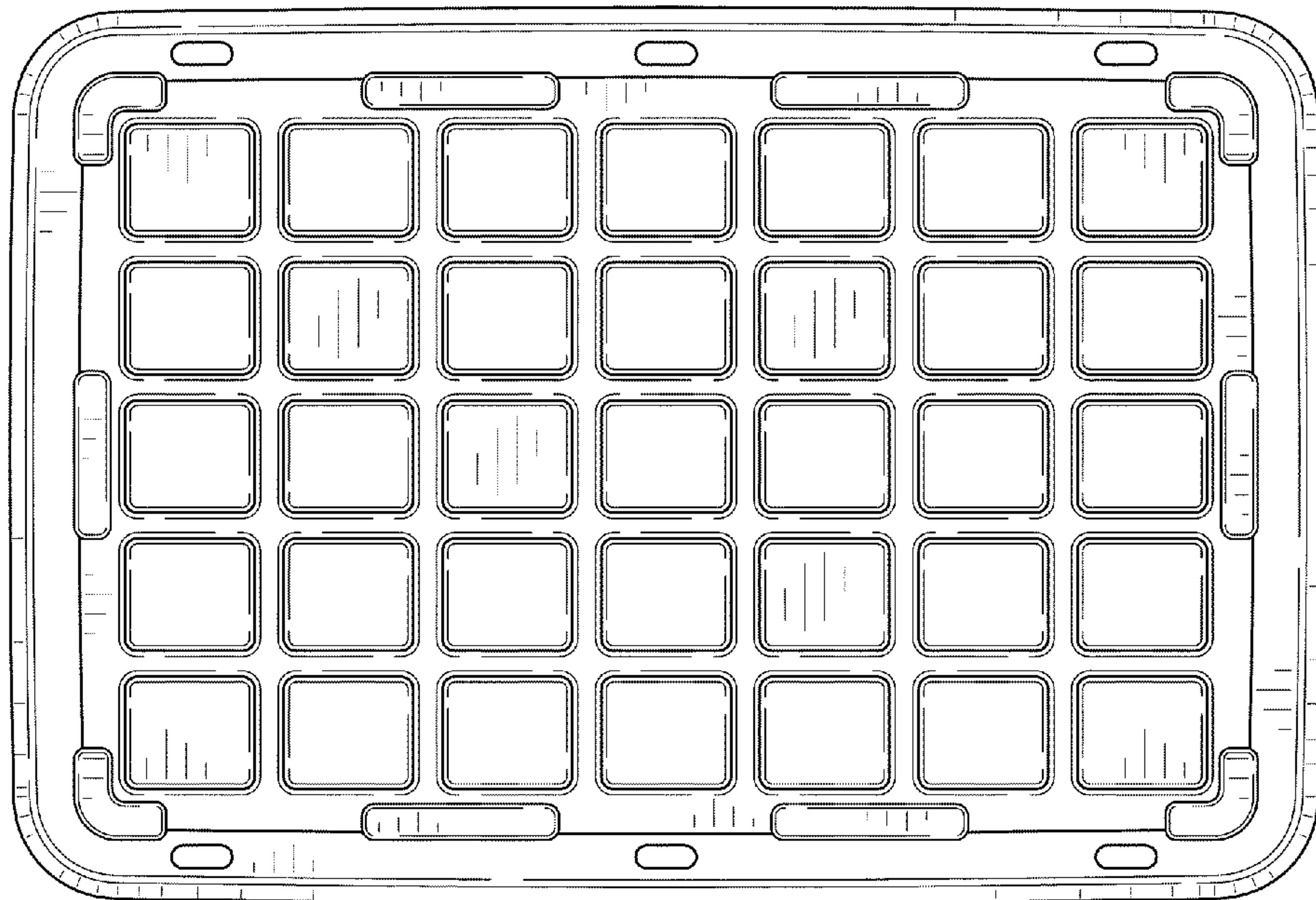


FIG. 6

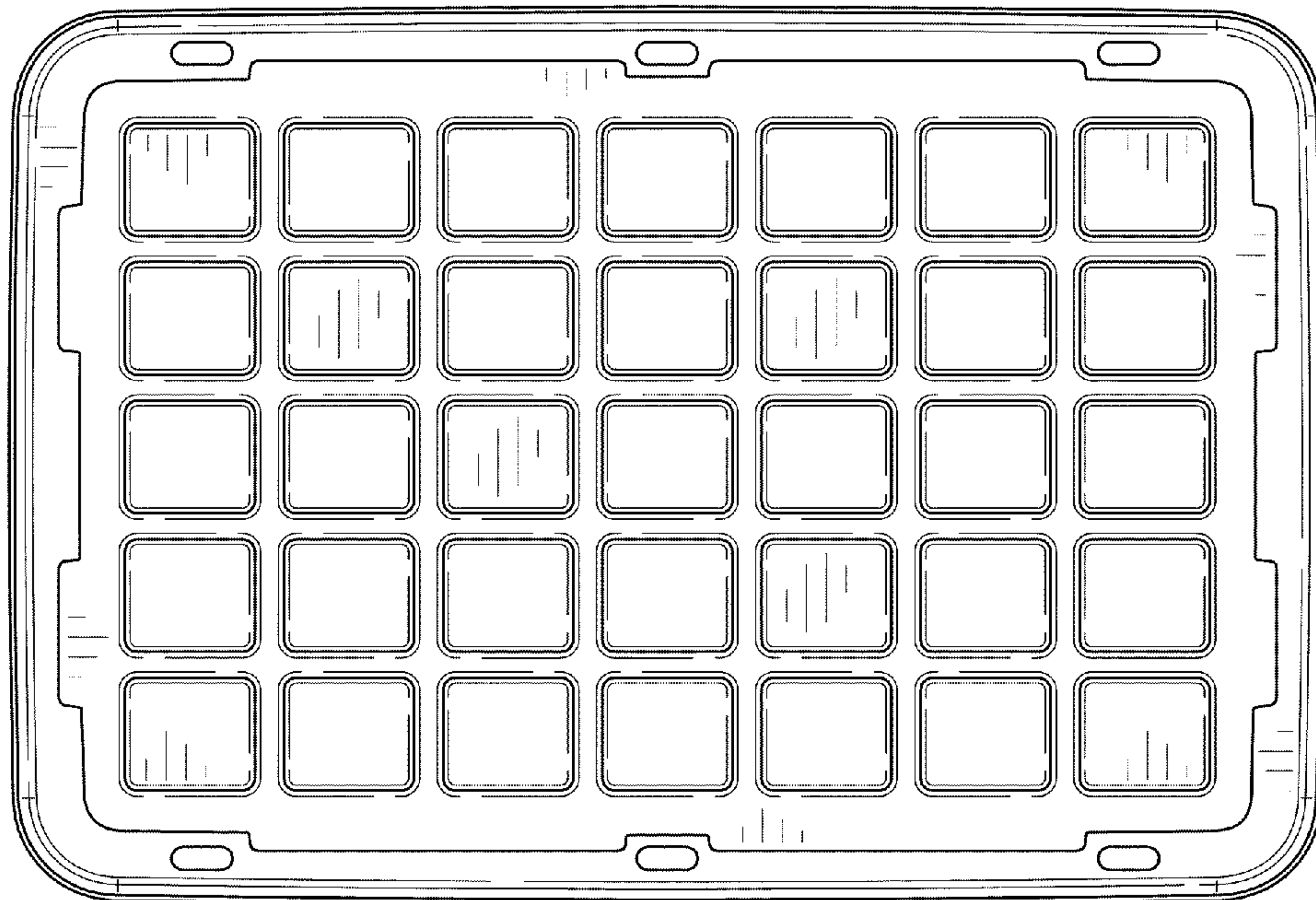


FIG. 7