



US00D648537S

(12) **United States Design Patent**  
**Kostner**

(10) **Patent No.:** **US D648,537 S**

(45) **Date of Patent:** **\*\* Nov. 15, 2011**

(54) **CANVAS LIFT BUCKET WITH SAFETY COVER**

5,797,491 A \* 8/1998 Fierek et al. .... 206/373  
5,833,095 A \* 11/1998 Russell et al. .... 224/576  
D426,062 S \* 6/2000 Shui-Shang ..... D3/315

(75) Inventor: **Justin B. Kostner**, Minneapolis, MN  
(US)

(Continued)

(73) Assignee: **Tenacious Holdings, Inc.**, St. Paul, MN  
(US)

**OTHER PUBLICATIONS**

Competitive Products, Mar. 2009, 1 page.

(\*\*) Term: **14 Years**

*Primary Examiner* — Mark Goodwin

(21) Appl. No.: **29/342,514**

(74) *Attorney, Agent, or Firm* — Patterson Thunten Christensen Pedersen P.A.

(22) Filed: **Aug. 26, 2009**

(57) **CLAIM**

I claim the ornamental design for canvas lift bucket with safety cover, as shown and described.

(51) **LOC (9) Cl.** ..... **03-01**

(52) **U.S. Cl.** ..... **D3/315; D3/242**

(58) **Field of Classification Search** ..... D3/294,  
D3/905, 273, 276, 282, 303, 240–246, 232–233,  
D3/318, 324, 315, 224, 225, 230; D8/71;  
D32/53, 53.1; 383/41, 80; 220/522, 212,  
220/379, 735, 752, 495.06, 751; 206/349,  
206/372, 373; 224/235, 629, 659, 650, 652,  
224/640

**DESCRIPTION**

See application file for complete search history.

FIG. 1 is a perspective view of a canvas lift bucket with safety cover according to an embodiment of the invention.

FIG. 2 is a perspective view of a canvas lift bucket with safety cover according to an embodiment of the invention with the top partially open.

FIG. 3 is a side elevational view of a canvas lift bucket with safety cover according to an embodiment of the invention.

FIG. 4 is a side elevational view of a canvas lift bucket with safety cover according to an embodiment of the invention that is a quarter of a turn from the depiction of FIG. 3.

FIG. 5 is a side elevational view of a canvas lift bucket with safety cover according to an embodiment of the invention that is opposed to the depiction of FIG. 3.

FIG. 6 is a side elevational view of a canvas lift bucket with safety cover according to an embodiment of the invention that is opposed to the depiction of FIG. 4.

FIG. 7 is a top planform view of a canvas lift bucket with safety cover according to an embodiment of the invention; and,

FIG. 8 is a bottom planform view of a canvas lift bucket with safety cover according to an embodiment of the invention.

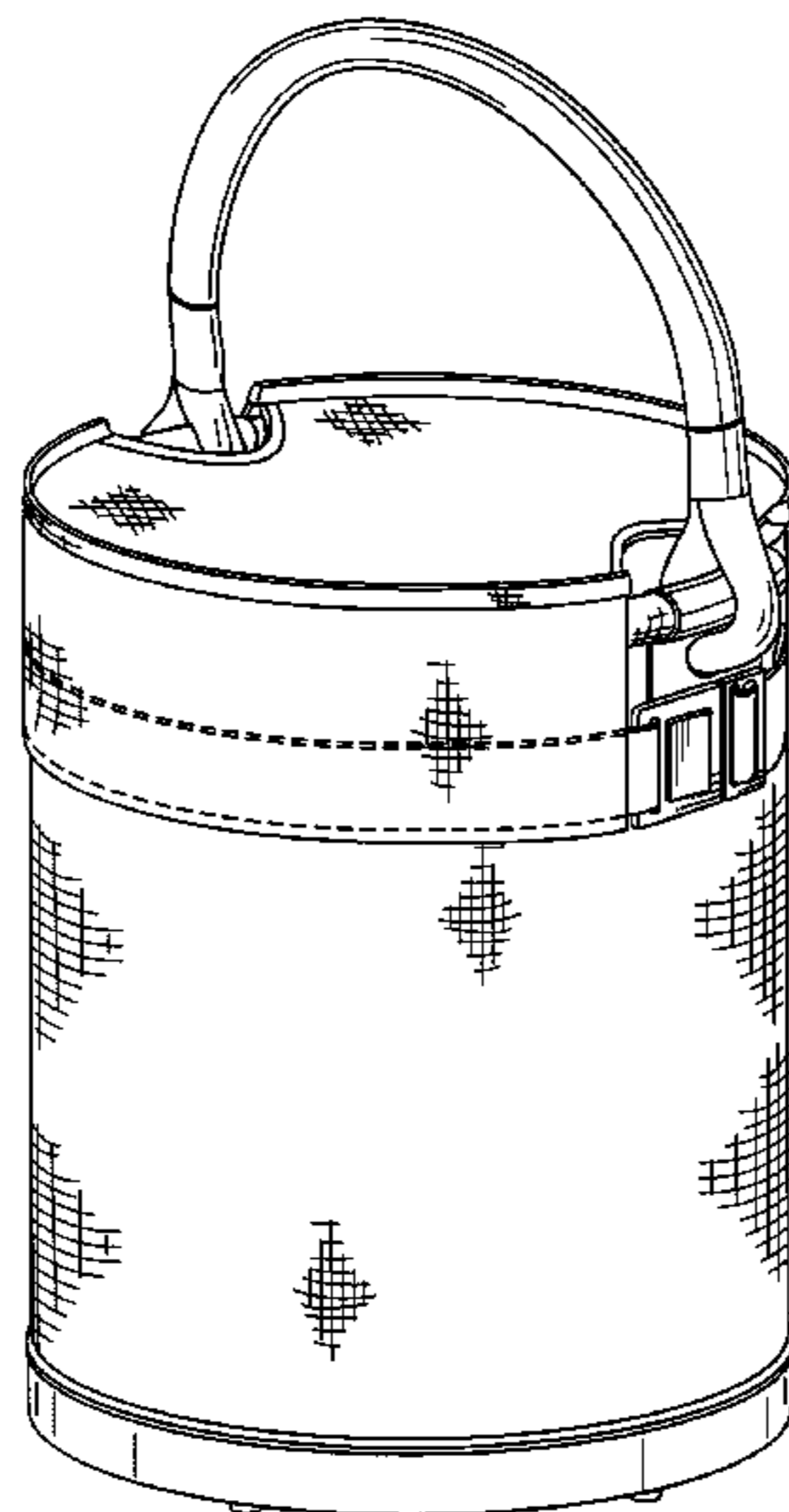
The broken lines in the drawings represent stitching and are part of the claimed design.

(56) **References Cited**

**U.S. PATENT DOCUMENTS**

D139,682 S \* 12/1944 Kole ..... D3/242  
D142,832 S \* 11/1945 Calem ..... D3/242  
D143,539 S \* 1/1946 Levine ..... D3/242  
D222,951 S \* 2/1972 Stringer ..... D12/425  
D290,064 S \* 6/1987 Whitaker ..... D3/303  
D294,445 S \* 3/1988 Jorgensen ..... D7/603  
D296,749 S \* 7/1988 Threadgill et al. .... D15/82  
4,844,373 A \* 7/1989 Fike, Sr. .... 242/588.1  
4,977,941 A \* 12/1990 Henderson ..... 150/112  
D355,062 S \* 1/1995 Maire et al. .... D32/53  
5,429,265 A \* 7/1995 Maire et al. .... 220/522  
D362,710 S \* 9/1995 Hambrick ..... D22/136  
D365,506 S \* 12/1995 Spitere ..... D3/294  
D372,125 S \* 7/1996 Frazier ..... D3/315  
D380,945 S \* 7/1997 Alegria et al. .... D7/709  
5,659,995 A \* 8/1997 Hoffman ..... 43/54.1

**1 Claim, 8 Drawing Sheets**



# US D648,537 S

Page 2

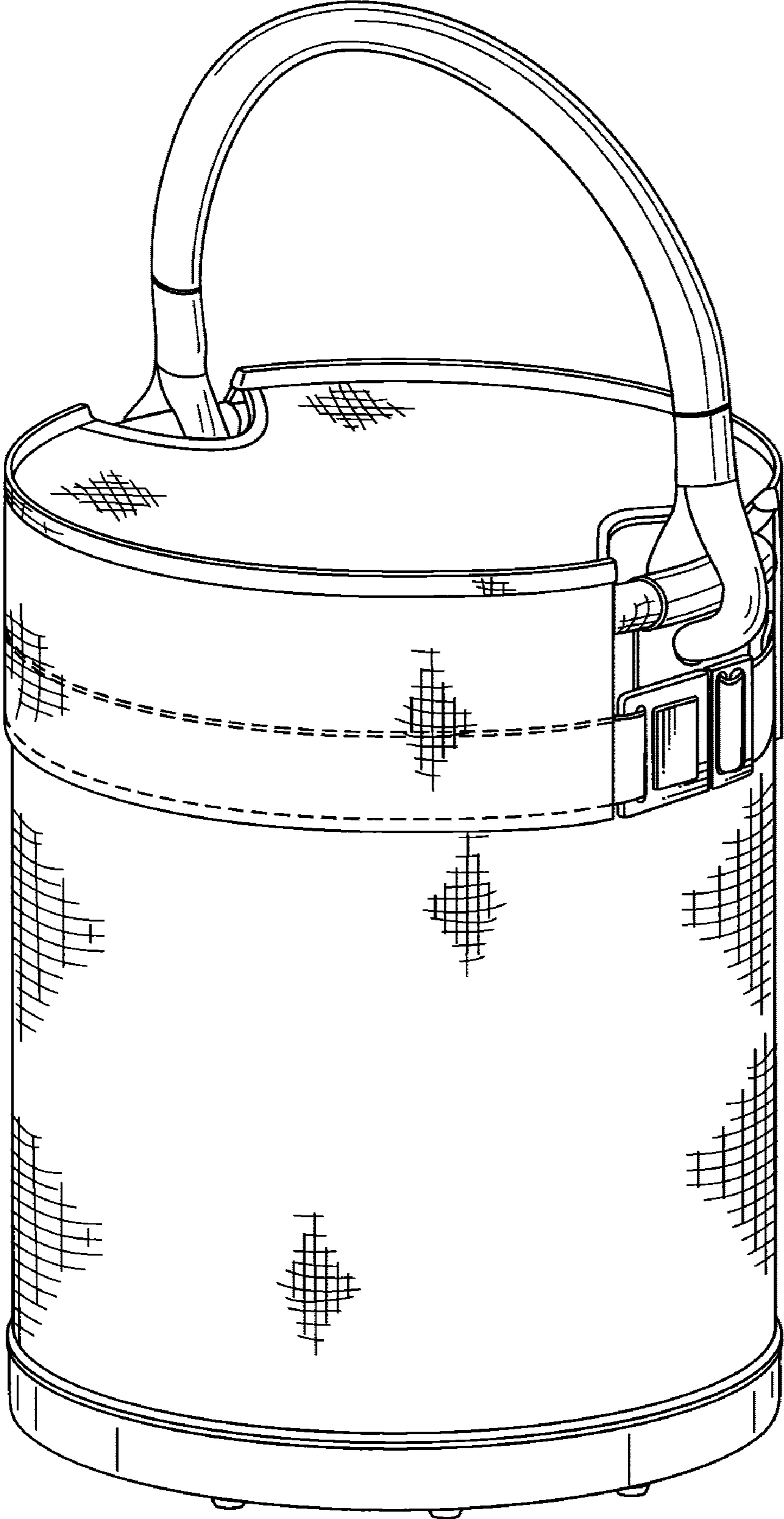
---

## U.S. PATENT DOCUMENTS

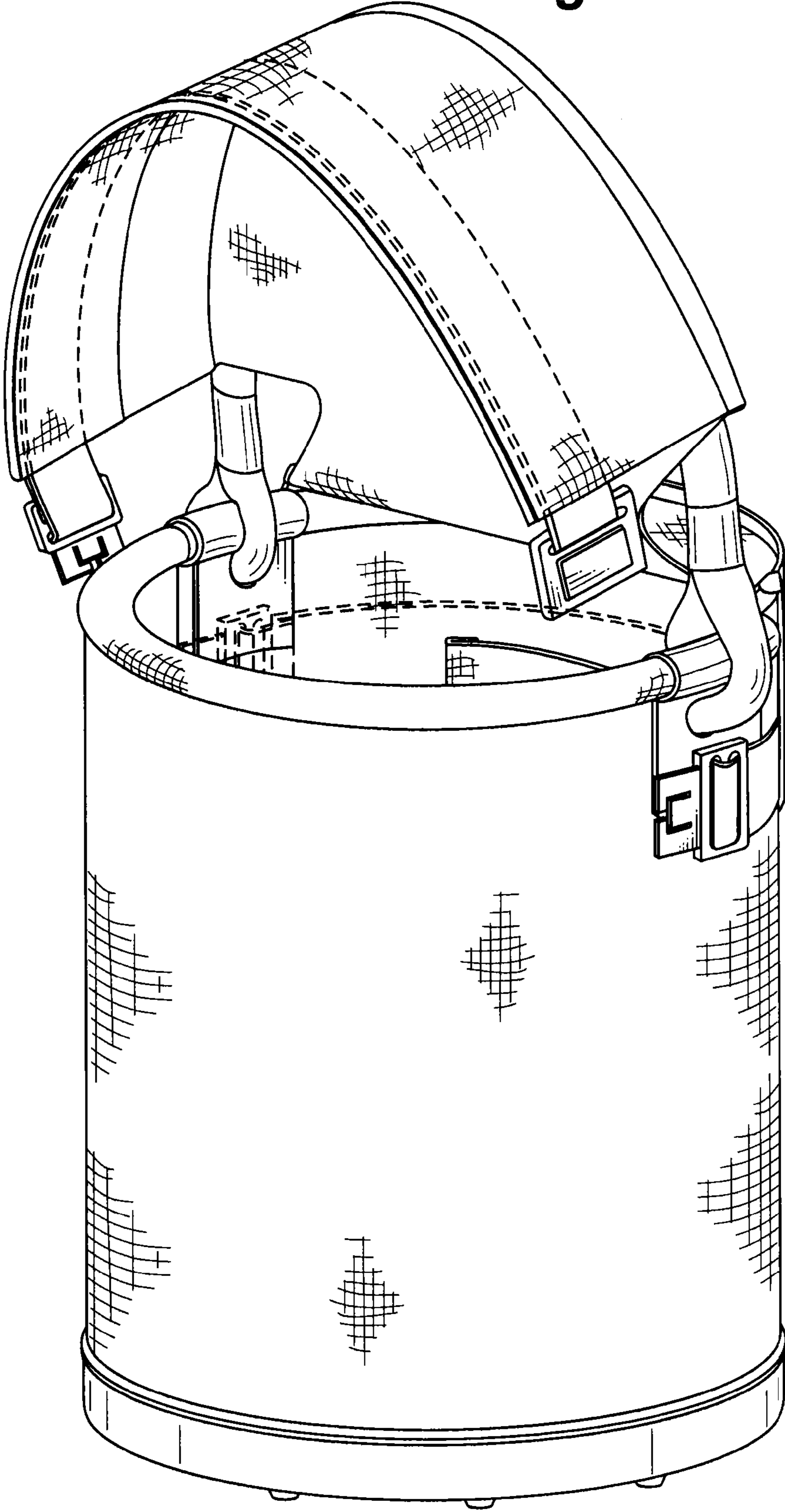
|           |      |         |                |       |            |              |      |         |                                |
|-----------|------|---------|----------------|-------|------------|--------------|------|---------|--------------------------------|
| 6,315,310 | B1 * | 11/2001 | Hurt           | ..... | 280/79.5   |              |      |         |                                |
| 6,536,590 | B1 * | 3/2003  | Godshaw et al. | ..... | 206/373    |              |      |         |                                |
| 6,938,761 | B2 * | 9/2005  | Nish           | ..... | 206/315.11 |              |      |         |                                |
| D548,541  | S *  | 8/2007  | Jackson        | ..... | D7/640     |              |      |         |                                |
|           |      |         |                |       |            | D602,694     | S *  | 10/2009 | Alvarez ..... D3/315           |
|           |      |         |                |       |            | D604,047     | S *  | 11/2009 | Williams ..... D3/310          |
|           |      |         |                |       |            | 2007/0205234 | A1 * | 9/2007  | Lessmann ..... 224/155         |
|           |      |         |                |       |            | 2009/0250470 | A1 * | 10/2009 | Merrick et al. .... 220/495.06 |

\* cited by examiner

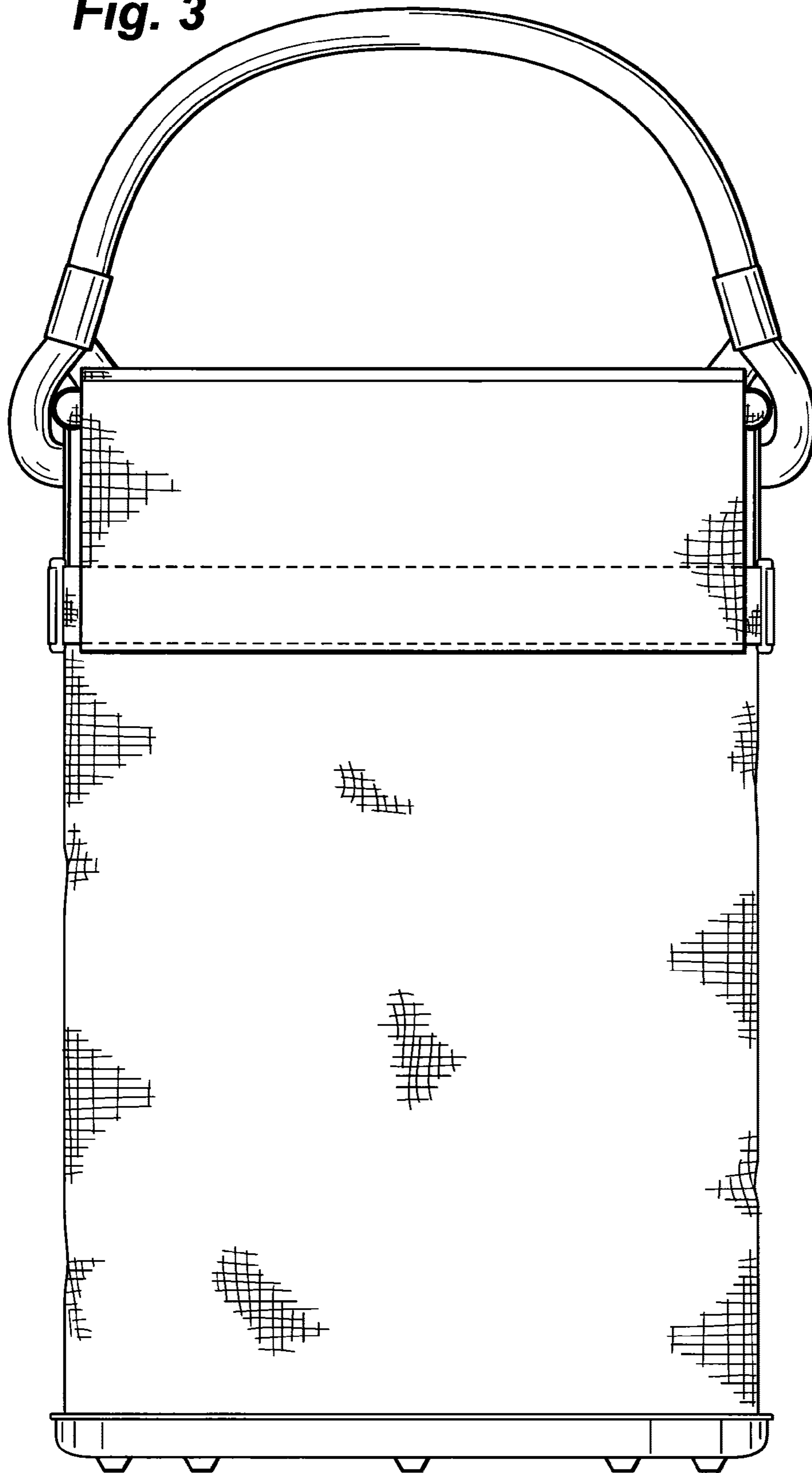
**Fig. 1**



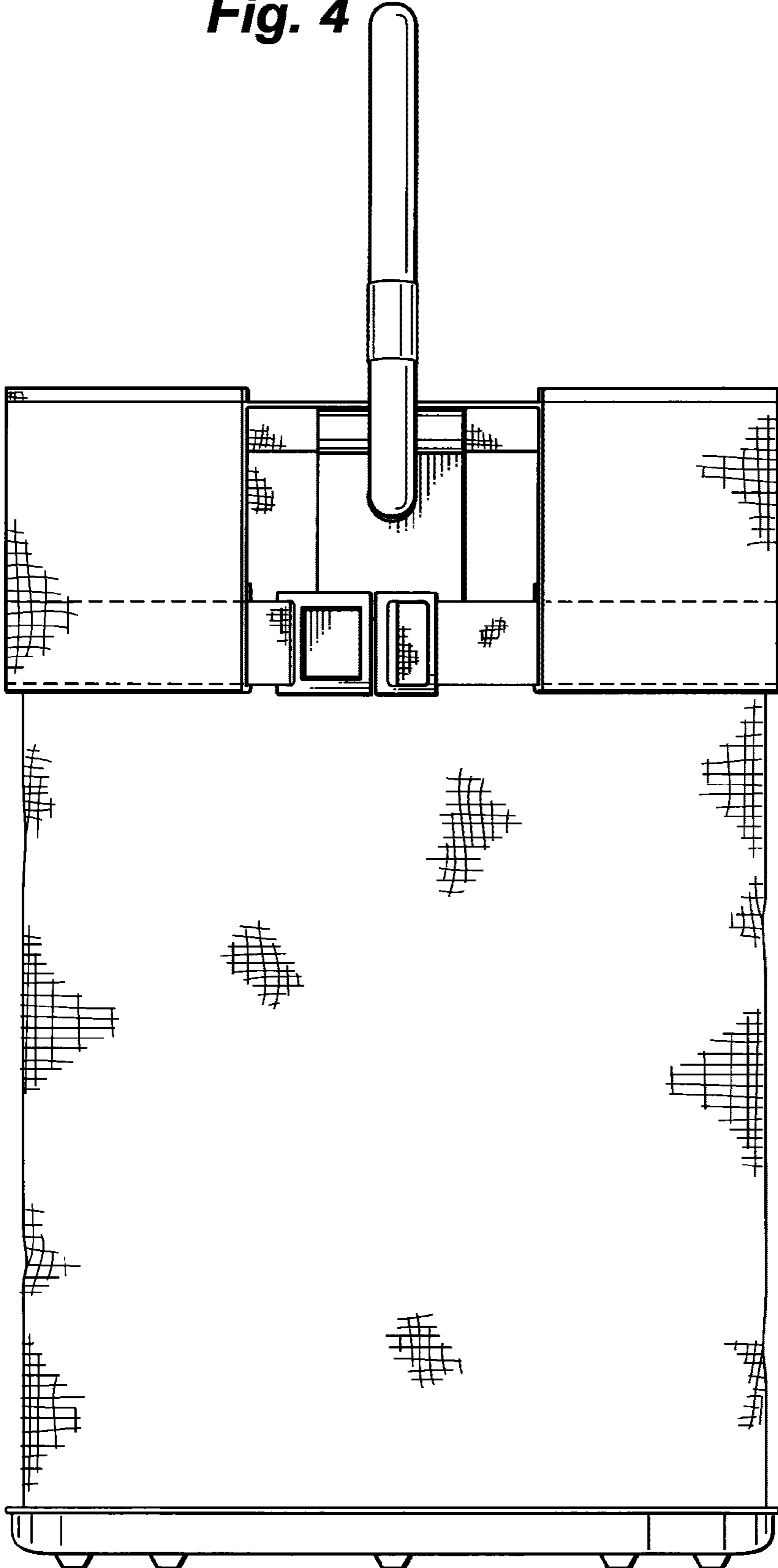
**Fig. 2**



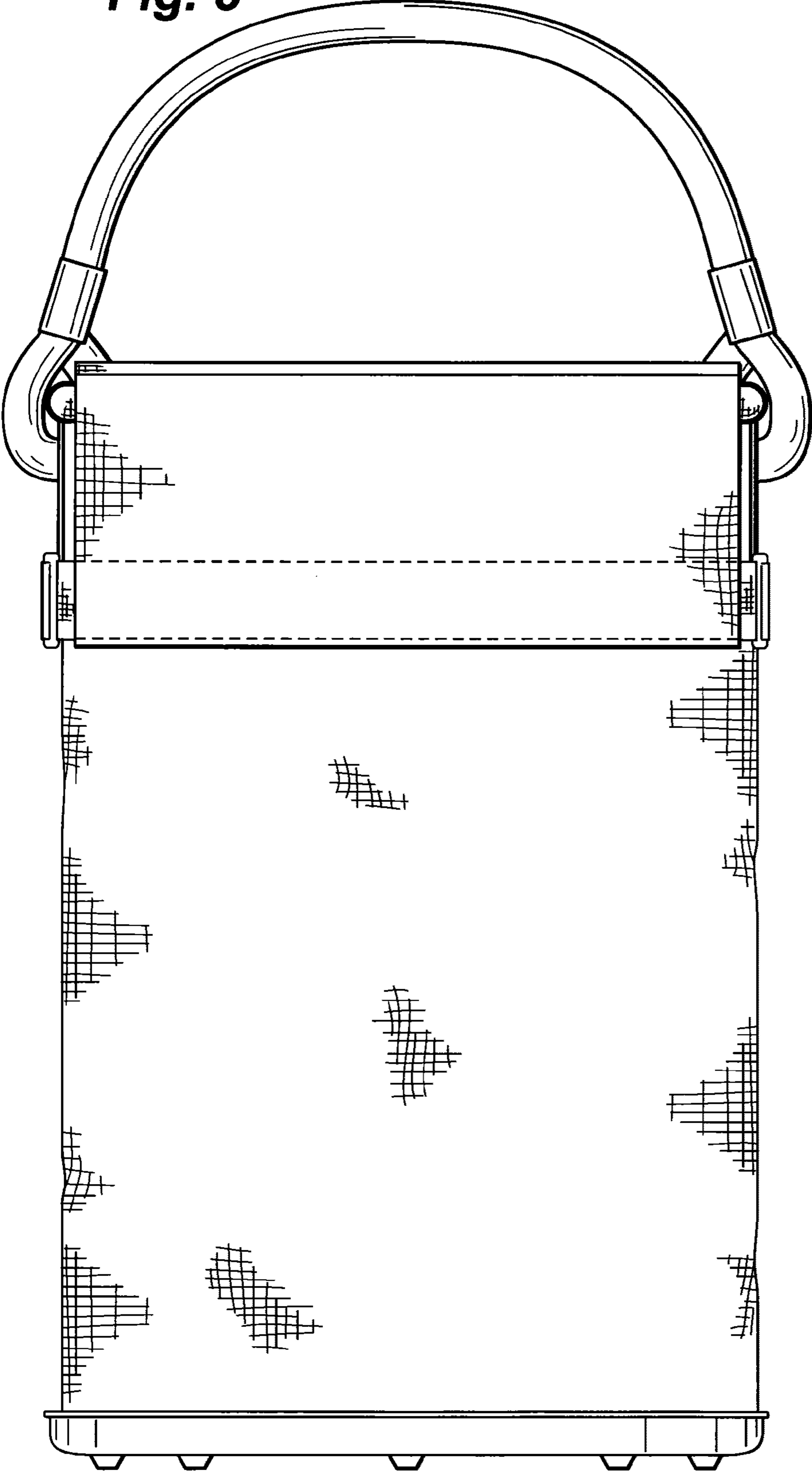
**Fig. 3**



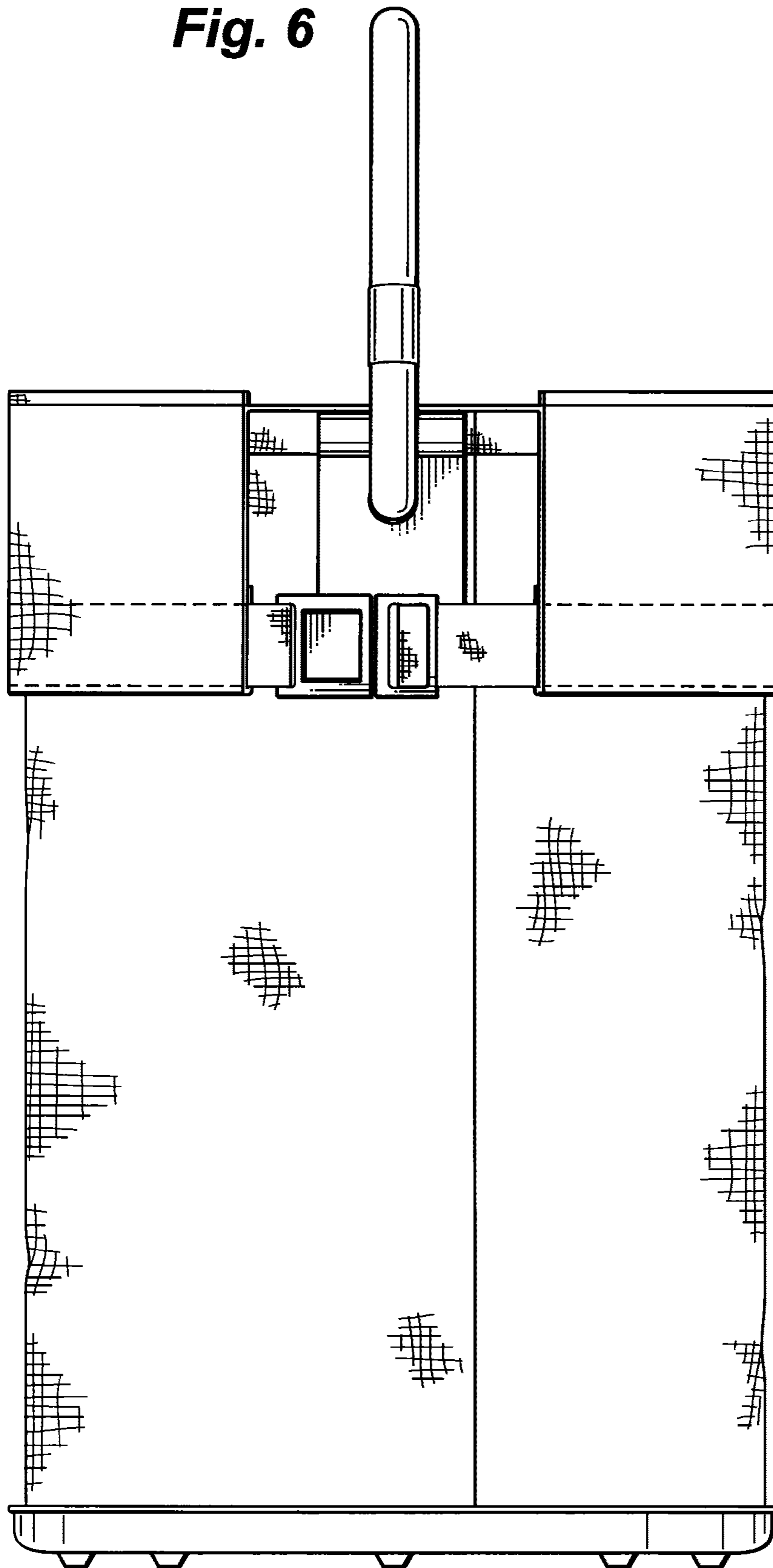
**Fig. 4**



**Fig. 5**

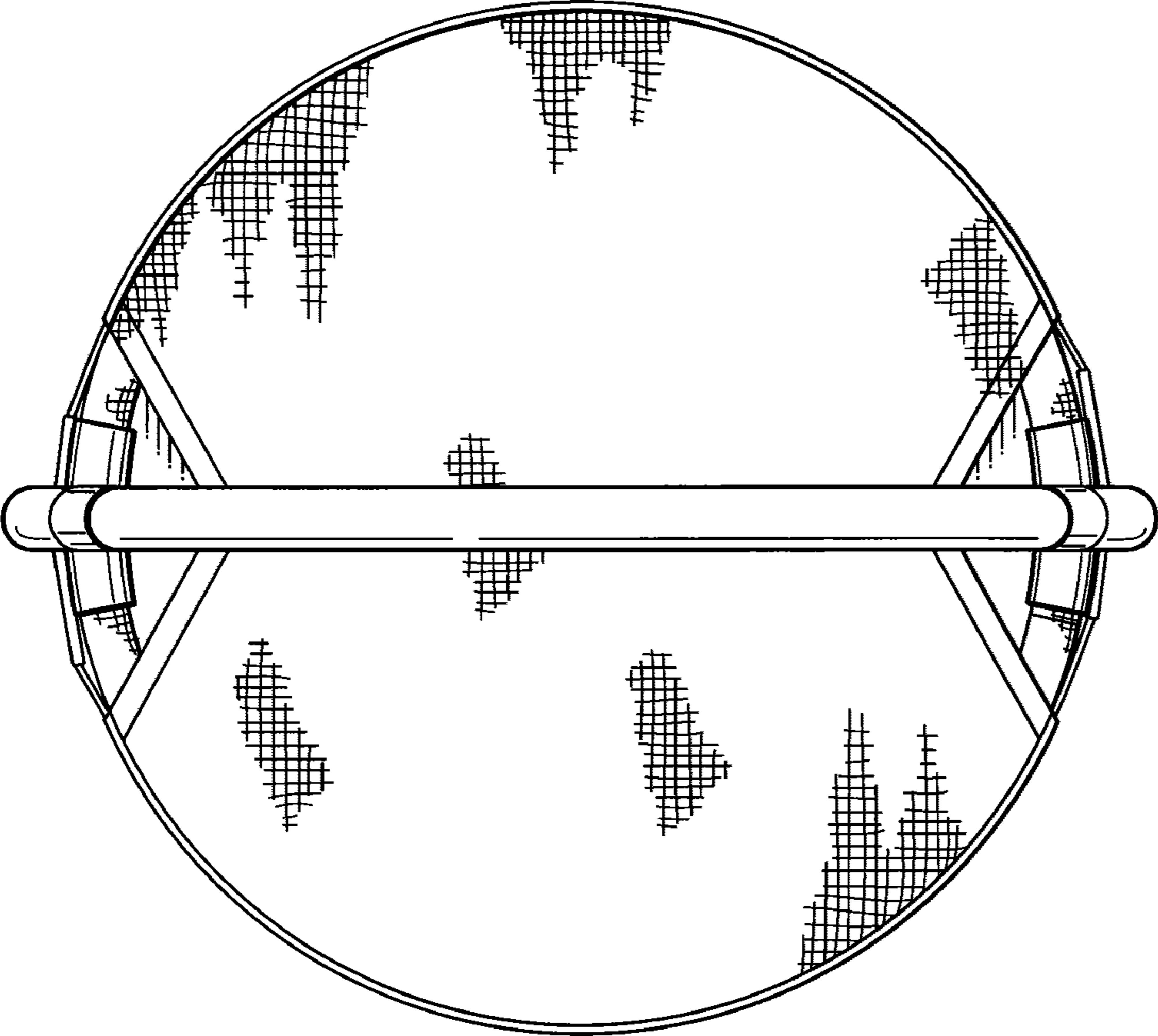


**Fig. 6**





**Fig. 7**



**Fig. 8**

