



US00D648535S

(12) **United States Design Patent**
Reinhart et al.

(10) **Patent No.:** **US D648,535 S**

(45) **Date of Patent:** **** Nov. 15, 2011**

(54) **CONTAINER**

(75) Inventors: **Terrence L. Reinhart**, Findlay, OH
(US); **Nickolas L. Reinhart**, Findlay,
OH (US)

(73) Assignee: **Centrex Plastics, LLC**, Findlay, OH
(US)

(**) Term: **14 Years**

(21) Appl. No.: **29/377,078**

(22) Filed: **Oct. 15, 2010**

(51) **LOC (9) Cl.** **03-01**

(52) **U.S. Cl.** **D3/302**

(58) **Field of Classification Search** D3/302,
D3/304, 273, 284, 294–295; D9/430–432,
D9/424–425; 206/503–507, 509–510, 514–515,
206/518

See application file for complete search history.

D398,151 S *	9/1998	Ahern, Jr.	D3/304
D400,354 S *	11/1998	Burrows	D3/307
D461,120 S	8/2002	Ostro	
D500,676 S	1/2005	Jackson et al.	
D500,924 S	1/2005	Martin et al.	
D502,061 S	2/2005	Dais et al.	
D511,247 S	11/2005	Tsuchiya	
D515,438 S	2/2006	Baranowski et al.	
D531,894 S	11/2006	Ramirez et al.	
D536,992 S	2/2007	Garg et al.	
D552,487 S	10/2007	Chou	
D556,517 S	12/2007	Lown et al.	
D586,652 S	2/2009	Wallach	
D590,244 S	4/2009	Demalsche et al.	
D592,018 S	5/2009	Back	
D597,383 S	8/2009	Masterton et al.	
D604,604 S	11/2009	Strange	
D608,641 S	1/2010	Baughman et al.	
D610,007 S	2/2010	Baughman et al.	
D610,596 S	2/2010	Mizushima	

* cited by examiner

Primary Examiner — Holly Baynham

(74) *Attorney, Agent, or Firm* — Banner & Witcoff, Ltd.

(56) **References Cited**

U.S. PATENT DOCUMENTS

D328,425 S *	8/1992	Brightbill	D3/282
D339,436 S *	9/1993	Craft et al.	D32/53
D349,646 S	8/1994	Dickinson	
D358,765 S	5/1995	Dickinson et al.	
D360,778 S *	8/1995	Apt et al.	D6/448
D360,898 S *	8/1995	Huerto et al.	D19/90
D361,511 S *	8/1995	Dickinson et al.	D7/605
D361,715 S	8/1995	Hauptert	
D370,345 S	6/1996	Wolff	
D381,512 S *	7/1997	Green	D3/294
D382,795 S	8/1997	Abayhan et al.	
D383,606 S	9/1997	Bourbonnais	
D391,762 S *	3/1998	Ahern, Jr.	D3/302
D394,550 S	5/1998	Tanji	

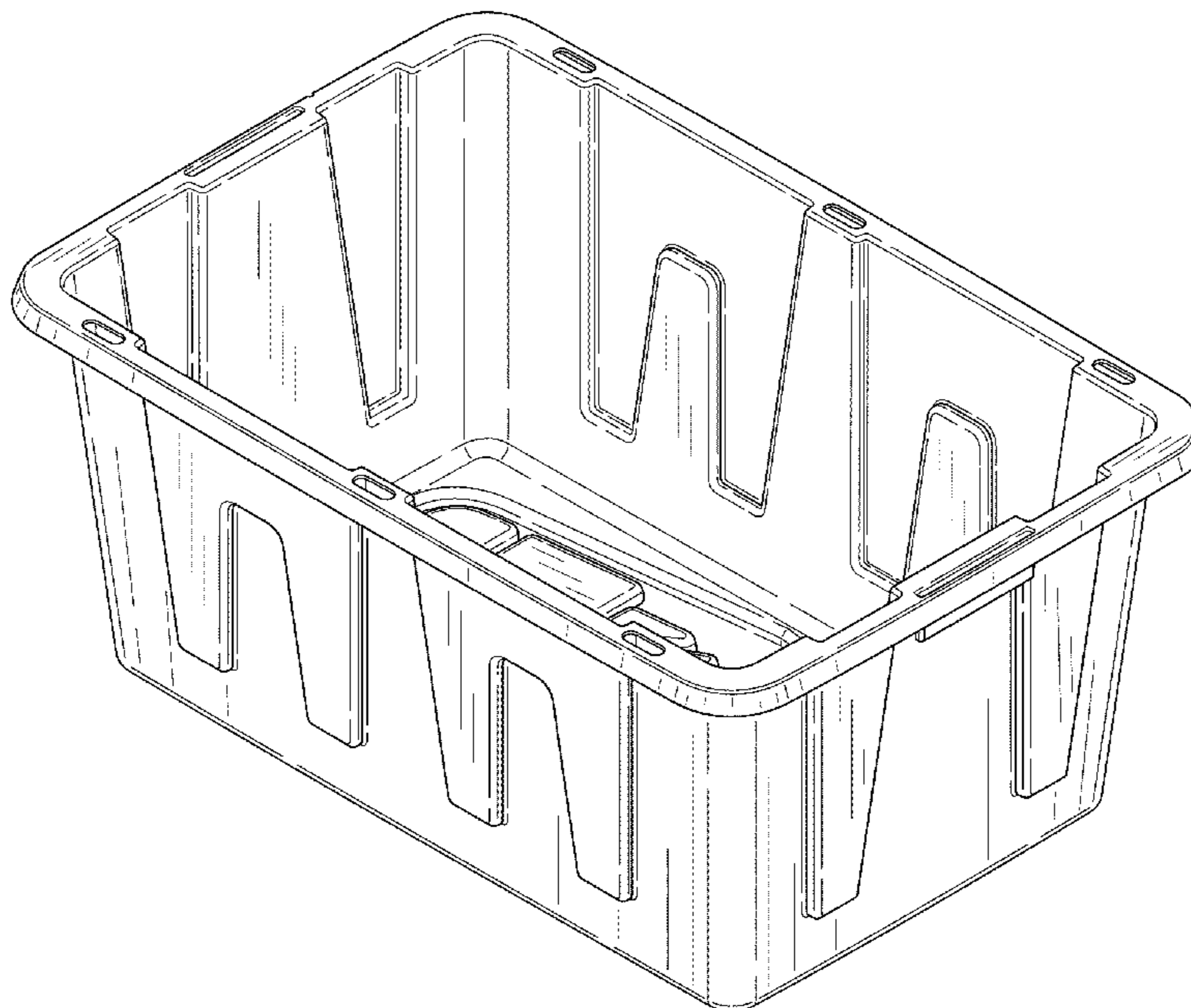
(57) **CLAIM**

The ornamental design for a container, as shown and described.

DESCRIPTION

FIG. 1 is a perspective view of a container showing my new design;
FIG. 2 is a front view thereof;
FIG. 3 is a rear view thereof;
FIG. 4 is a left side view thereof;
FIG. 5 is a right side view thereof; and,
FIG. 6 is a top view thereof.

1 Claim, 4 Drawing Sheets



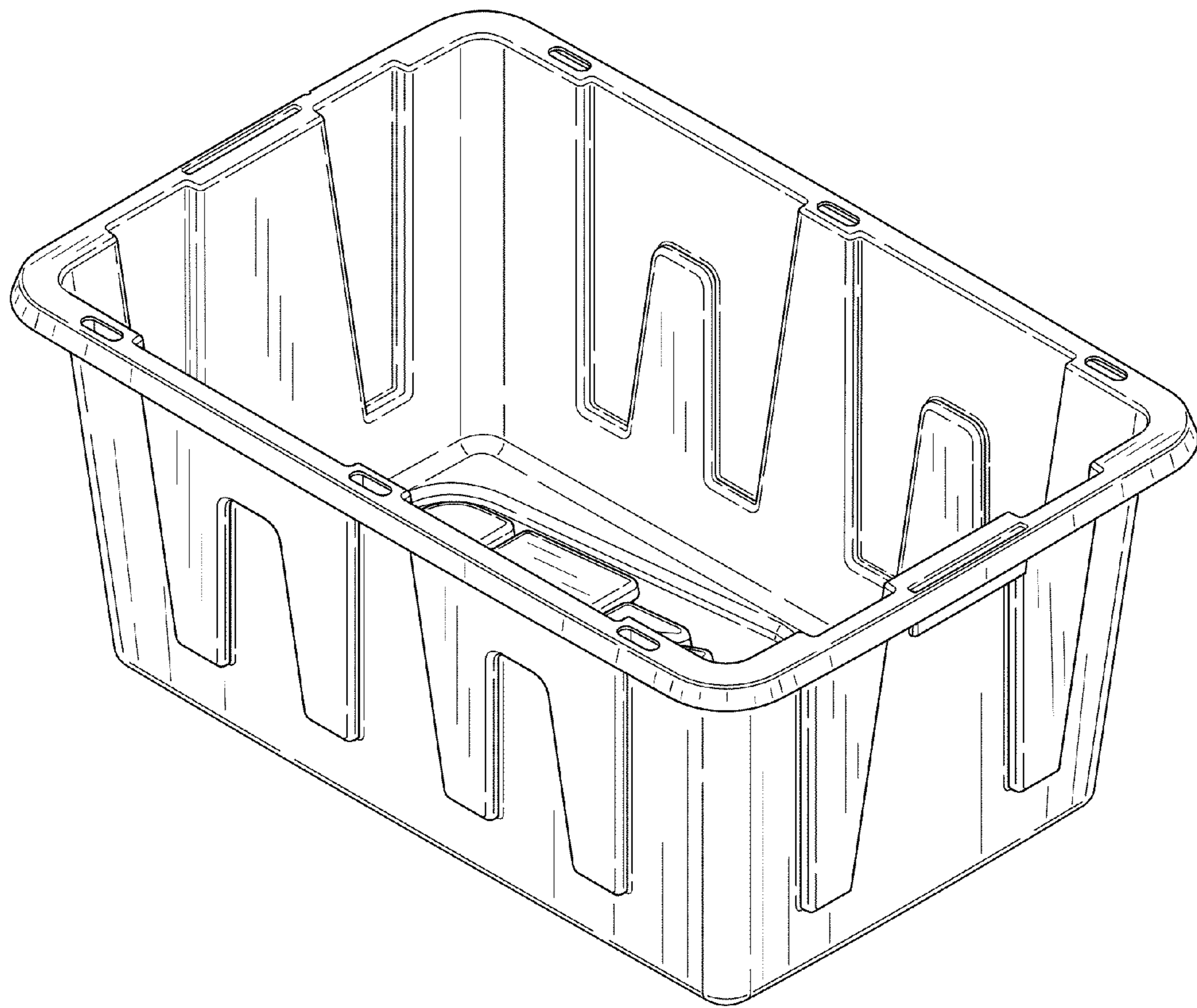


FIG. 1

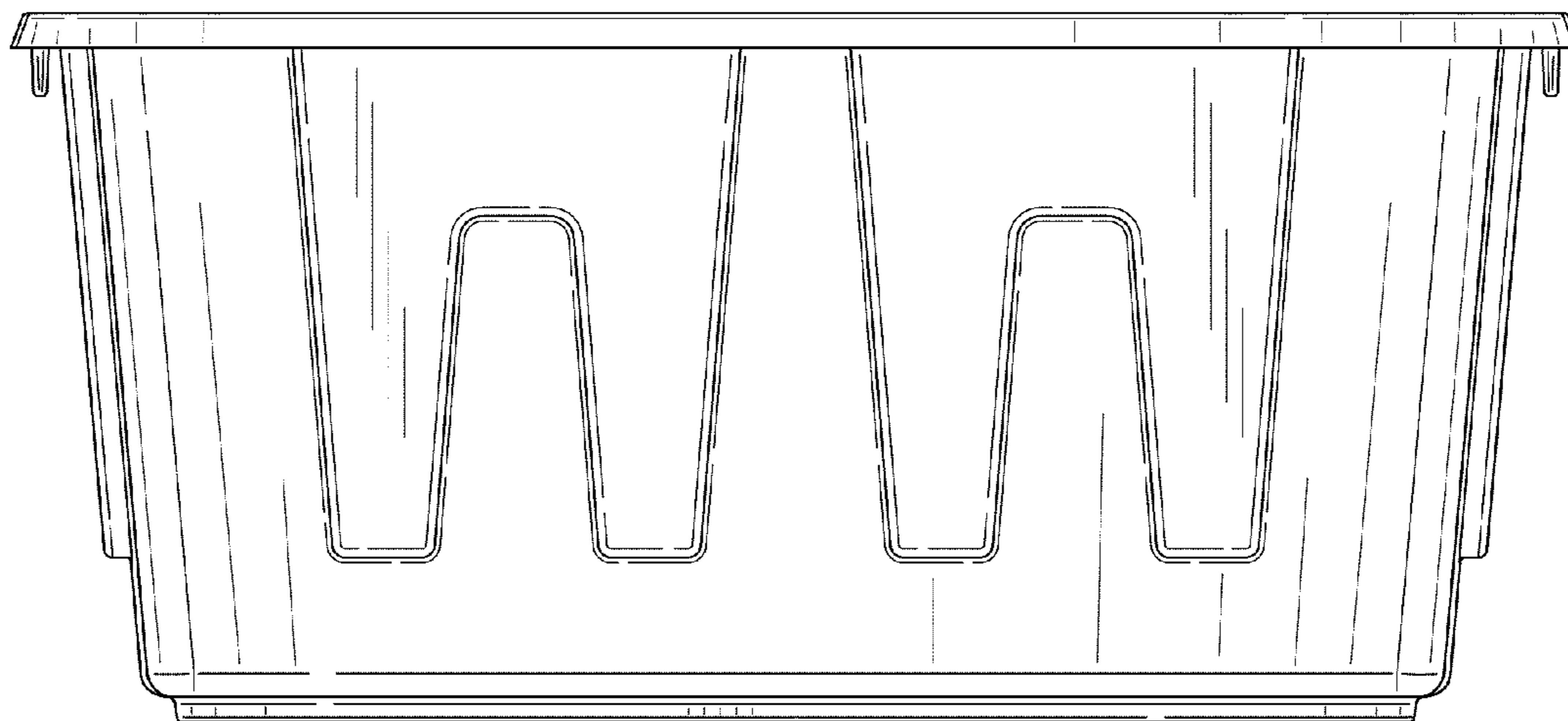


FIG. 2

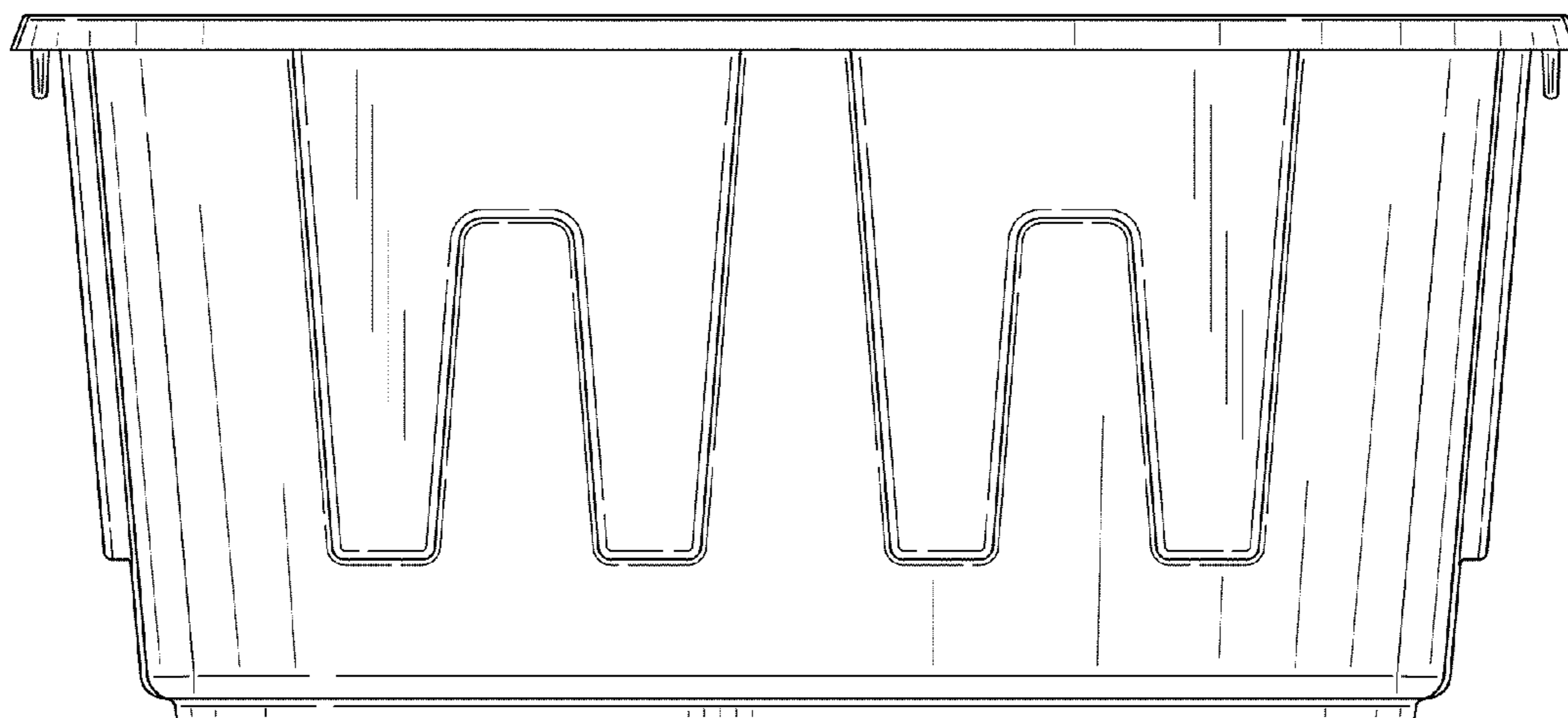


FIG. 3

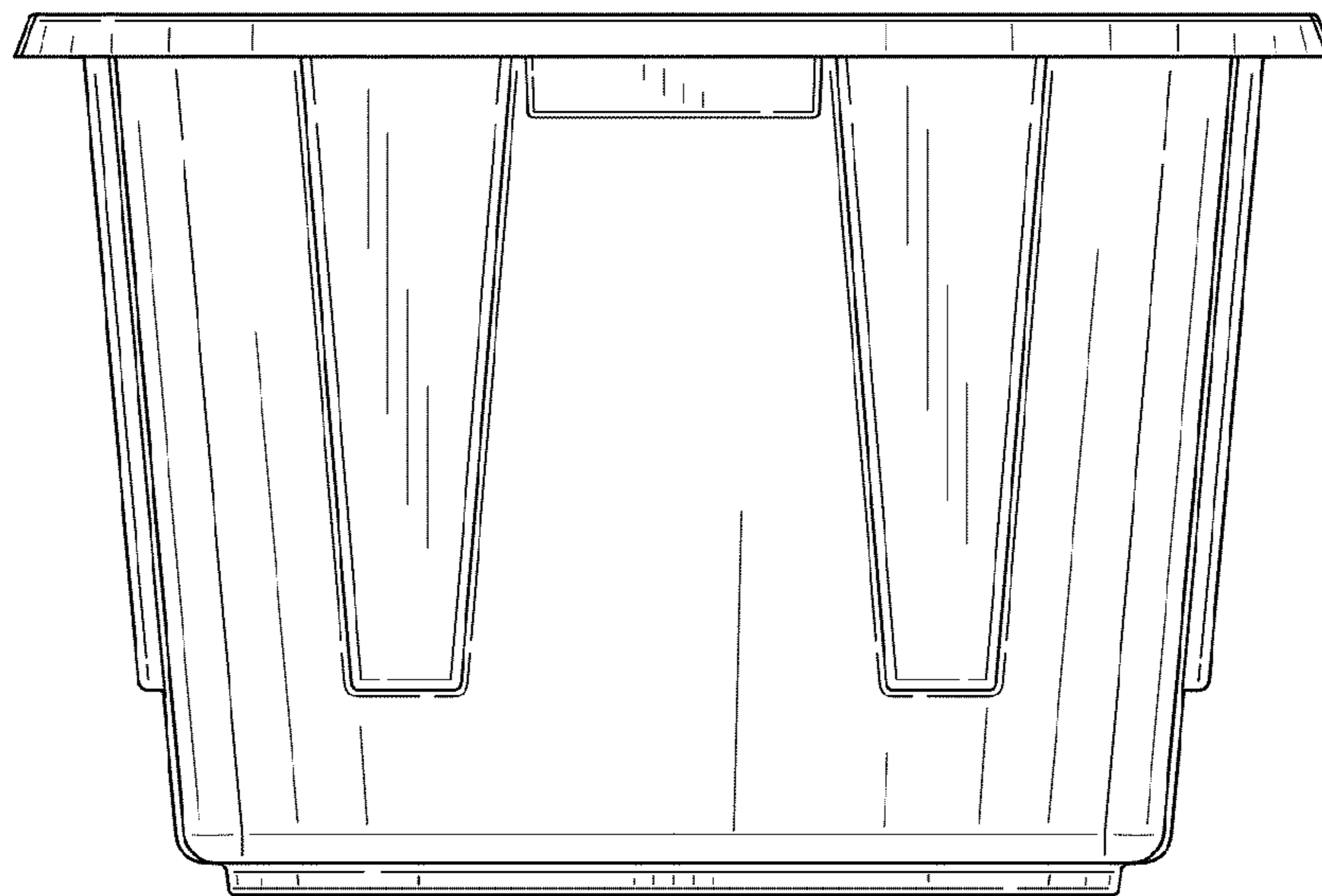


FIG. 4

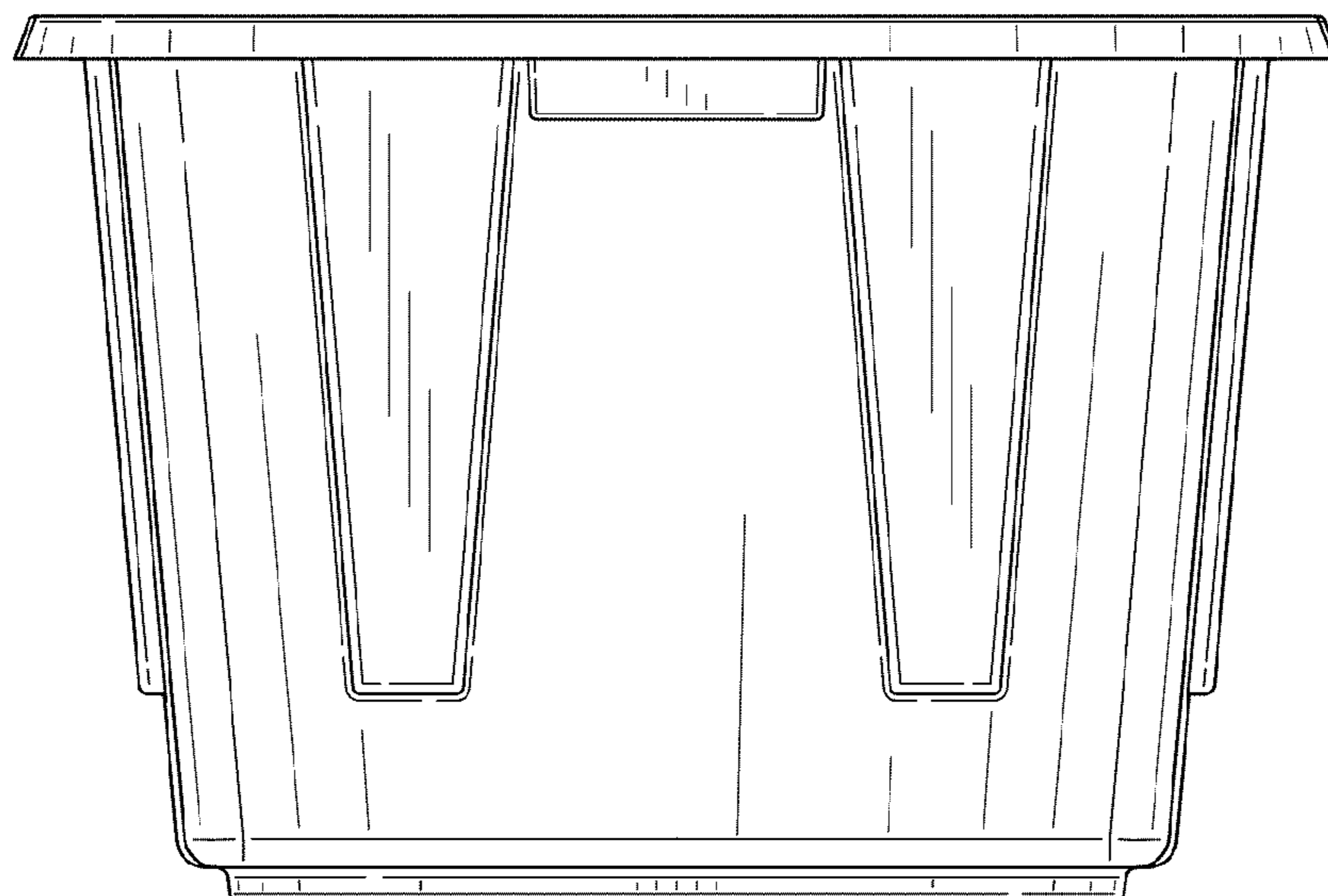


FIG. 5

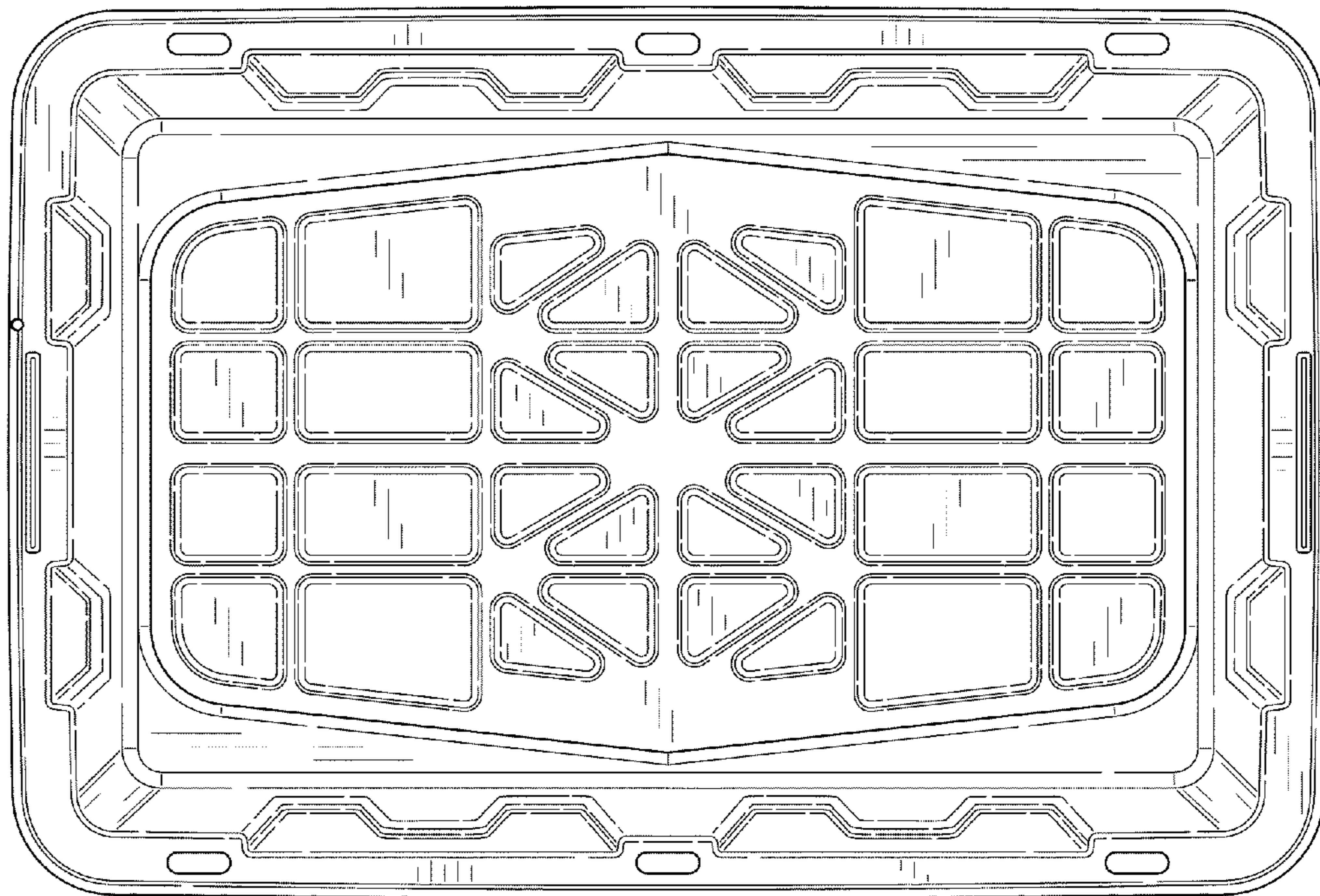


FIG. 6