

US00D648534S

(12) **United States Design Patent**
Hsu

(10) **Patent No.:** **US D648,534 S**

(45) **Date of Patent:** **** Nov. 15, 2011**

(54) **TOOL BOX**

(76) Inventor: **Shao-Hsien Hsu**, Taichung (TW)

(**) Term: **14 Years**

(21) Appl. No.: **29/384,197**

(22) Filed: **Jan. 28, 2011**

(51) **LOC (9) Cl.** **03-01**

(52) **U.S. Cl.** **D3/293; D3/298; D3/905**

(58) **Field of Classification Search** D3/273,
D3/274, 276, 280–284, 286, 288, 291, 292,
D3/294–295, 905, 298, 293; 206/349, 372–379,
206/1.5; 220/523, 527; D9/423, 424; 211/70.6
See application file for complete search history.

(56) **References Cited**

U.S. PATENT DOCUMENTS

D400,010 S *	10/1998	Vasudeva	D3/276
D446,651 S *	8/2001	Liao	D3/284
D473,713 S *	4/2003	Chen	D3/282
D474,340 S *	5/2003	Vasudeva	D3/282
D478,725 S *	8/2003	Vasudeva et al.	D3/282
D519,733 S *	5/2006	Chen	D3/293
D539,035 S *	3/2007	Chen	D3/281

D541,045 S *	4/2007	Peart et al.	D3/291
D552,465 S *	10/2007	Ringo	D9/415
2006/0042980 A1 *	3/2006	Chen	206/379
2006/0131192 A1 *	6/2006	Hernandez et al.	206/349
2007/0095690 A1 *	5/2007	Nguy et al.	206/372

* cited by examiner

Primary Examiner — Jennifer Rivard

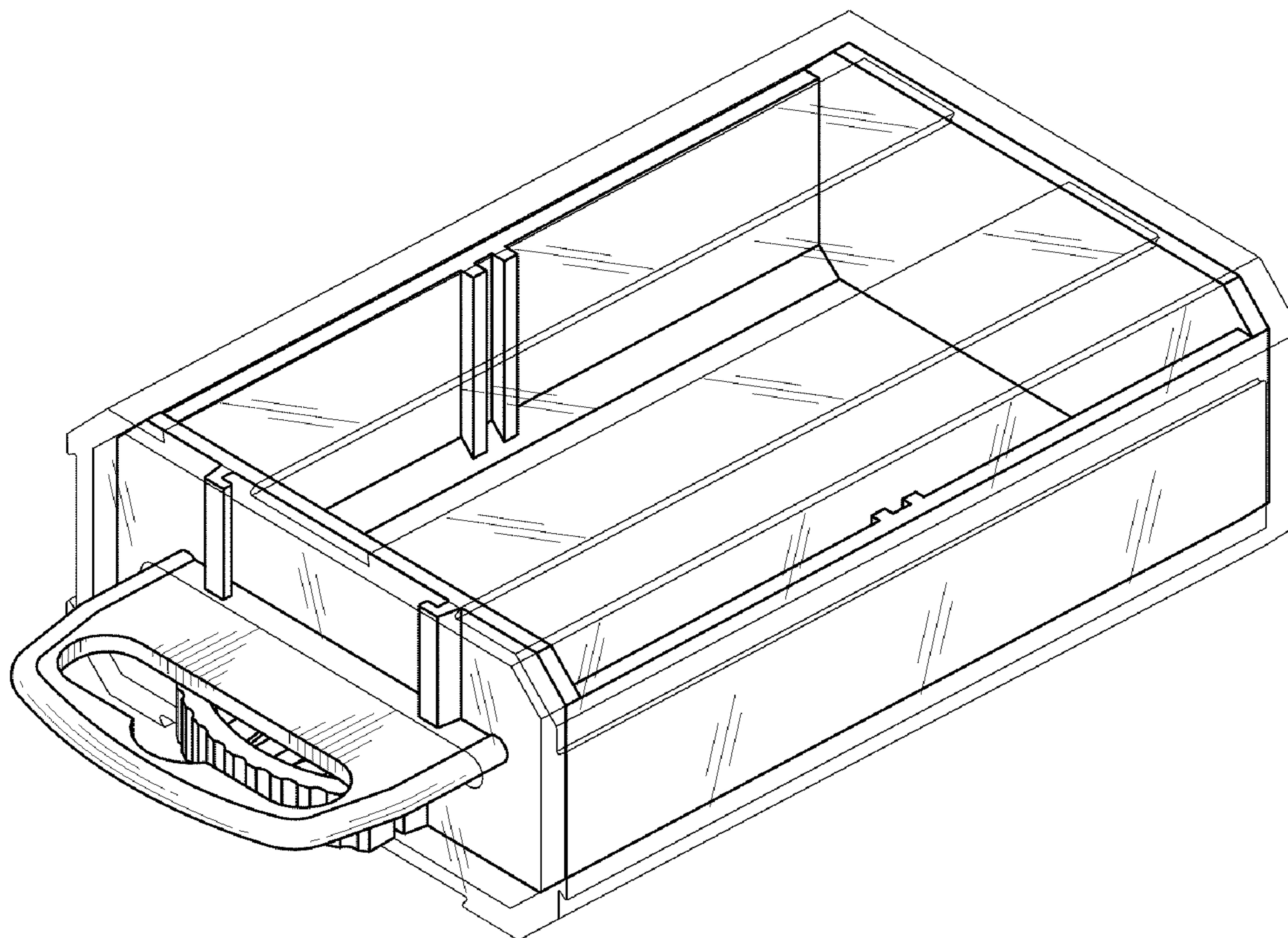
(57) **CLAIM**

The ornamental design for a tool box, as shown and described.

DESCRIPTION

FIG. 1 is a perspective view of a tool box showing my new design;
FIG. 2 is a front elevational view of FIG. 1;
FIG. 3 is a rear elevational view of FIG. 1;
FIG. 4 is a left side view of FIG. 1;
FIG. 5 is a right side view of FIG. 1;
FIG. 6 is a top plan view of FIG. 1;
FIG. 7 is a bottom plan view of FIG. 1; and,
FIG. 8 is a perspective view showing the tool box in a position of use.

1 Claim, 6 Drawing Sheets



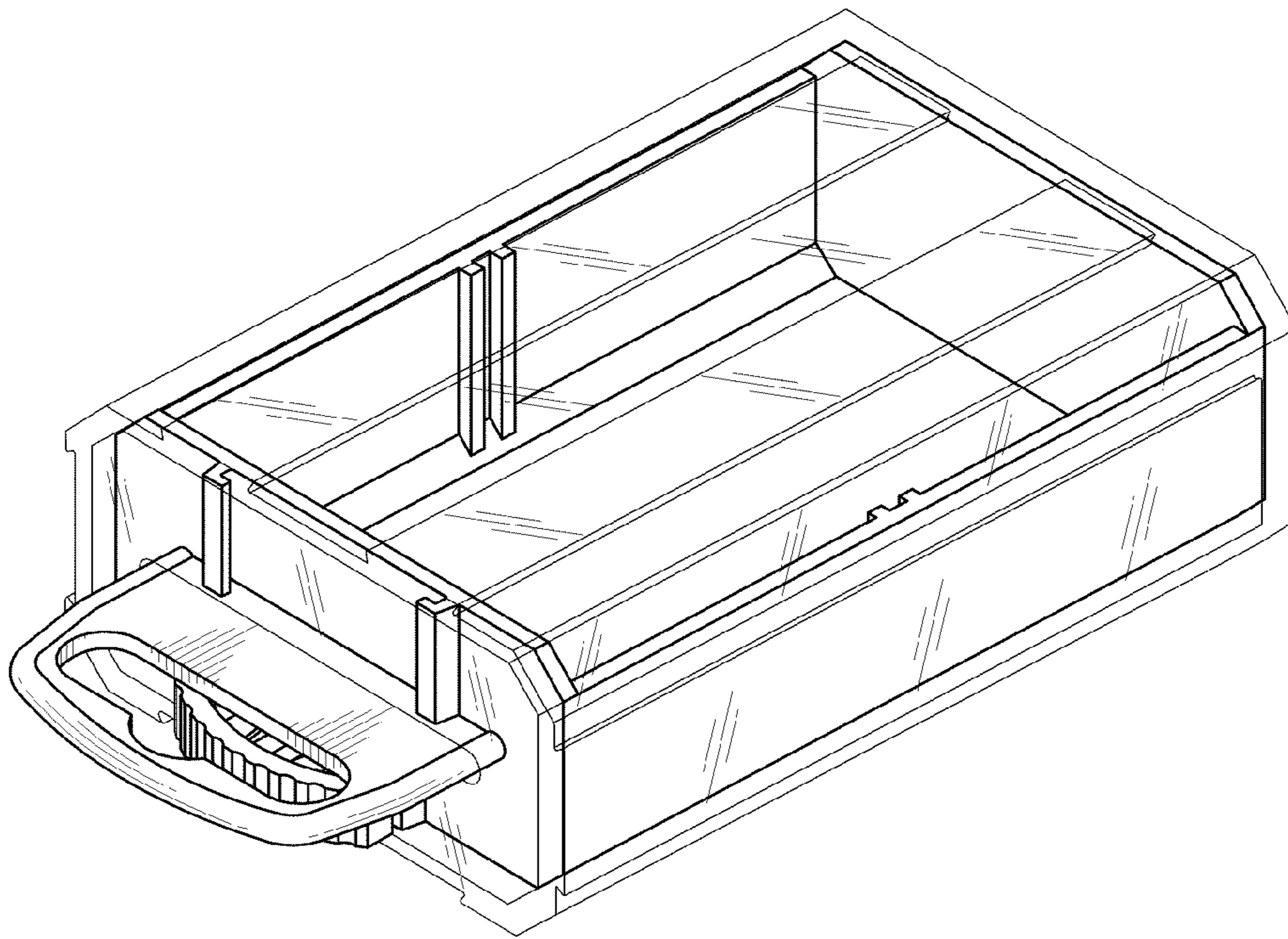


FIG. 1

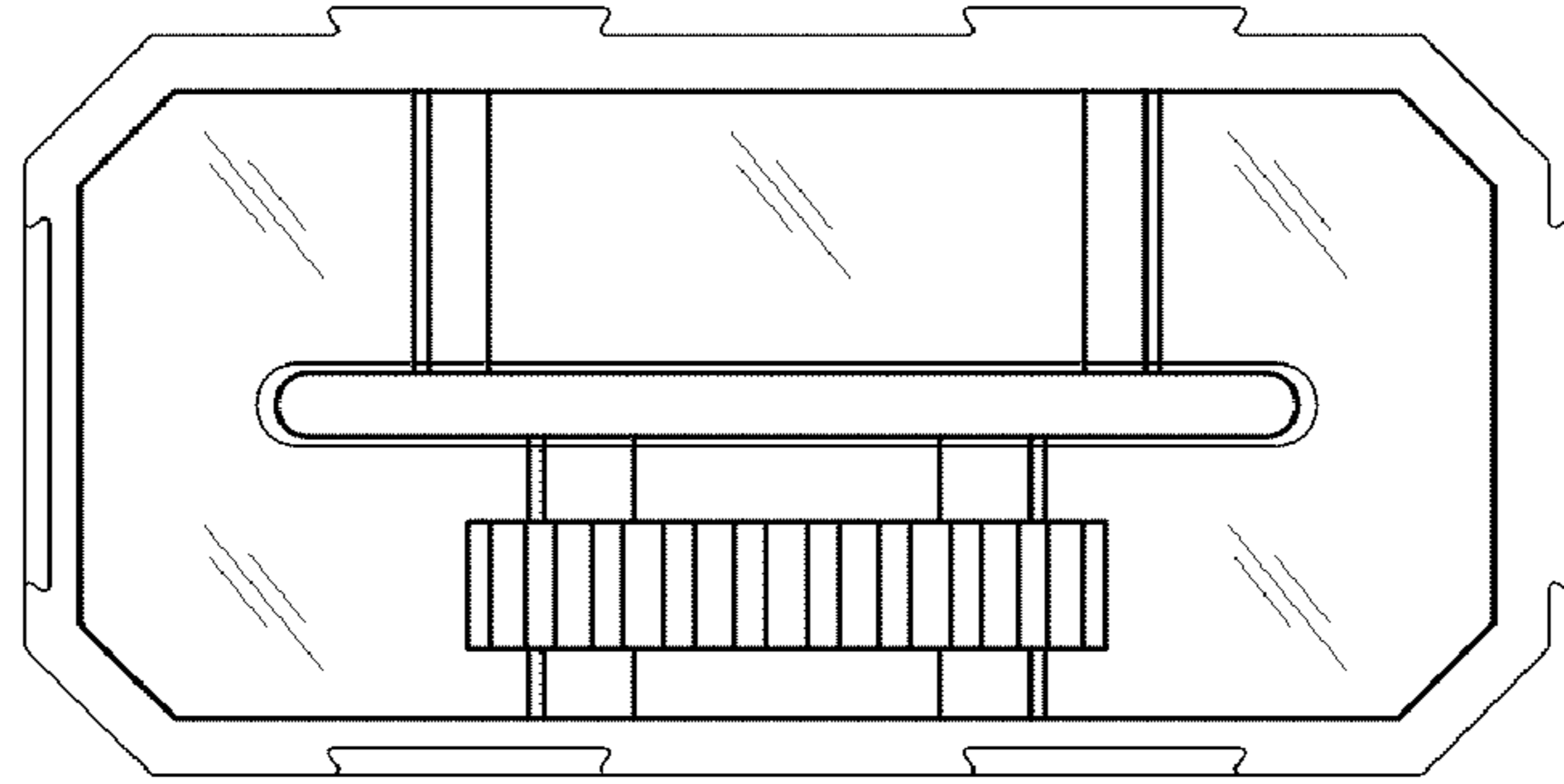


FIG. 2

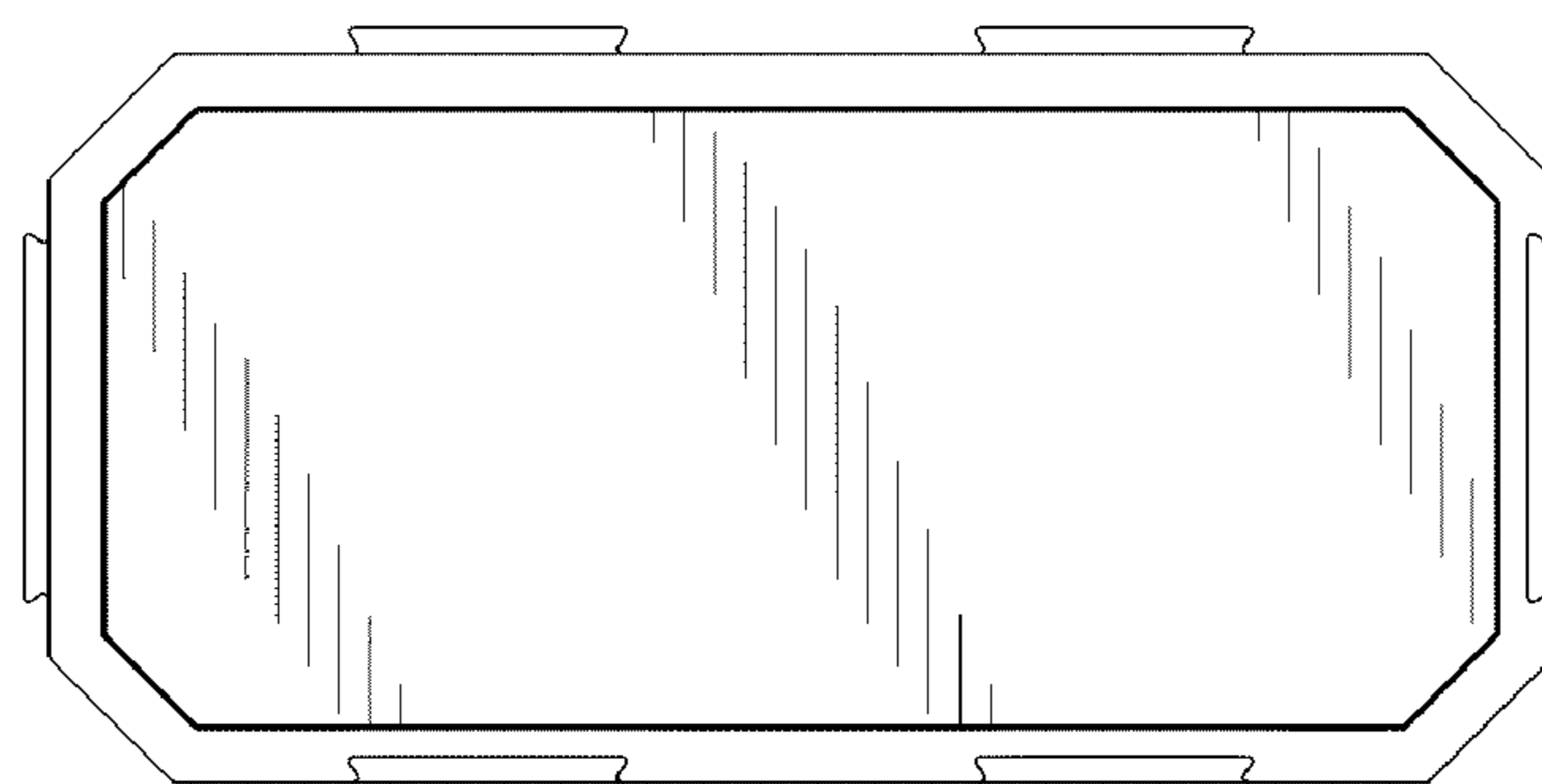


FIG. 3

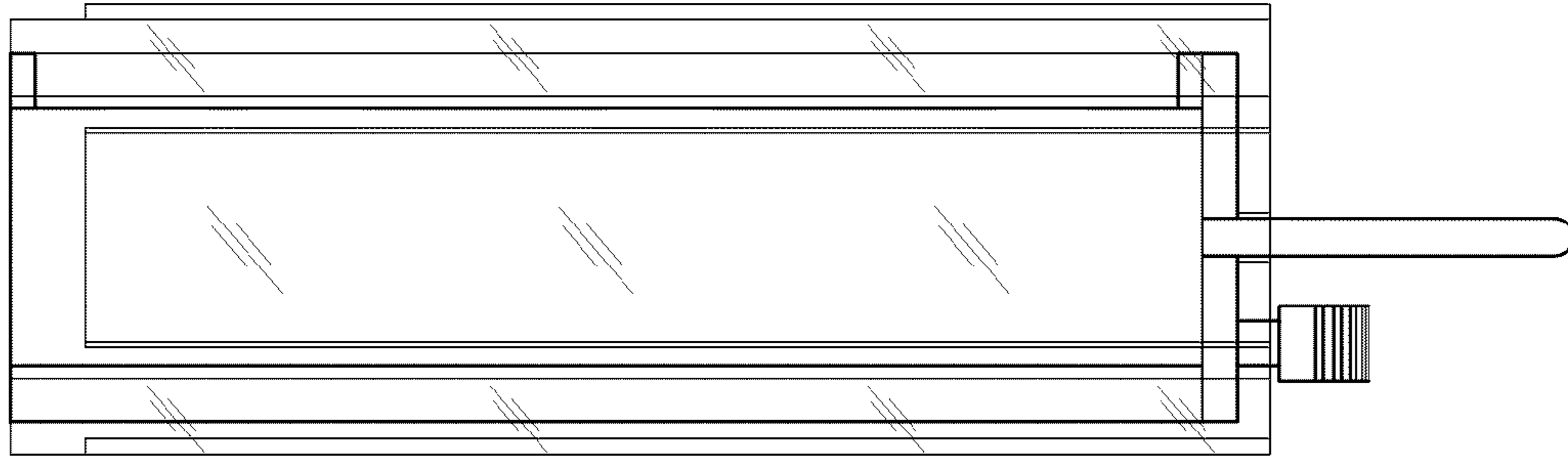


FIG. 4

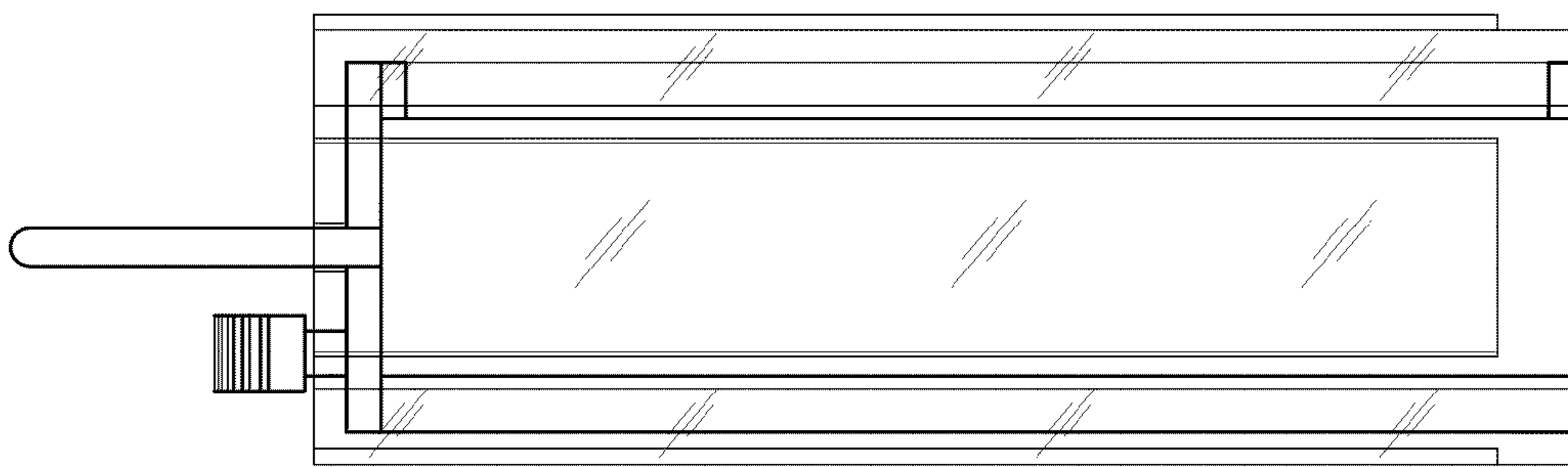


FIG. 5

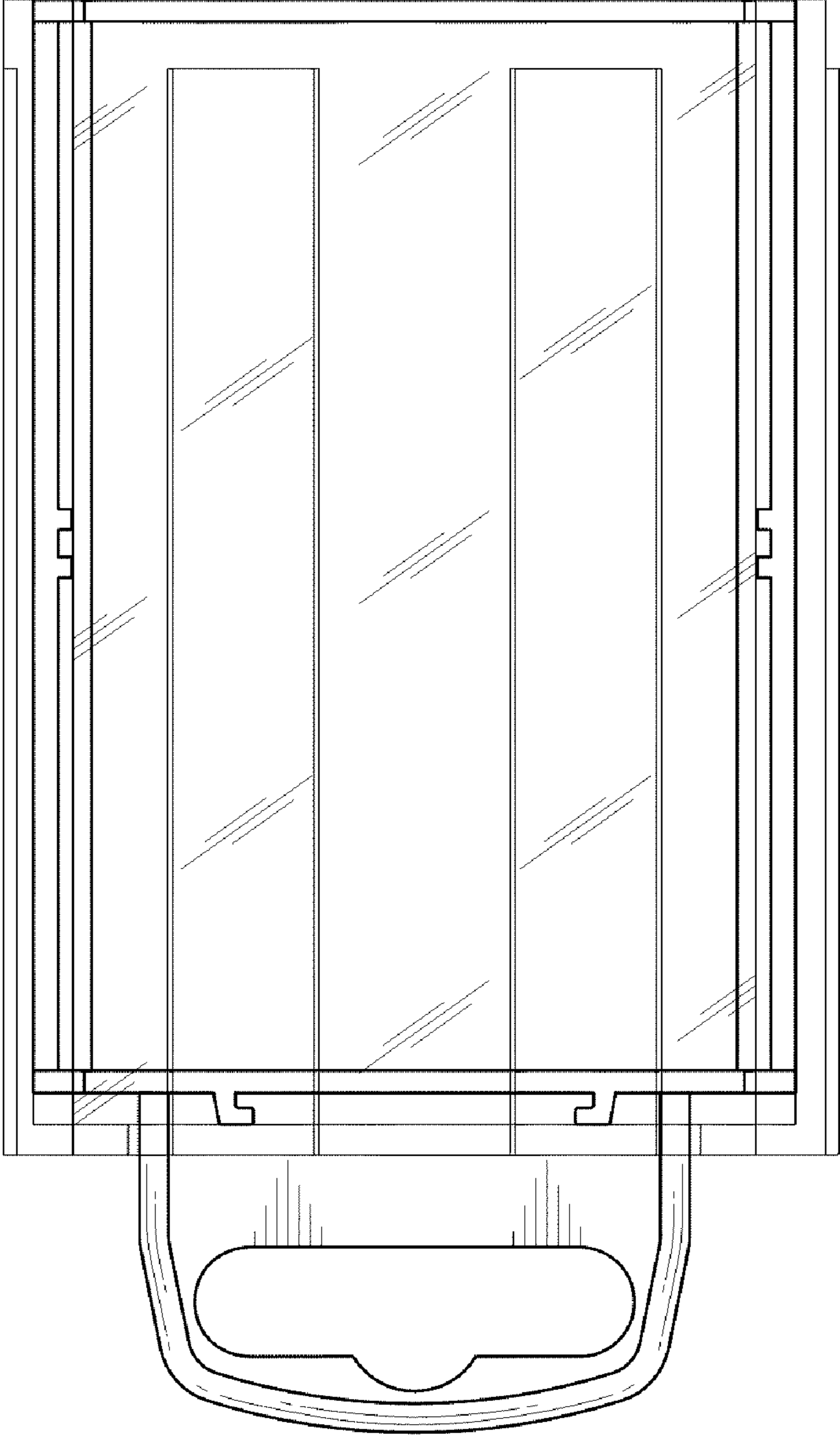


FIG. 6

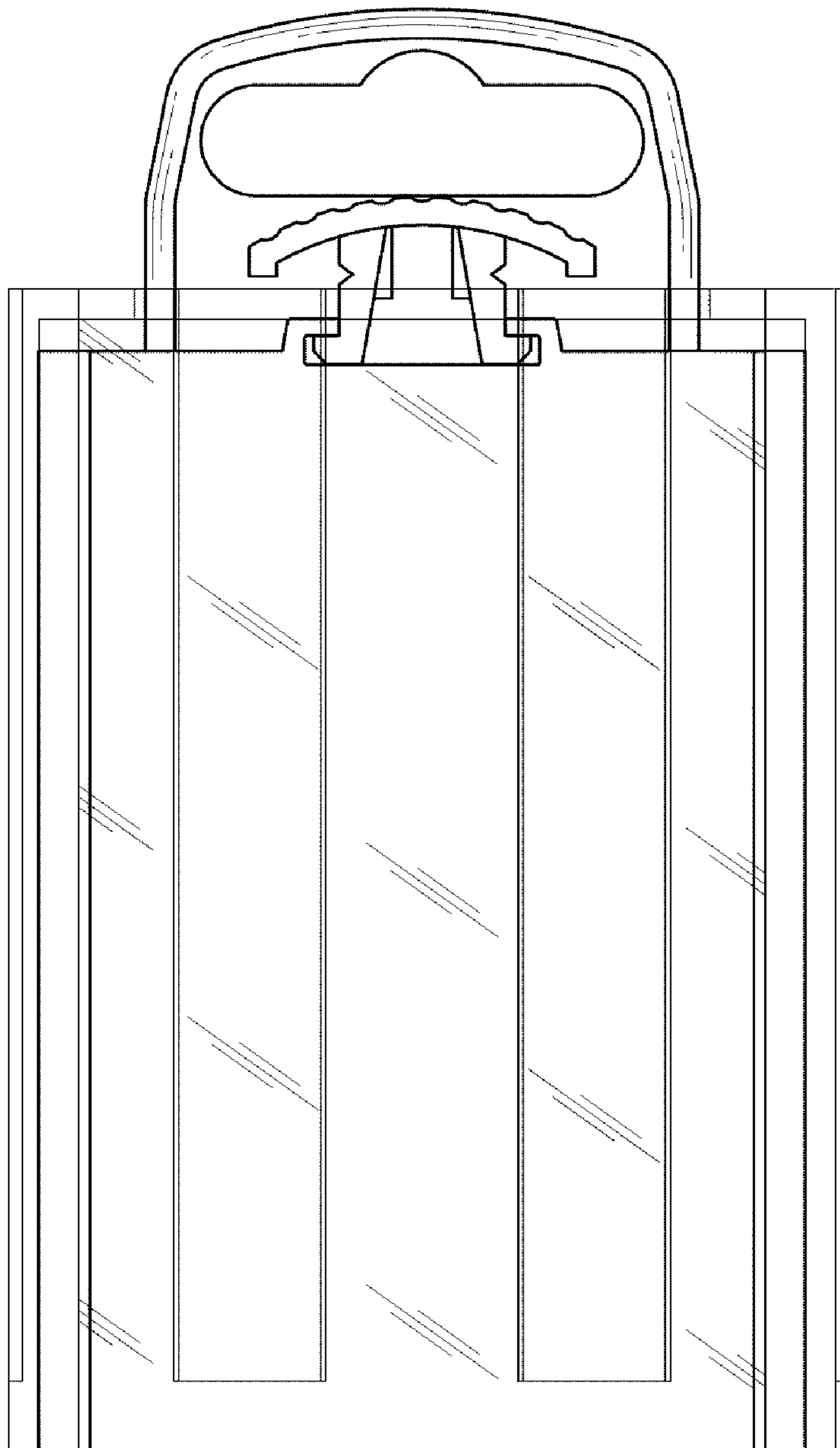


FIG. 7

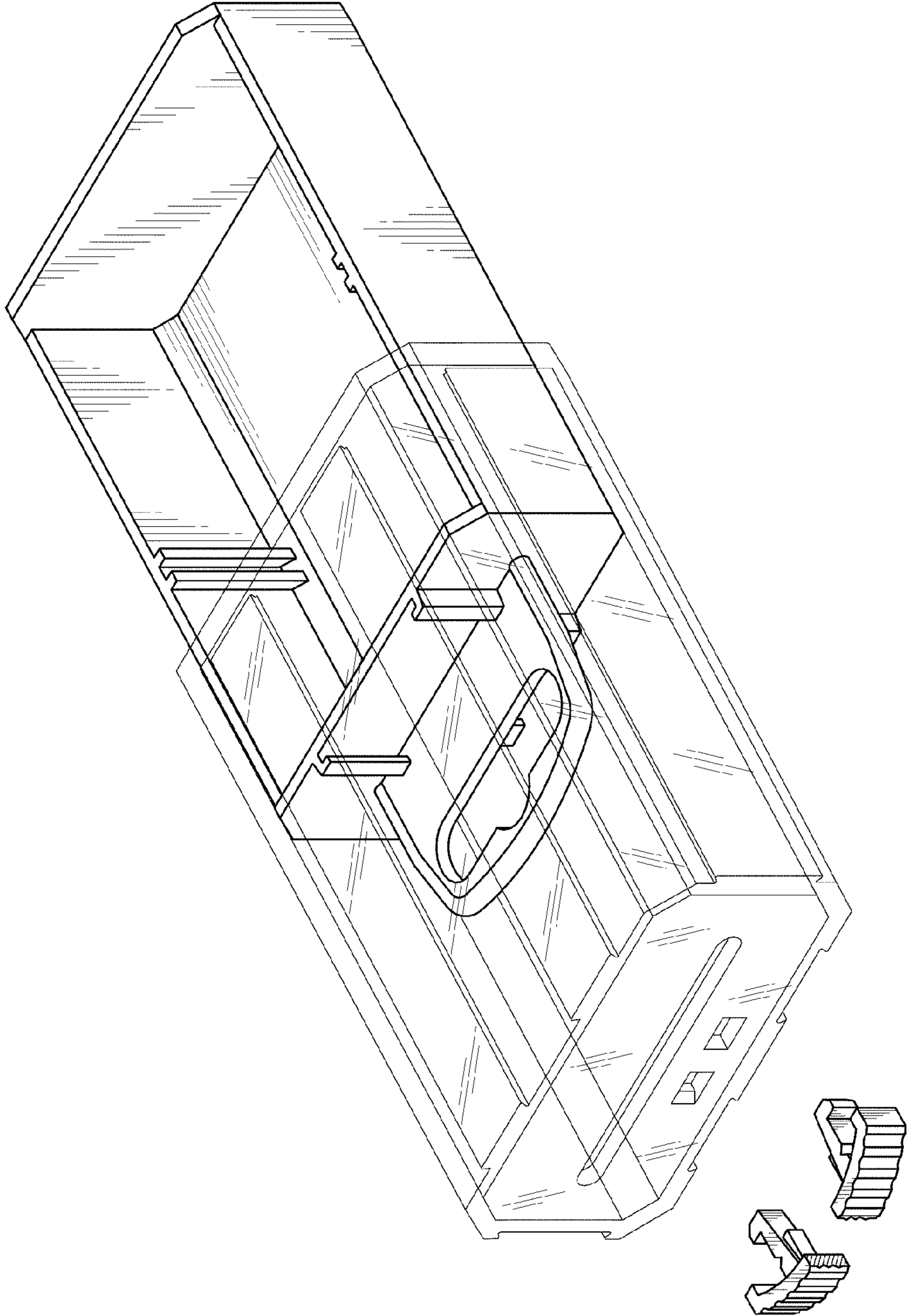


FIG. 8