



US00D648533S

(12) **United States Design Patent**  
**Sosnovsky**

(10) **Patent No.:** **US D648,533 S**

(45) **Date of Patent:** **\*\* Nov. 15, 2011**

(54) **TOOL BAG**

(75) Inventor: **David Sosnovsky**, Tel Aviv (IL)

(73) Assignee: **The Stanley Works Israel Ltd.**, Rosh Ha' Ayin (IL)

(\*\*) Term: **14 Years**

(21) Appl. No.: **29/384,464**

(22) Filed: **Jan. 31, 2011**

(51) **LOC (9) Cl.** ..... **03-01**

(52) **U.S. Cl.** ..... **D3/283; D3/289; D3/905**

(58) **Field of Classification Search** ..... D3/254,  
D3/260, 273, 276, 280, 283-291, 302, 301,  
D3/303, 905; 220/523, 524, 527; 206/349,  
206/372-379; 190/109, 111, 115, 107, 126,  
190/903

See application file for complete search history.

(56) **References Cited**

**U.S. PATENT DOCUMENTS**

D334,839 S *	4/1993	Dancyger .....	D3/303
D371,051 S *	6/1996	Melk .....	D7/607
D387,626 S *	12/1997	Melk .....	D7/605
D442,748 S *	5/2001	Farrugia .....	D3/276
D446,937 S *	8/2001	Mogil .....	D3/301
D447,340 S *	9/2001	Snider .....	D3/276
D502,599 S *	3/2005	Cabana et al. ....	D3/292
D526,484 S *	8/2006	Flint .....	D3/283

D602,688 S *	10/2009	Smith .....	D3/233
7,604,103 B2 *	10/2009	Hamlin .....	190/111
D603,164 S *	11/2009	Meier et al. ....	D3/289
D628,382 S *	12/2010	Niehaus et al. ....	D3/276
7,950,509 B2 *	5/2011	Redzisz .....	190/111
D639,557 S *	6/2011	Damda .....	D3/287
2004/0055679 A1 *	3/2004	Gordon et al. ....	206/373
2005/0189388 A1 *	9/2005	Godshaw et al. ....	206/372
2007/0056868 A1 *	3/2007	Godshaw et al. ....	206/373
2008/0035509 A1 *	2/2008	Redzisz .....	206/373
2009/0008281 A1 *	1/2009	Williams et al. ....	206/373

\* cited by examiner

*Primary Examiner* — Jennifer Rivard

(74) *Attorney, Agent, or Firm* — Pillsbury Winthrop Shaw Pittman LLP

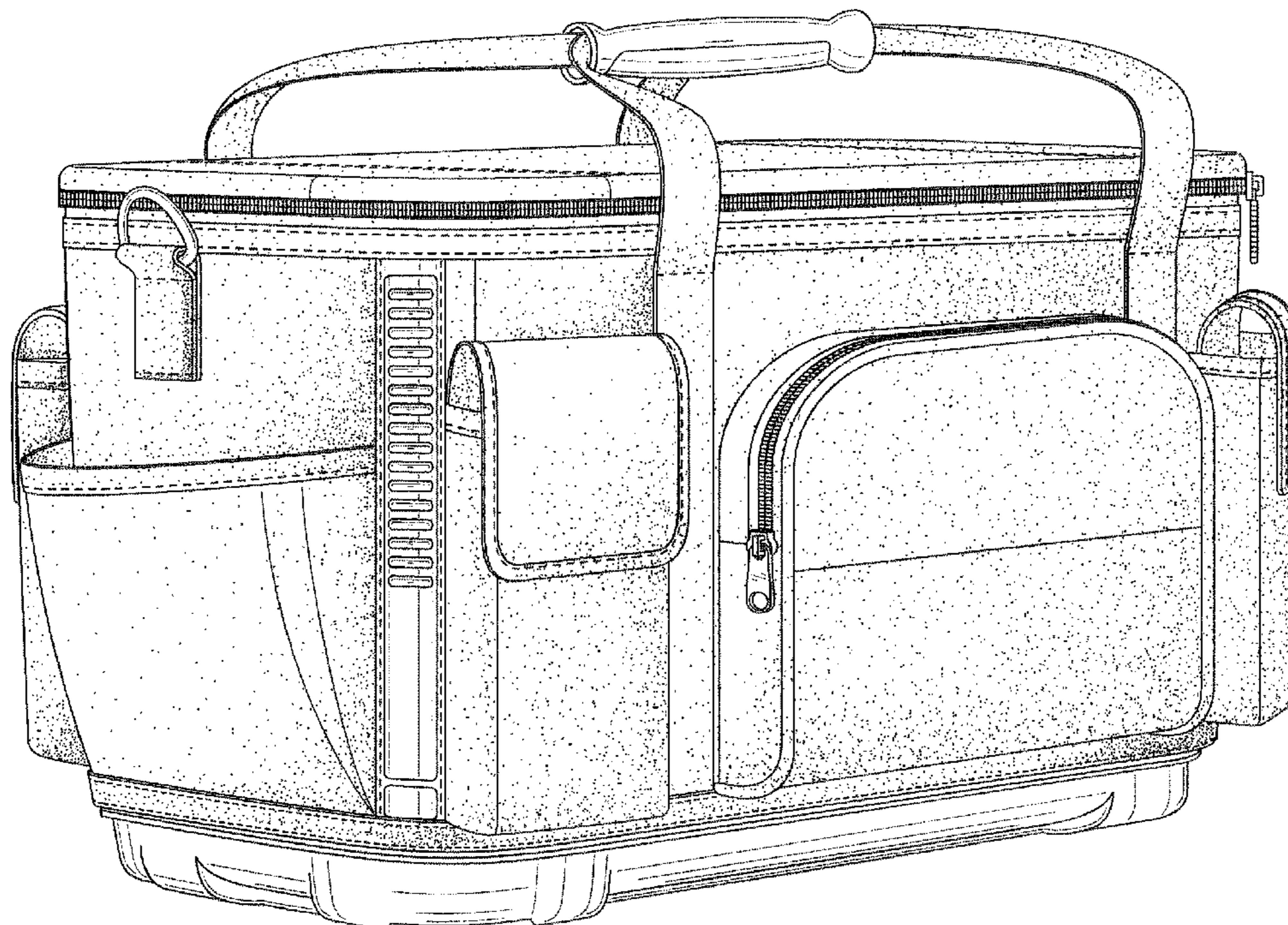
(57) **CLAIM**

The ornamental design for a tool bag, as shown and described.

**DESCRIPTION**

FIG. 1 is a front isometric view according to my design; FIG. 2 is a front elevation view of the design of FIG. 1; FIG. 3 is a rear elevation view of the design of FIG. 1; FIG. 4 is a right elevation view of the design of FIG. 1; FIG. 5 is a left elevation view of the design of FIG. 1; FIG. 6 is a top plan view of the design of FIG. 1; FIG. 7 is a bottom plan view of the design of FIG. 1; and, FIG. 8 is a rear isometric view according to my design. The dashed lines illustrate claimed stitching.

**1 Claim, 8 Drawing Sheets**



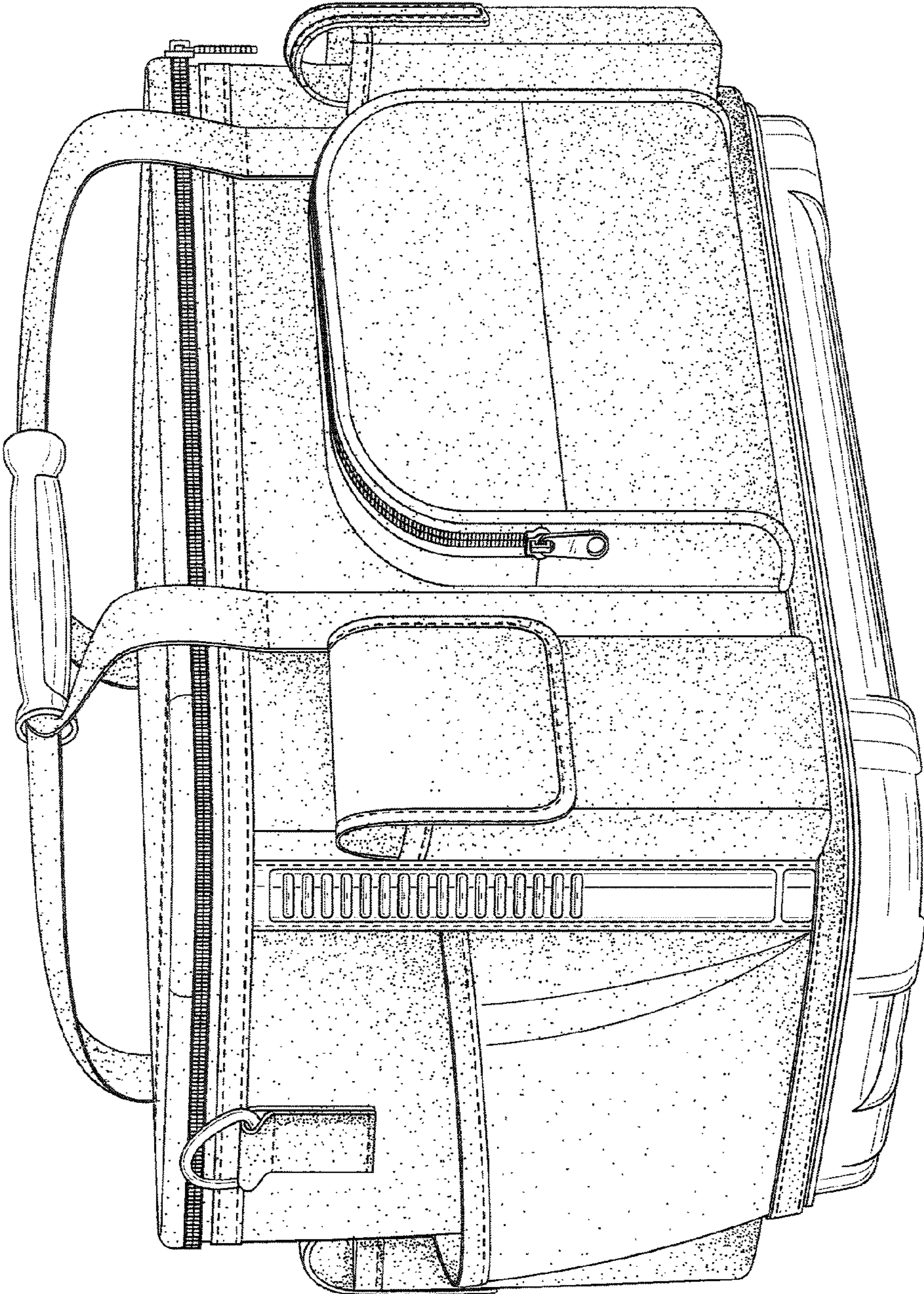


FIG. 1

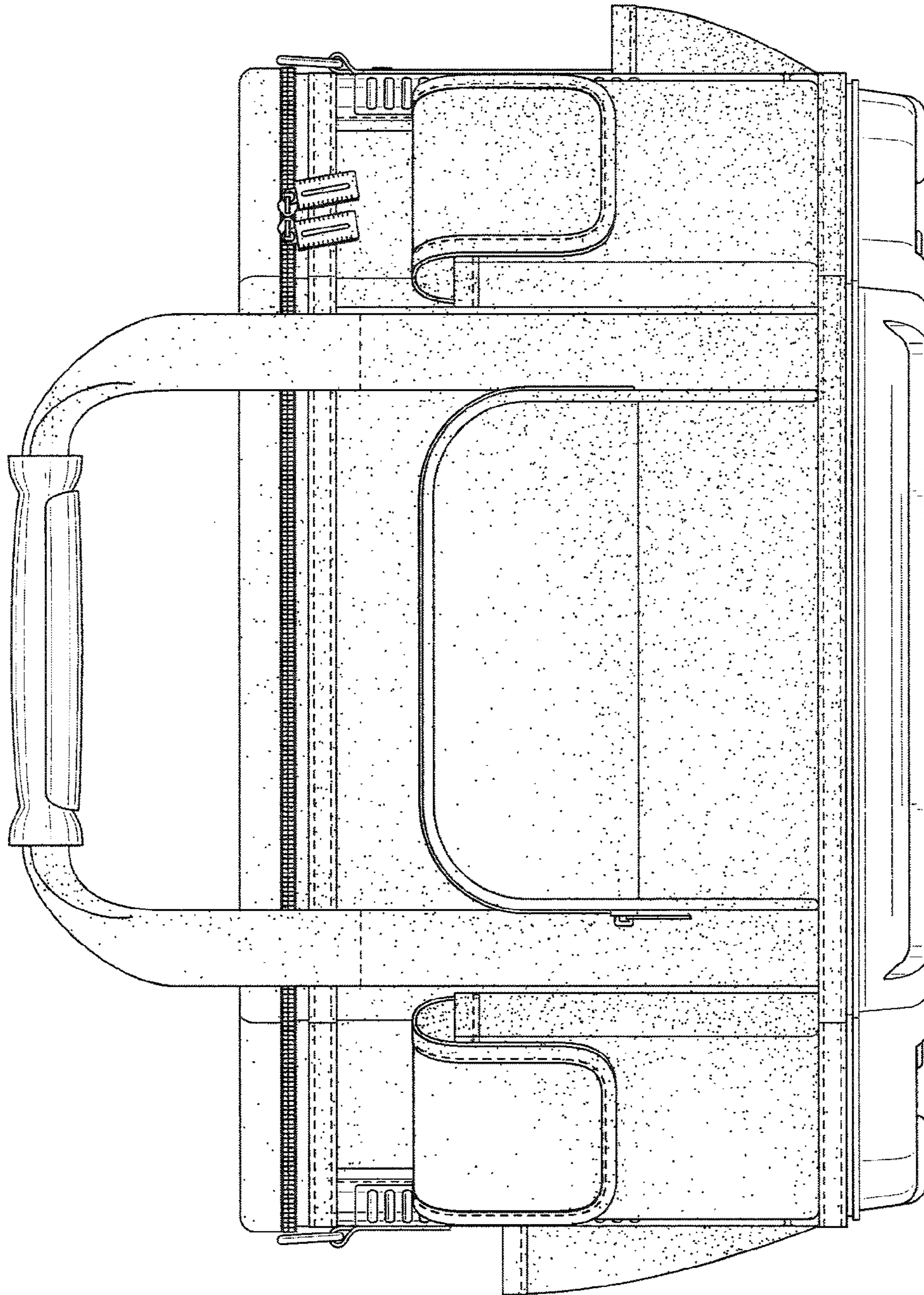


FIG. 2

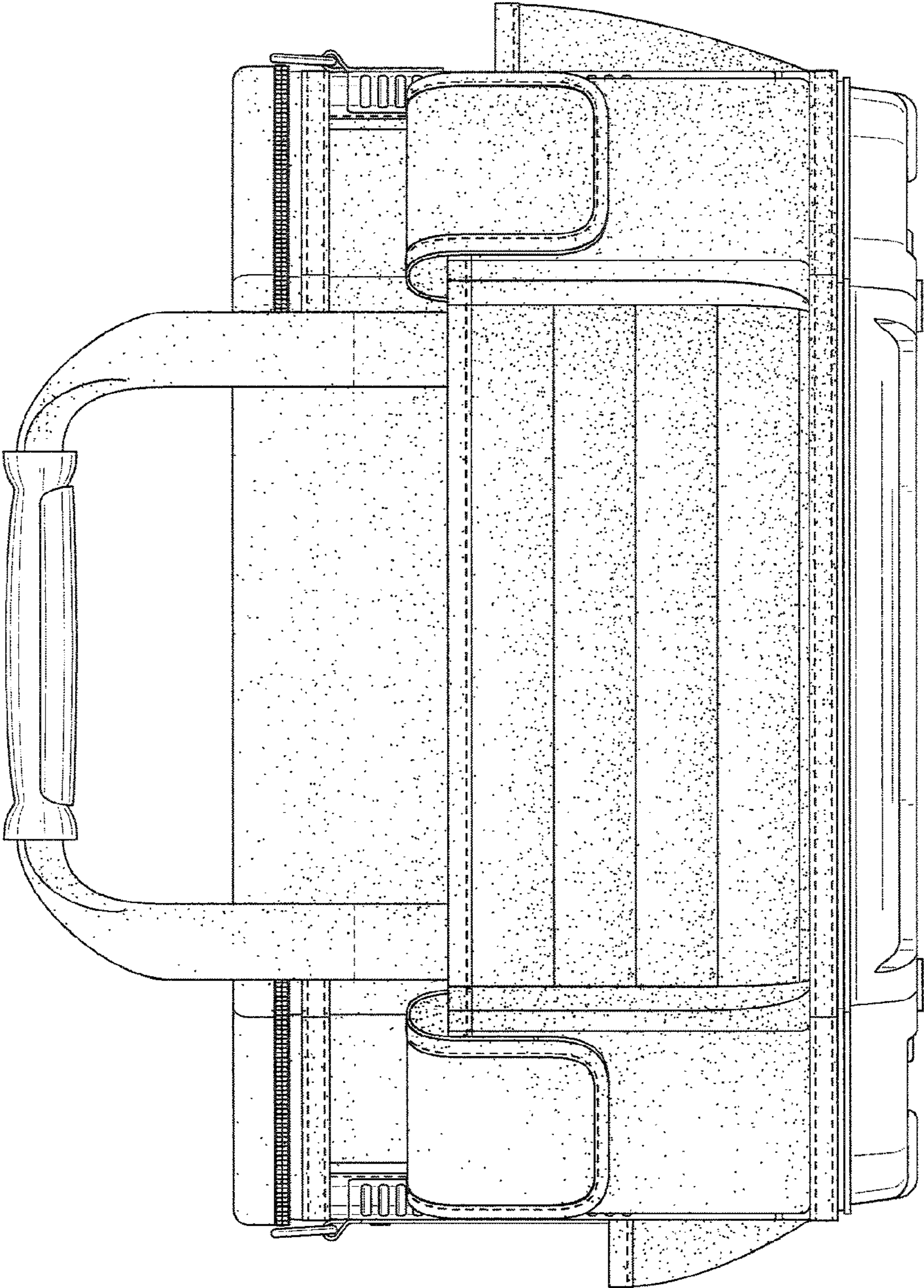


FIG. 3

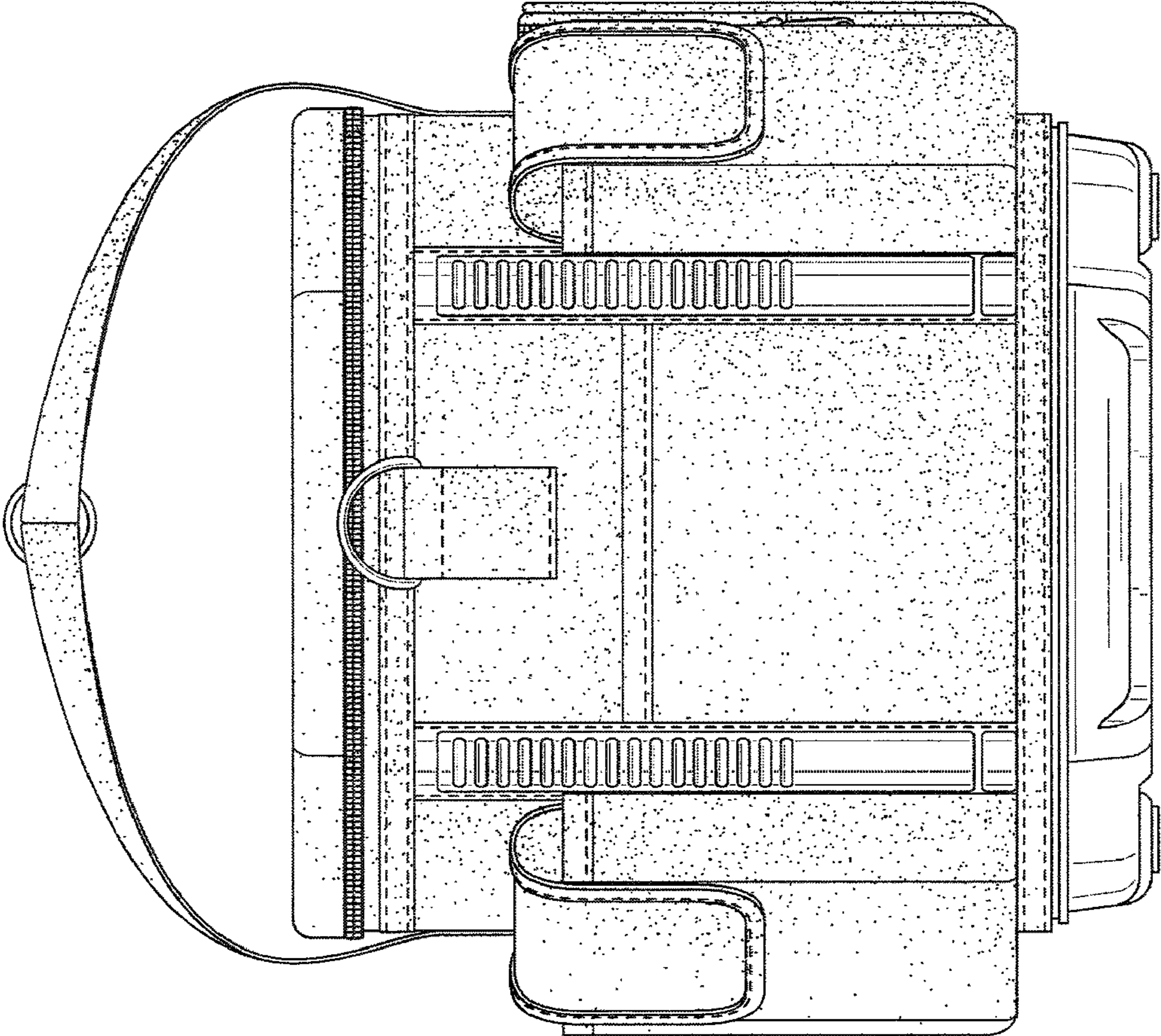


FIG. 4

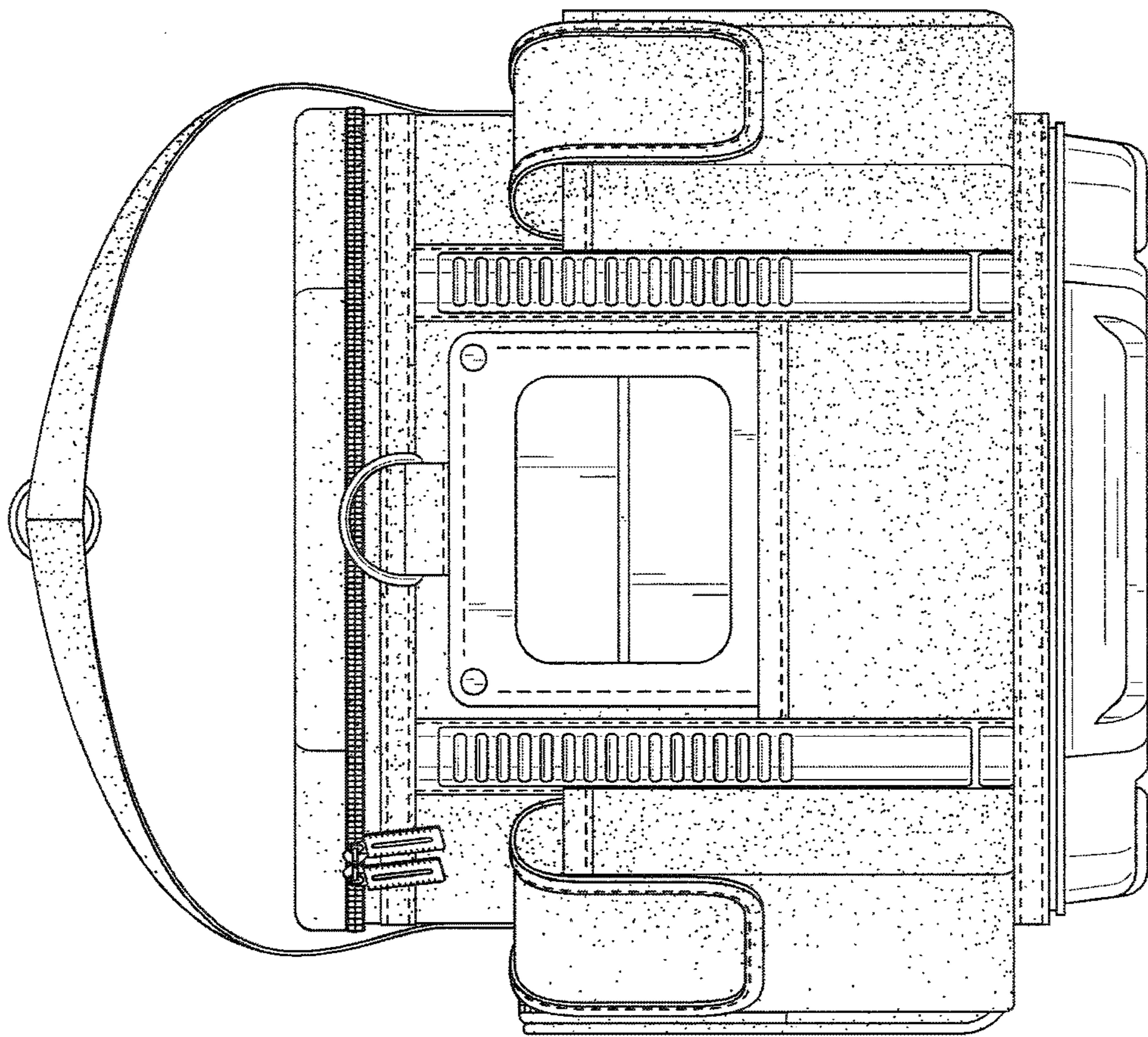


FIG. 5

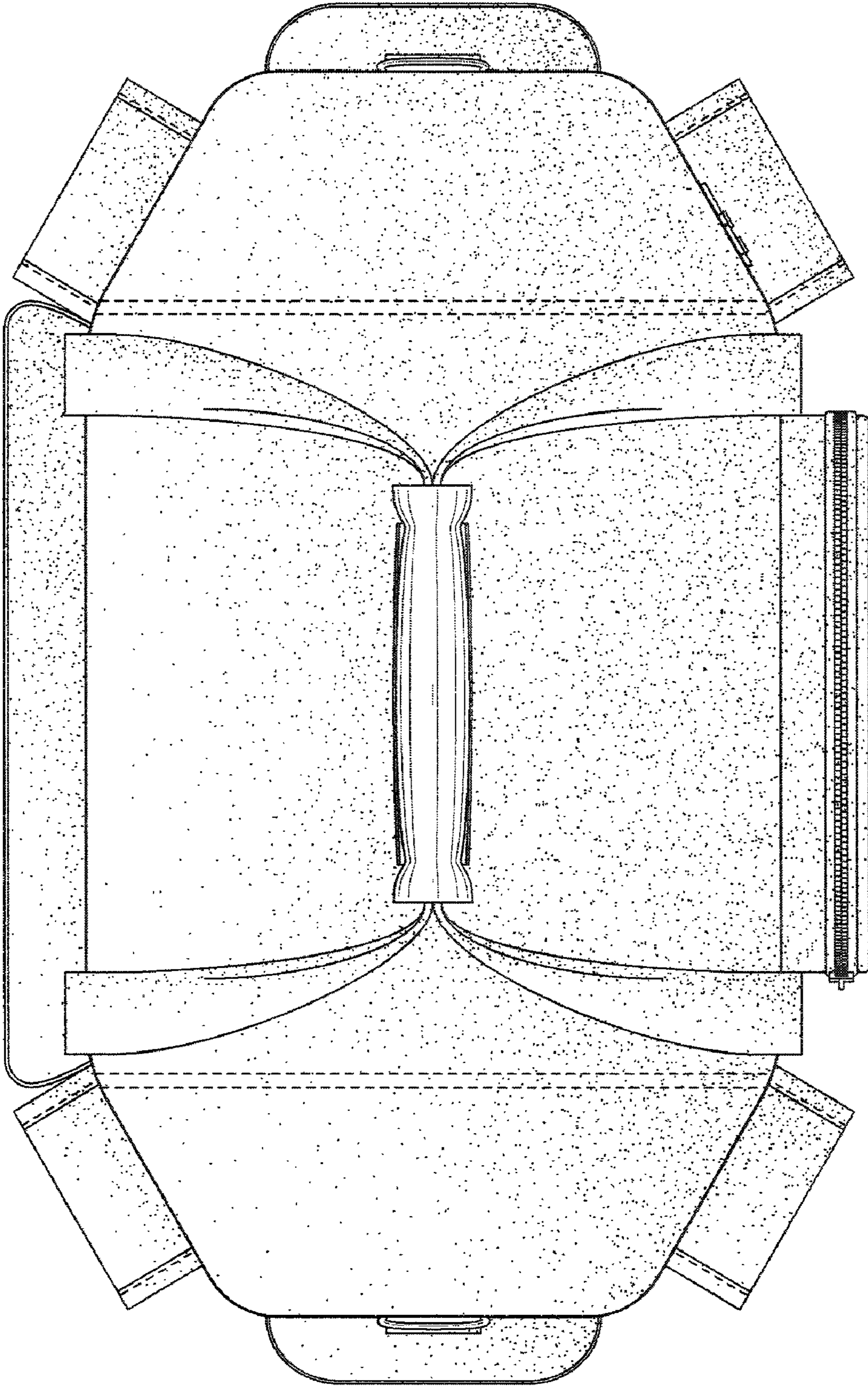


FIG. 6

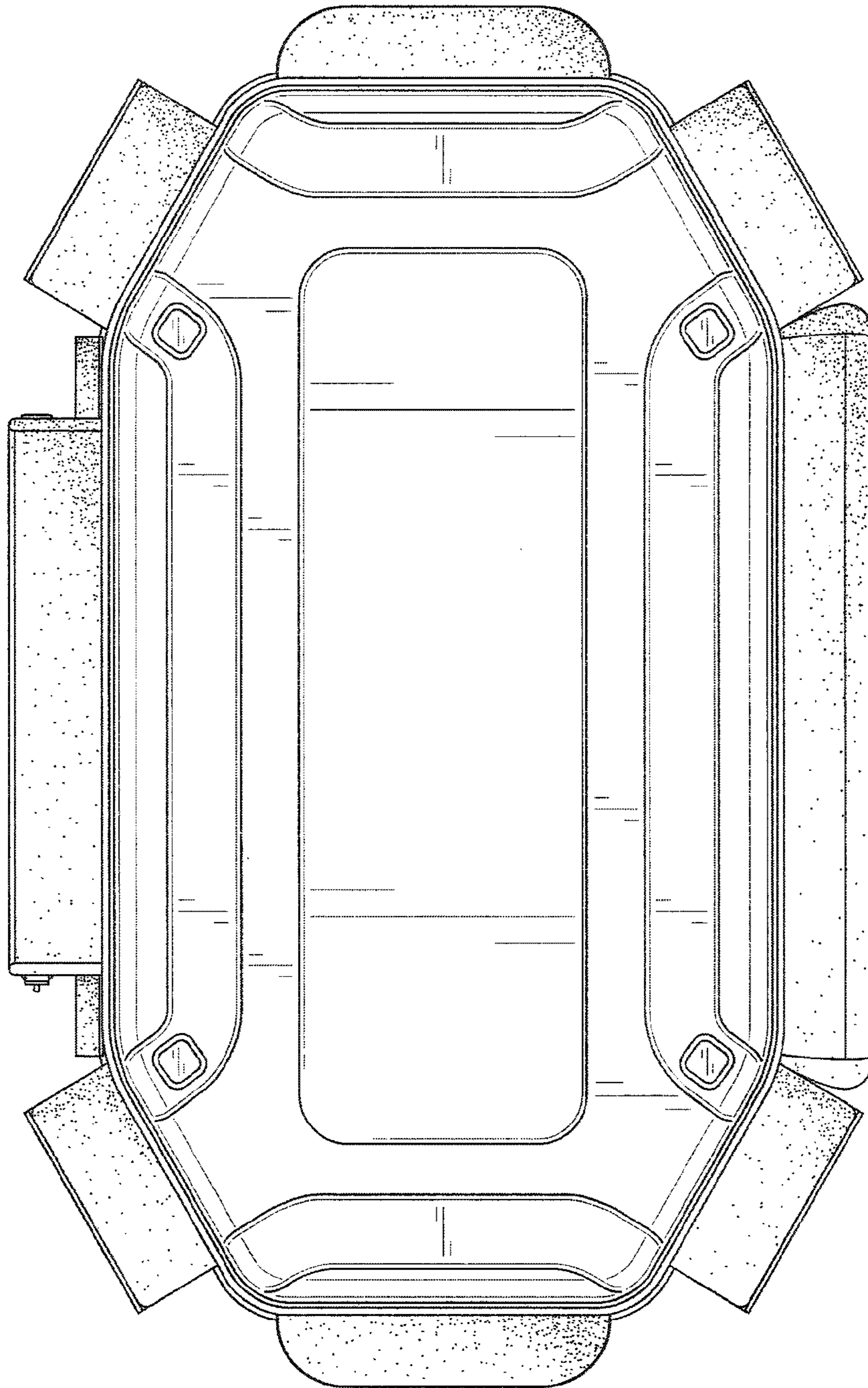


FIG. 7



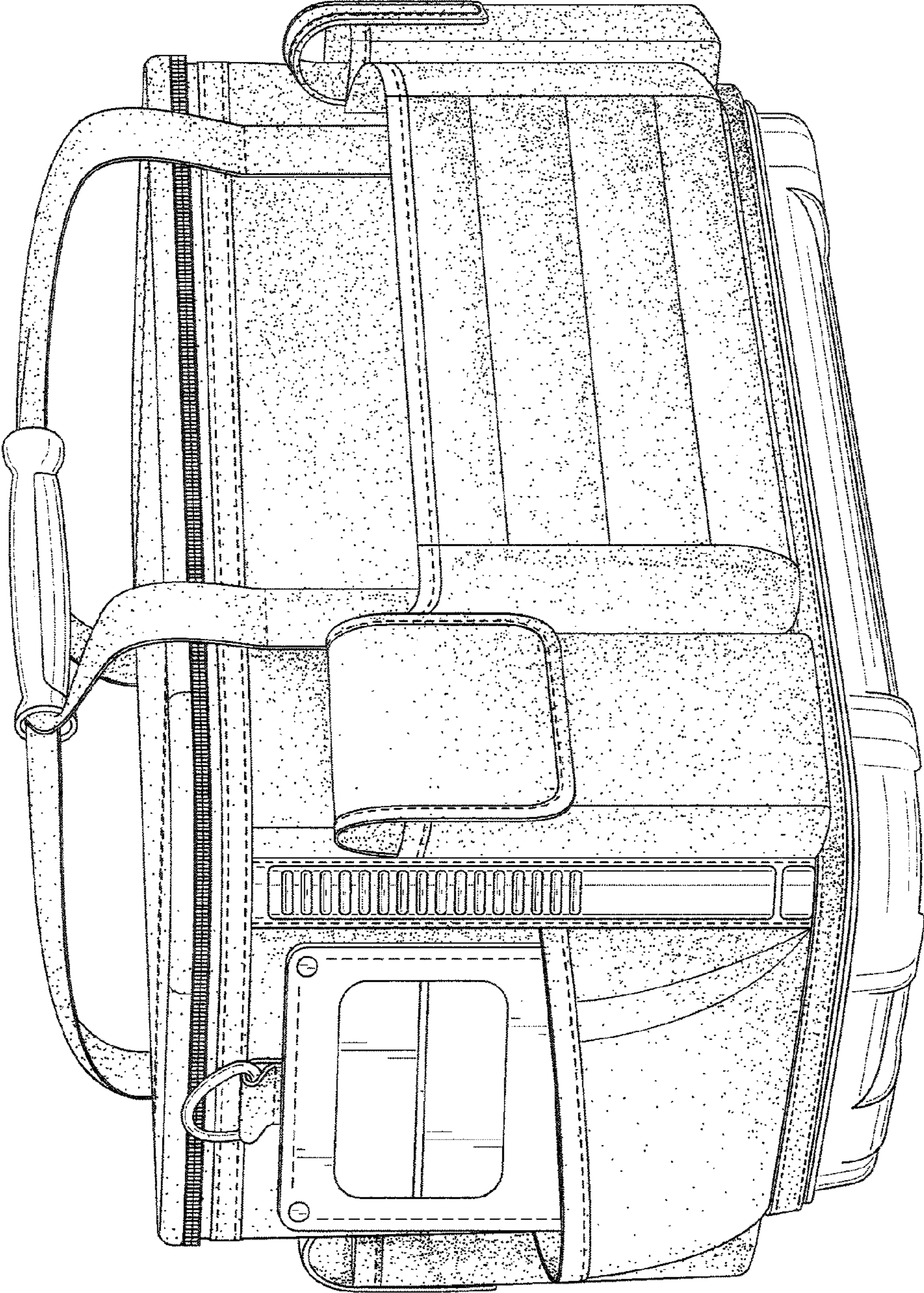


FIG. 8