



US00D648532S

(12) **United States Design Patent**
Sosnovsky

(10) **Patent No.:** **US D648,532 S**

(45) **Date of Patent:** **** Nov. 15, 2011**

(54) **CLOSED TOOL BAG**

(75) Inventor: **David Sosnovsky**, Tel Aviv (IL)

(73) Assignee: **The Stanley Works Israel Ltd.**, Rosh Ha'Ayin (IL)

(**) Term: **14 Years**

(21) Appl. No.: **29/368,053**

(22) Filed: **Aug. 17, 2010**

(51) **LOC (9) Cl.** **03-01**

(52) **U.S. Cl.** **D3/283; D3/289; D3/905; D3/302**

(58) **Field of Classification Search** **D3/254, D3/260, 273, 276, 280, 283-291, 302, 301, D3/303, 905; 220/523, 524, 527; 206/349, 206/372-379; 190/109, 111, 115, 107, 126, 190/903; D7/605**

See application file for complete search history.

(56) **References Cited**

U.S. PATENT DOCUMENTS

D351,319 S * 10/1994 Long et al. D7/605
D423,779 S * 5/2000 Goatcher D3/283
6,173,839 B1 * 1/2001 Dieter et al. 206/542

D446,937 S * 8/2001 Mogil D3/301
D452,075 S * 12/2001 Mogil D3/301
D486,038 S * 2/2004 Lanman et al. D7/607
D536,580 S * 2/2007 Krieger et al. D7/605
D579,658 S * 11/2008 Weng et al. D3/294
D580,171 S * 11/2008 Weng et al. D3/294
D612,605 S * 3/2010 Turvey et al. D3/289
D614,867 S * 5/2010 Johnson D3/290

* cited by examiner

Primary Examiner — Jennifer Rivard

(74) *Attorney, Agent, or Firm* — Pillsbury Winthrop Shaw Pittman LLP

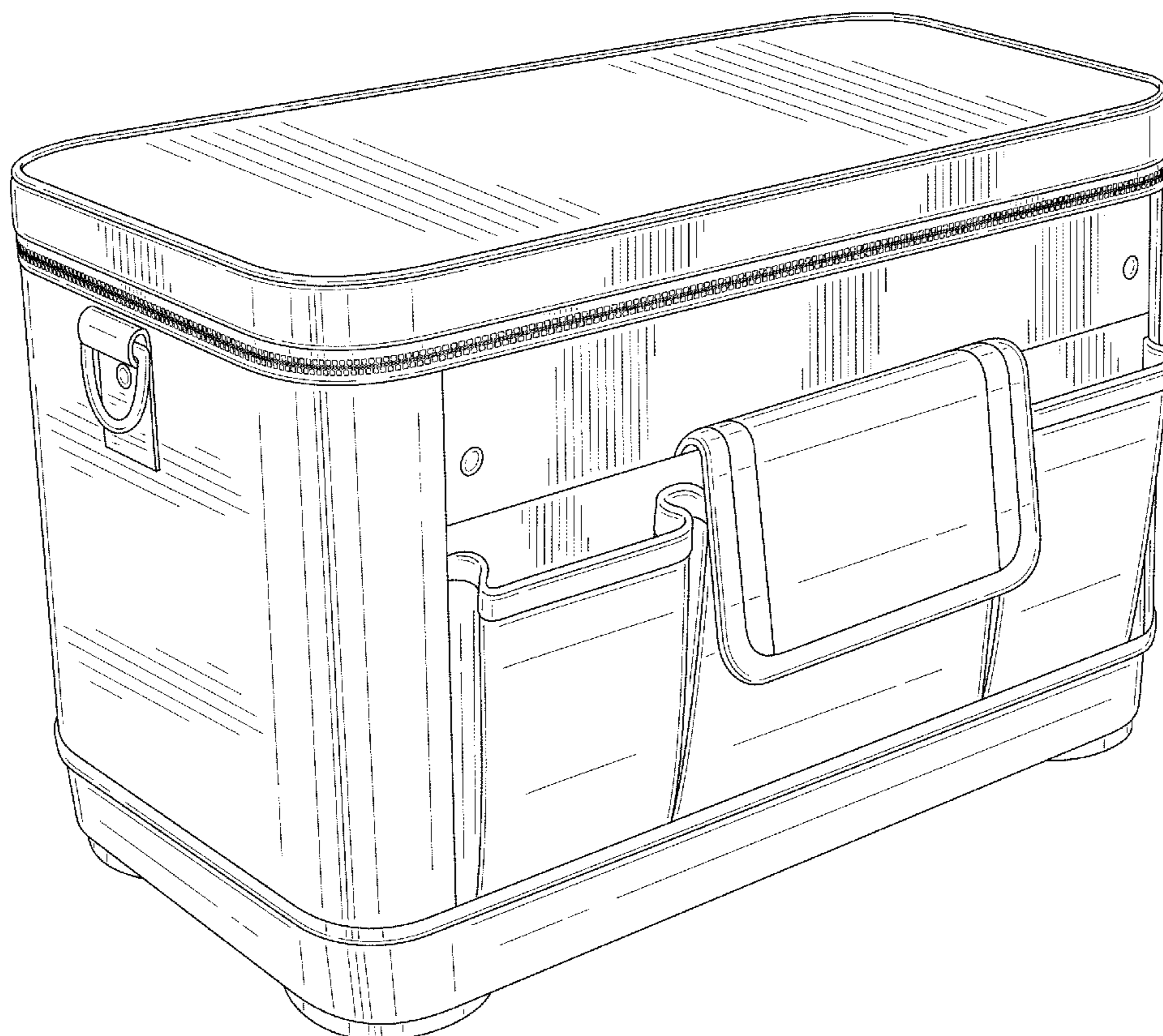
(57) **CLAIM**

The ornamental design for a closed tool bag, as shown and described.

DESCRIPTION

FIG. 1 is an isometric view according to my design; FIG. 2 is a front elevation view of the design of FIG. 1; FIG. 3 is a rear elevation view of the design of FIG. 1; FIG. 4 is a right elevation view of the design of FIG. 1; FIG. 5 is a left elevation view of the design of FIG. 1; FIG. 6 is a top plan view of the design of FIG. 1; and, FIG. 7 is a bottom plan view of the design of FIG. 1.

1 Claim, 7 Drawing Sheets



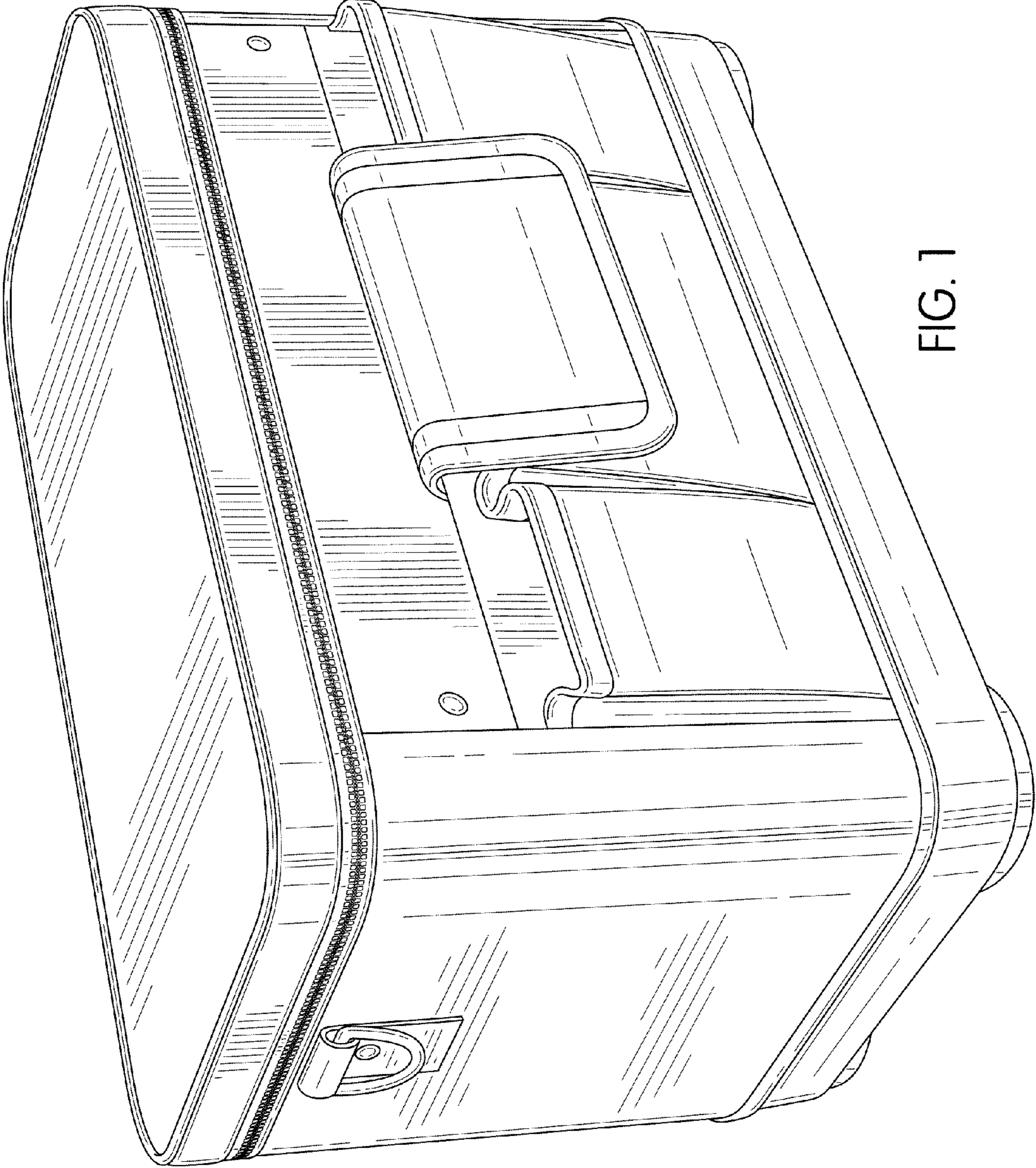


FIG. 1

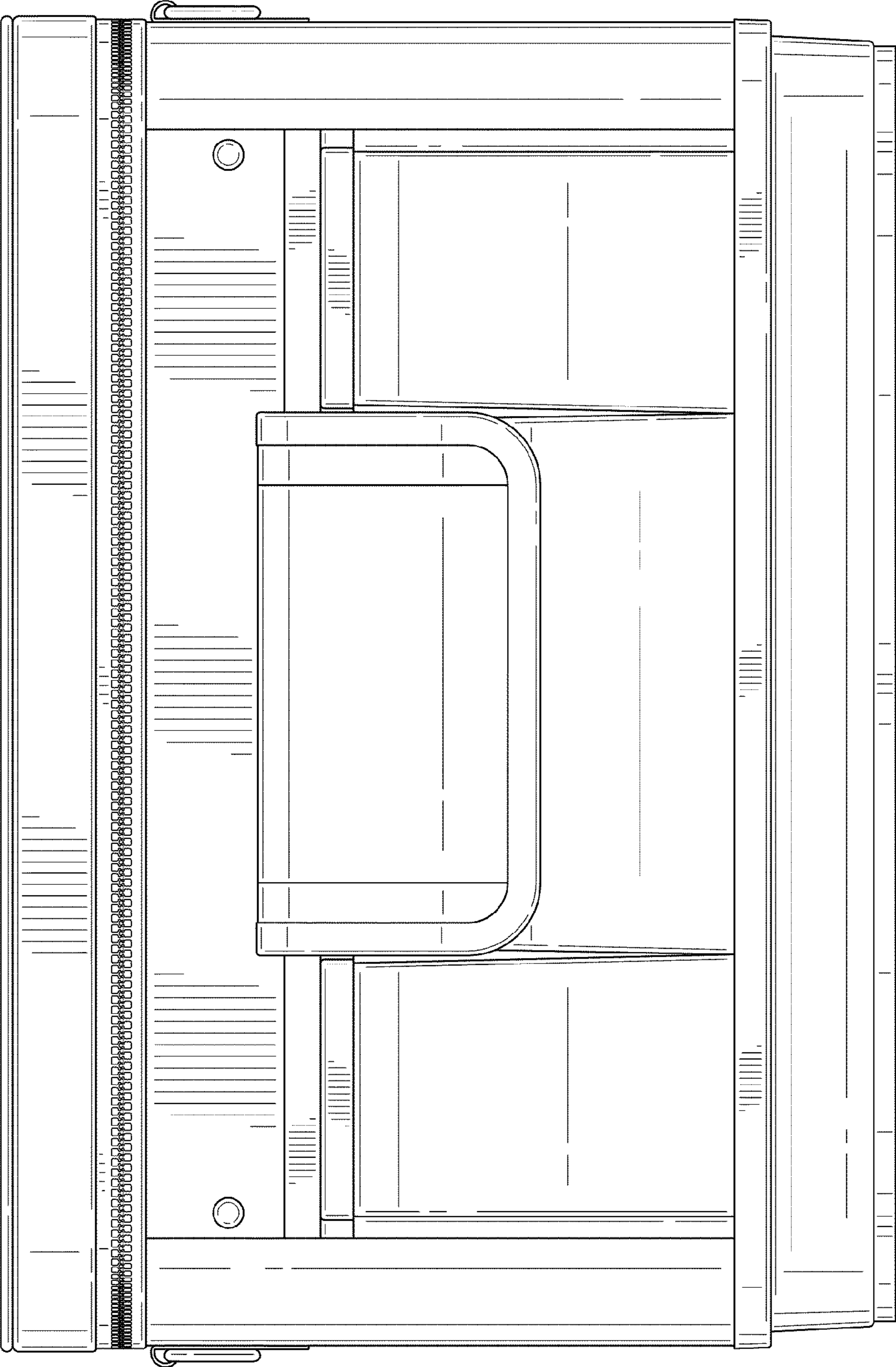


FIG. 2

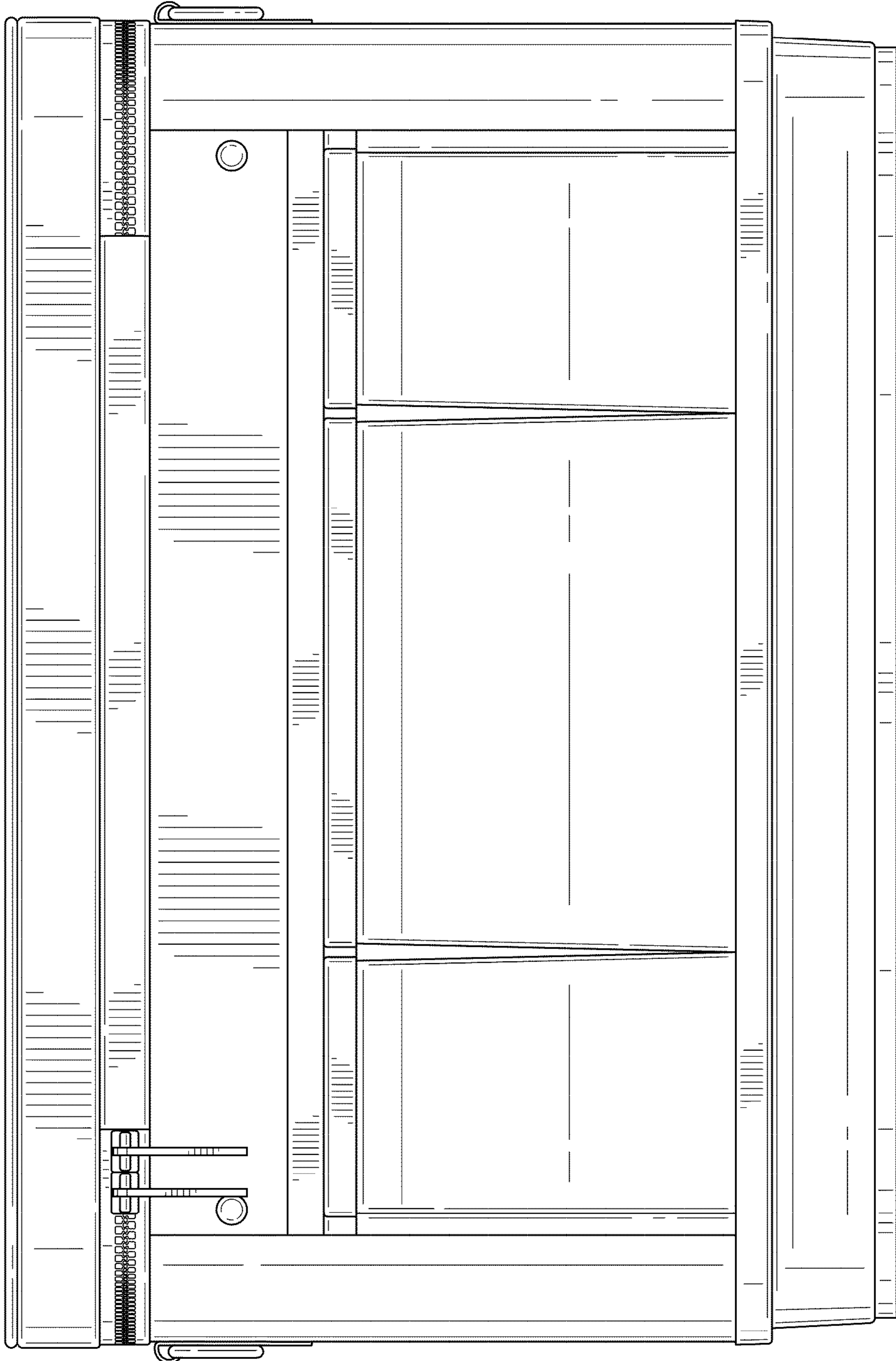


FIG. 3

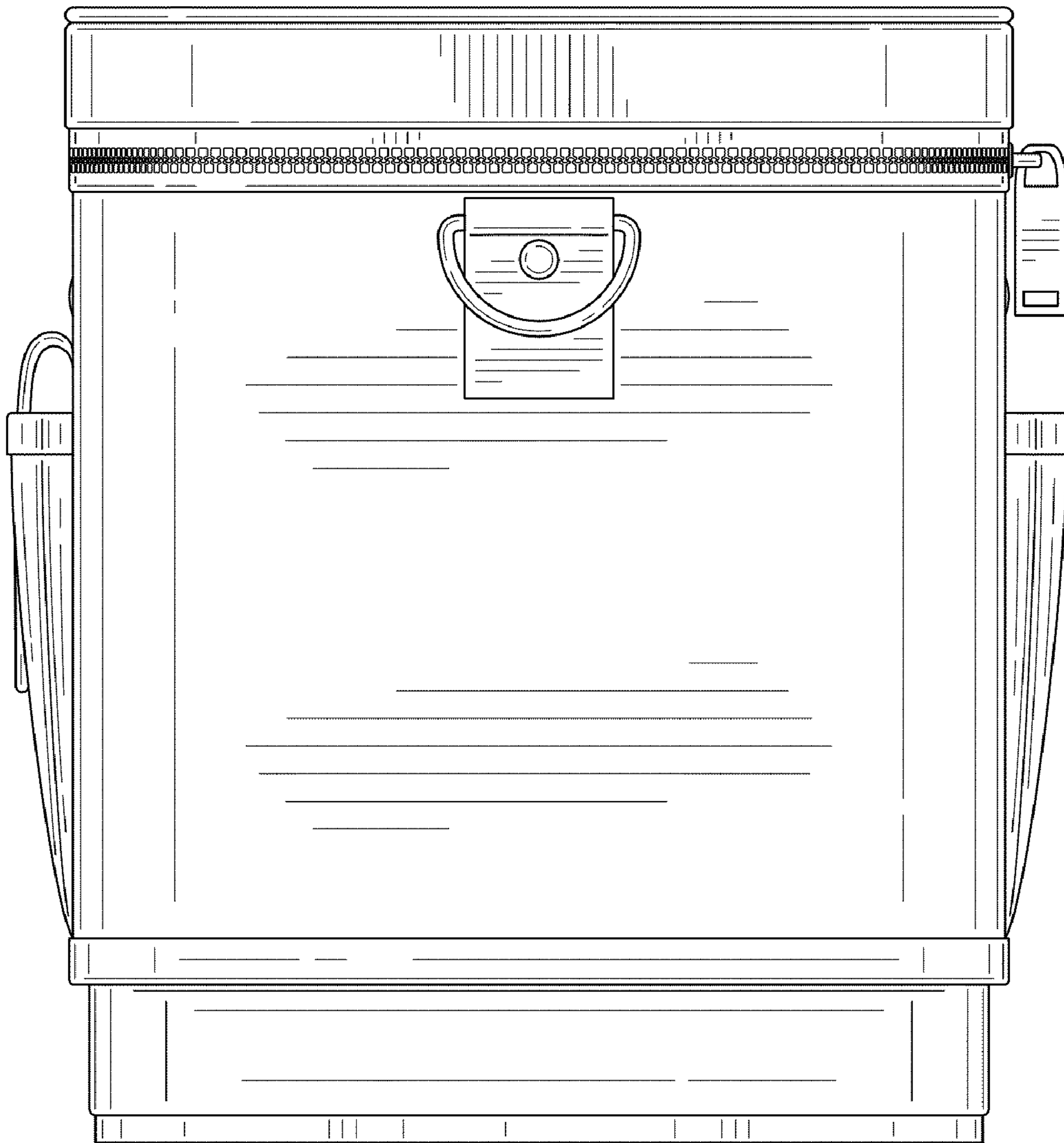


FIG. 4

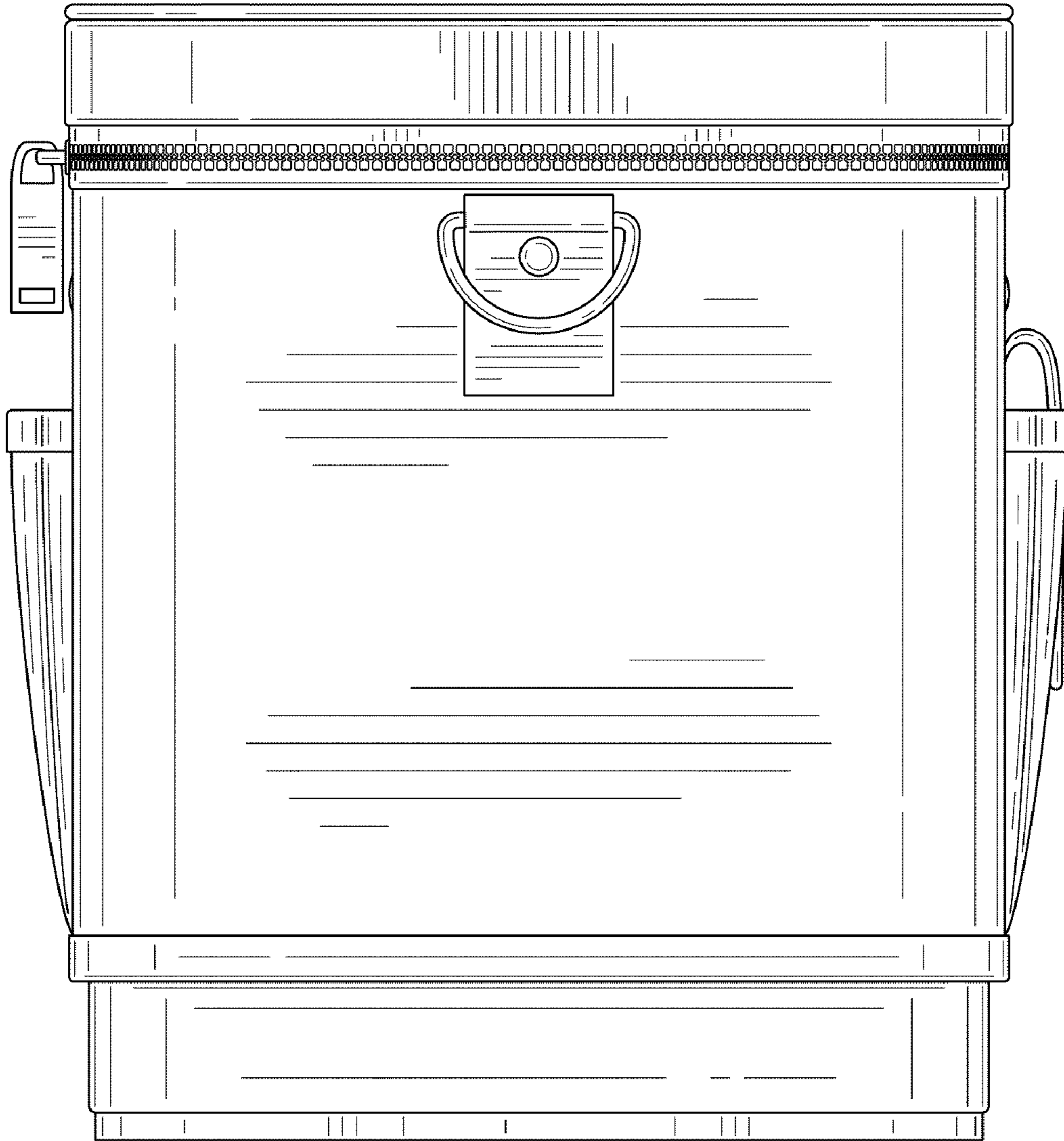


FIG. 5

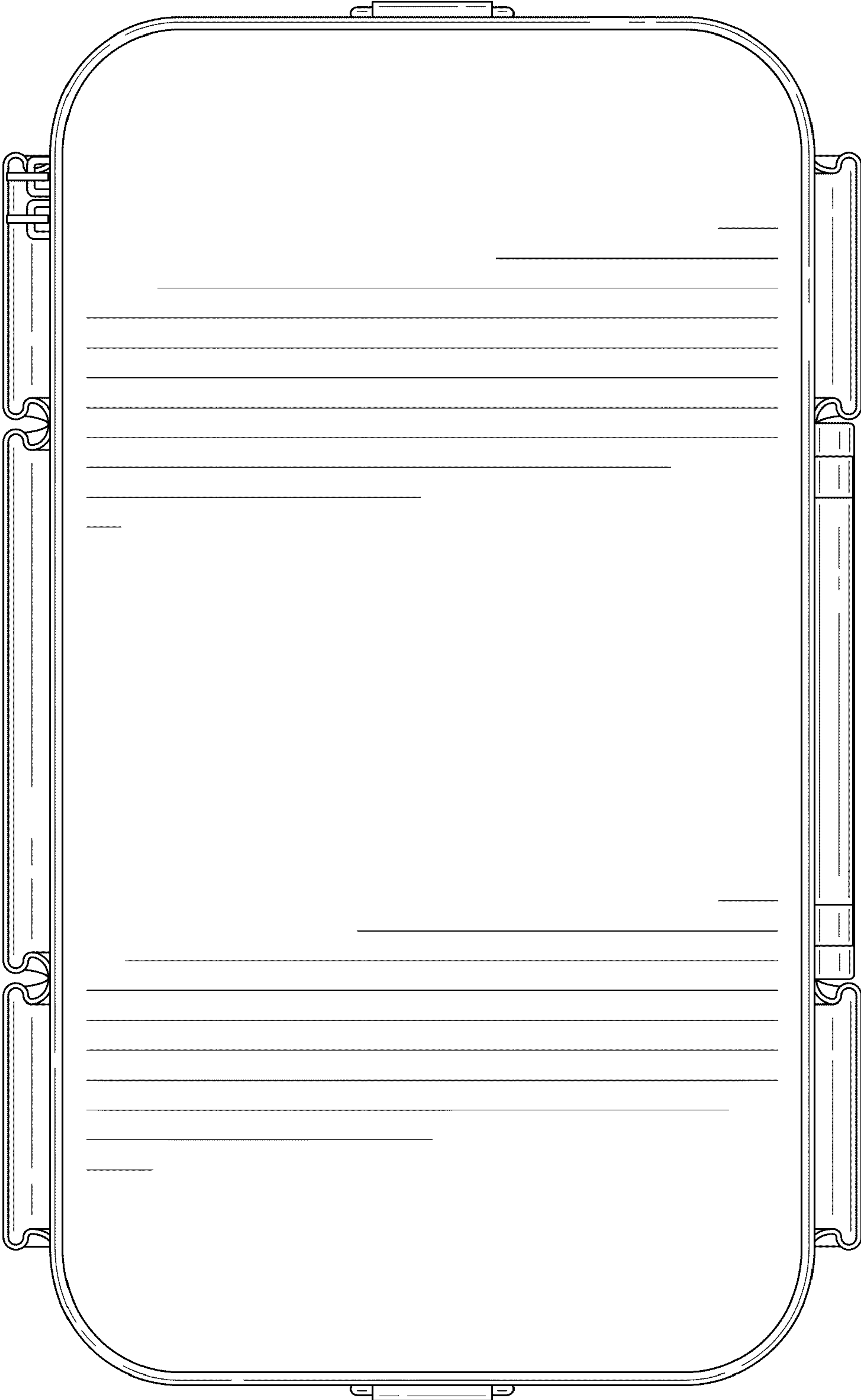


FIG. 6

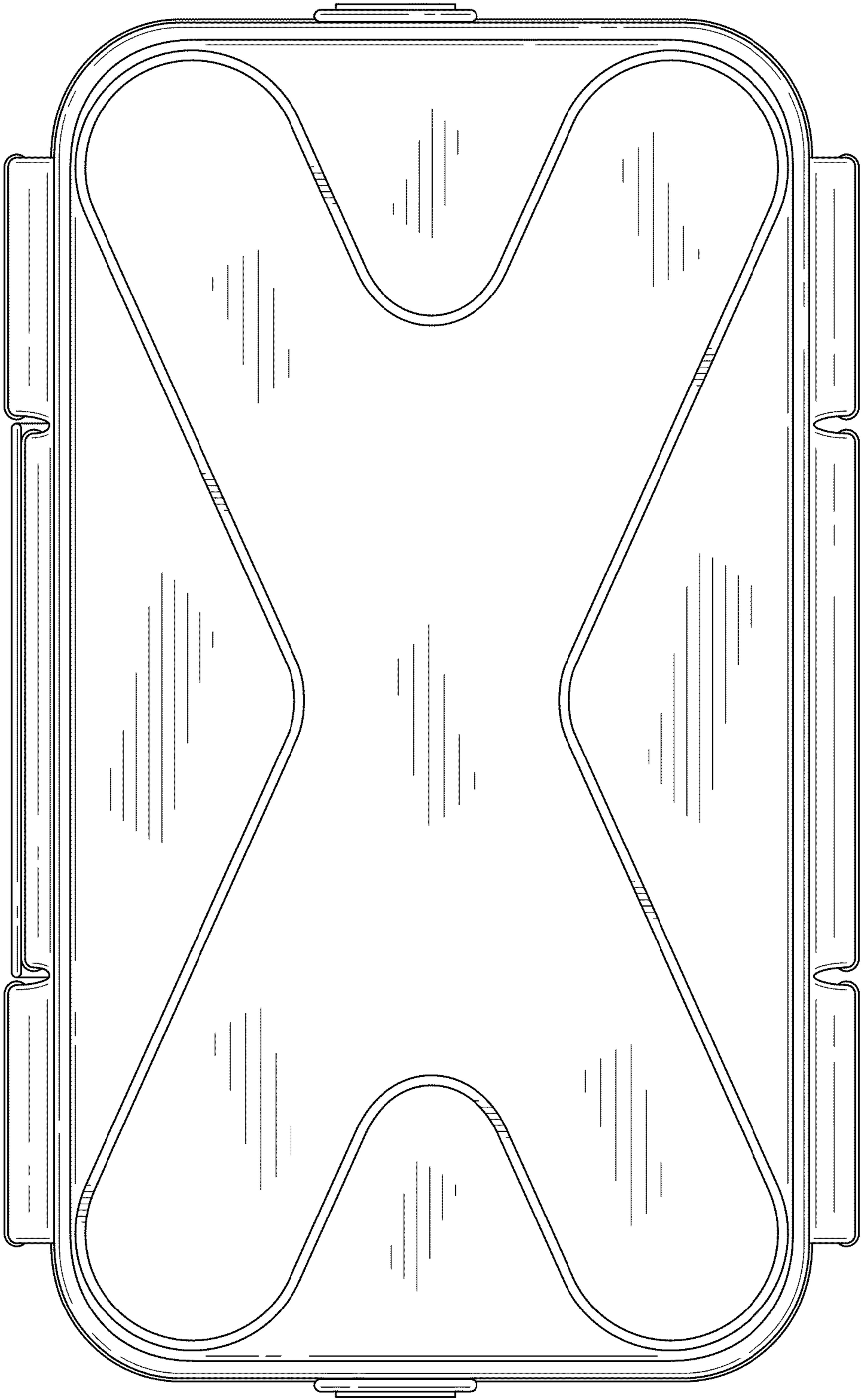


FIG. 7