



US00D648529S

(12) **United States Design Patent**  
**Brown**

(10) **Patent No.:** **US D648,529 S**  
(45) **Date of Patent:** **\*\* Nov. 15, 2011**

(54) **CASE FOR AN ELECTRONIC MEDIA DEVICE**

(75) Inventor: **Jason Brown**, Seattle, WA (US)

(73) Assignee: **Brown Creative, Inc.**, Seattle, WA (US)

(\*\*) Term: **14 Years**

(21) Appl. No.: **29/394,100**

(22) Filed: **Jun. 13, 2011**

(51) **LOC (9) Cl.** ..... **03-01**

(52) **U.S. Cl.** ..... **D3/269**

(58) **Field of Classification Search** ..... D3/201,  
D3/215, 218, 269, 273, 294; D14/217, 432,  
D14/250; 206/320; 455/575.8

See application file for complete search history.

(56) **References Cited**

**U.S. PATENT DOCUMENTS**

D302,357 S *	7/1989	Fontaine, Jr.	.....	D3/249
D499,547 S *	12/2004	Brown	.....	D3/273
D524,862 S	7/2006	Arceneaux		
D547,547 S	7/2007	Maurion		
D564,020 S	3/2008	Brown		
D579,975 S *	11/2008	Brown	.....	D19/26
D600,699 S *	9/2009	Johnston et al.	.....	D14/440
D604,360 S	11/2009	Savoy		
D606,591 S	12/2009	Pearson		
D620,248 S	7/2010	Paschke		
D623,639 S	9/2010	Richardson		
D632,072 S	2/2011	Fahrendorff		
D632,686 S	2/2011	Magness		
D635,555 S	4/2011	Giles		
D635,763 S	4/2011	Fahrendorff		
D638,412 S *	5/2011	Lee	.....	D14/250
D638,441 S	5/2011	Ording		
D641,348 S *	7/2011	Kim et al.	.....	D14/250
2002/0163126 A1 *	11/2002	Caldwell	.....	273/157 R
2005/0231930 A1 *	10/2005	Jao	.....	361/807

**OTHER PUBLICATIONS**

“DODOcase,” ©2011 DODOcase, <<http://www.dodocase.com>> [retrieved Jun. 8, 2011], 2 pages.

\* cited by examiner

*Primary Examiner* — Barbara Fox

(74) *Attorney, Agent, or Firm* — Christensen O’Connor Johnson Kindness PLLC

(57) **CLAIM**

The ornamental design for a case for an electronic media device, as shown and described.

**DESCRIPTION**

FIG. 1 is a front-left perspective view of a case for an electronic media device, showing my new design with a translucent hinged cover;

FIG. 2 is a front view of the case shown in FIG. 1;

FIG. 3 is a back view of the case shown in FIG. 1;

FIG. 4 is a left side view of the case shown in FIG. 1;

FIG. 5 is a right side view of the case shown in FIG. 1;

FIG. 6 is a top view of the case shown in FIG. 1;

FIG. 7 is a bottom view of the case shown in FIG. 1;

FIG. 8 is a perspective view of the case shown in FIG. 1, shown in an open and rotated position;

FIG. 9 is a front-left perspective view of a case for an electronic media device, showing my new design with an opaque hinged cover;

FIG. 10 is a front view of the case shown in FIG. 9

FIG. 11 is a back view of the case shown in FIG. 9;

FIG. 12 is a left side view of the case shown in FIG. 9;

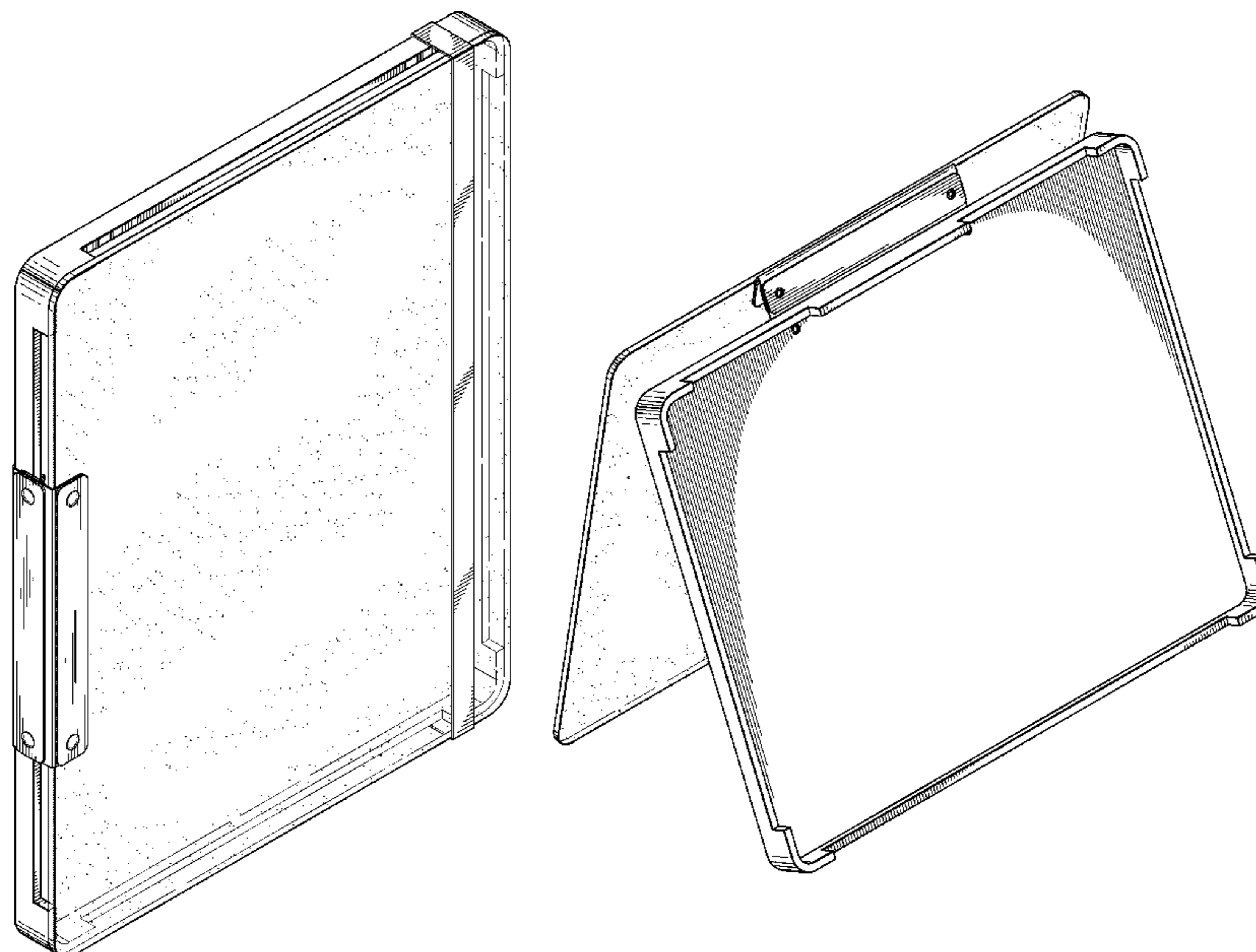
FIG. 13 is a right side view of the case shown in FIG. 9;

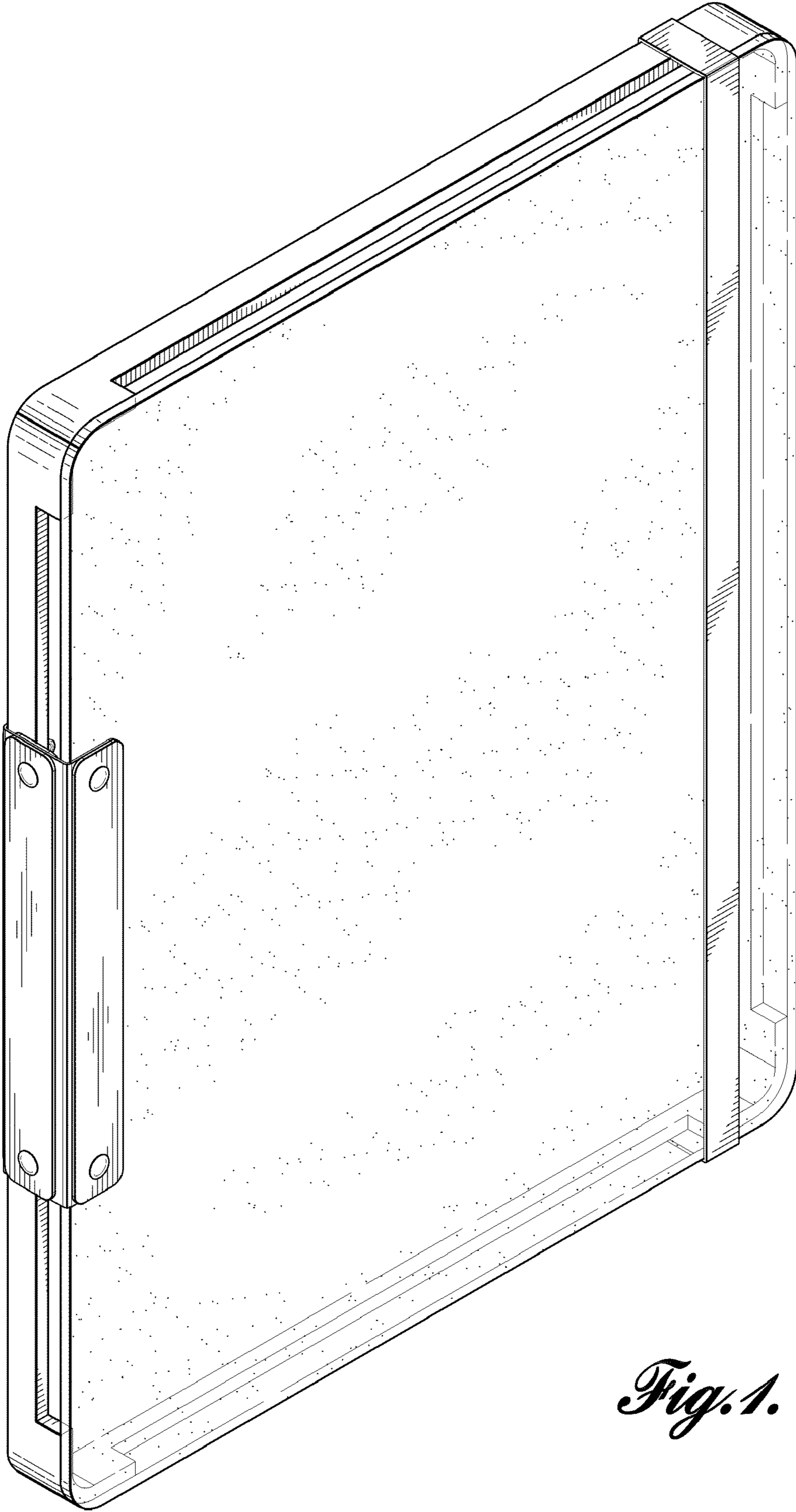
FIG. 14 is a top view of the case shown in FIG. 9;

FIG. 15 is a bottom view of the case shown in FIG. 9; and,

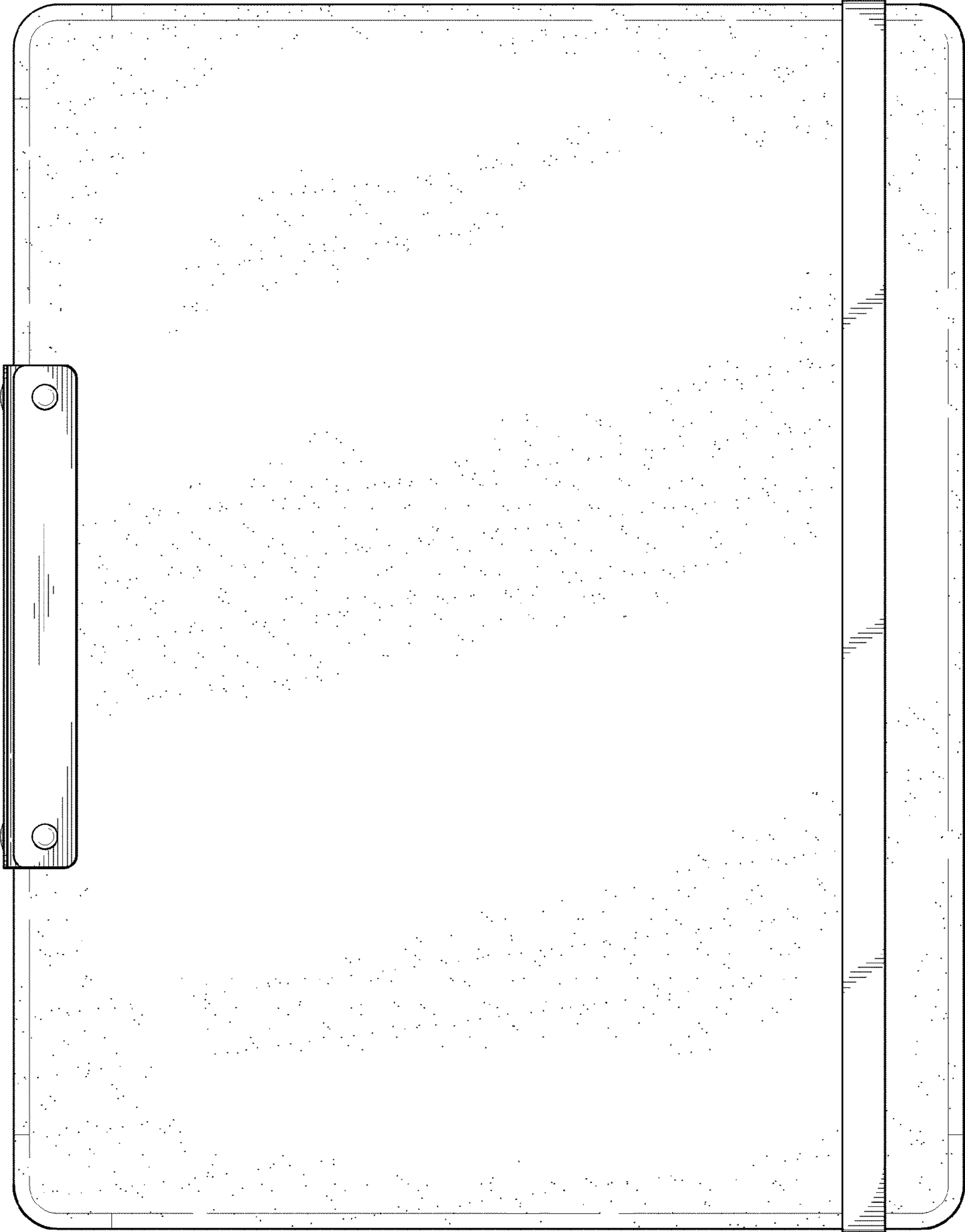
FIG. 16 is a perspective view of the case shown in FIG. 9, shown in an open and rotated position.

**1 Claim, 12 Drawing Sheets**

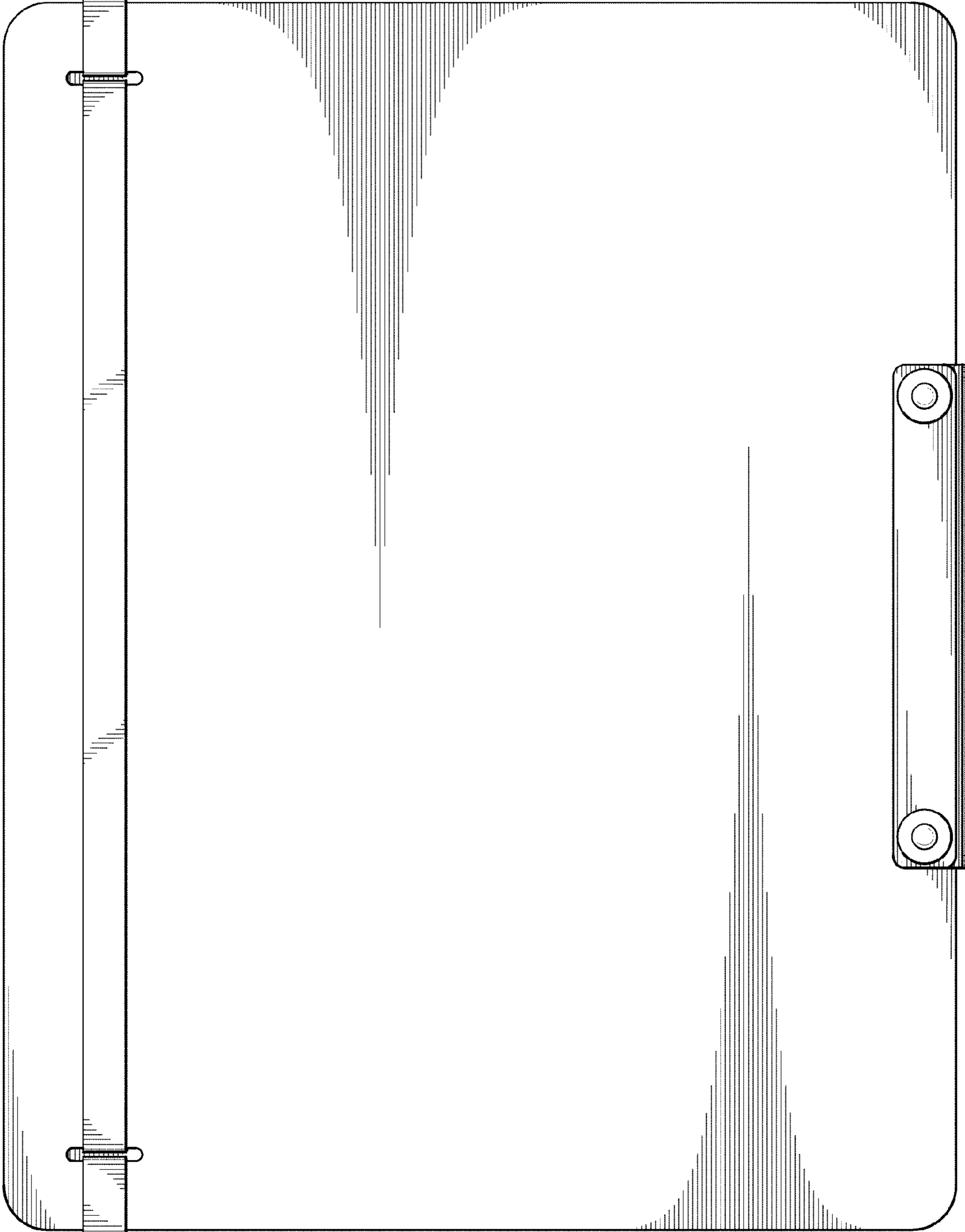




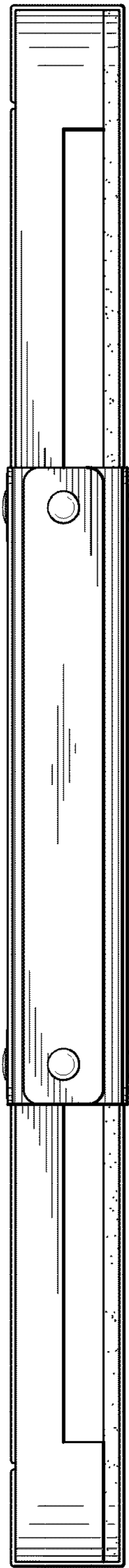
*Fig. 1.*



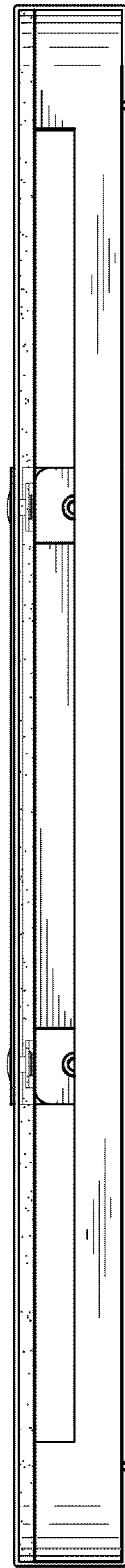
*Fig. 2.*



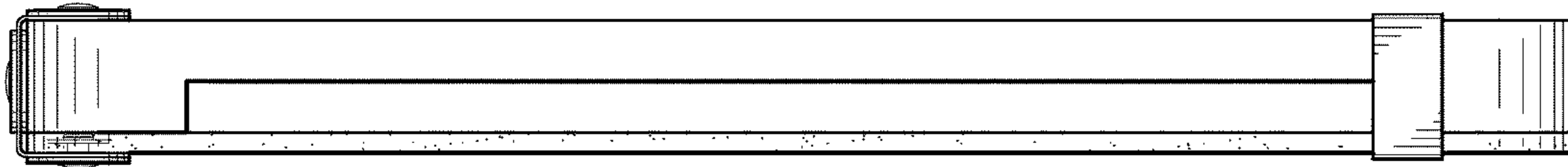
*Fig. 3.*



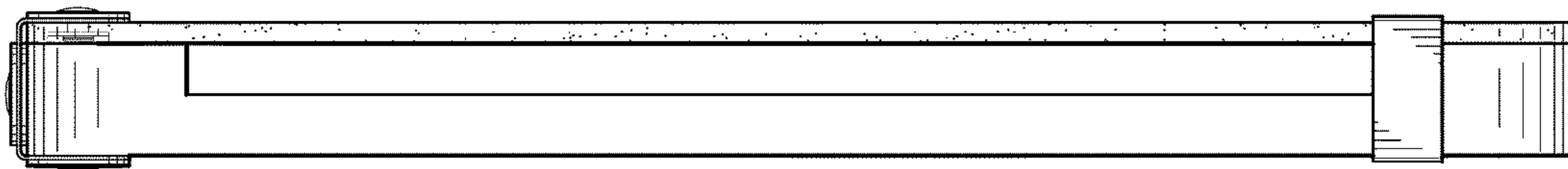
*Fig. 4.*



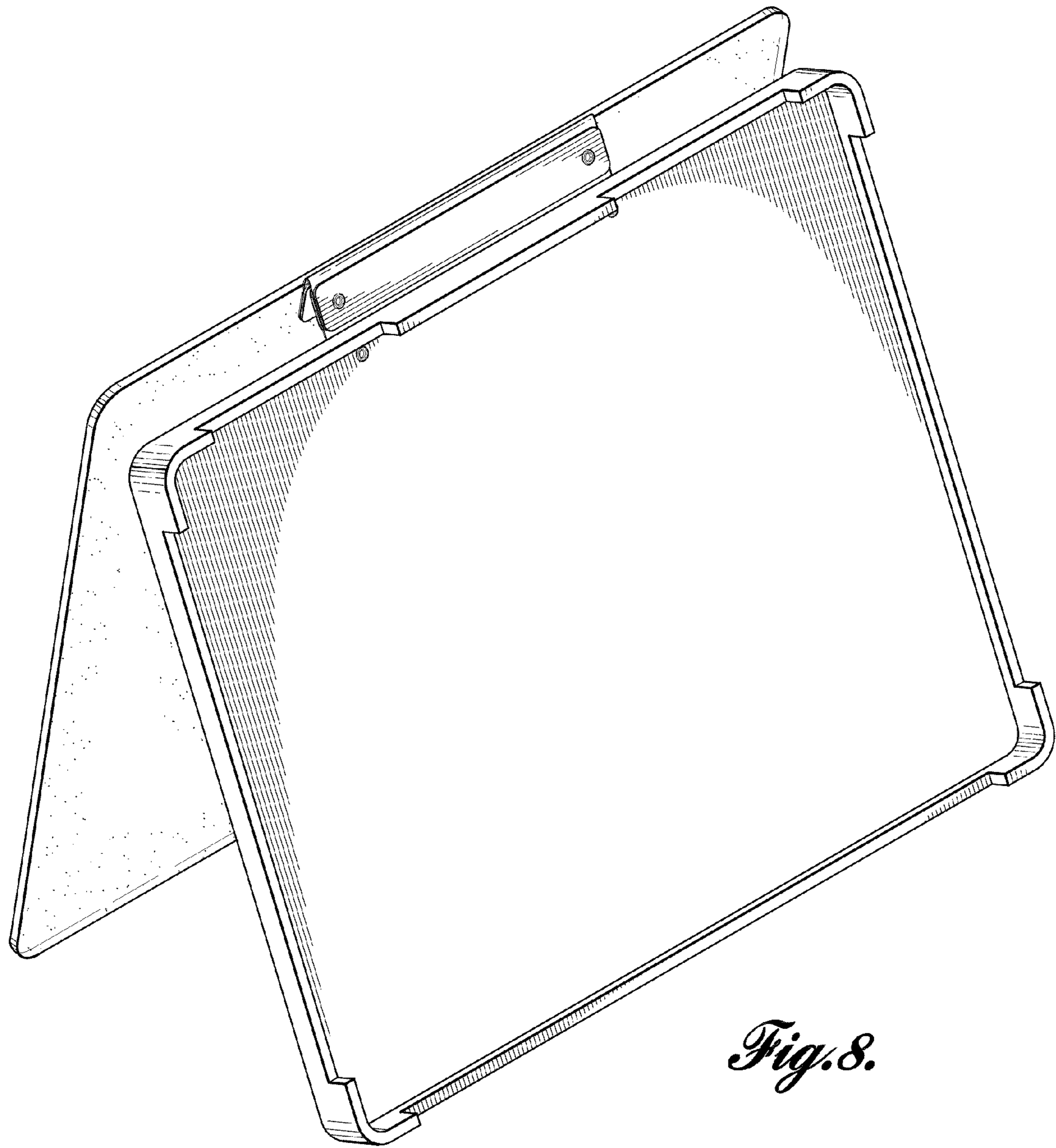
*Fig. 5.*



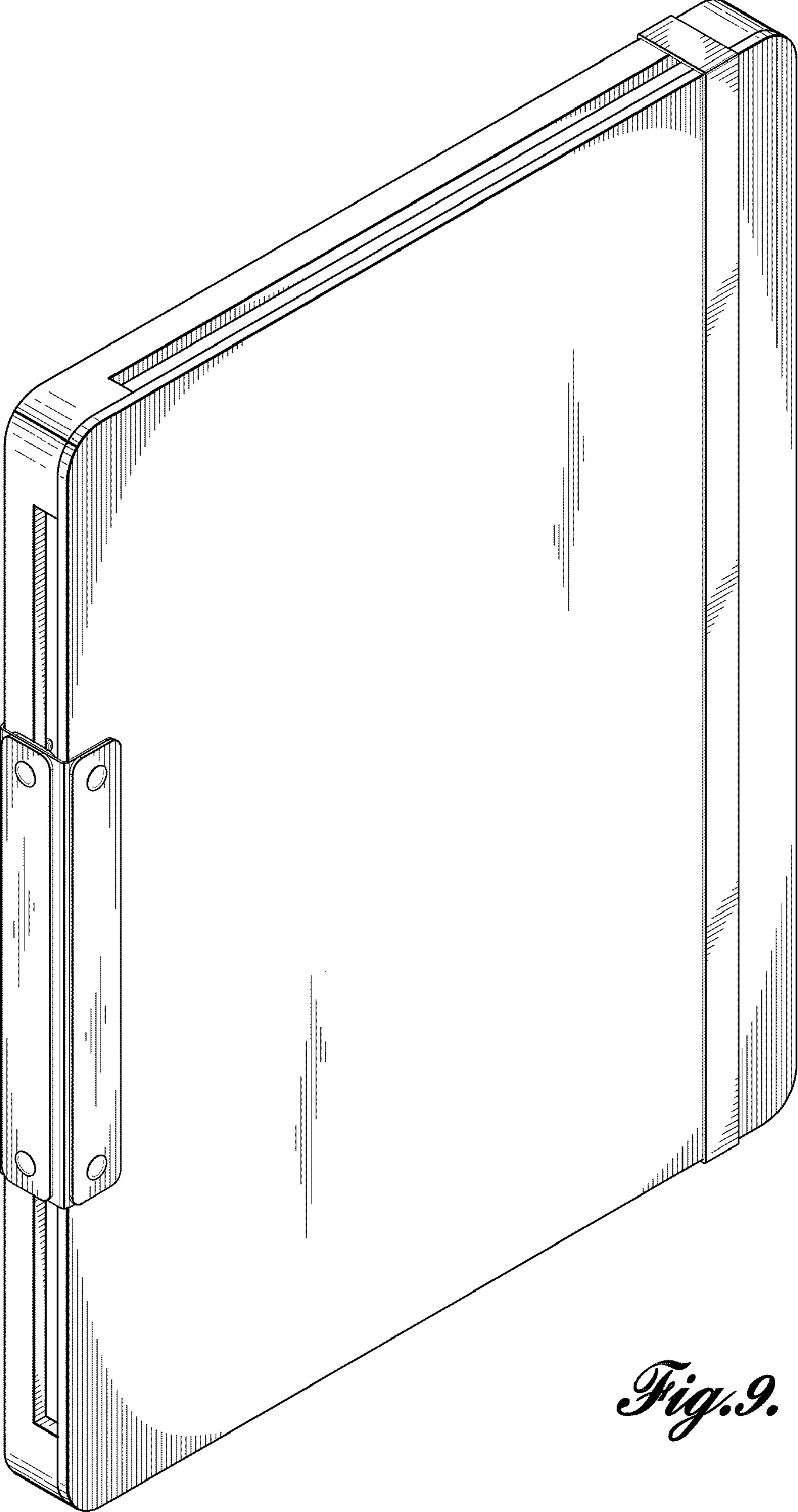
*Fig. 6.*



*Fig. 7.*

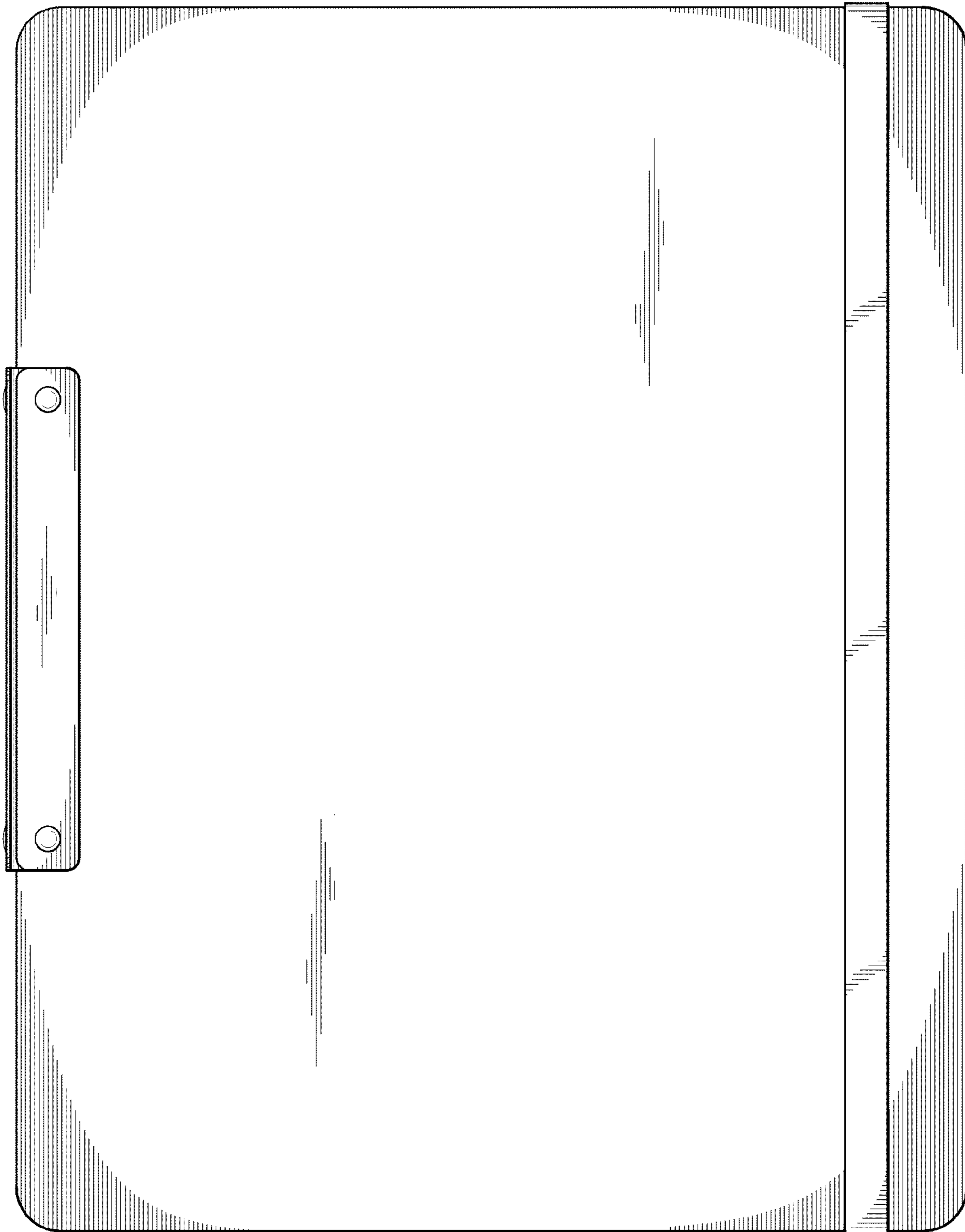


*Fig. 8.*

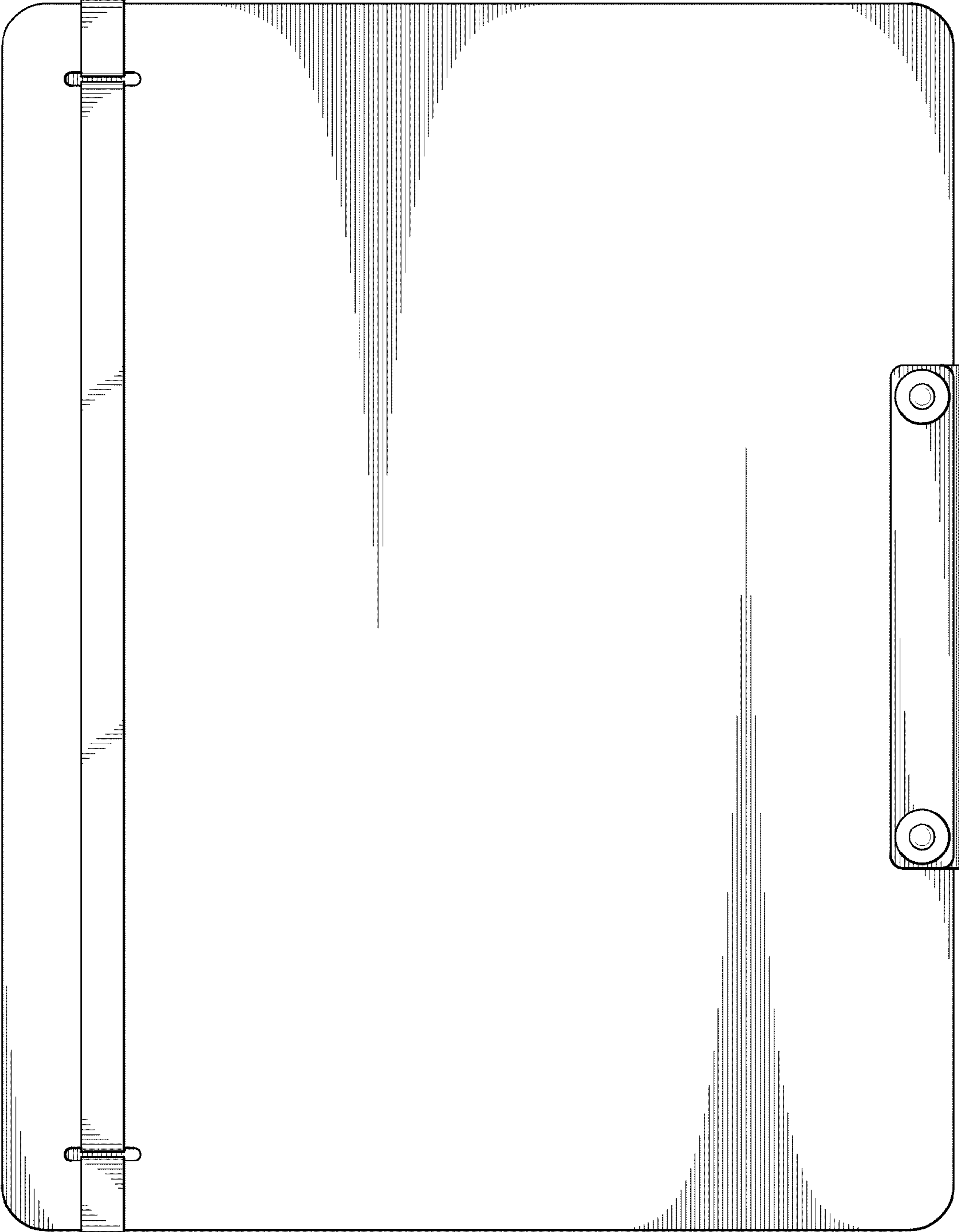


*Fig. 9.*

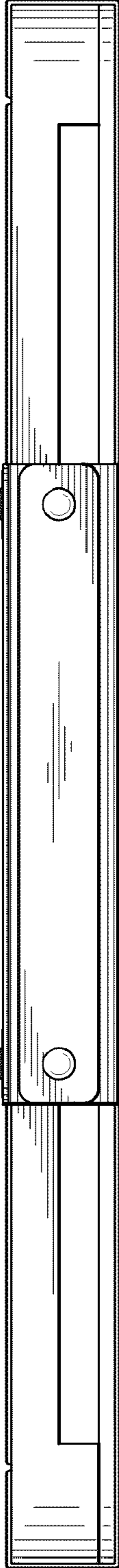




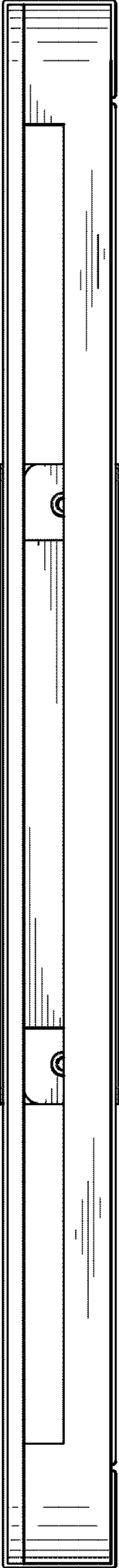
*Fig. 10.*



*Fig. 11.*



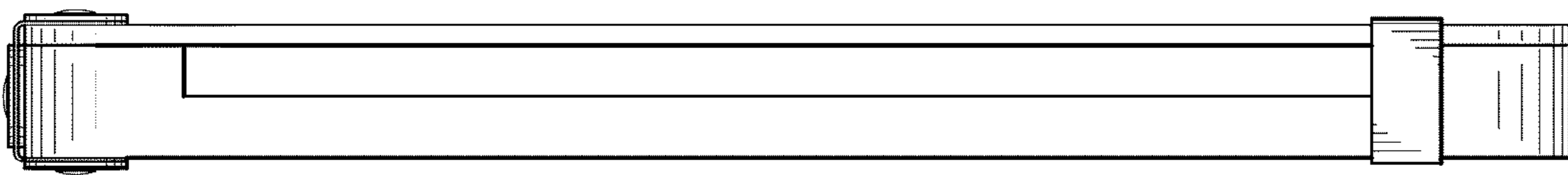
*Fig. 12.*



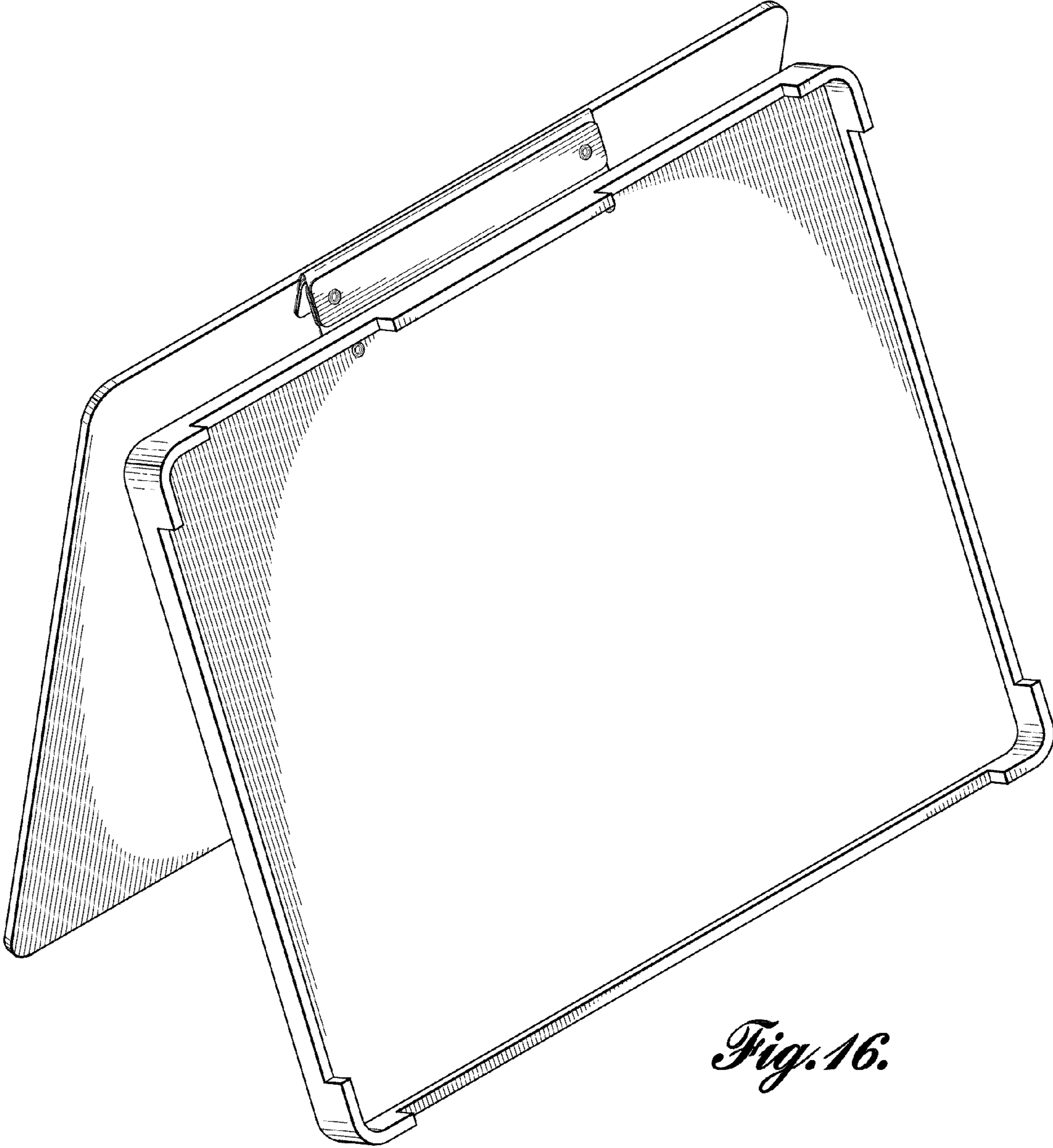
*Fig. 13.*



*Fig. 14.*



*Fig. 15.*



*Fig. 16.*