



US00D648525S

(12) **United States Design Patent**
Fahrendorff et al.

(10) **Patent No.:** **US D648,525 S**

(45) **Date of Patent:** **** Nov. 15, 2011**

(54) **HOLSTER**

(75) Inventors: **Anders Fahrendorff**, Ottawa (CA);
Andrew David Lowe, Unionville (CA)

(73) Assignee: **Research In Motion Limited**, Waterloo,
Ontario (CA)

(**) Term: **14 Years**

(21) Appl. No.: **29/382,485**

(22) Filed: **Jan. 4, 2011**

(51) **LOC (9) Cl.** **03-01**

(52) **U.S. Cl.** **D3/218**

(58) **Field of Classification Search** D3/201,
D3/215–219, 226, 269, 272–273, 265, 247–249;
206/305, 320; 455/90, 92, 42; 379/455;
224/250, 666, 674–677, 680–683, 240, 901;
D14/496, 156, 138, 250, 253

See application file for complete search history.

(56) **References Cited**

U.S. PATENT DOCUMENTS

D534,720 S * 1/2007 Infanti et al. D3/218
D606,299 S * 12/2009 Boomhour et al. D3/201
D606,301 S * 12/2009 Hofer et al. D3/218

* cited by examiner

Primary Examiner — Catheri Oliver

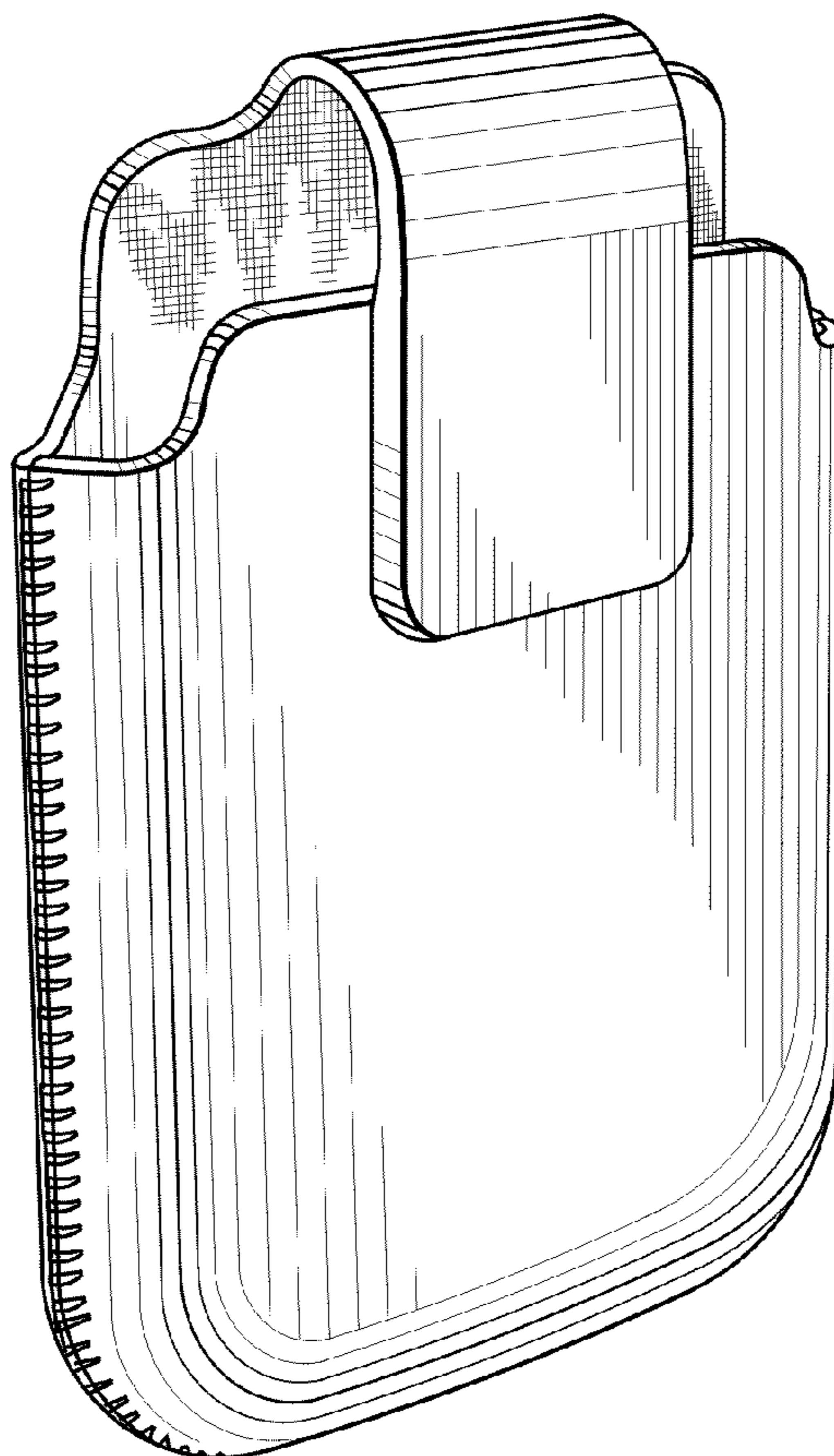
(57) **CLAIM**

We claim the ornamental design for a holster, as shown and described.

DESCRIPTION

FIG. 1 is a front perspective view of a holster;
FIG. 2 is a back perspective view of the holster;
FIG. 3 is a front elevational view thereof;
FIG. 4 is a back elevational view thereof;
FIG. 5 is a right elevational view thereof;
FIG. 6 is a left elevational view thereof;
FIG. 7 is a top plan view thereof; and,
FIG. 8 is a bottom plan view thereof.

1 Claim, 6 Drawing Sheets



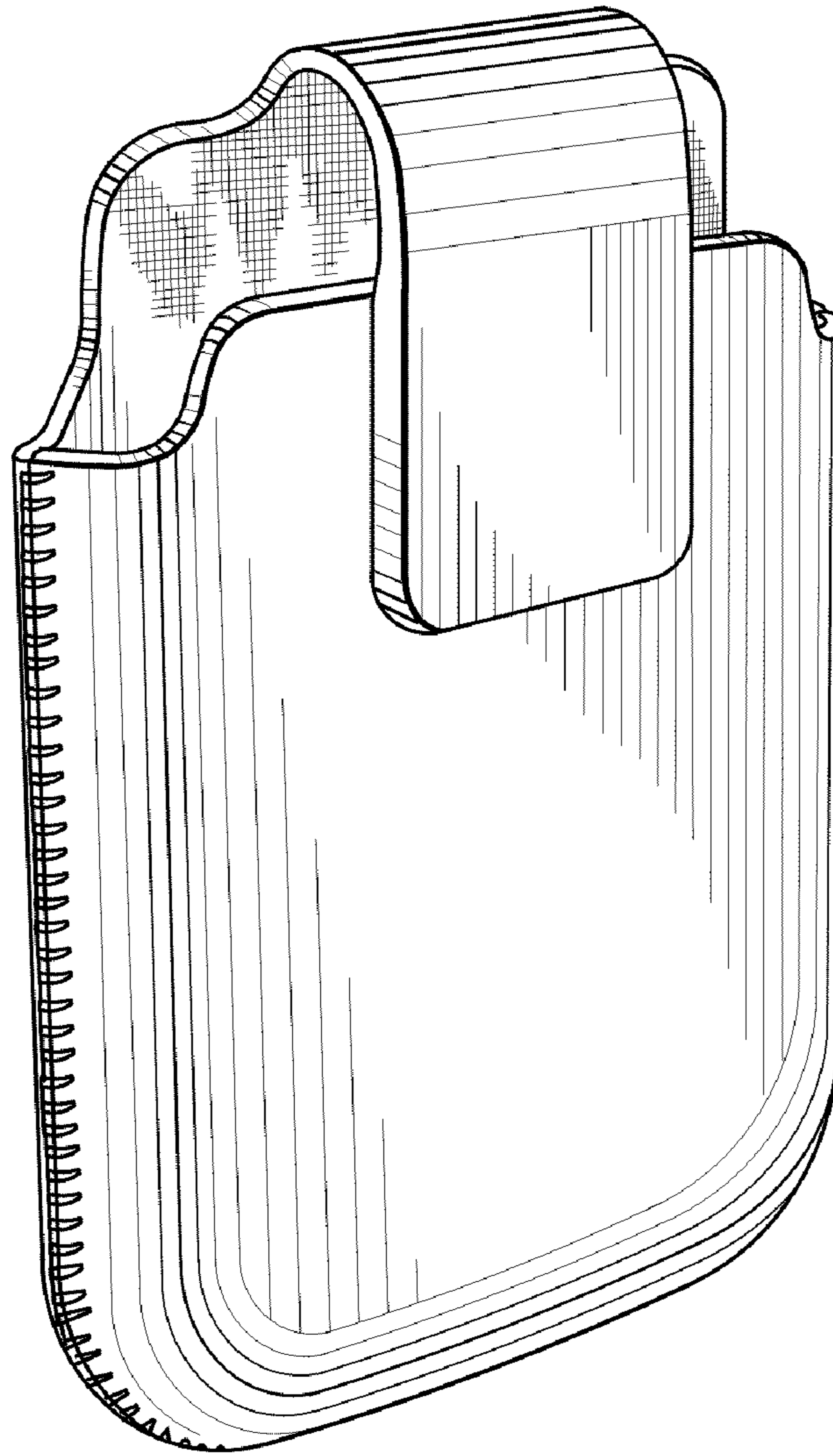


FIG. 1

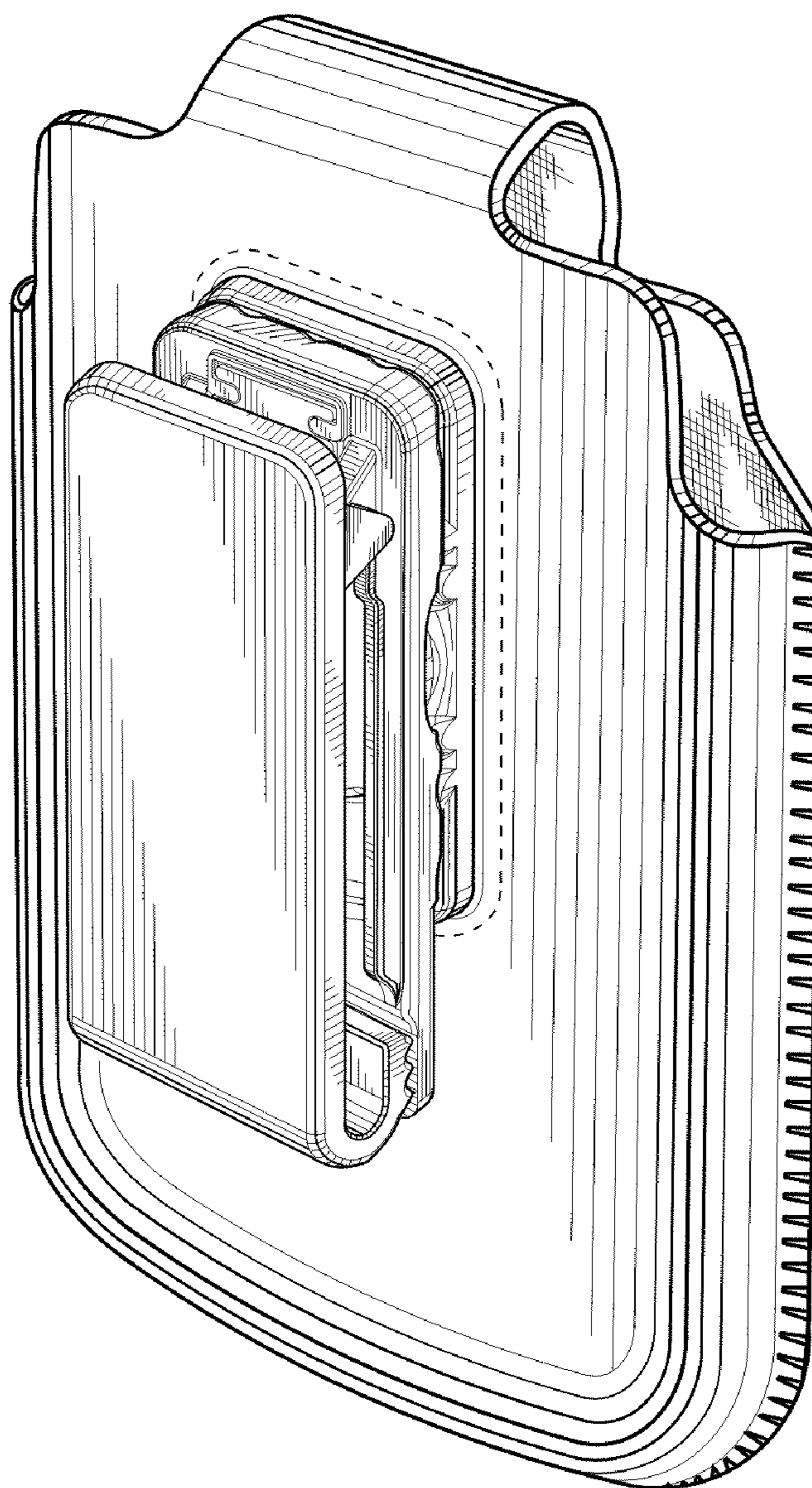


FIG.2

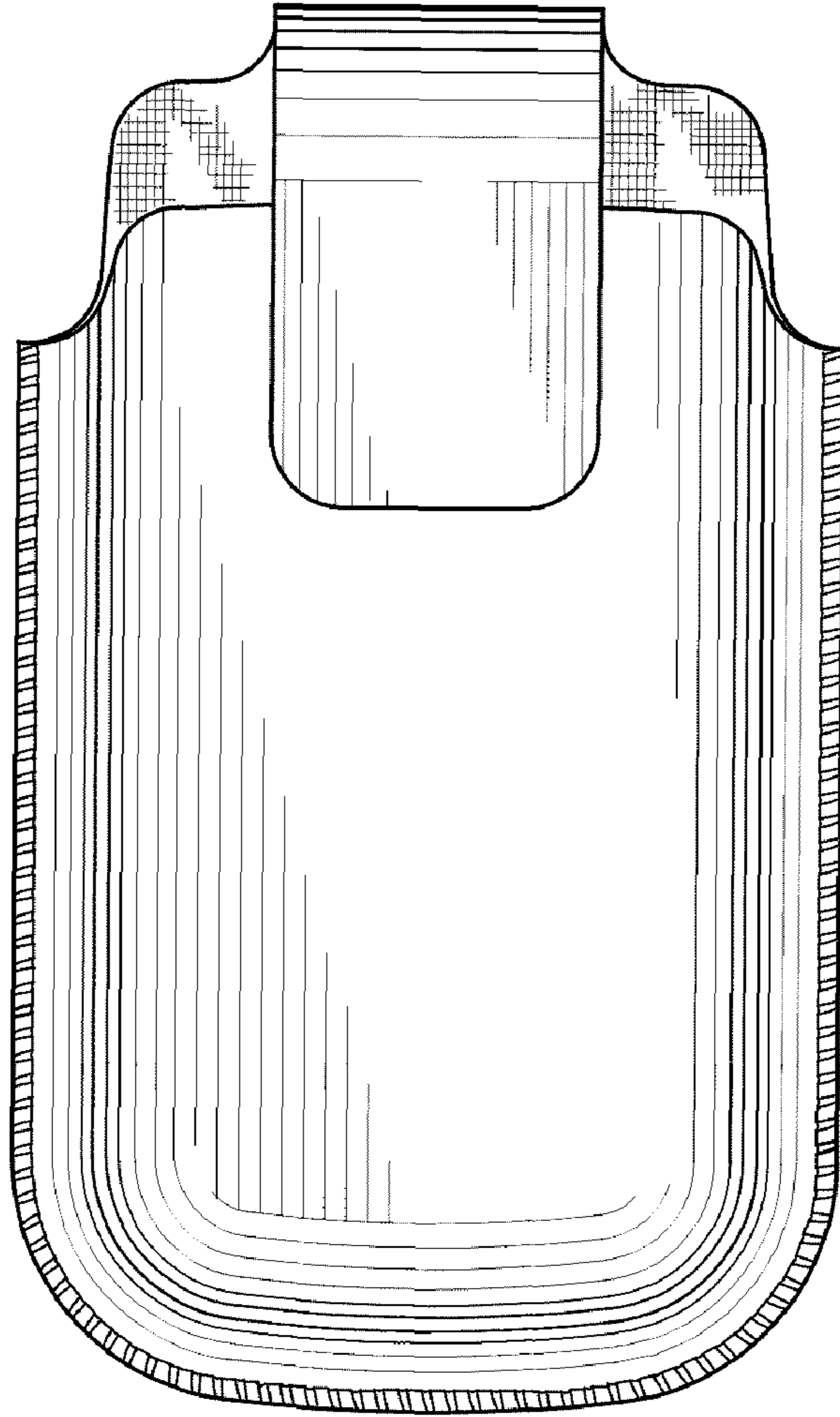


FIG.3

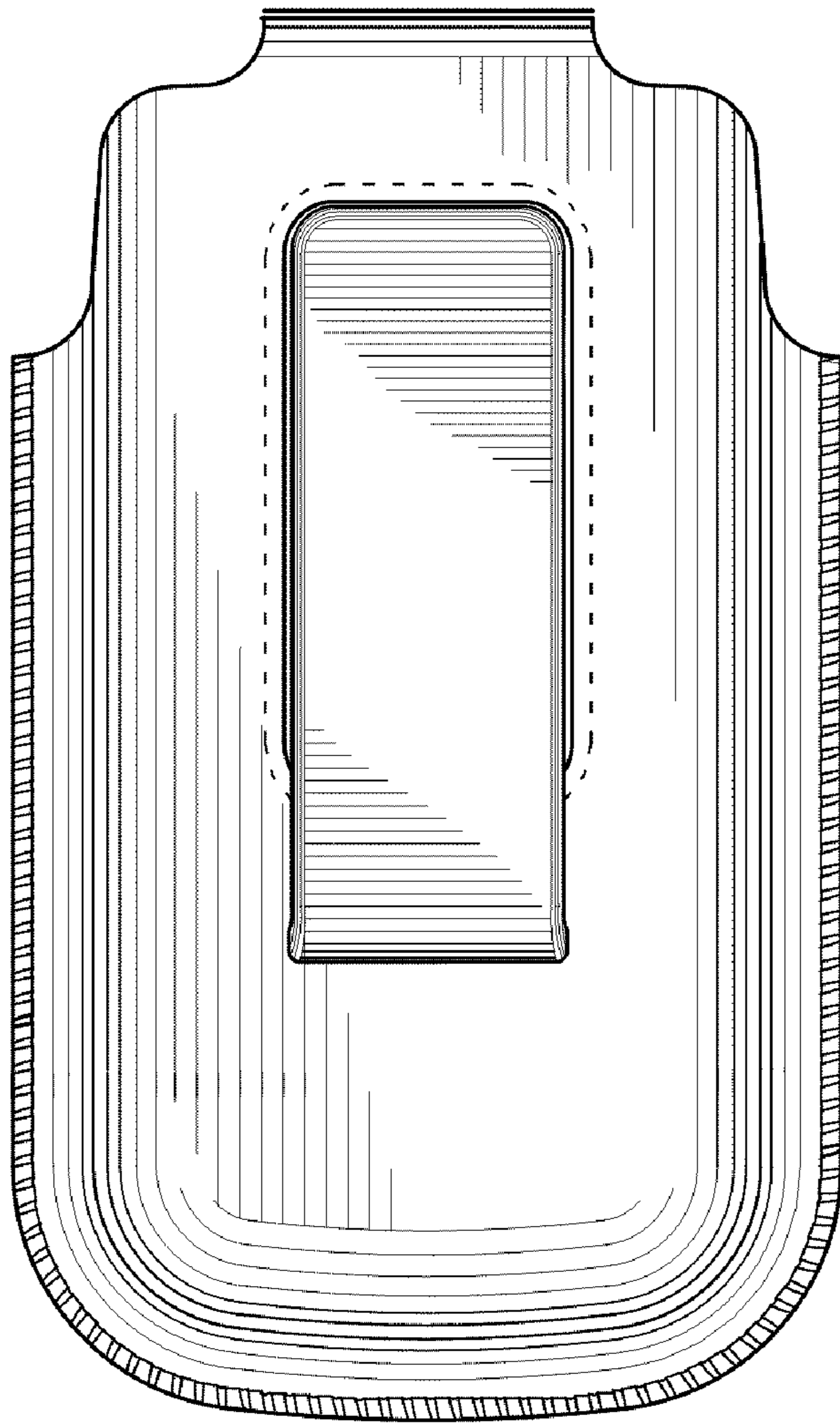


FIG.4

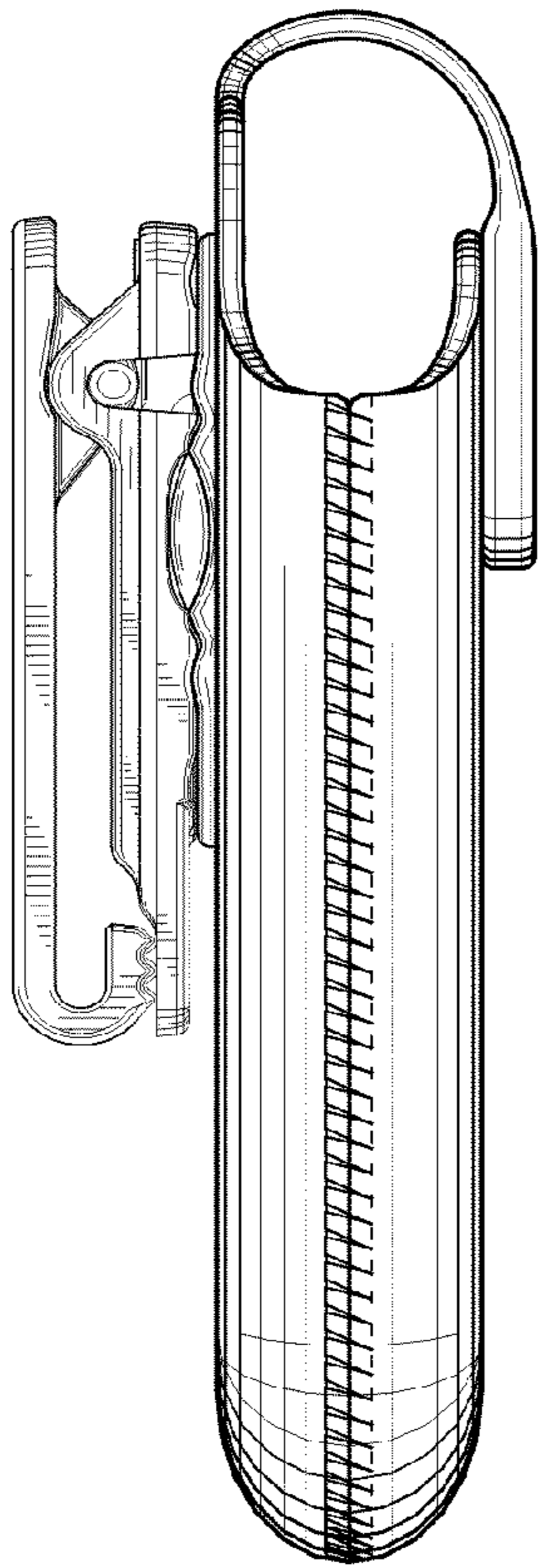


FIG. 5

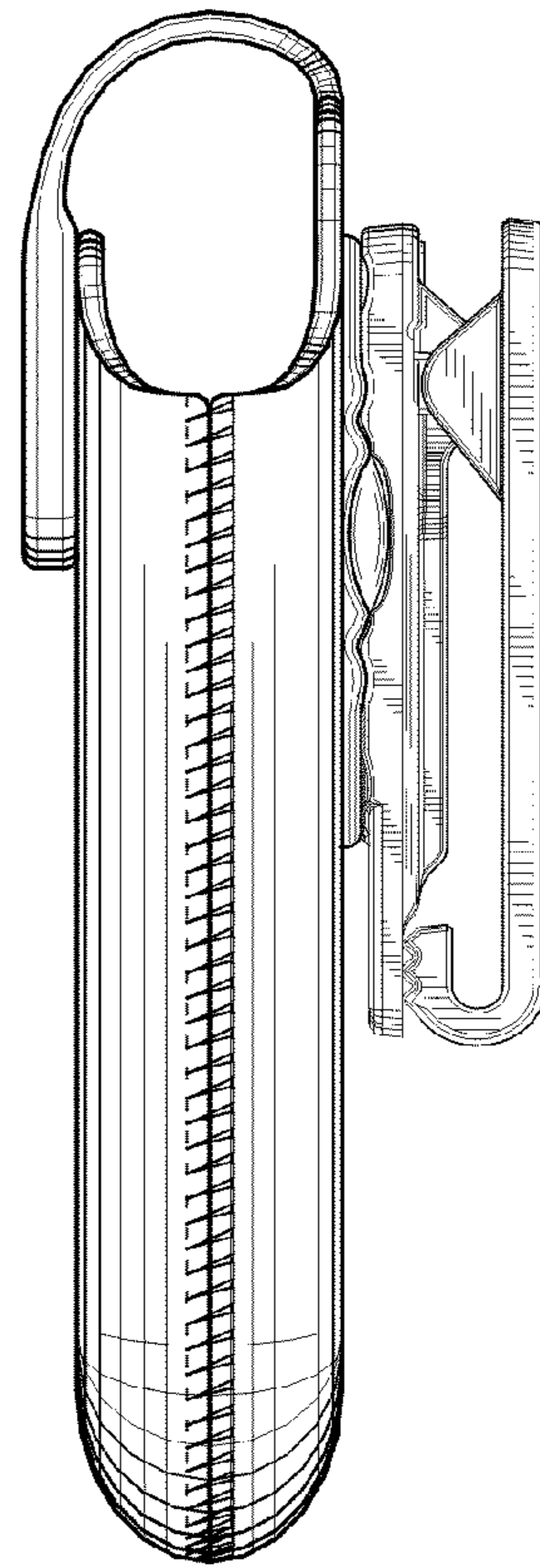


FIG. 6

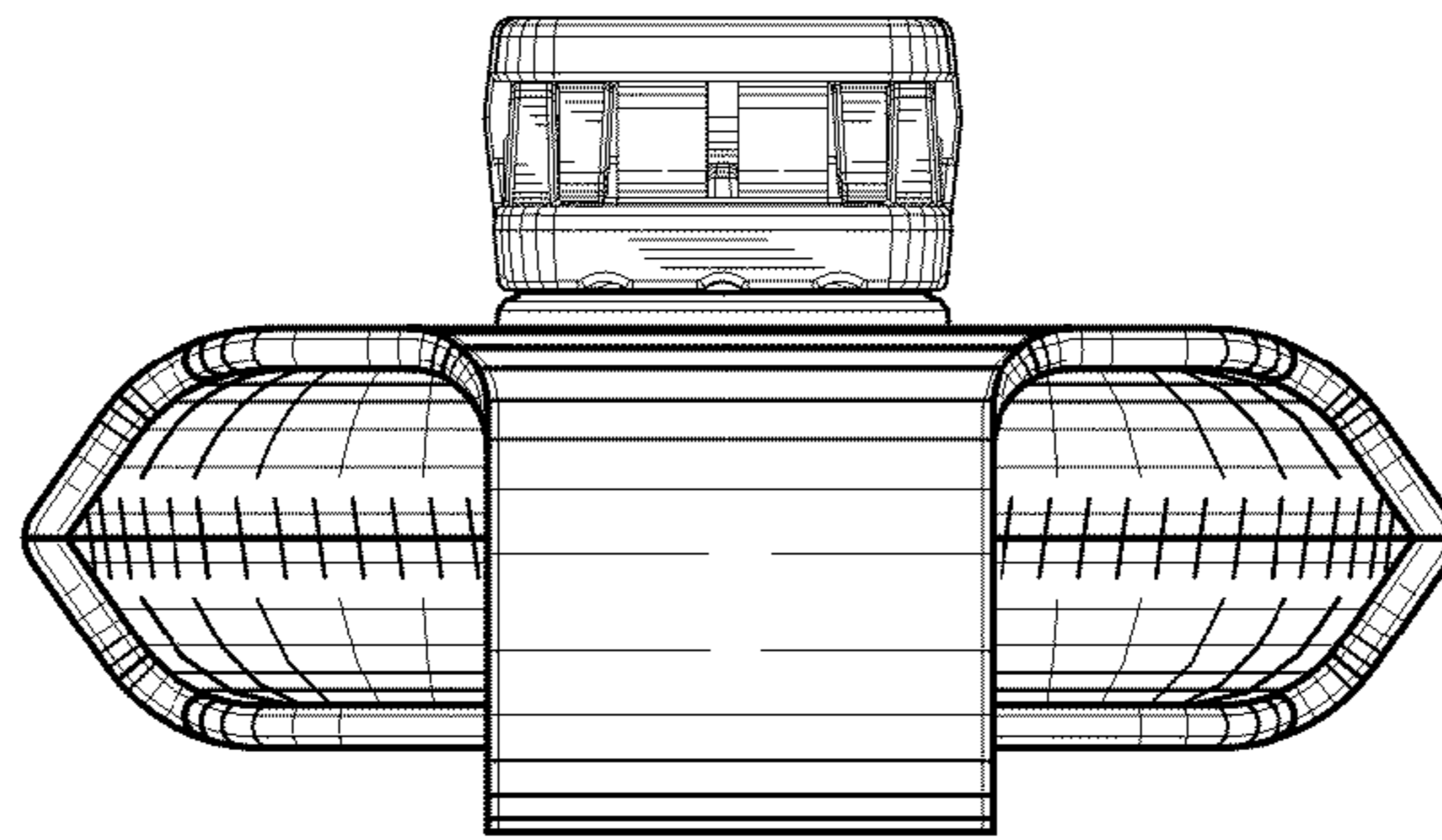


FIG. 7

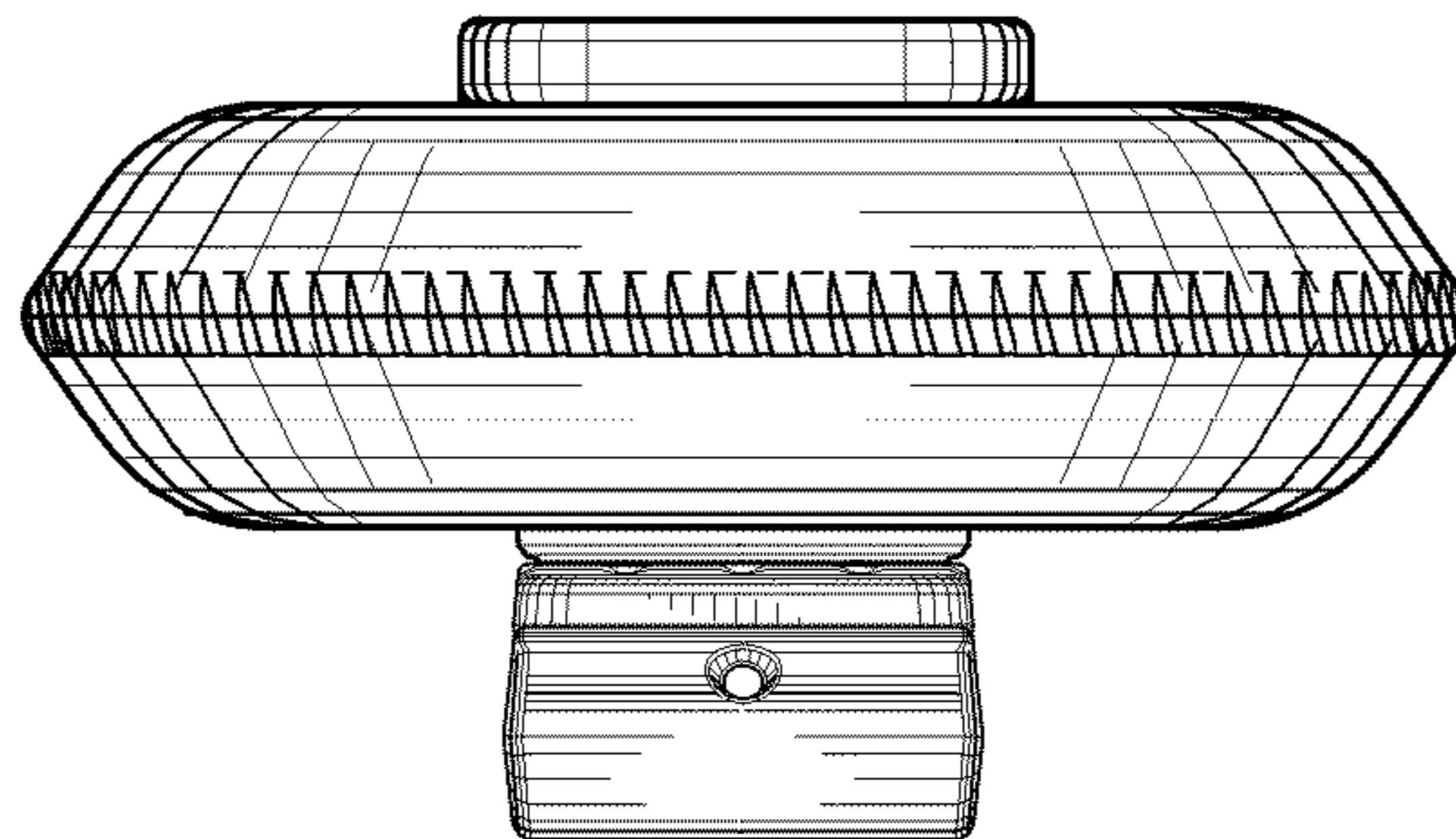


FIG. 8