



US00D648523S

(12) **United States Design Patent**
Fahrendorff et al.

(10) **Patent No.:** **US D648,523 S**

(45) **Date of Patent:** **** Nov. 15, 2011**

(54) **HOLSTER FOR A HANDHELD DEVICE**

(75) Inventors: **Anders Fahrendorff**, Ottawa (CA);
Andrew David Lowe, Unionville (CA)

(73) Assignee: **Research In Motion Limited**, Waterloo,
Ontario (CA)

(**) Term: **14 Years**

(21) Appl. No.: **29/368,724**

(22) Filed: **Aug. 27, 2010**

(51) **LOC (9) Cl.** **03-01**

(52) **U.S. Cl.** **D3/218**

(58) **Field of Classification Search** D3/218,
D3/215, 219, 224, 226, 201, 205, 269; 224/240–241,
224/901, 904, 676–681, 674, 578; D14/250–251,
D14/138; 206/305, 320; 455/42, 90, 92;
379/455

See application file for complete search history.

(56) **References Cited**

U.S. PATENT DOCUMENTS

D533,341	S	*	12/2006	Infanti et al.	D3/218
D534,720	S	*	1/2007	Infanti et al.	D3/218
D538,035	S	*	3/2007	Chen	D3/218
D594,226	S	*	6/2009	Hofer et al.	D3/218

* cited by examiner

Primary Examiner — Catheri Oliver

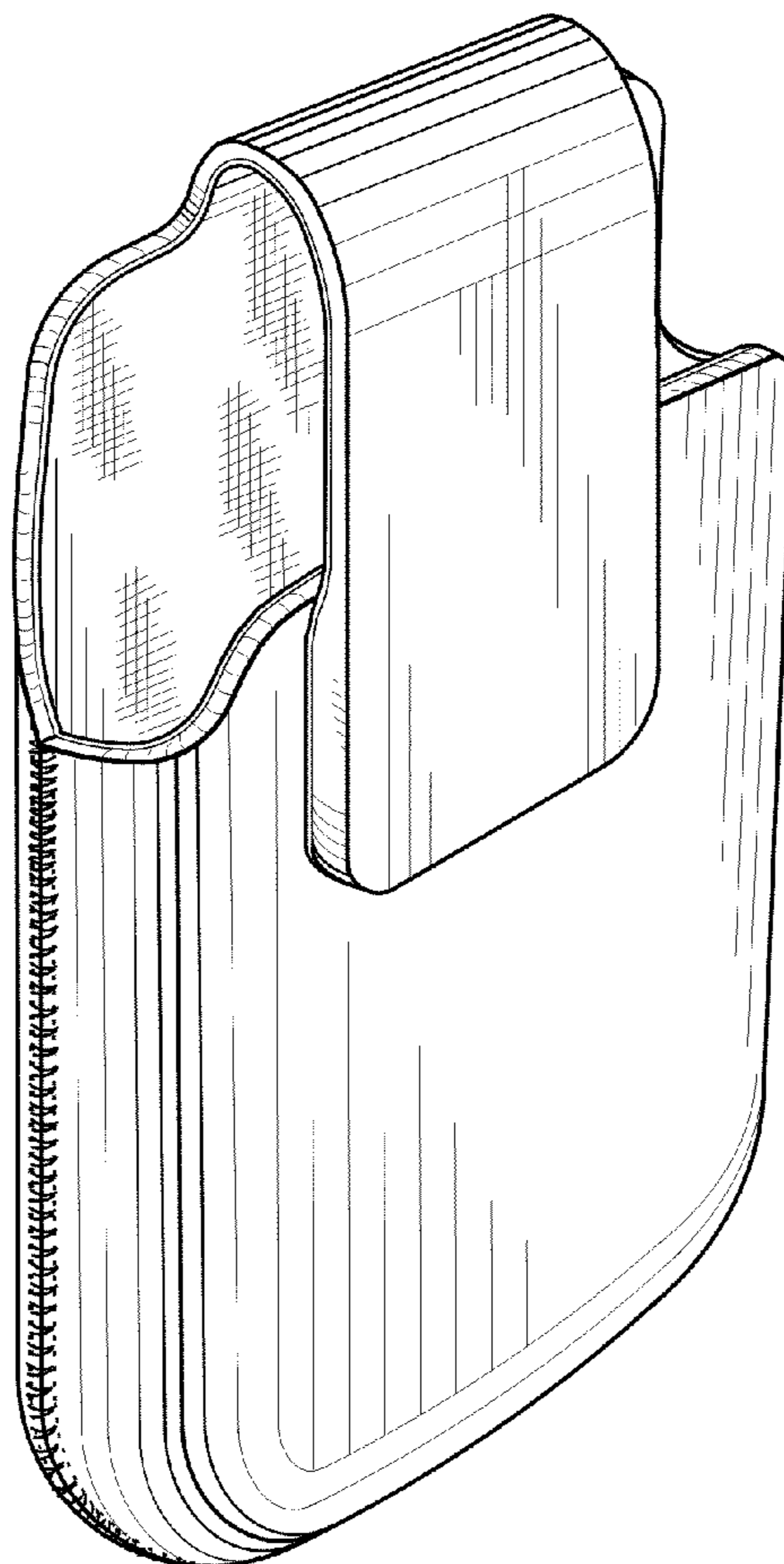
(57) **CLAIM**

We claim the ornamental design for a holster for a handheld device, as shown and described.

DESCRIPTION

FIG. 1 is a front perspective view of a holster for a handheld device;
FIG. 2 is a rear perspective view of the holster for a handheld device;
FIG. 3 is a front elevational view thereof;
FIG. 4 is a left elevational view thereof;
FIG. 5 is a rear elevational view thereof;
FIG. 6 is a right elevational view thereof;
FIG. 7 is a top plan view thereof; and,
FIG. 8 is a bottom plan view thereof.

1 Claim, 4 Drawing Sheets



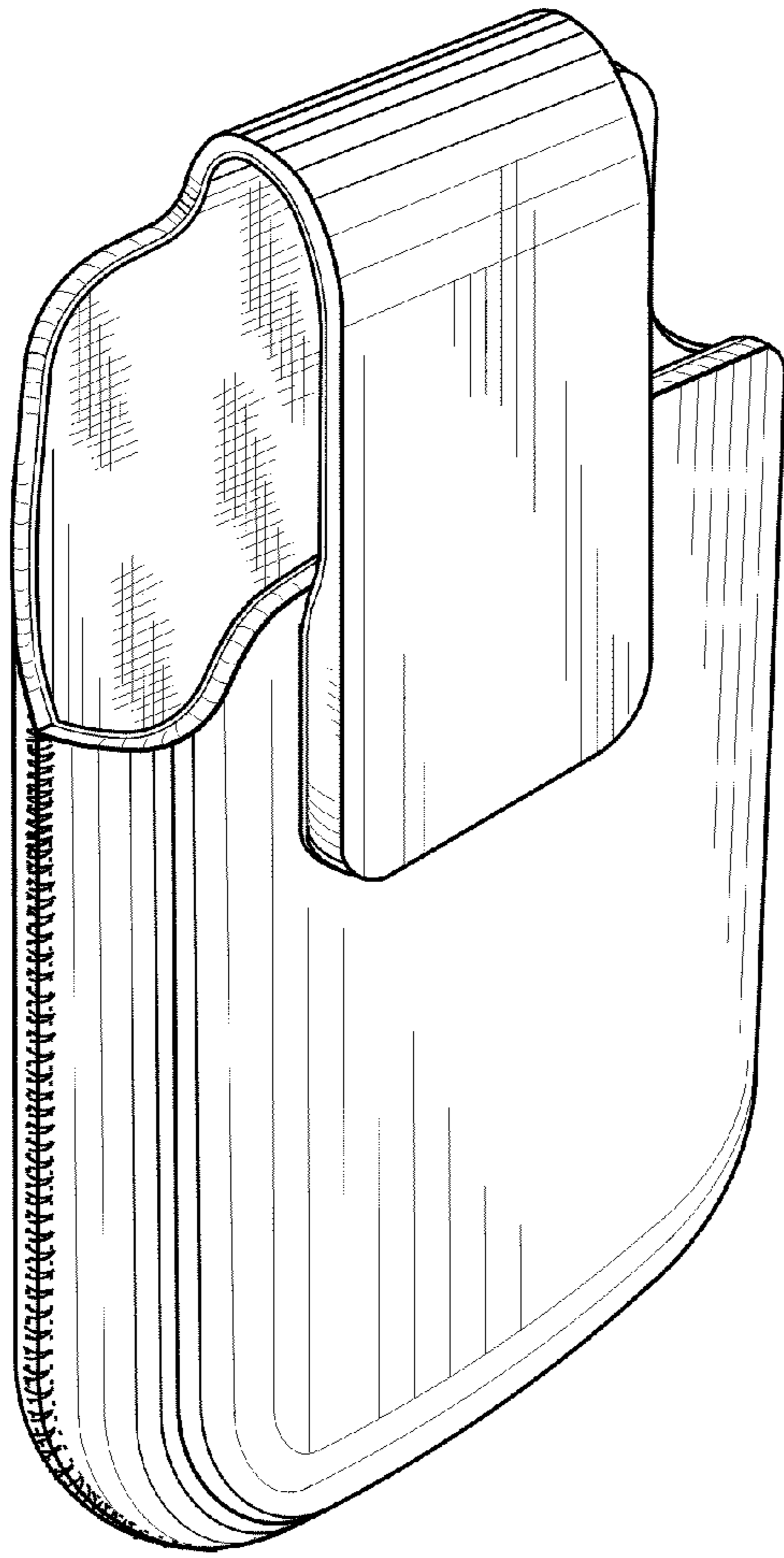


FIG. 1

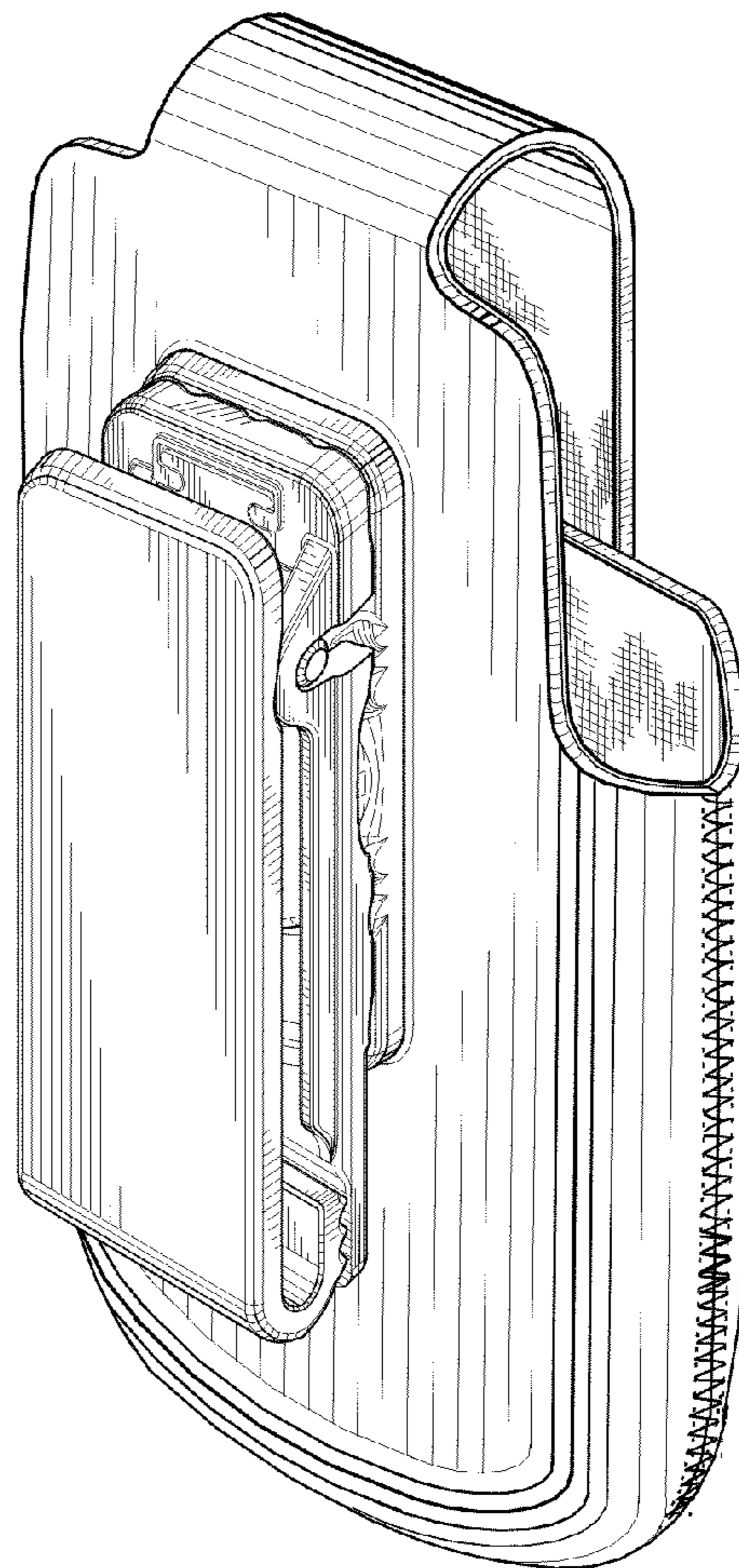


FIG. 2

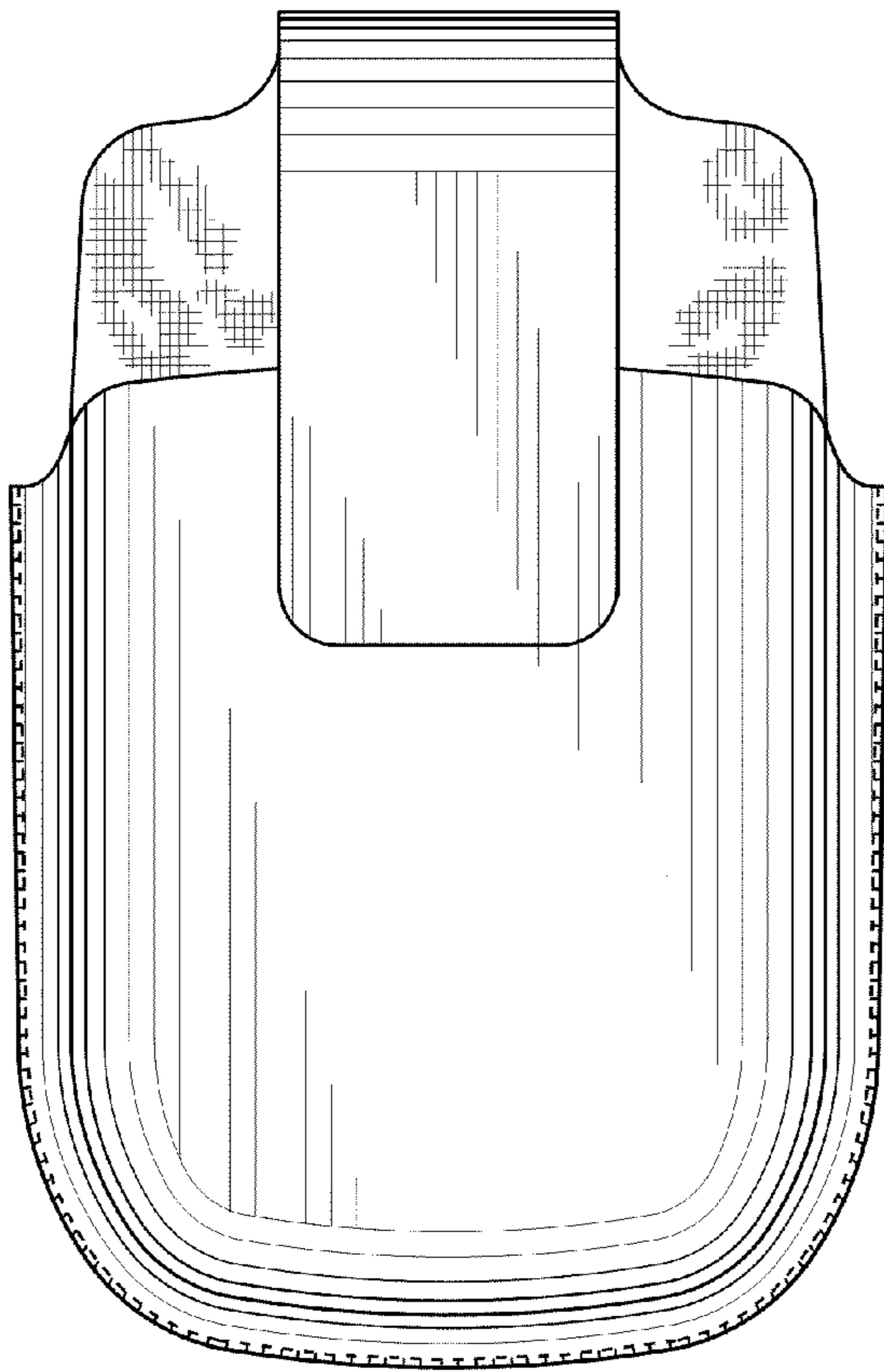


FIG.3

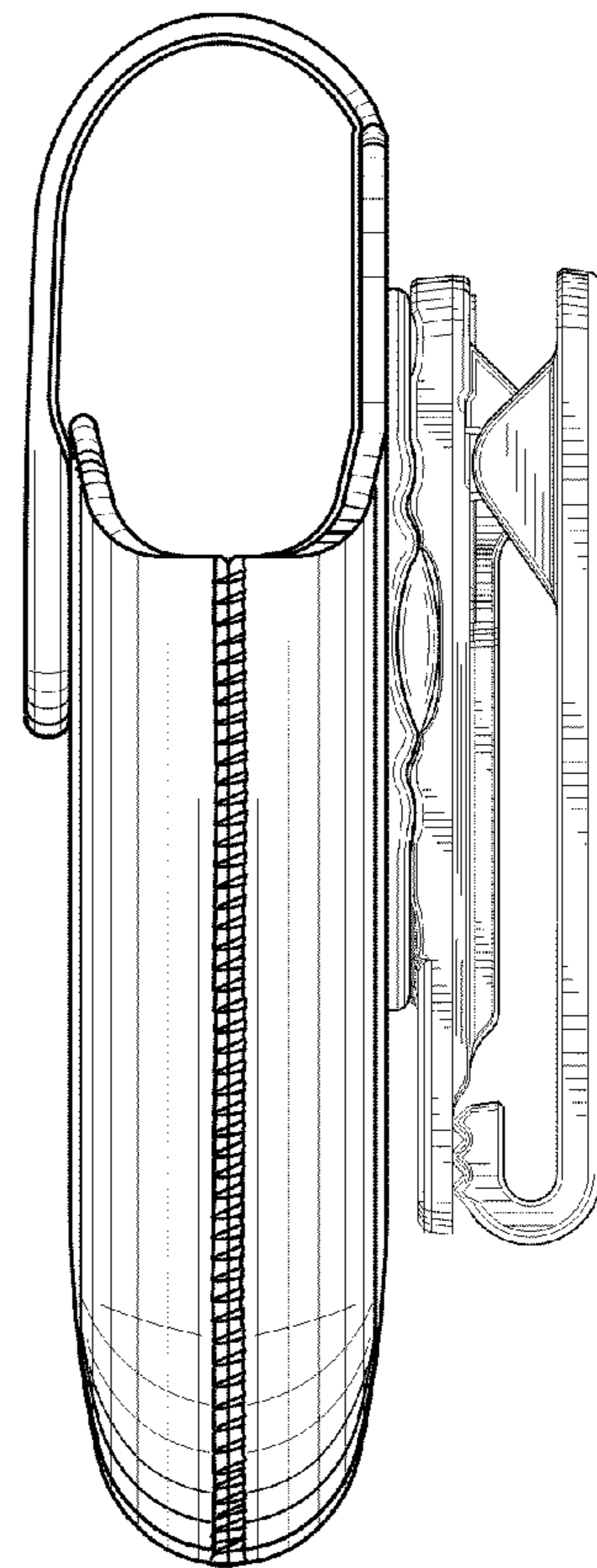


FIG.4

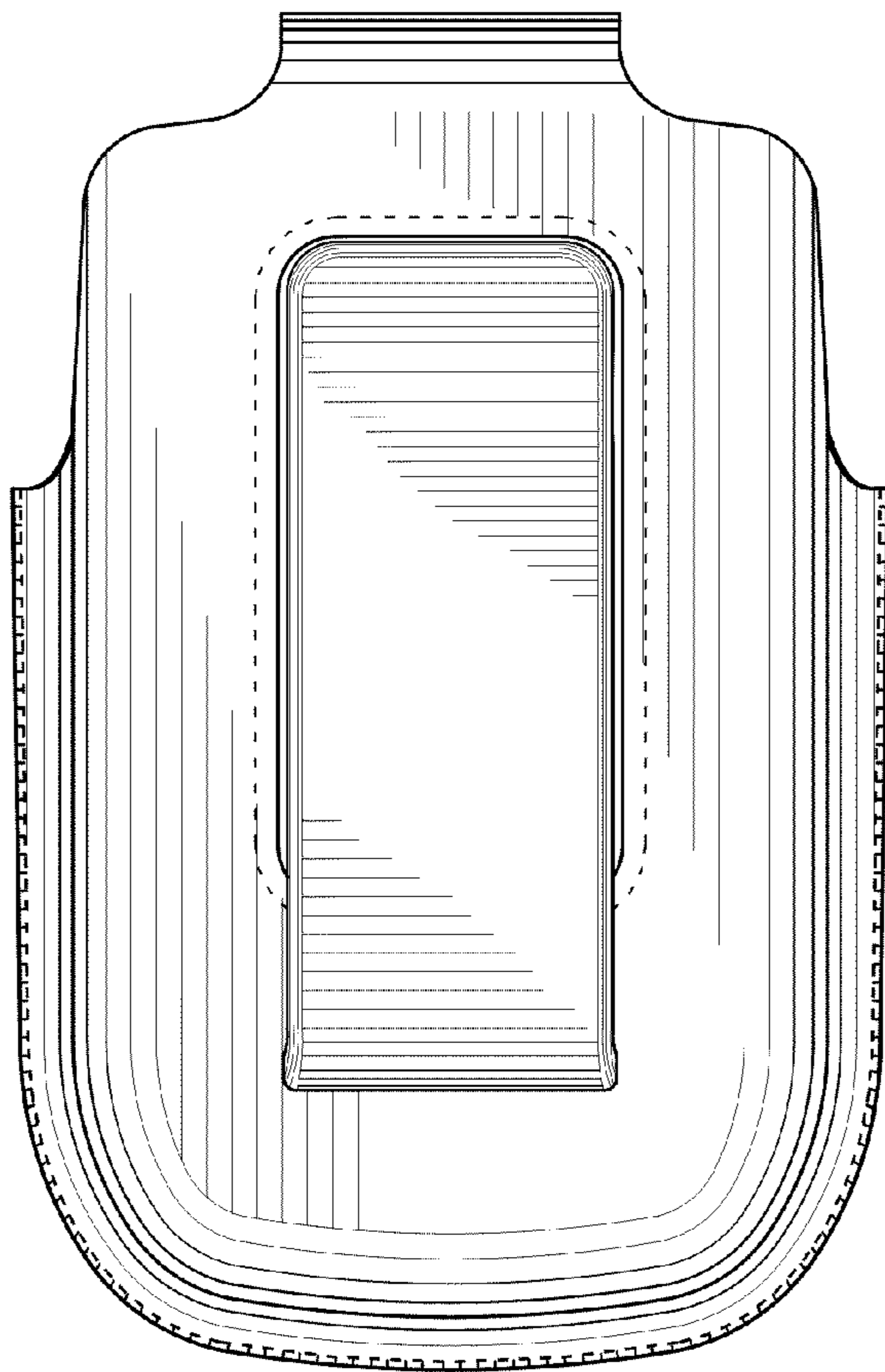


FIG. 5

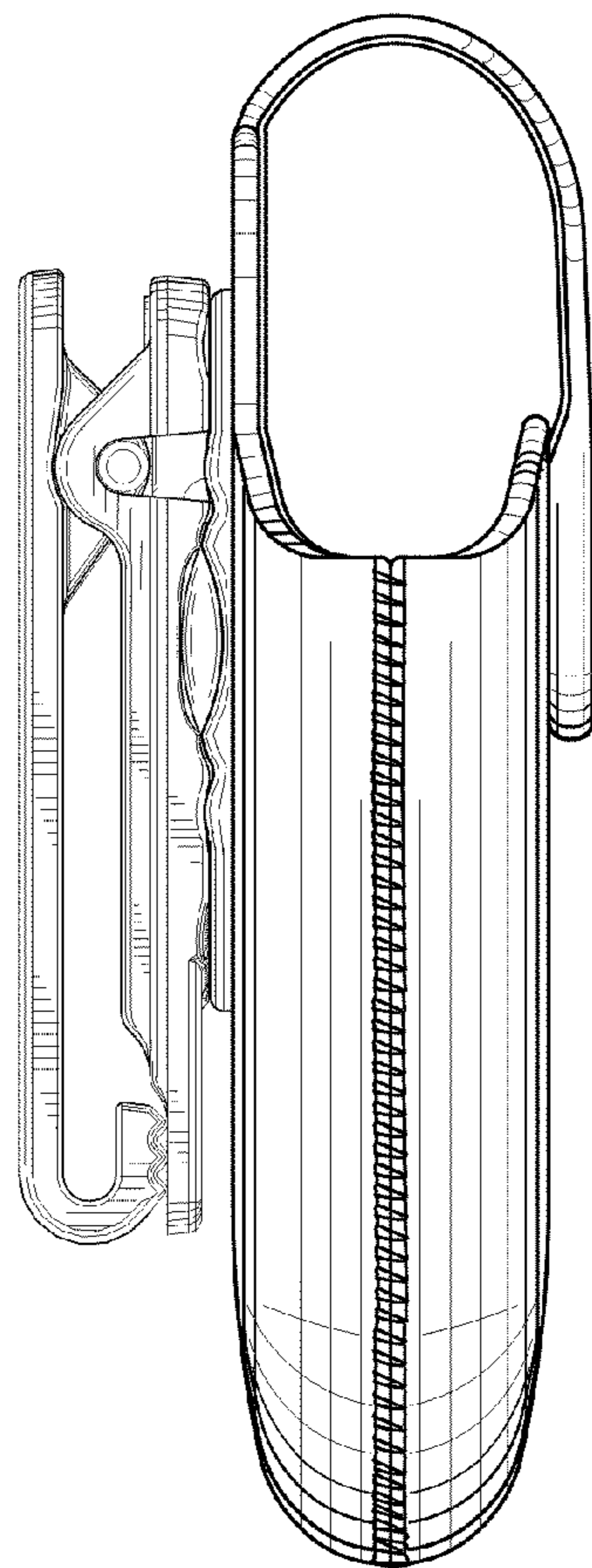


FIG. 6

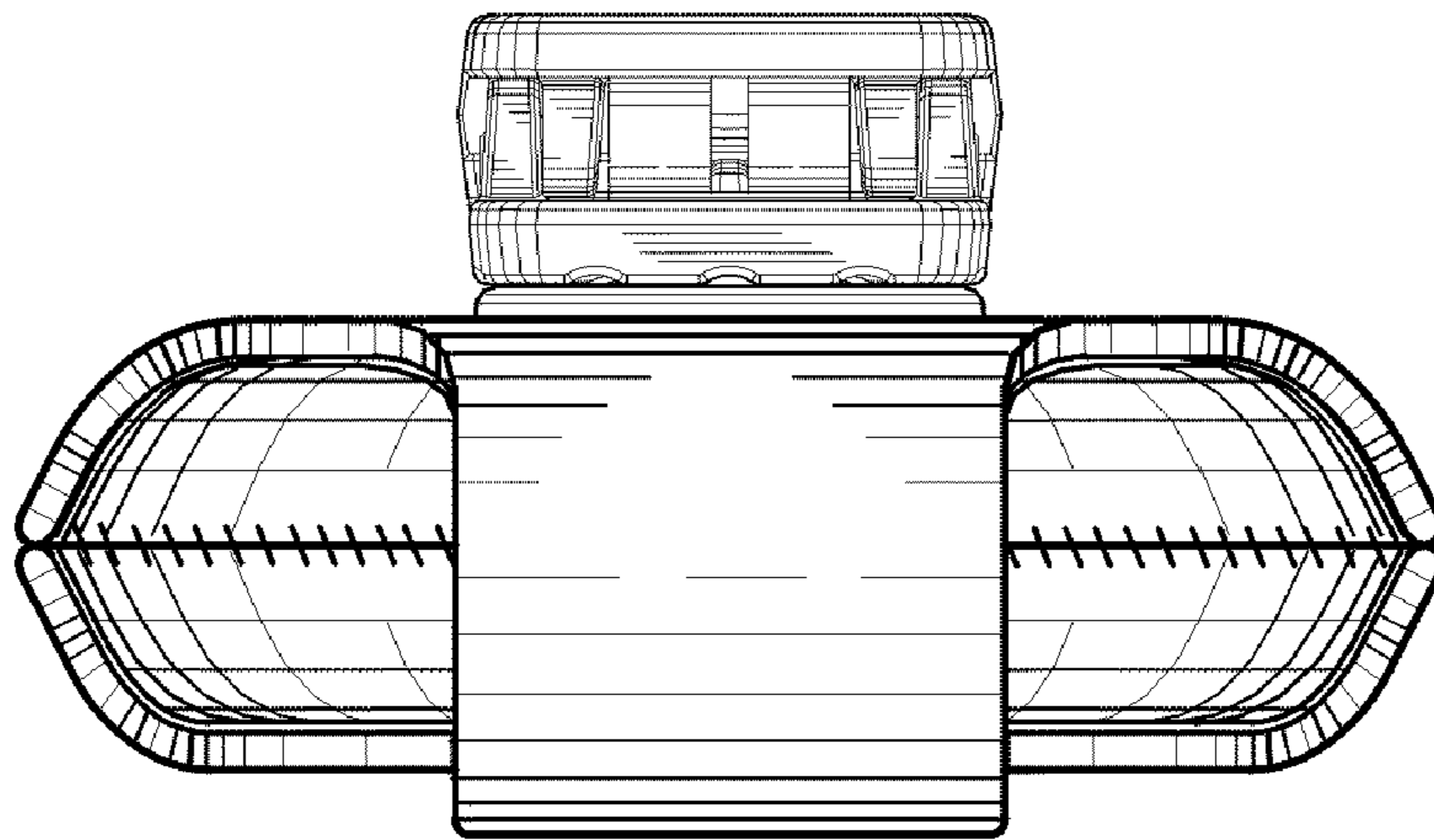


FIG. 7

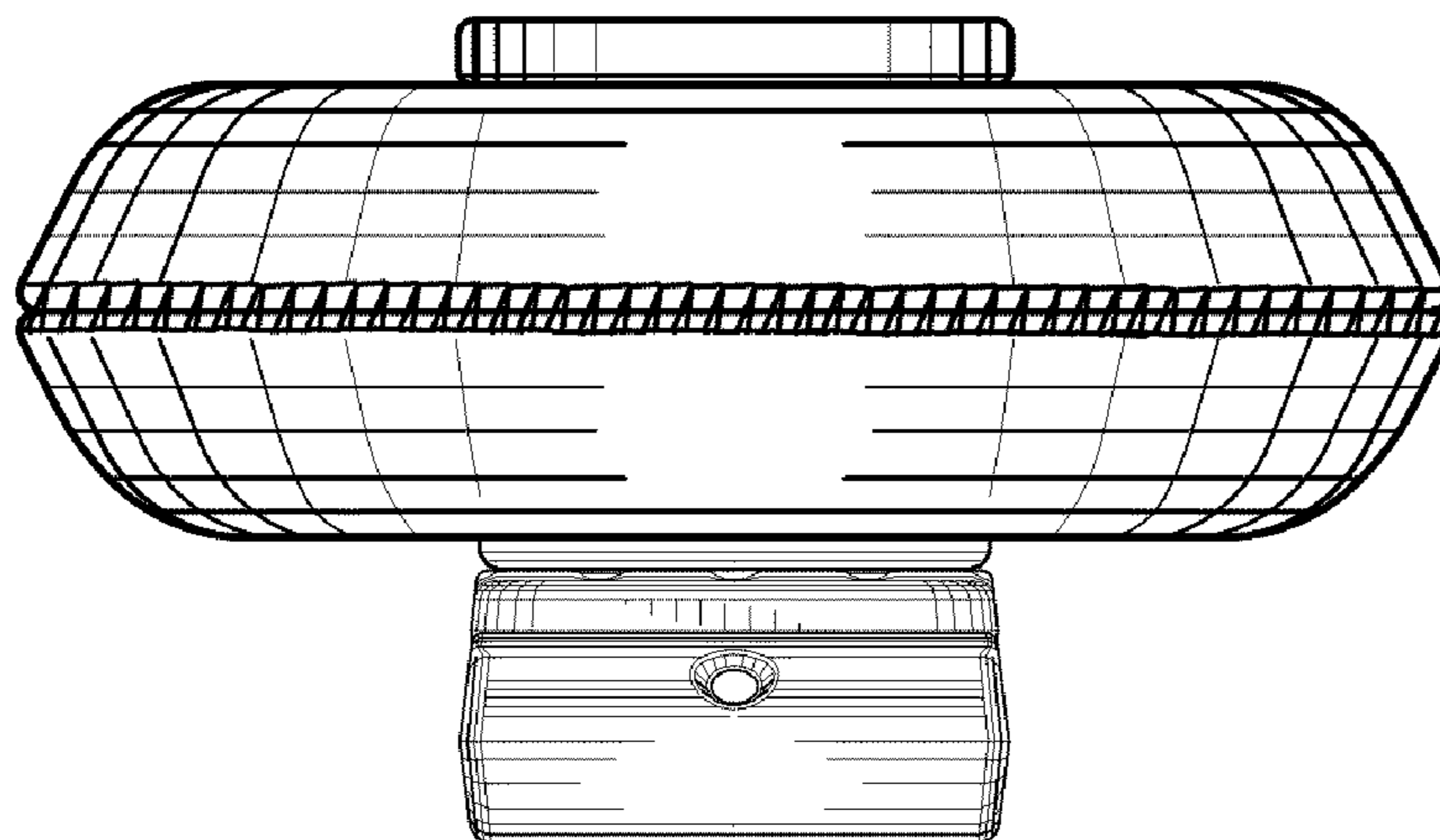


FIG. 8