

US00D648516S

(12) **United States Design Patent**
Yi

(10) **Patent No.:** **US D648,516 S**

(45) **Date of Patent:** **** Nov. 15, 2011**

(54) **SHOE BOTTOM**

(75) **Inventor:** **Lisa Yi**, New York City, NY (US)

(73) **Assignee:** **SKECHERS U.S.A., Inc. II**, Manhattan Beach, CA (US)

(**) **Term:** **14 Years**

(21) **Appl. No.:** **29/391,290**

(22) **Filed:** **May 5, 2011**

(51) **LOC (9) Cl.** **02-04**

(52) **U.S. Cl.** **D2/952; D2/951; D2/960**

(58) **Field of Classification Search** D2/902,
D2/906, 908, 916, 918, 925, 946-962, 977;
36/3 B, 22 R, 24.5, 25 R, 28, 32 R, 34 R,
36/59 C, 67 A, 103

See application file for complete search history.

D579,642 S * 11/2008 Frempong Boadu D2/961
D584,887 S 1/2009 Earle
D608,534 S * 1/2010 Bullard D2/947
D613,489 S * 4/2010 Horton D2/957
7,818,895 B2 * 10/2010 Boone et al. 36/3 R
D626,320 S * 11/2010 Anderson D2/957
D630,420 S * 1/2011 Truelsen D2/951
D634,108 S 3/2011 Tzenos
2005/0217150 A1 * 10/2005 Hoffer et al. 36/59 R

* cited by examiner

Primary Examiner — T. Chase Nelson

(74) *Attorney, Agent, or Firm* — Marshall A. Lerner; Marvin H. Kleinberg; Kleinberg & Lerner, LLP

(57) **CLAIM**

The ornamental design for a shoe bottom, as shown and described.

DESCRIPTION

FIG. 1 is a perspective view of a shoe bottom embodying my new design.

FIG. 2 is a bottom plan view thereof;

FIG. 3 is a left side view thereof;

FIG. 4 is a right side view thereof;

FIG. 5 is a rear elevation view thereof;

FIG. 6 is a front elevation view thereof; and,

FIG. 7 is a top plan view thereof.

Broken lines showing the remainder of the shoe in the figures are for illustrative purposes only and form no part of the claimed invention.

1 Claim, 6 Drawing Sheets

(56) **References Cited**

U.S. PATENT DOCUMENTS

D55,115 S	5/1920	Barney	
2,370,963 A	3/1945	Issaly	
D388,314 S *	12/1997	Tresser	D2/954
D415,610 S *	10/1999	Cahill	D2/960
D450,914 S *	11/2001	Wilson	D2/959
D472,696 S	4/2003	Magro	
D508,307 S *	8/2005	Burg et al.	D2/953
D513,836 S	1/2006	Magro et al.	
D514,288 S	2/2006	Burg	
D541,021 S	4/2007	McClaskie	
7,204,044 B2 *	4/2007	Hoffer et al.	36/116
D546,033 S *	7/2007	Matis et al.	D2/952
D573,780 S *	7/2008	Davis et al.	D2/960

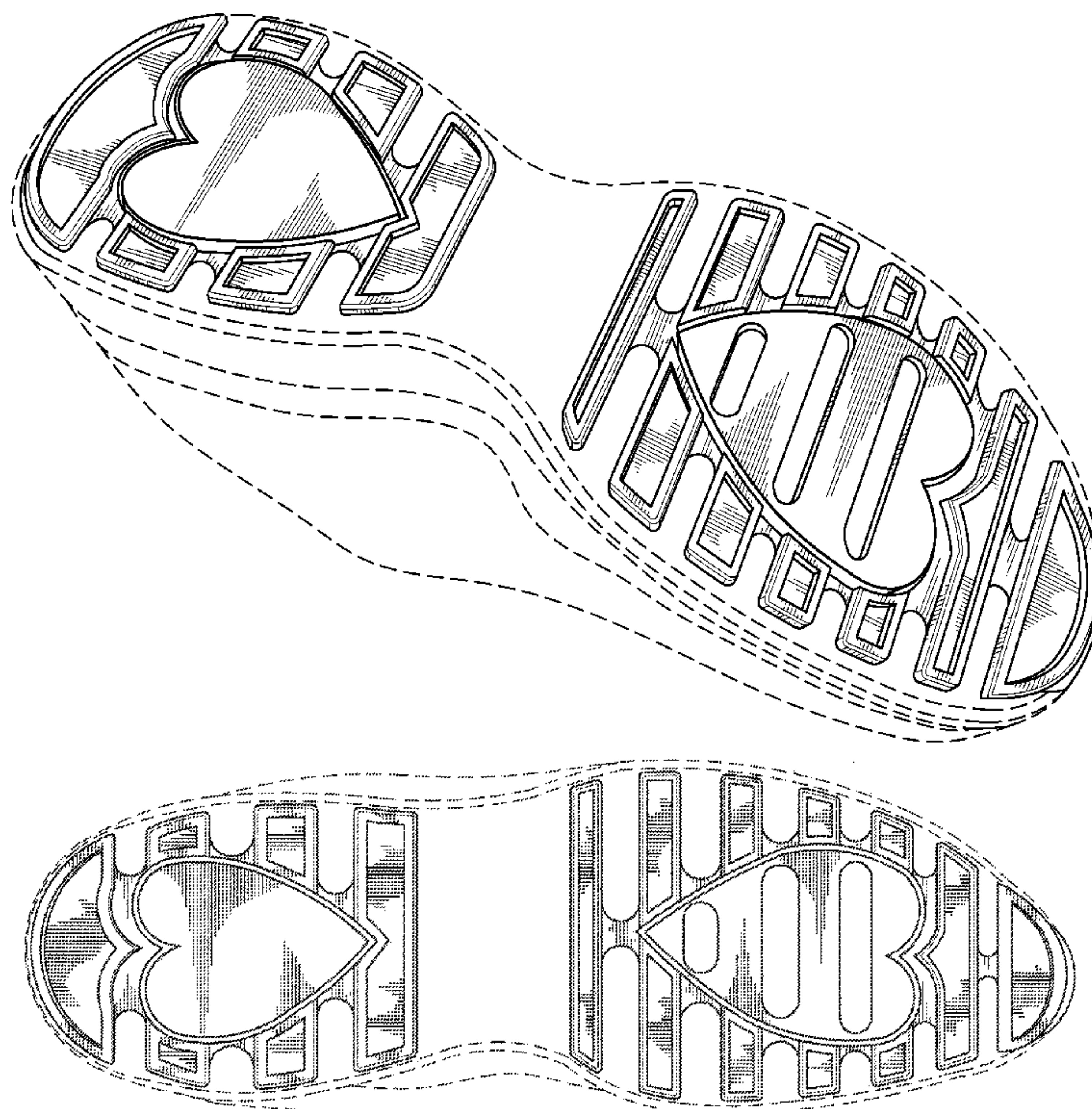
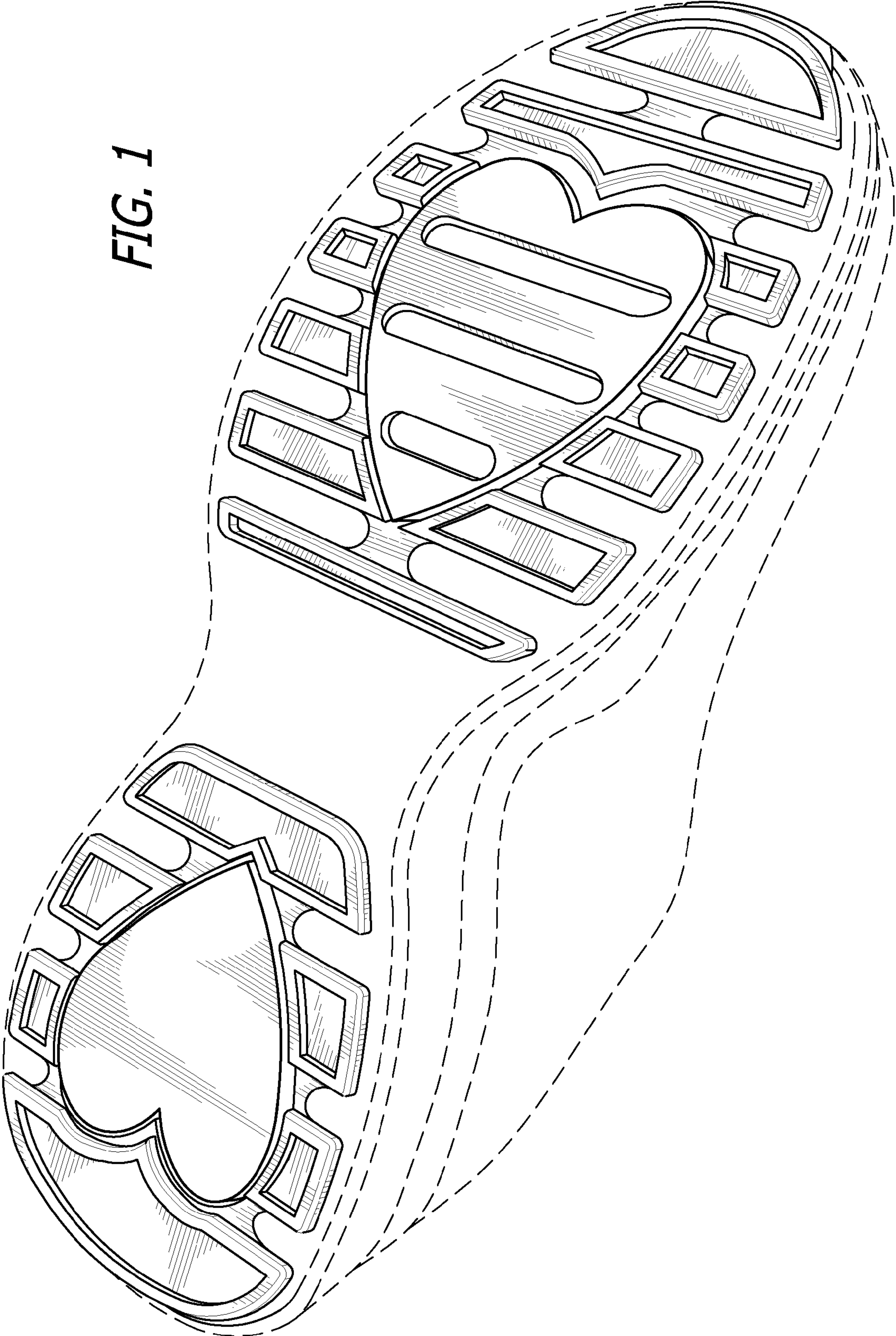


FIG. 1



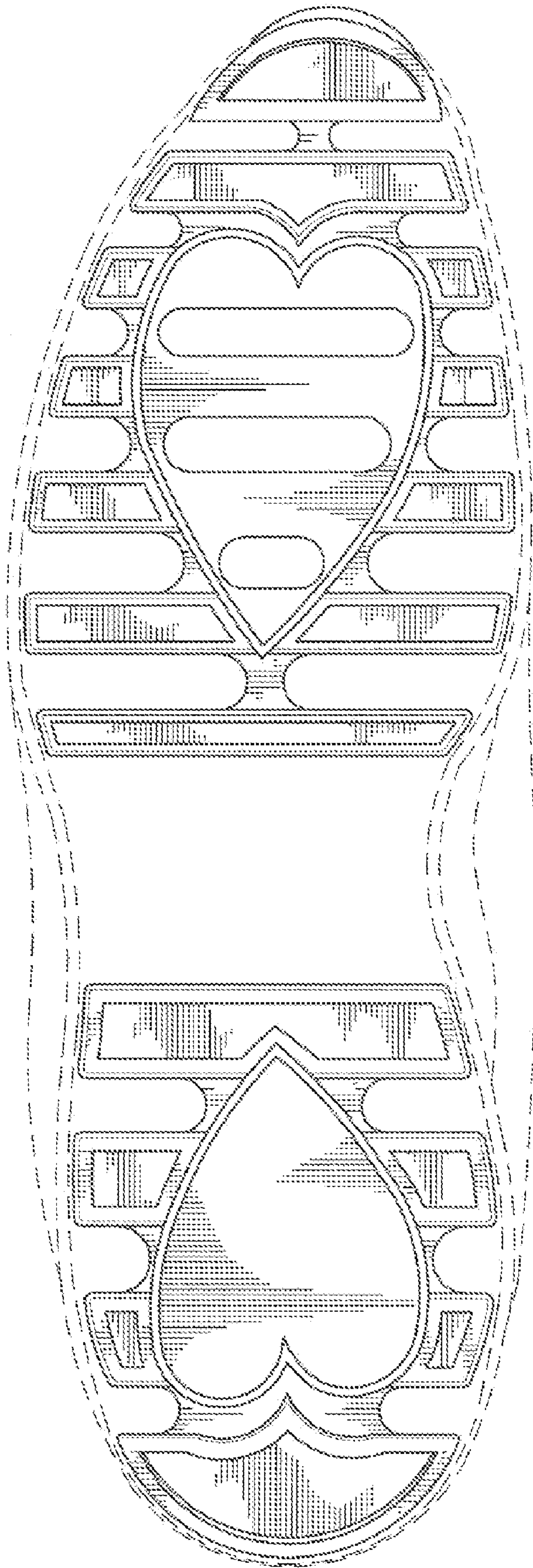


FIG. 2

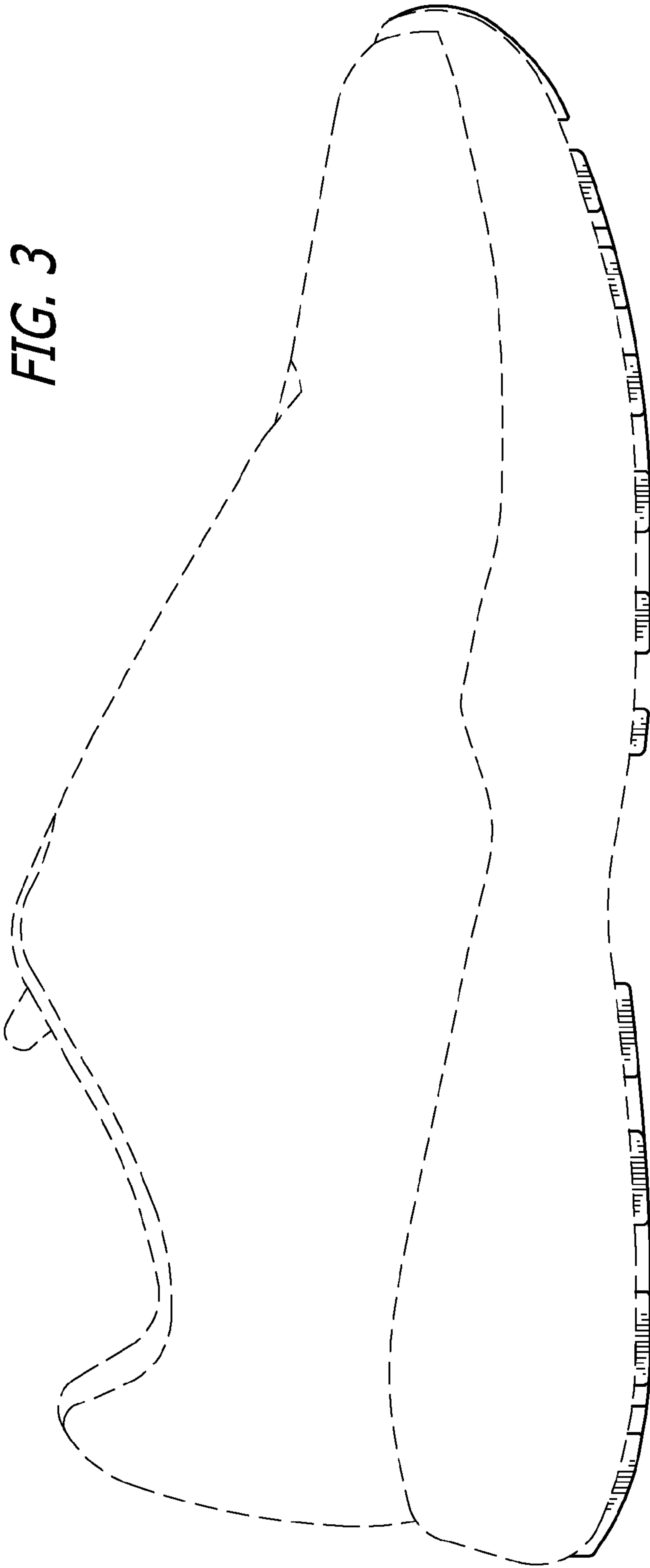


FIG. 3

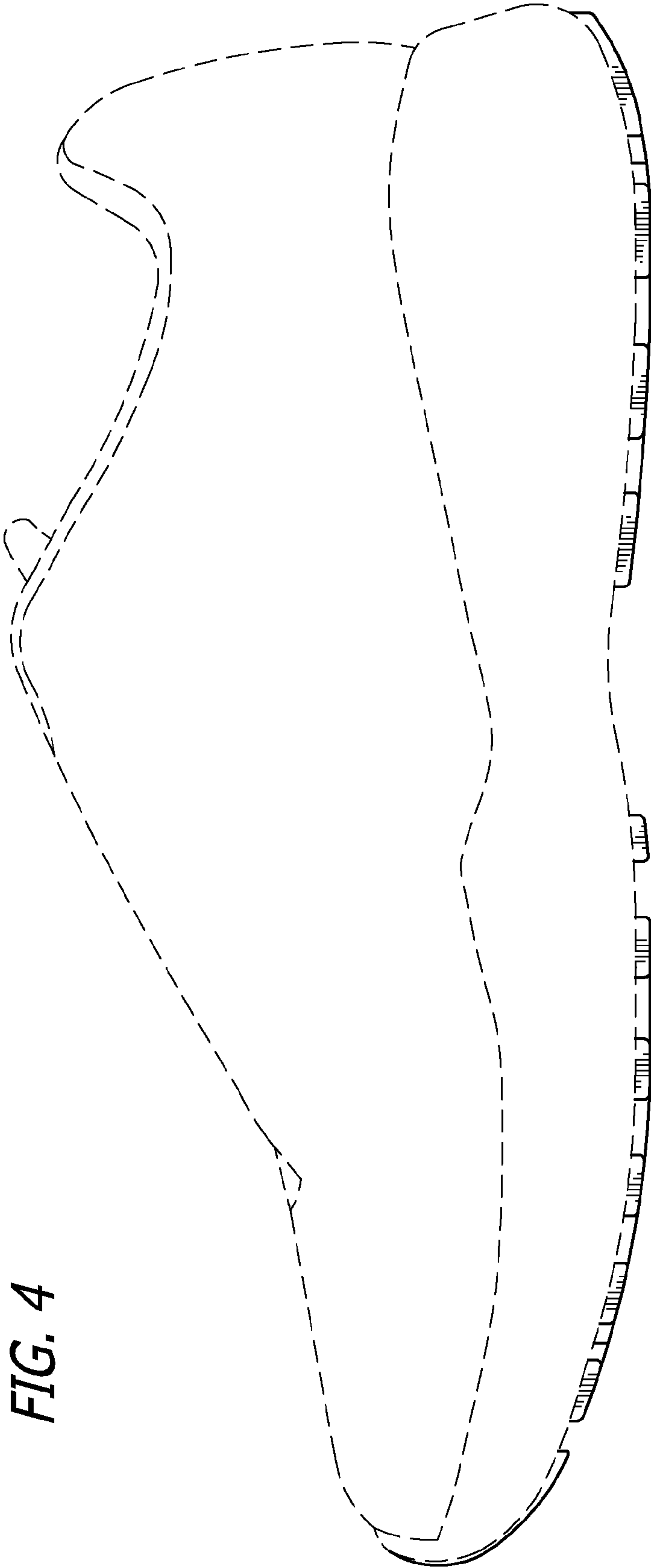


FIG. 4

FIG. 6

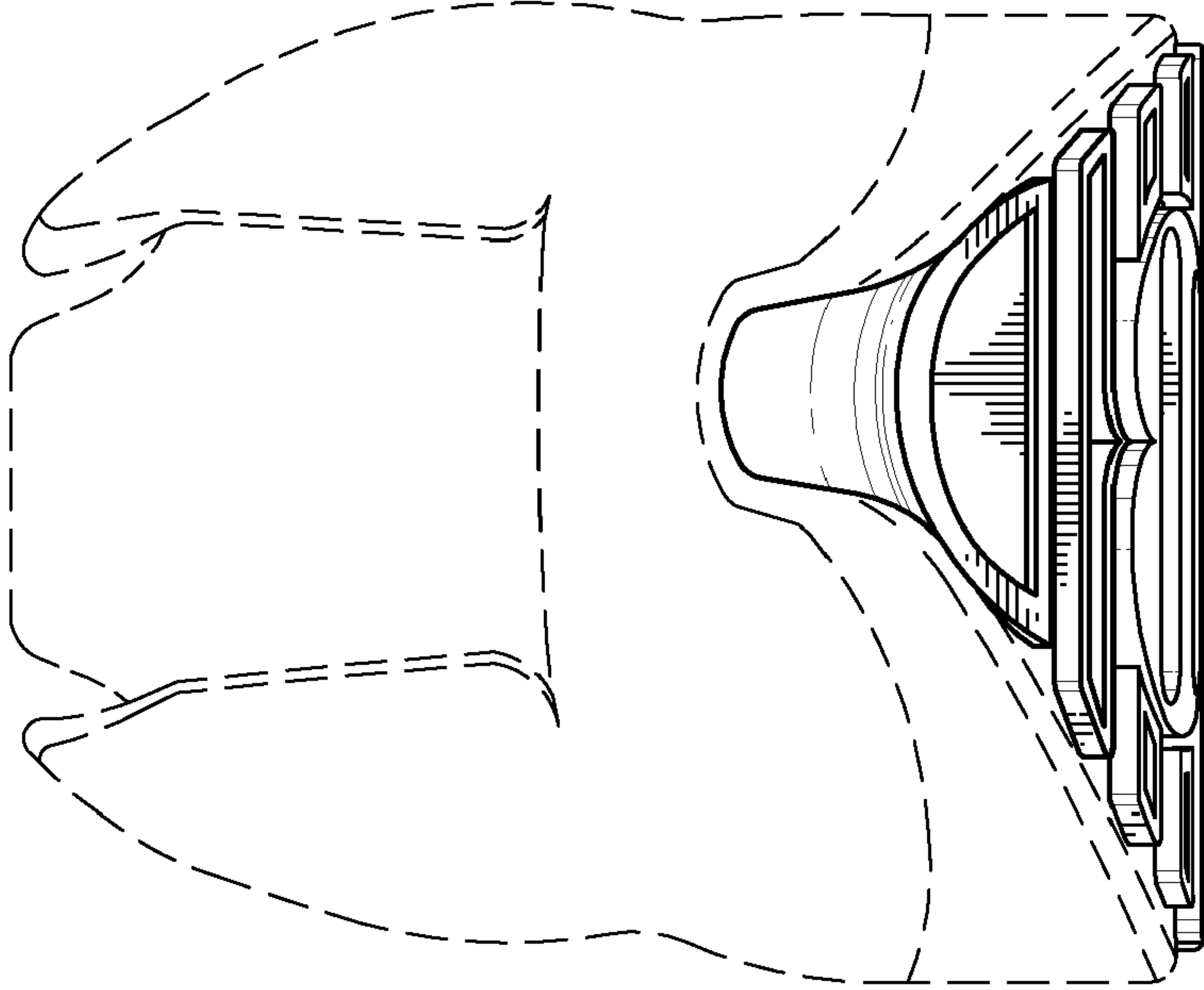
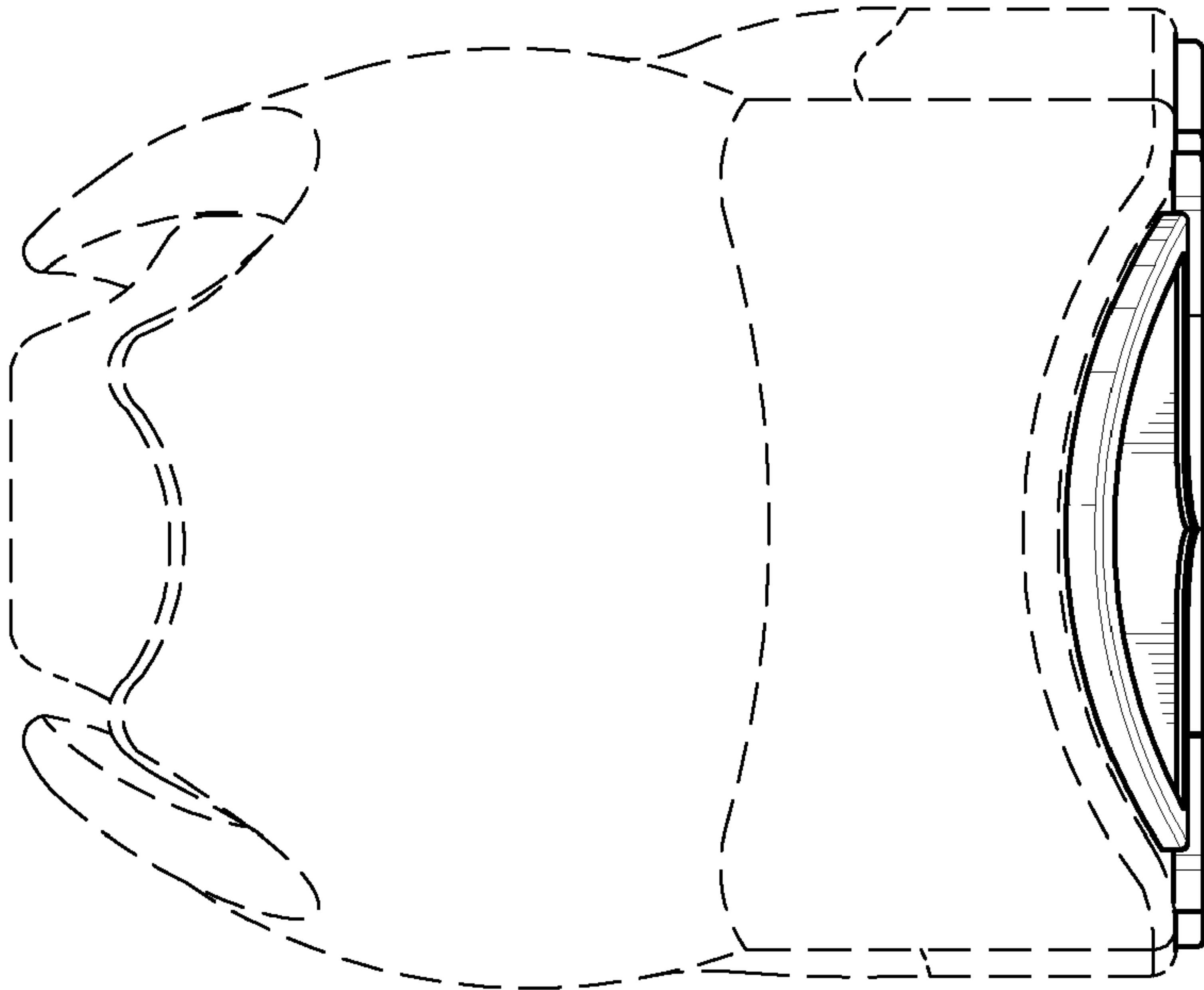


FIG. 5



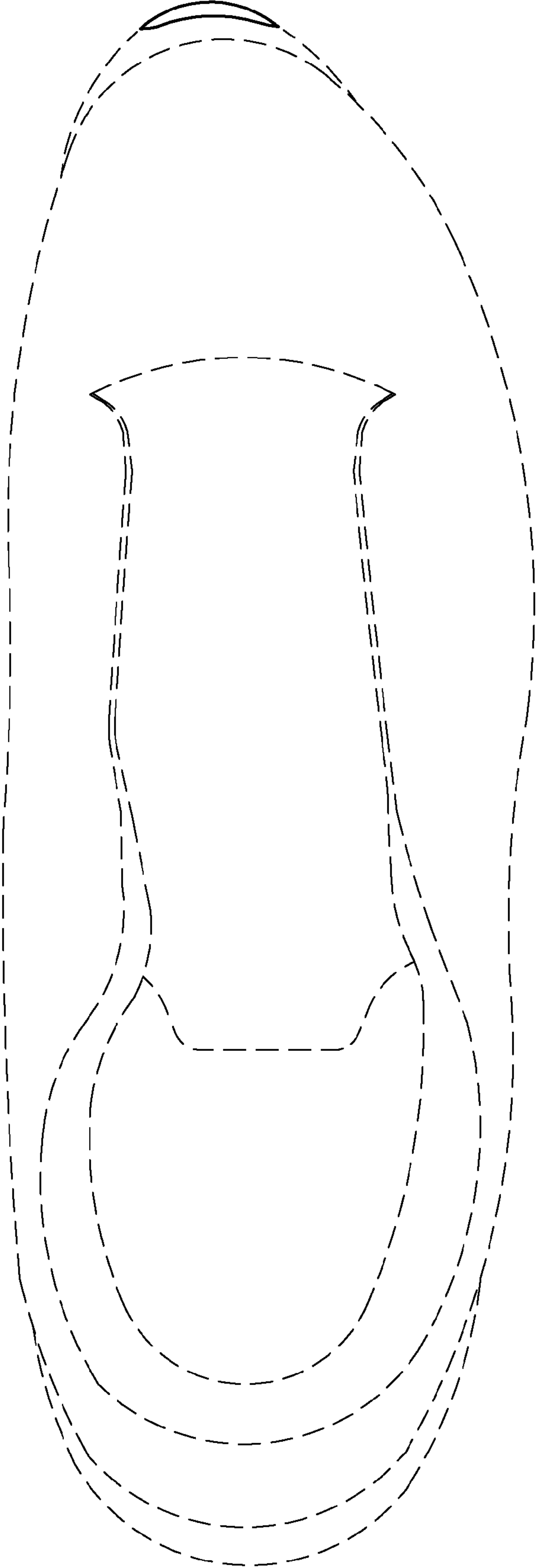


FIG. 7