



US00D648503S

(12) **United States Design Patent**
Henry et al.

(10) **Patent No.:** **US D648,503 S**

(45) **Date of Patent:** **** Nov. 8, 2011**

(54) **SIDE WALL COMBINATION FOR A BEAM**

(75) Inventors: **Brian D. Henry**, North Lawrence, OH (US); **Vincent L. Haley**, Lawrence, MI (US)

(73) Assignee: **Miller Weldmaster Corporation**, Navarre, OH (US)

(**) Term: **14 Years**

(21) Appl. No.: **29/390,276**

(22) Filed: **Apr. 22, 2011**

Related U.S. Application Data

(62) Division of application No. 29/345,213, filed on Oct. 12, 2009.

(51) **LOC (9) Cl.** **12-05**

(52) **U.S. Cl.** **D34/29**

(58) **Field of Classification Search** D25/138;
D34/28, 29, 35, 39; 198/860.1, 860.3, 861.1,
198/860.2

See application file for complete search history.

(56) **References Cited**

U.S. PATENT DOCUMENTS

2,430,282 A * 11/1947 Ensinger 198/547
4,930,623 A * 6/1990 Johnson et al. 198/465.1

4,987,992 A * 1/1991 Pflieger 198/475.1
5,074,744 A * 12/1991 Mastak 414/791.7
D325,277 S * 4/1992 Abbestam et al. D34/35
D359,149 S * 6/1995 Nozaki D34/29
D402,781 S * 12/1998 Helmsie et al. D34/29
D430,378 S * 8/2000 Worsoe D34/38
D561,421 S * 2/2008 Cheng et al. D34/29
D582,574 S 12/2008 Mackenzie
2008/0210529 A1 * 9/2008 Hau et al. 198/860.1

* cited by examiner

Primary Examiner — Doris Clark

(74) *Attorney, Agent, or Firm* — Sand & Sebolt

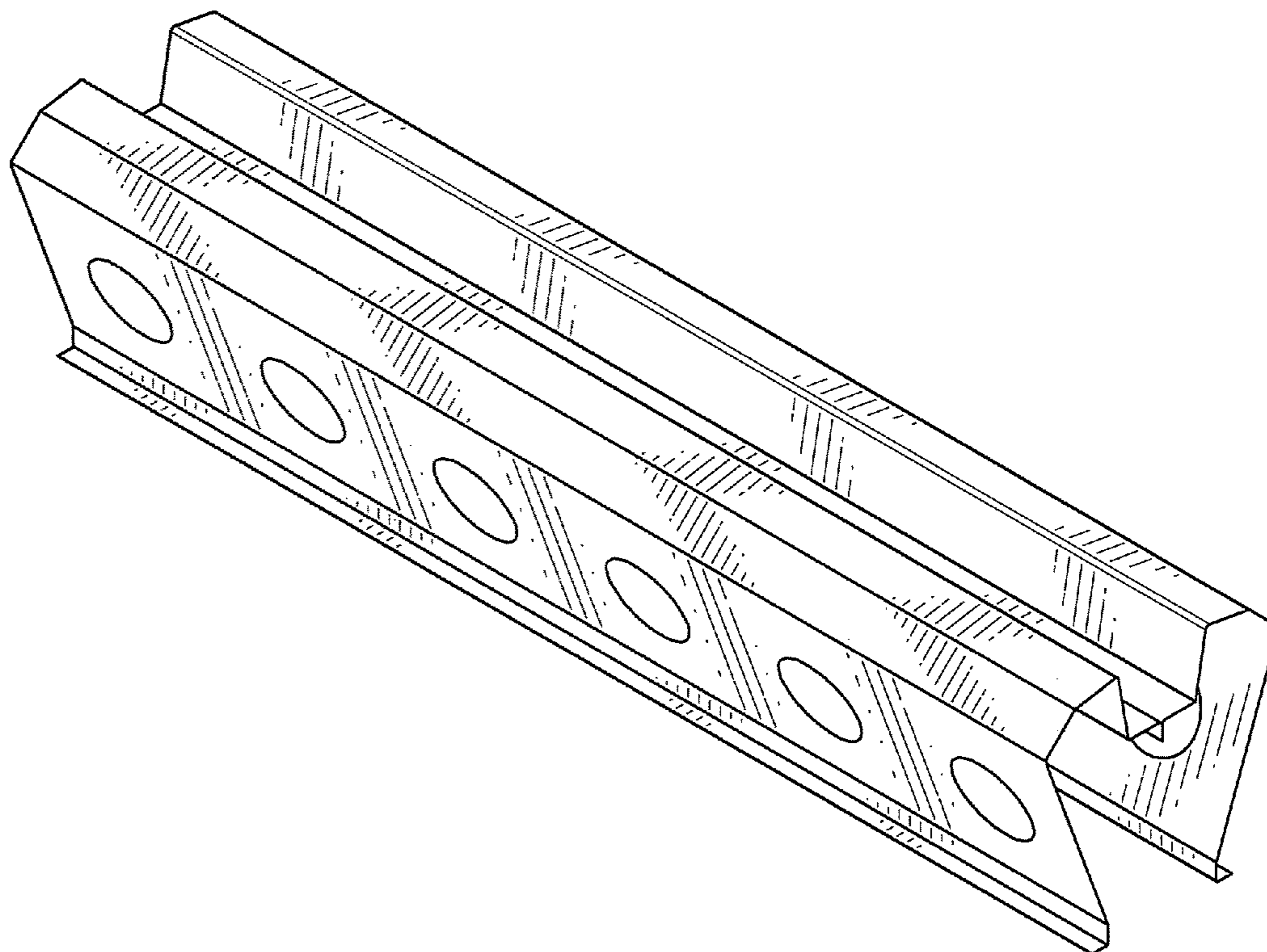
(57) **CLAIM**

The ornamental design for a side wall combination for a beam, as shown and described.

DESCRIPTION

FIG. 1 is a perspective view of a side wall combination for a beam in accordance with the present design;
FIG. 2 is a front view thereof;
FIG. 3 is a back view thereof;
FIG. 4 is a top view thereof;
FIG. 5 is a bottom view thereof; and,
FIG. 6 is a first end view thereof. The second end view is substantially identical to the first end view.

1 Claim, 4 Drawing Sheets



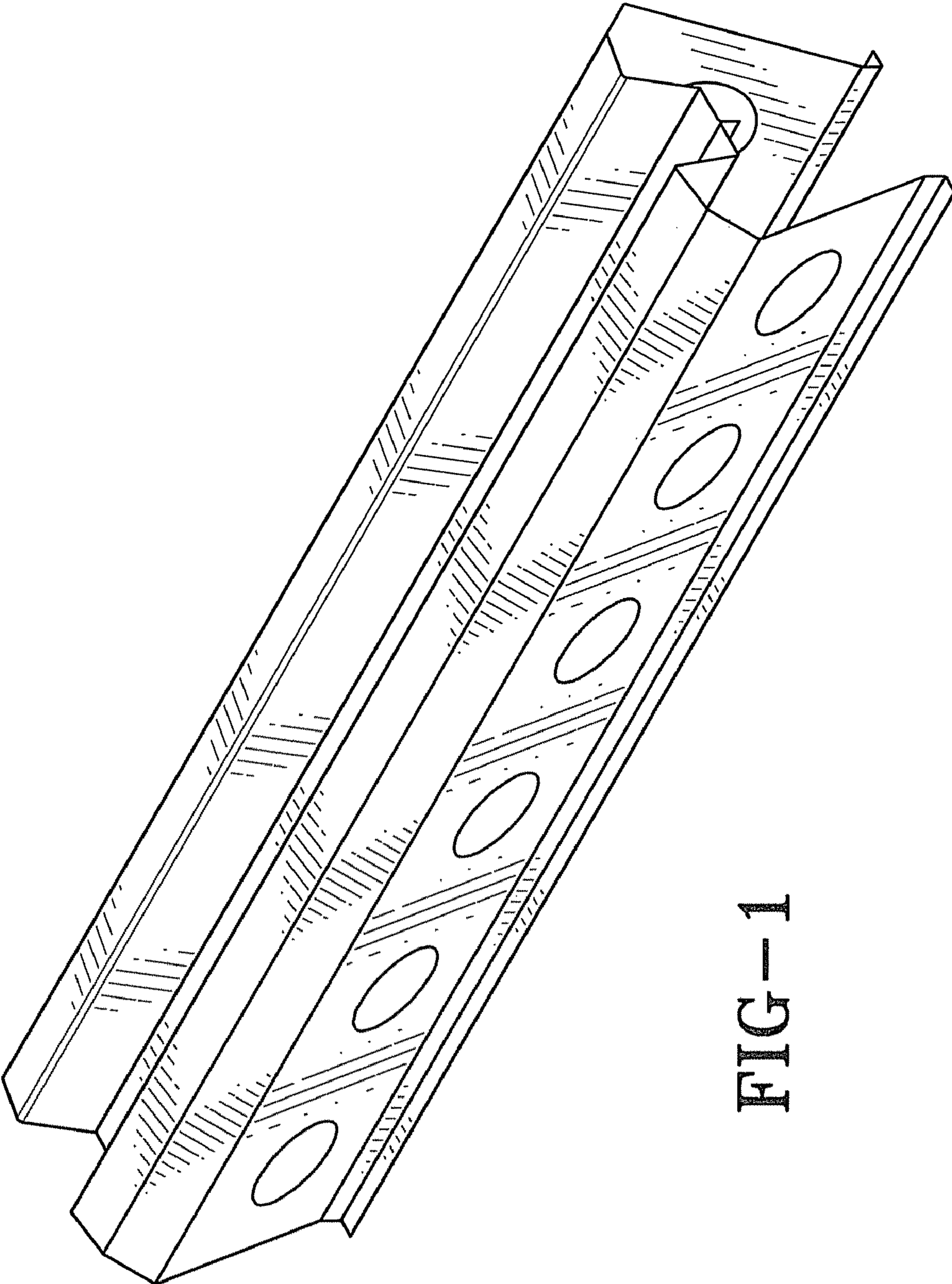


FIG-1

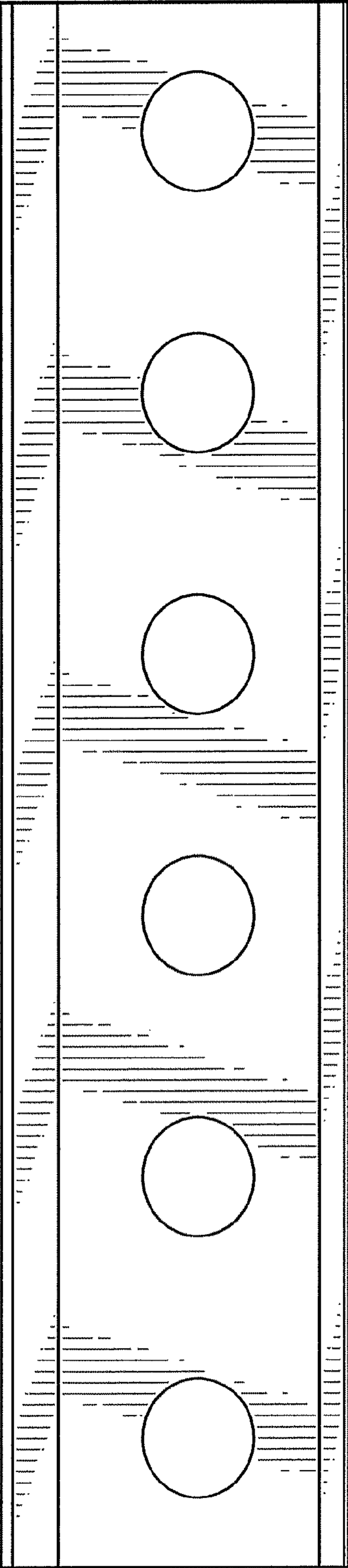


FIG-2

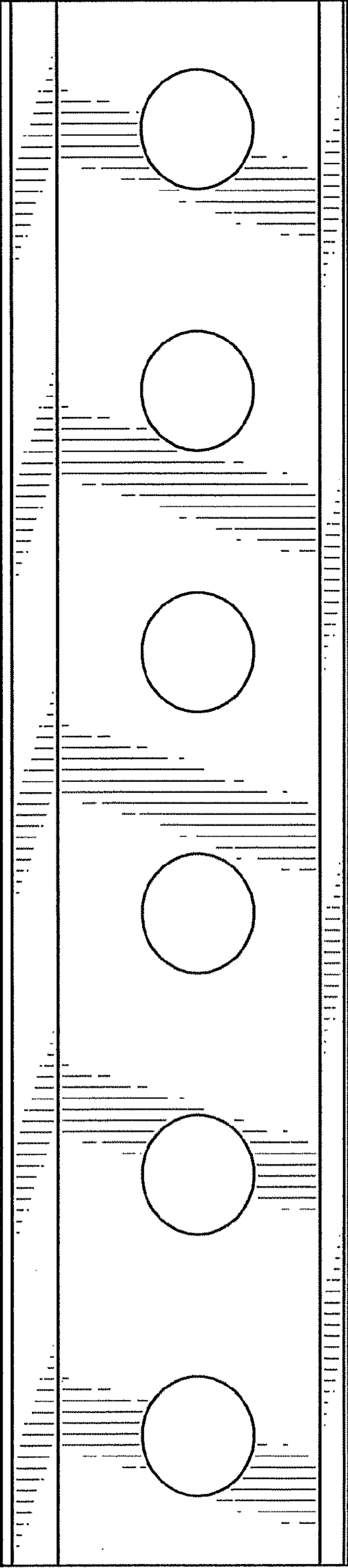


FIG-3

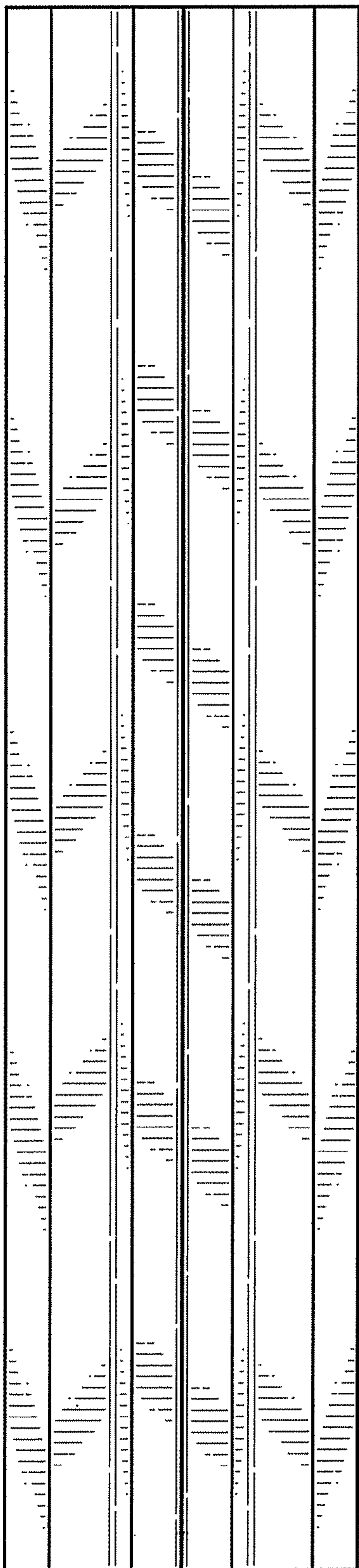


FIG-4

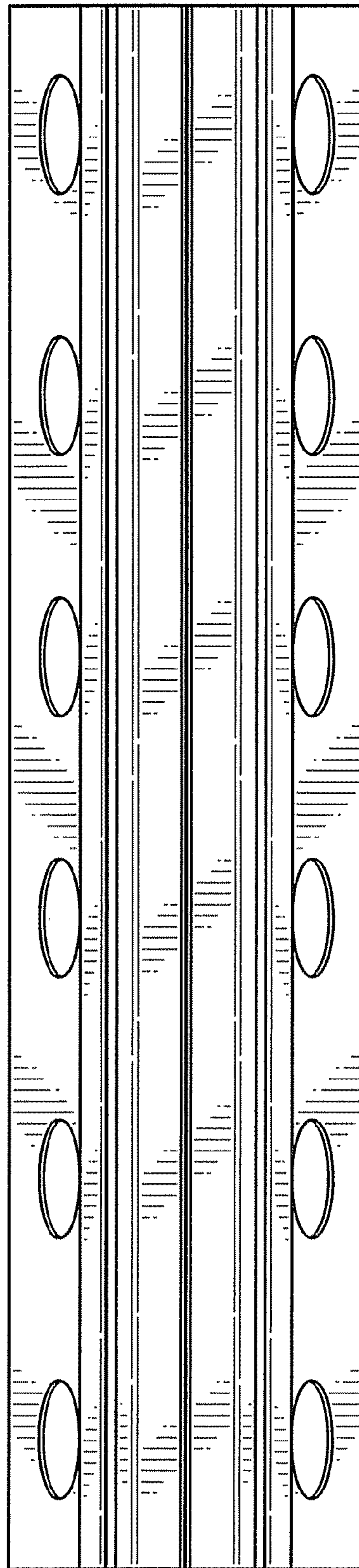


FIG-5

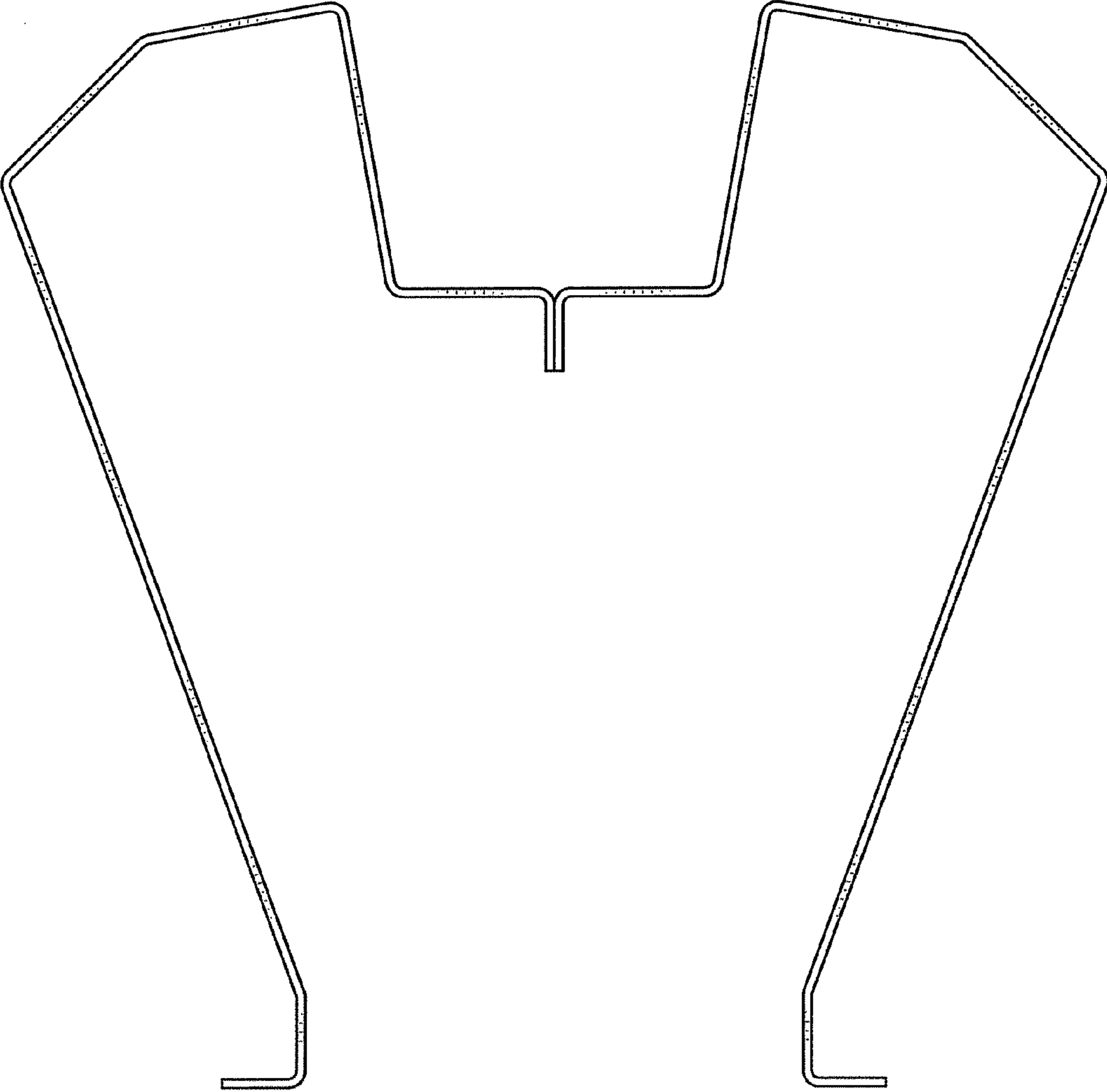


FIG-6