



US00D648501S

(12) **United States Design Patent**
Giampavolo et al.

(10) **Patent No.:** **US D648,501 S**
(45) **Date of Patent:** **** Nov. 8, 2011**

(54) **SHOPPING CART INFANT SEAT**

FOREIGN PATENT DOCUMENTS

WO WO 97/45312 12/1997

(75) Inventors: **Paul Giampavolo**, Newton, NJ (US);
Christopher M. Johnson, Glen Allen,
VA (US)

OTHER PUBLICATIONS

(73) Assignee: **Safe-Strap Company, Inc.**, Wharton, NJ
(US)

“Shopping Trolley with “Comfort” Baby Chair”, Wanzl Metallwarenfabrik GmbH <http://www.wanzl.com>: products: Self-Service Systems: Shopping Trolleys: Service Trolleys.
“Shopping Trolley with “Trend” Baby Chair”, Wanzl Metallwarenfabrik GmbH <http://www.wanzl.com>: products: Self-Service Systems: Shopping Trolleys: Service Trolleys.
“Baby/child service”, Wanzl Metallwarenfabrik GmbH <http://www.wanzl.com>: products: Self-Service Systems: Shopping Trolleys: Service Trolleys.

(**) Term: **14 Years**

* cited by examiner

(21) Appl. No.: **29/366,870**

(22) Filed: **Jul. 30, 2010**

Primary Examiner — Cynthia Ramirez

(51) **LOC (9) Cl.** **12-02**

(52) **U.S. Cl.** **D34/27**

(58) **Field of Classification Search** D34/27,
D34/14, 20, 17; 280/33.993; 297/256.17,
297/256.13, 250.1, 410, 391, 183.1, 452.25,
297/452.24, 452.23, 452.34; D6/333

(74) *Attorney, Agent, or Firm* — Weingarten, Schurgin,
Gagnebin & Lebovici LLP

See application file for complete search history.

(57) **CLAIM**

The ornamental design for a shopping cart infant seat, as shown and described.

(56) **References Cited**

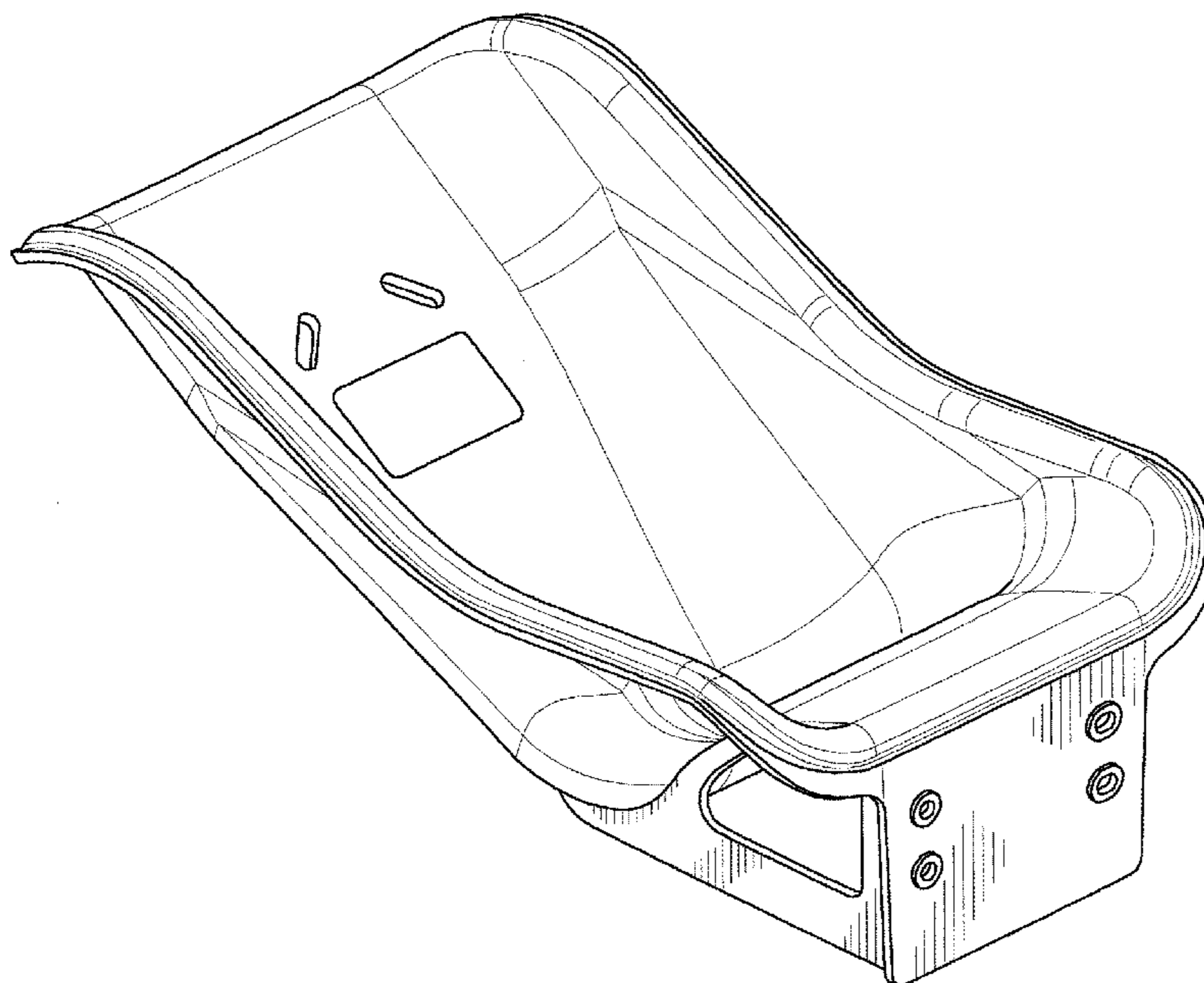
DESCRIPTION

U.S. PATENT DOCUMENTS

D256,780	S	*	9/1980	Williams et al.	D10/6
D264,528	S	*	5/1982	Nakao et al.	D6/333
4,598,945	A	*	7/1986	Hopkins	297/256.17
4,834,404	A	*	5/1989	Wood	280/33.993
4,958,887	A	*	9/1990	Meeker	297/256.17
5,056,865	A	*	10/1991	Sedlack	297/256.17
5,277,473	A	*	1/1994	Kelly et al.	297/250.1
5,370,441	A	*	12/1994	Chuang	297/250.1
D360,393	S	*	7/1995	Lewandowski	D12/129
D404,880	S	*	1/1999	Chipperfield	D34/27
5,927,806	A	*	7/1999	Ohlson	297/256.17
6,464,238	B2	*	10/2002	Reiland et al.	280/33.993
7,658,399	B2	*	2/2010	Van Dijk	280/642

FIG. 1 is a top-front perspective view of a shopping cart infant seat according to my new design;
FIG. 2 is a side elevation view thereof, the opposite side elevation view being a mirror image;
FIG. 3 is a top plan view thereof;
FIG. 4 is a bottom plan view thereof;
FIG. 5 is a front elevation view thereof;
FIG. 6 is a rear elevation view thereof;
FIG. 7 is a top-rear perspective view thereof;
FIG. 8 is a bottom-rear perspective view thereof; and,
FIG. 9 is a bottom-front perspective view thereof.

1 Claim, 7 Drawing Sheets



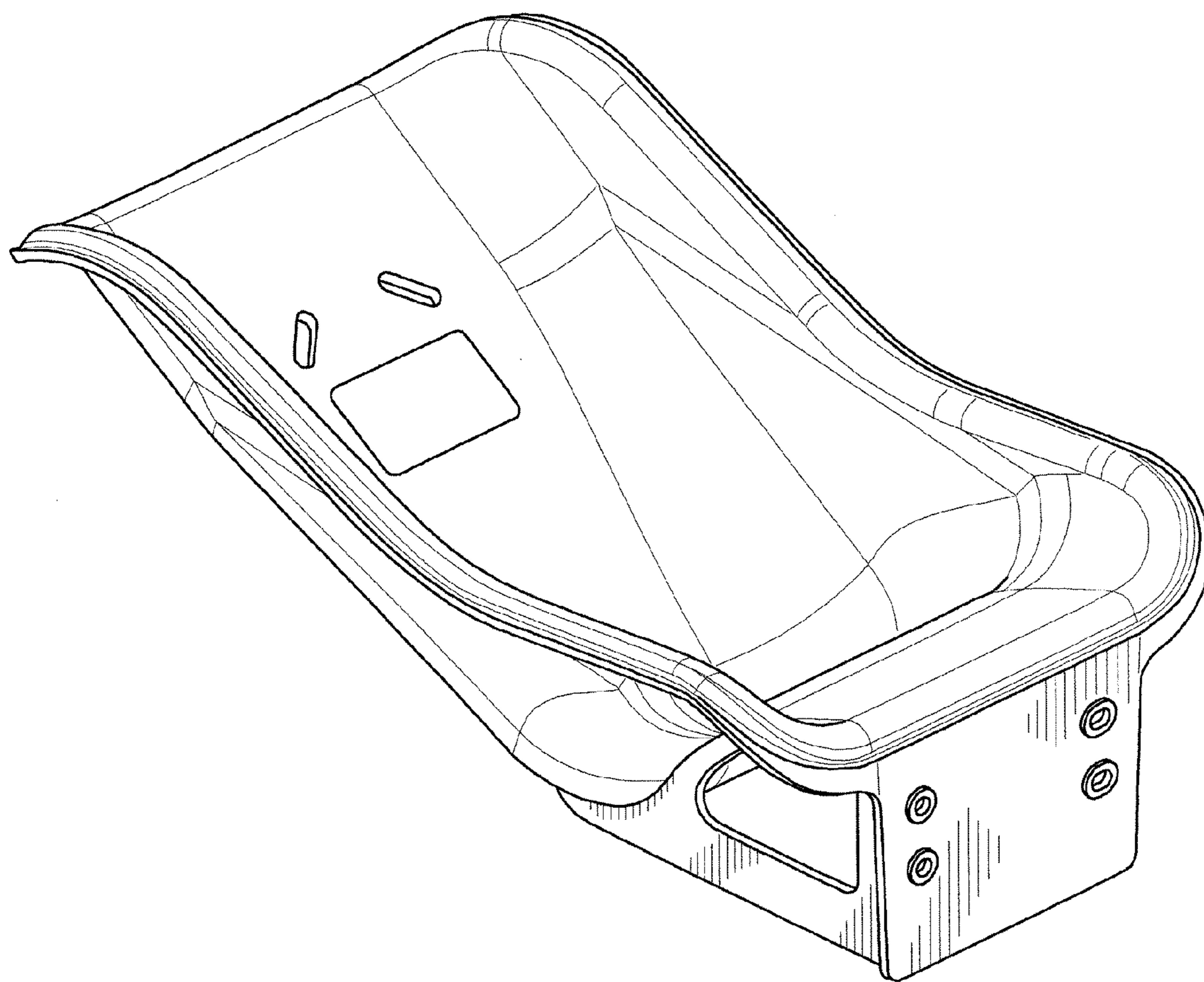


FIG. 1

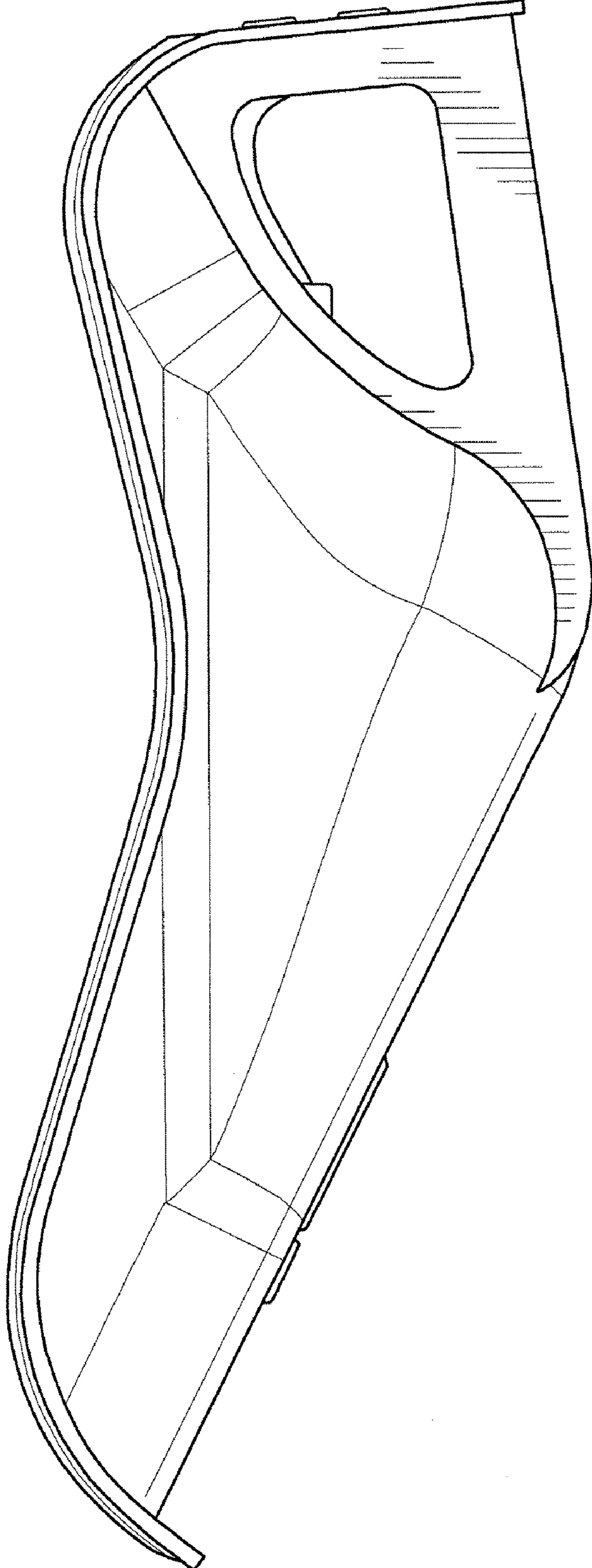


FIG. 2

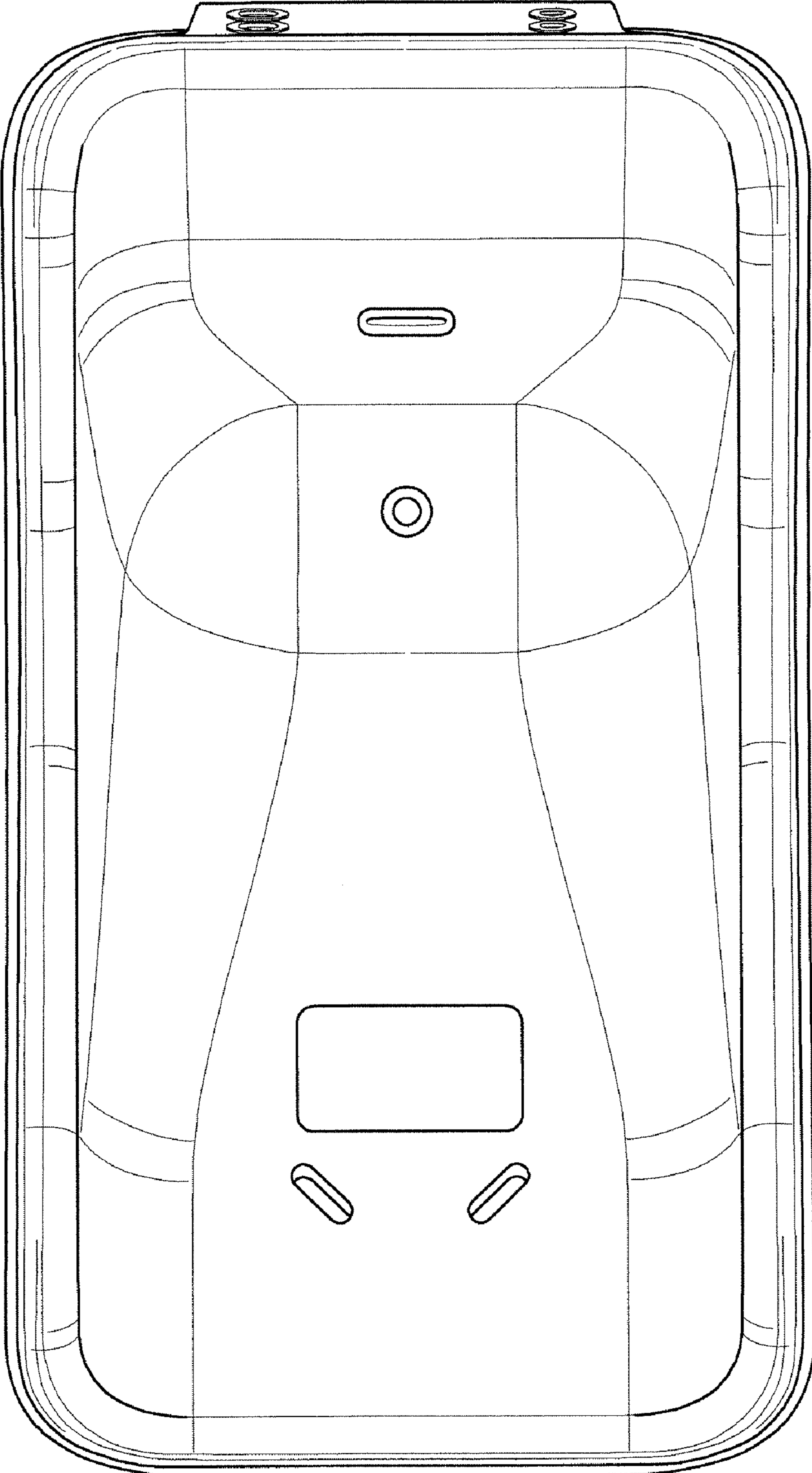


FIG. 3

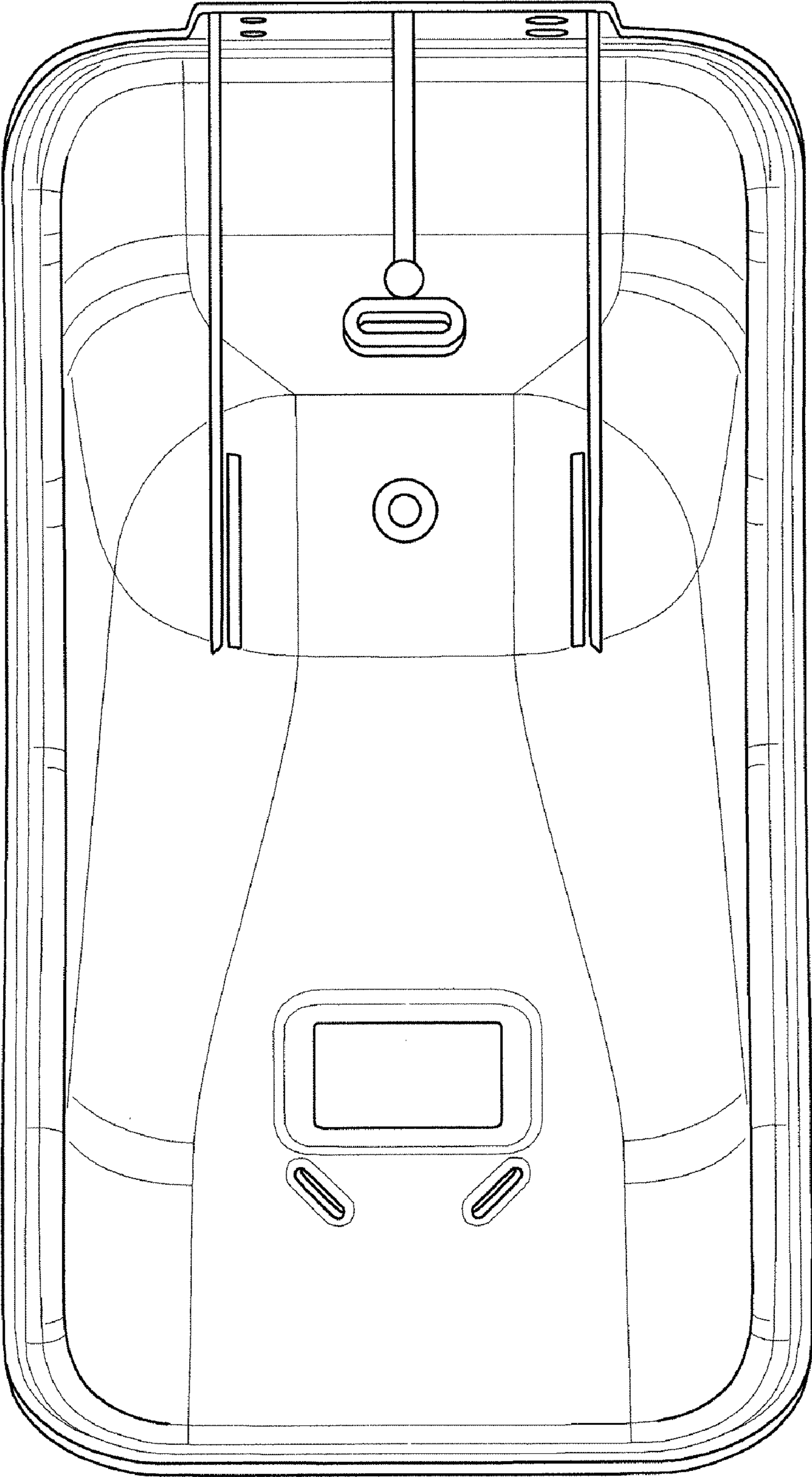


FIG. 4

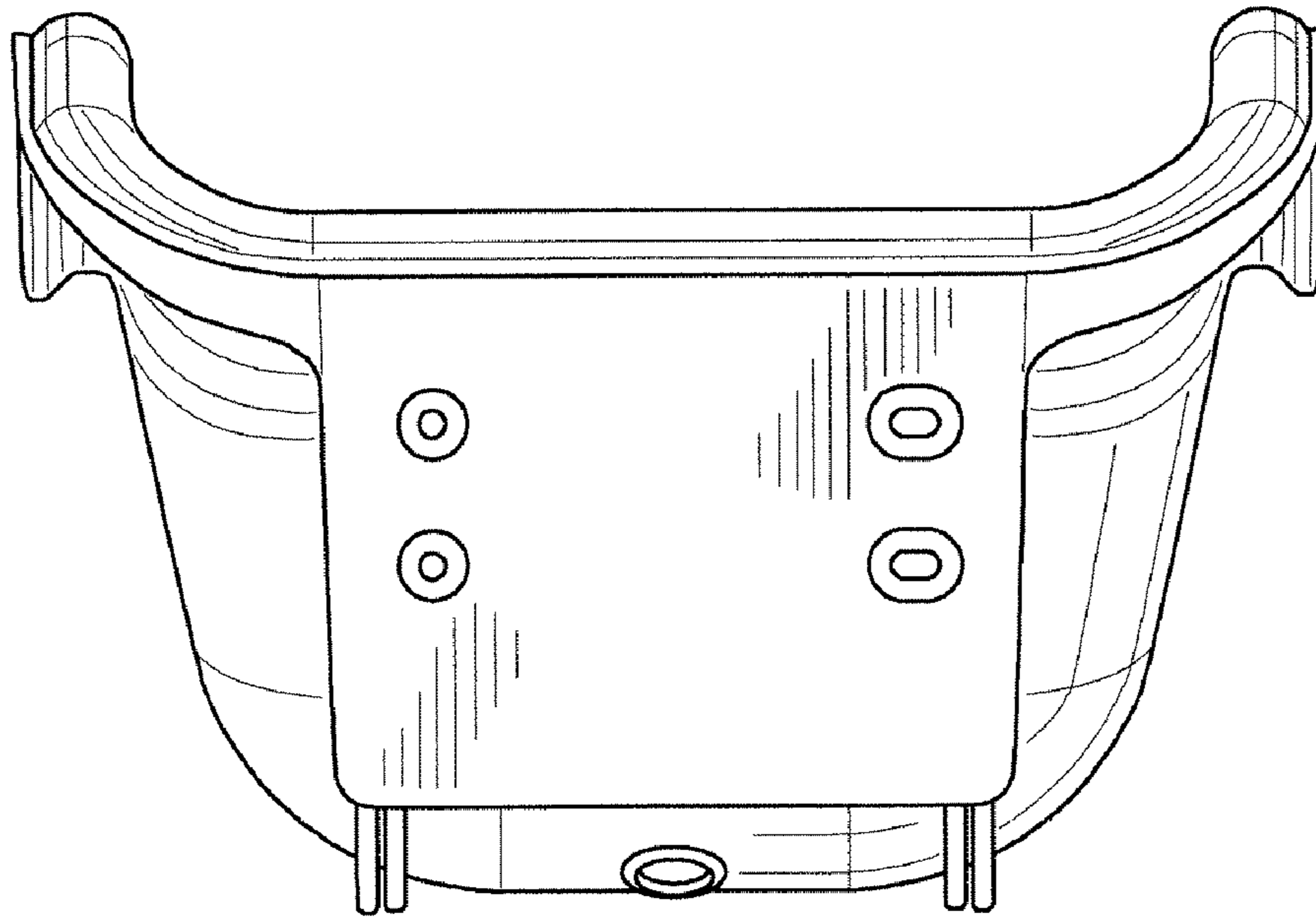


FIG. 5

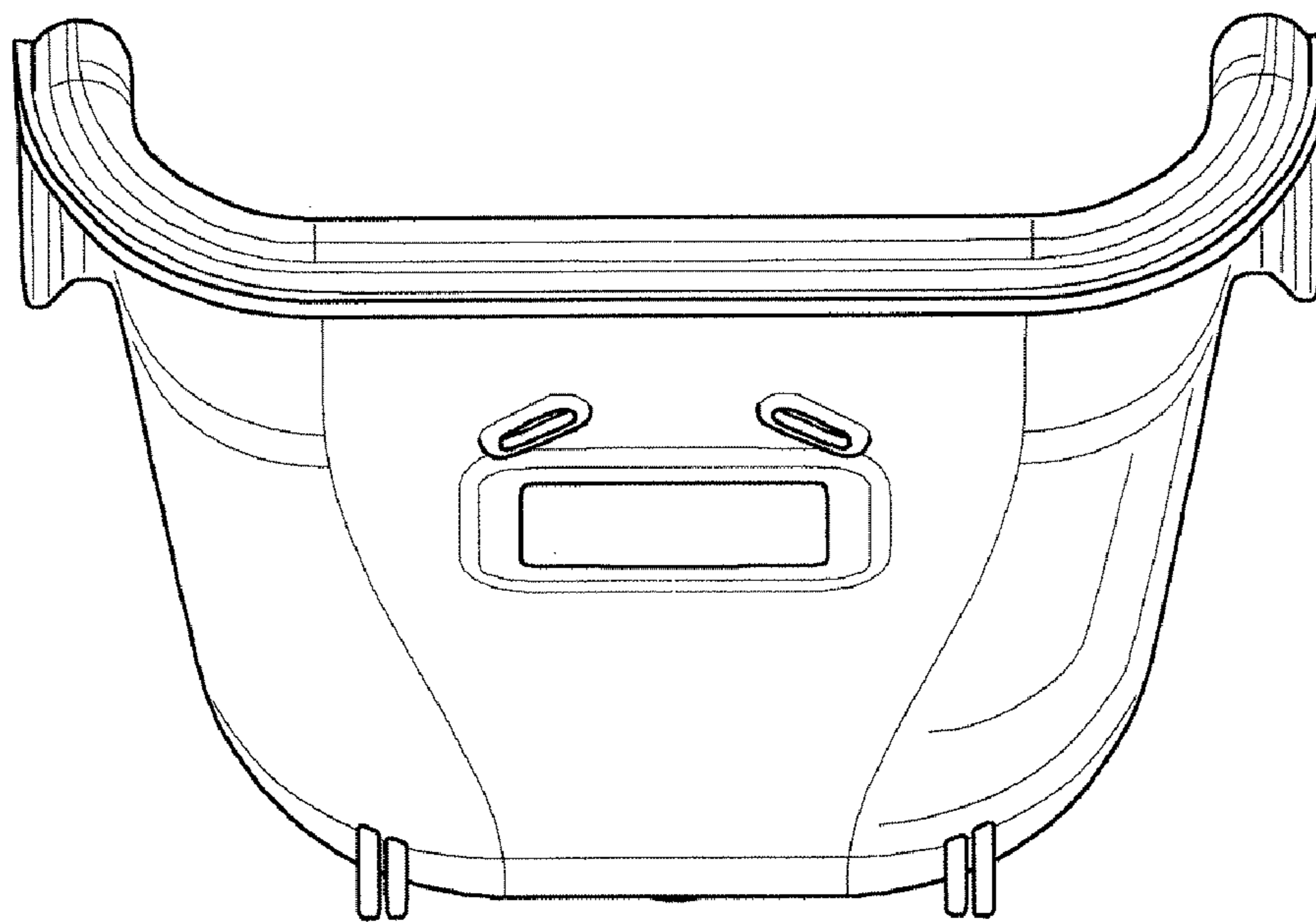


FIG. 6

FIG. 7

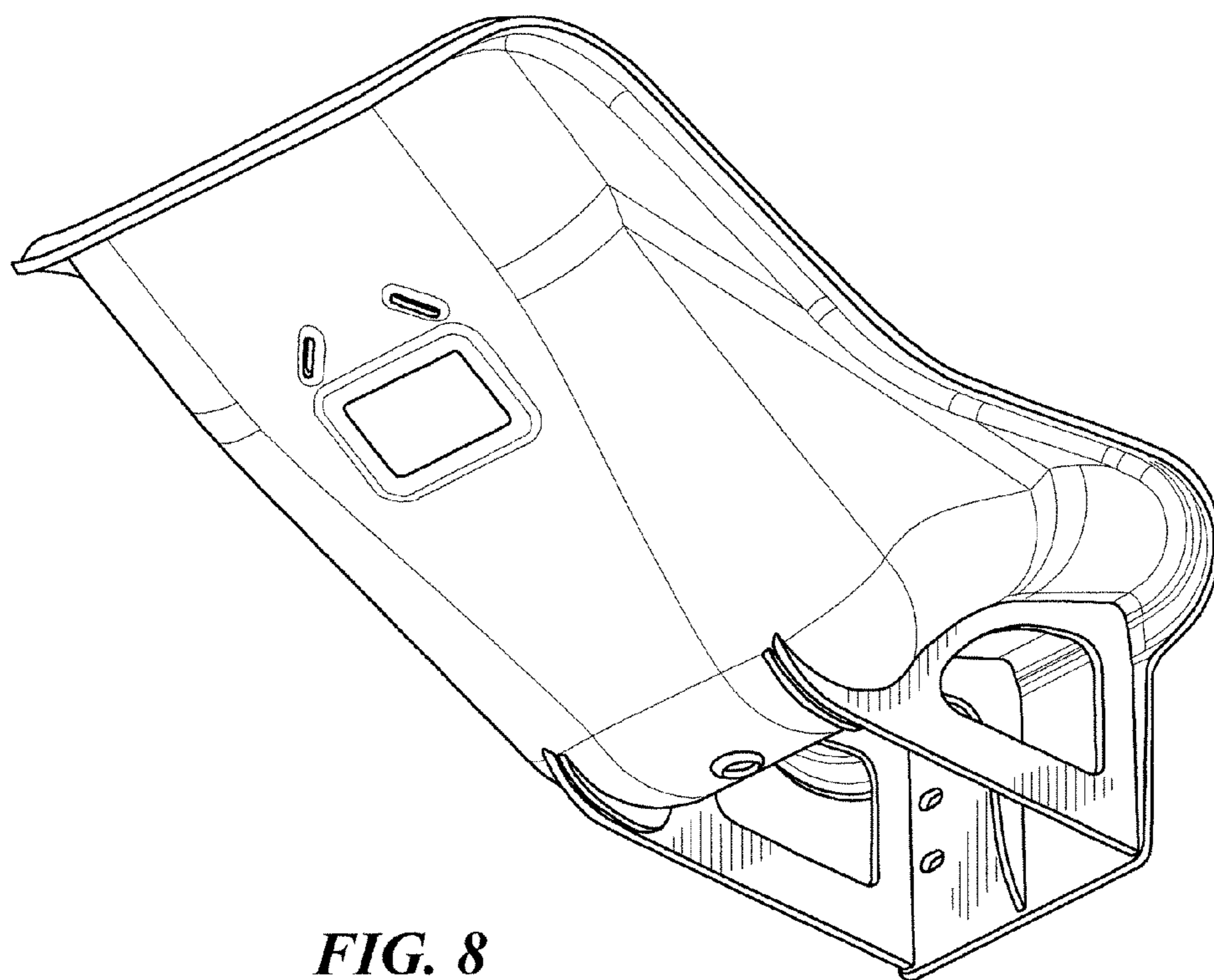
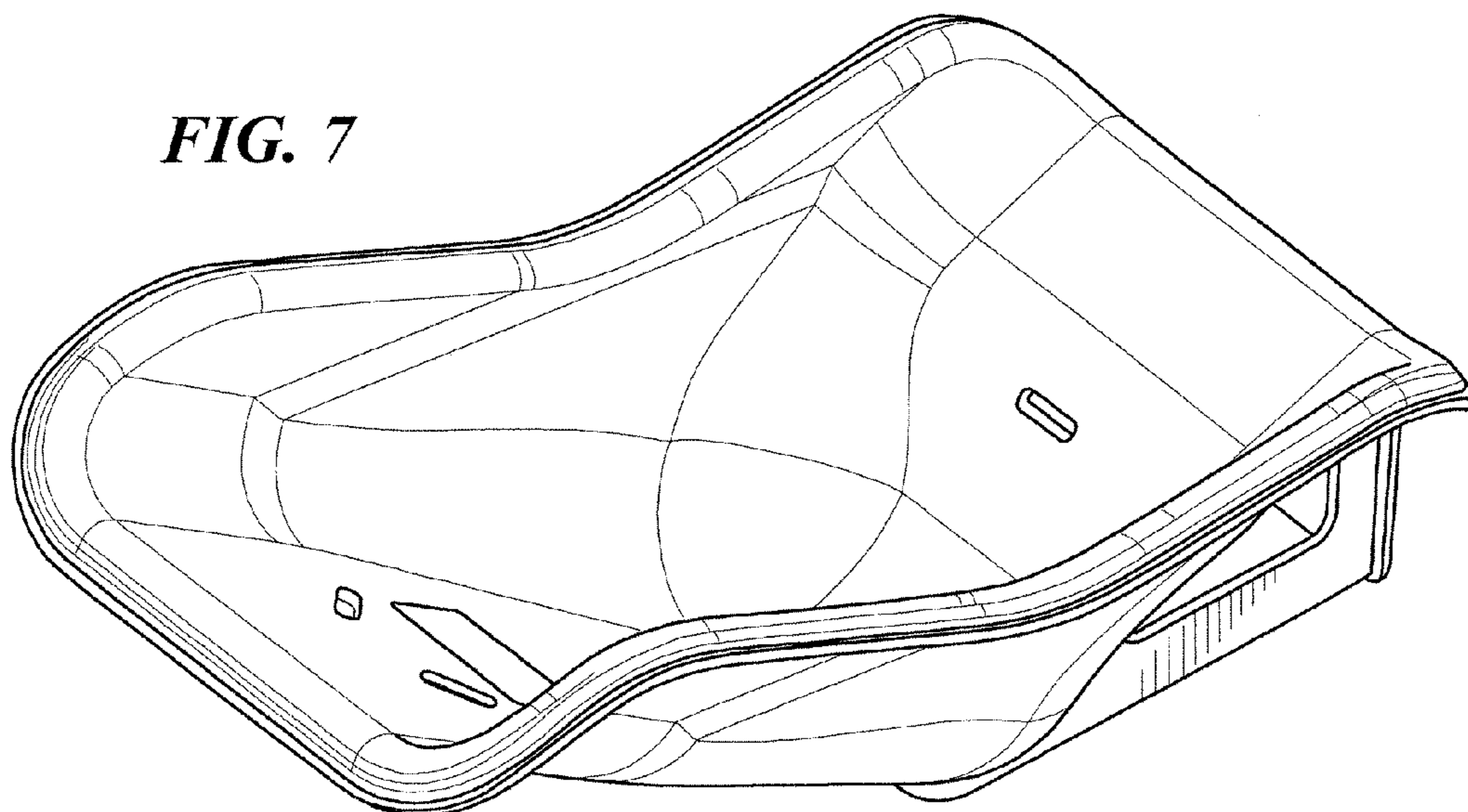


FIG. 8

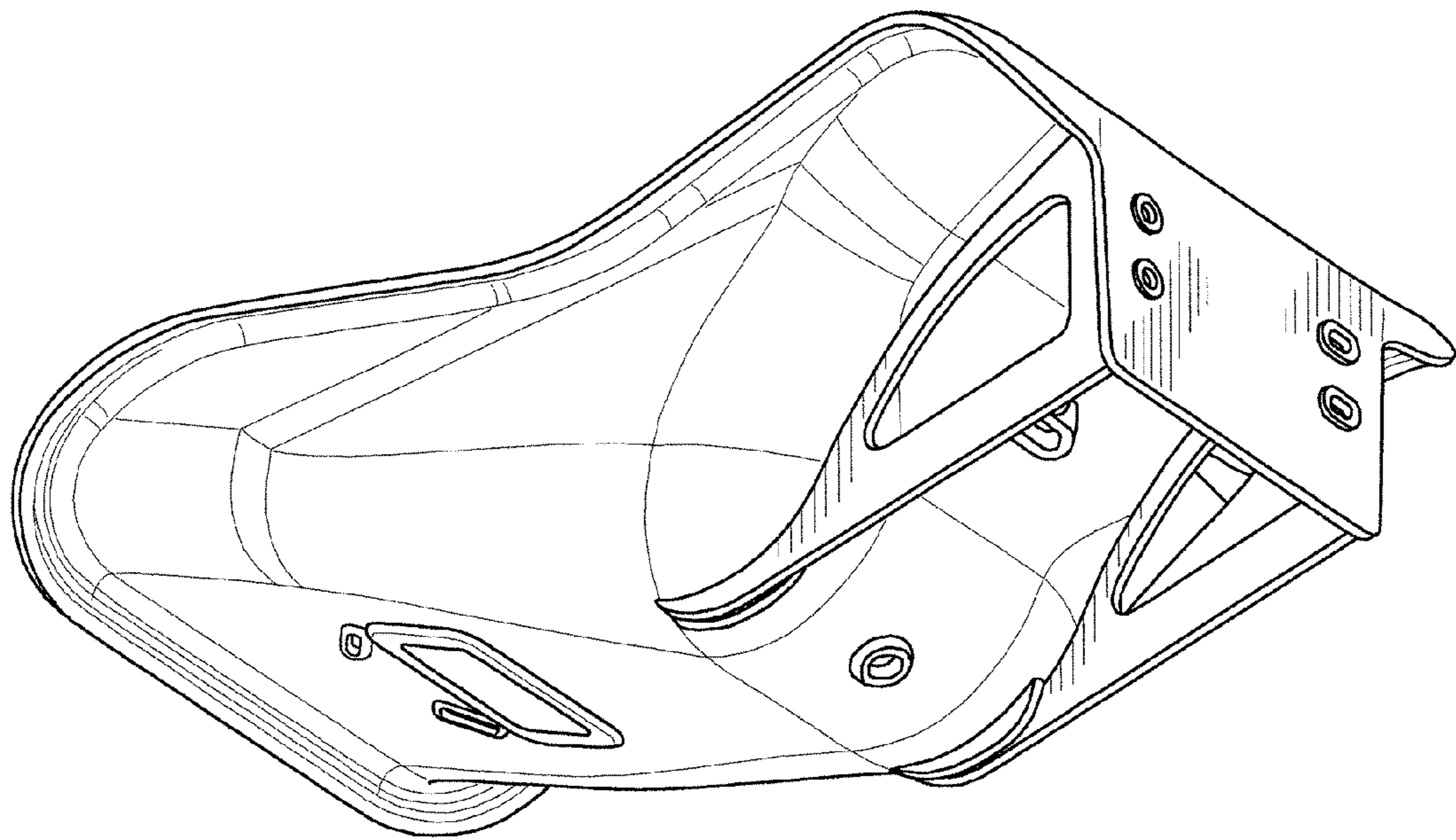


FIG. 9