



US00D648499S

(12) **United States Design Patent**
Machacs

(10) **Patent No.:** **US D648,499 S**

(45) **Date of Patent:** **** Nov. 8, 2011**

(54) **ACCESSORY FOR A CLOTHESLINE FOR DRYING CLOTHES**

(76) Inventor: **Marton Machacs**, Budapest (HU)

(**) Term: **14 Years**

(21) Appl. No.: **29/337,741**

(22) Filed: **May 28, 2009**

(51) **LOC (9) Cl.** **07-05**

(52) **U.S. Cl.** **D32/60**

(58) **Field of Classification Search** D32/58-61;
211/85.24, 89.01, 94.03, 119.18, 183, 170-172,
211/168; 248/610, 317; D6/315, 328, 326,
D6/512-513; D8/44, 300, 315, 349, 354-356,
D8/380, 382, 394

See application file for complete search history.

(56) **References Cited**

U.S. PATENT DOCUMENTS

D201,356 S *	6/1965	Howard	D32/61
D204,889 S *	5/1966	Gingher	D8/377
D258,864 S *	4/1981	Muller	D8/356
D300,603 S *	4/1989	Hill et al.	D8/356
D310,020 S *	8/1990	Fujioka	D8/396
D311,487 S *	10/1990	Platt	D8/396
D376,061 S *	12/1996	Aulenbach	D6/513
D447,930 S *	9/2001	Larson	D8/354
D524,558 S *	7/2006	Fischer	D6/328

D568,723 S *	5/2008	Morgan	D8/356
D616,291 S *	5/2010	Roberts et al.	D8/382
D635,010 S *	3/2011	Bucci	D8/354
2004/0149671 A1 *	8/2004	Krueger et al.	211/183

* cited by examiner

Primary Examiner — Rosemary K Tarcza

(74) *Attorney, Agent, or Firm* — Ladas & Parry LLP

(57) **CLAIM**

I claim the ornamental design for an accessory for a clothesline for drying clothes, as shown.

DESCRIPTION

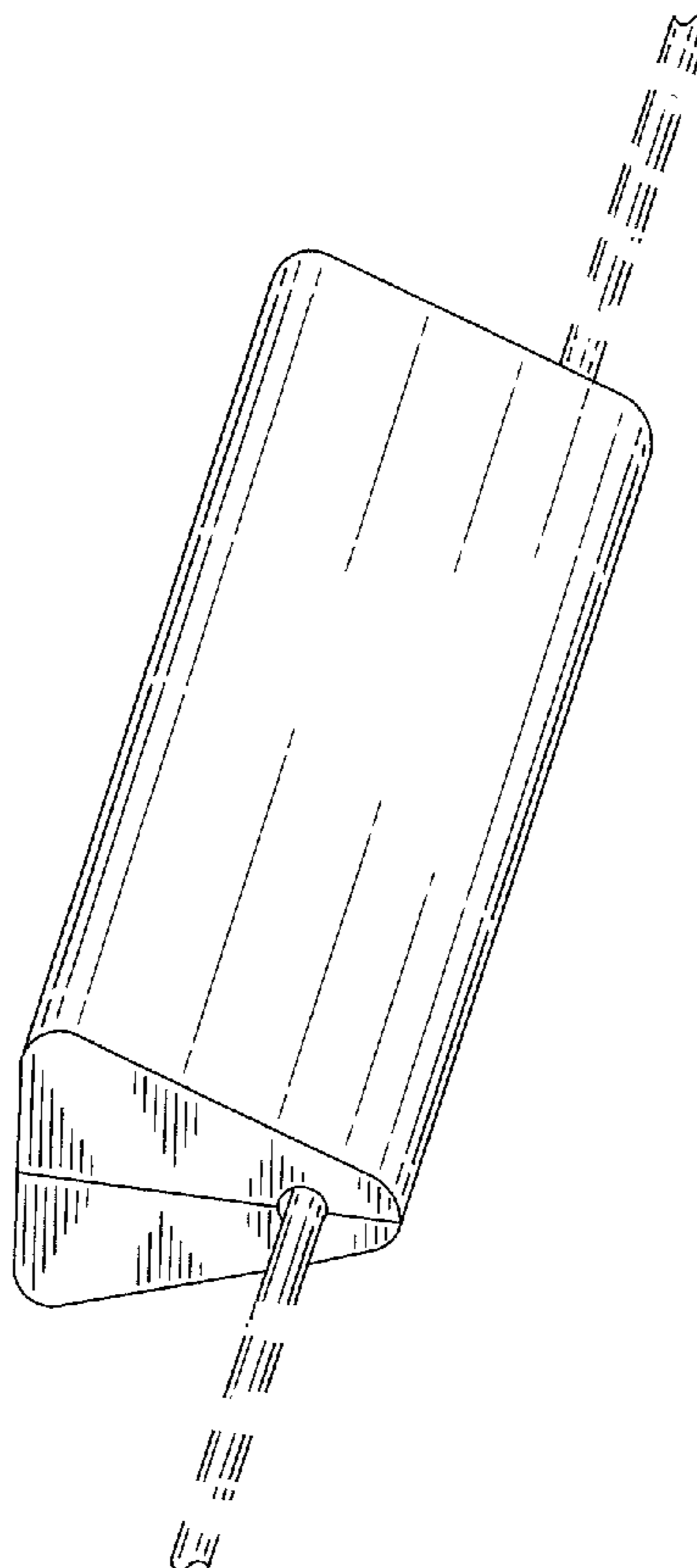
FIG. 1 is a perspective view of an accessory for a clothesline for drying clothes of my new design;

FIG. 2 is a perspective view of one part thereof shown separately from the clothesline and second part for ease of illustration and complete disclosure; and,

FIG. 3 is a perspective view of a second part thereof shown separately from the clothesline and first part for ease of illustration and complete disclosure capable of interacting with the first part thereof to form the entire accessory as shown in FIG. 1.

The broken lines shown in the drawings are included for the purpose of illustrating environmental structure and form no part of the claimed design.

1 Claim, 1 Drawing Sheet



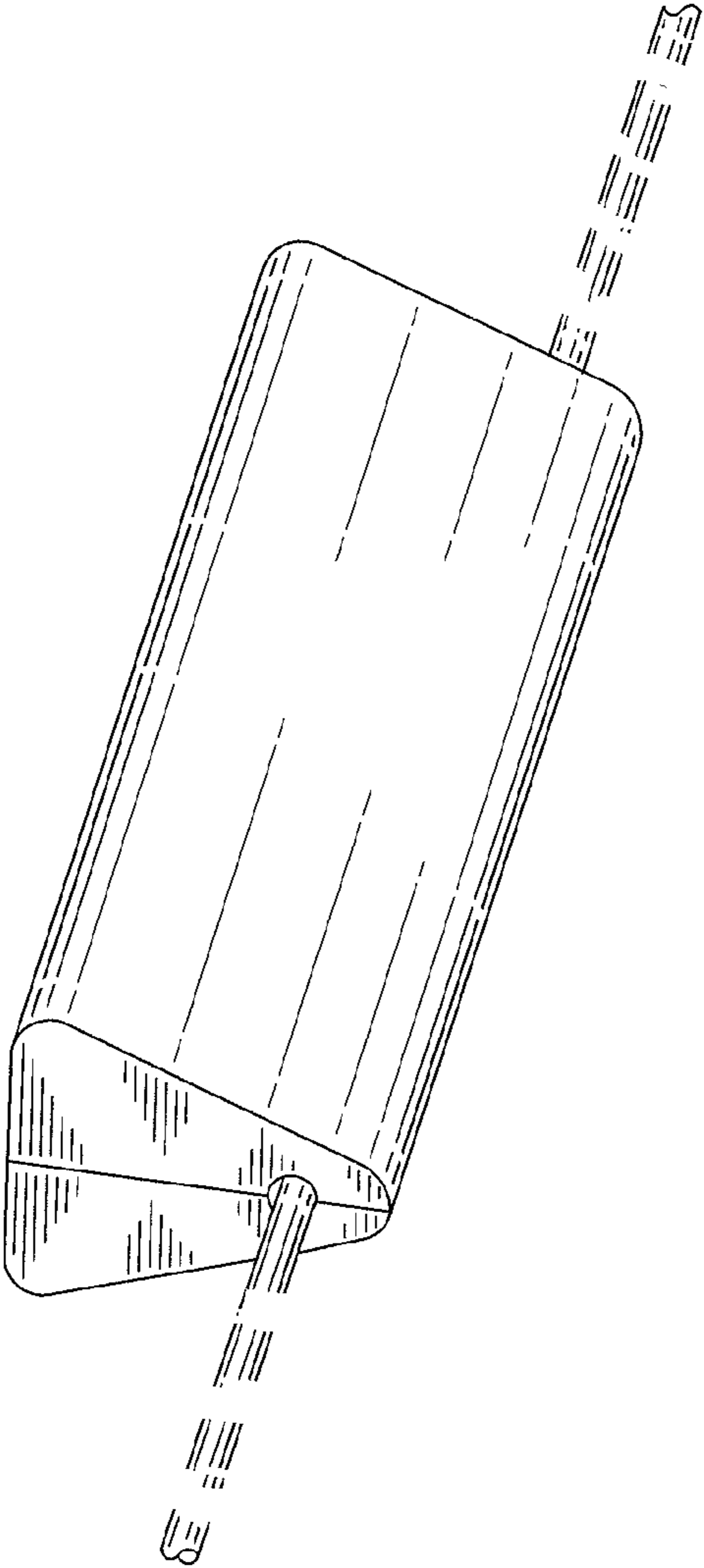


FIG. 1

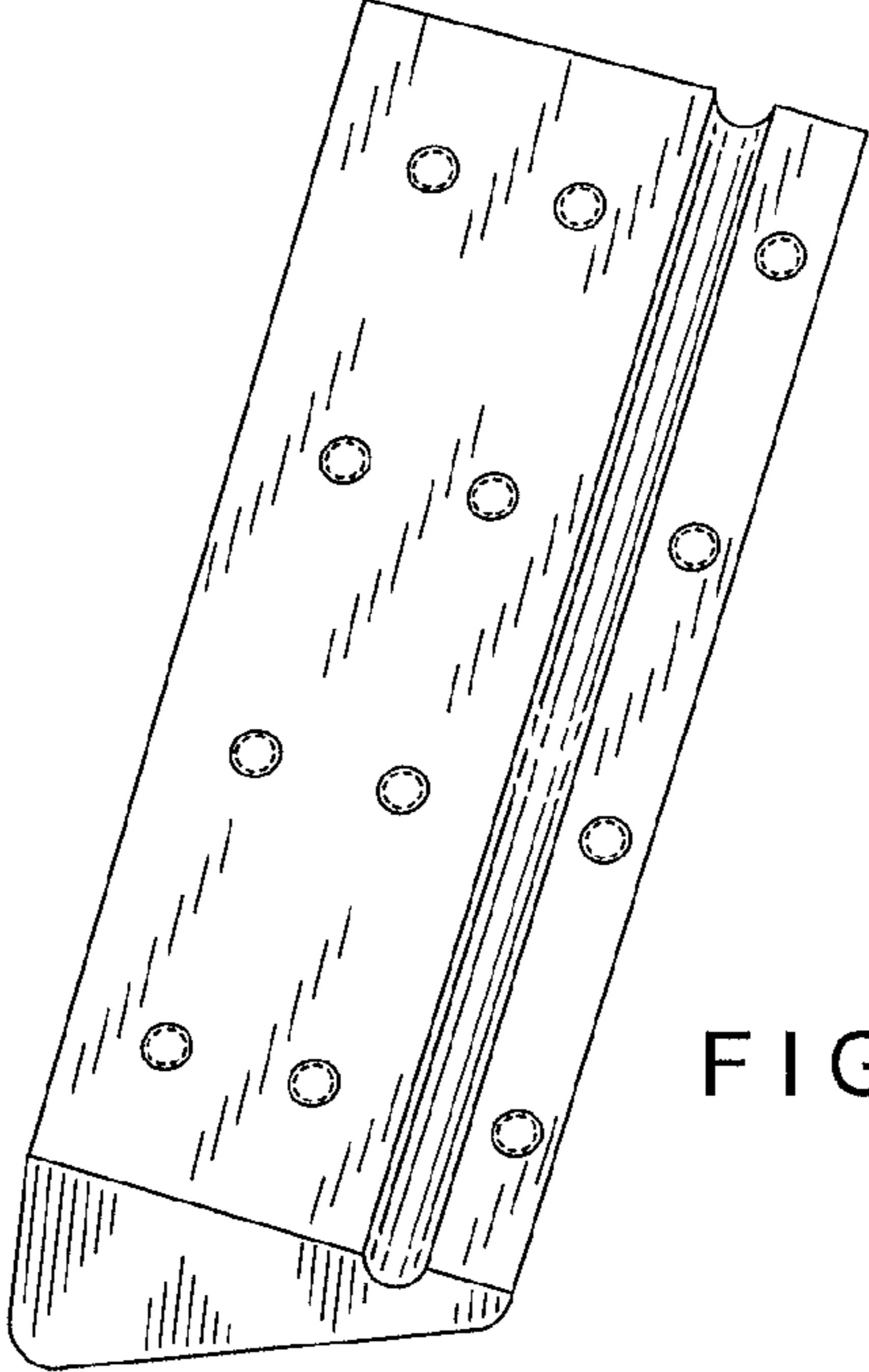


FIG. 2

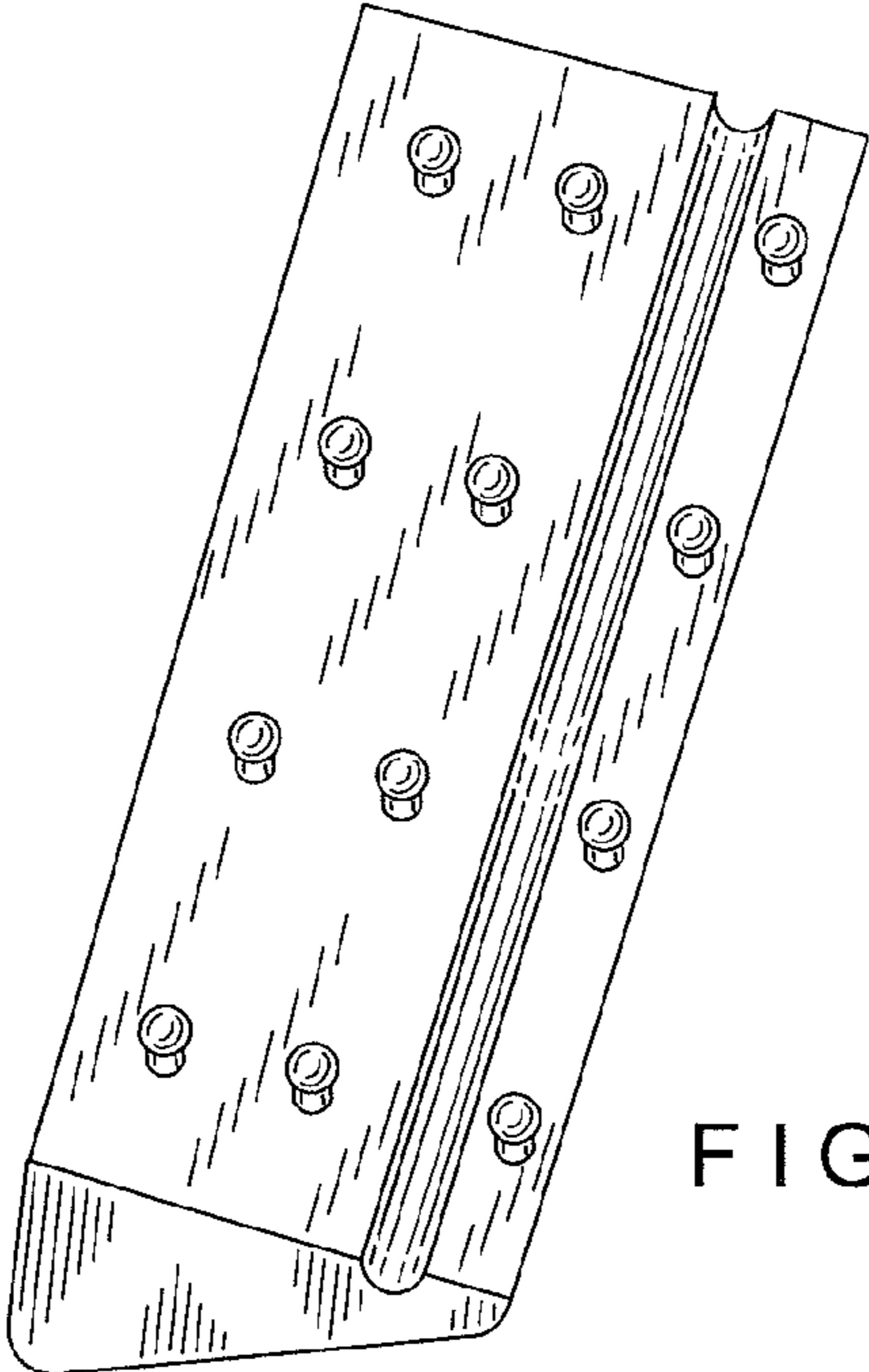


FIG. 3