



US00D648498S

(12) **United States Design Patent**
Rossano et al.

(10) **Patent No.:** **US D648,498 S**

(45) **Date of Patent:** **** Nov. 8, 2011**

- (54) **EIGHTEEN INCH WALL BRUSH**
 - (75) Inventors: **Martin Rossano**, Montreal (CA); **Eric Quiron**, Prevost (CA)
 - (73) Assignee: **CPA Pool Products, Inc.**, Blainville, Quebec (CA)
 - (**) Term: **14 Years**
 - (21) Appl. No.: **29/365,247**
 - (22) Filed: **Jul. 7, 2010**
 - (51) **LOC (9) Cl.** **15-05**
 - (52) **U.S. Cl.** **D32/33**
 - (58) **Field of Classification Search** D32/50,
D32/17, 31-33, 22, 51, 38-40, 45, 25, 49;
15/182, 179, 168, 228, 319, 403, 209.1, 52,
15/1, 246.3, 320-322, 415.1-422.1, 414,
15/412, 354, 362, 366, 374, 400, 327.1, 329,
15/41.1, 42, 48, 171, 176.1, 159.1, 339, 208,
15/372, 385, 115, 106; 401/138-139; 68/222;
134/198, 105
- See application file for complete search history.

4,541,139	A *	9/1985	Jones et al.	15/171
D289,338	S *	4/1987	Sartori	D32/50
D296,947	S *	7/1988	Roman	D32/50
5,161,278	A *	11/1992	Tomm	15/159.1
D368,346	S *	3/1996	Kiefer	D32/50
6,694,561	B1 *	2/2004	Harrison et al.	15/159.1
6,718,589	B2 *	4/2004	Kimbro	15/159.1
2007/0199169	A1 *	8/2007	Vosbikian et al.	15/106
2007/0226930	A1 *	10/2007	Libman et al.	15/159.1
2011/0041273	A1 *	2/2011	Boucherie	15/171

* cited by examiner

Primary Examiner — Ruth McInroy
(74) *Attorney, Agent, or Firm* — Baker & Rannells, PA

(57) **CLAIM**
We claim the ornamental design for an eighteen inch wall brush, as shown and described.

DESCRIPTION

FIG. 1 is a perspective view of a eighteen inch wall brush, showing our new design;
FIG. 2 is a front elevational view thereof;
FIG. 3 is a rear elevational view thereof;
FIG. 4 is a left side elevational view thereof;
FIG. 5 is a right side elevational view thereof;
FIG. 6 is a top plan view thereof; and,
FIG. 7 is a bottom plan view thereof.

1 Claim, 7 Drawing Sheets

- (56) **References Cited**
- U.S. PATENT DOCUMENTS
- D175,227 S * 7/1955 Martinec et al. D32/33
- 3,108,306 A * 10/1963 McWilliams 15/171

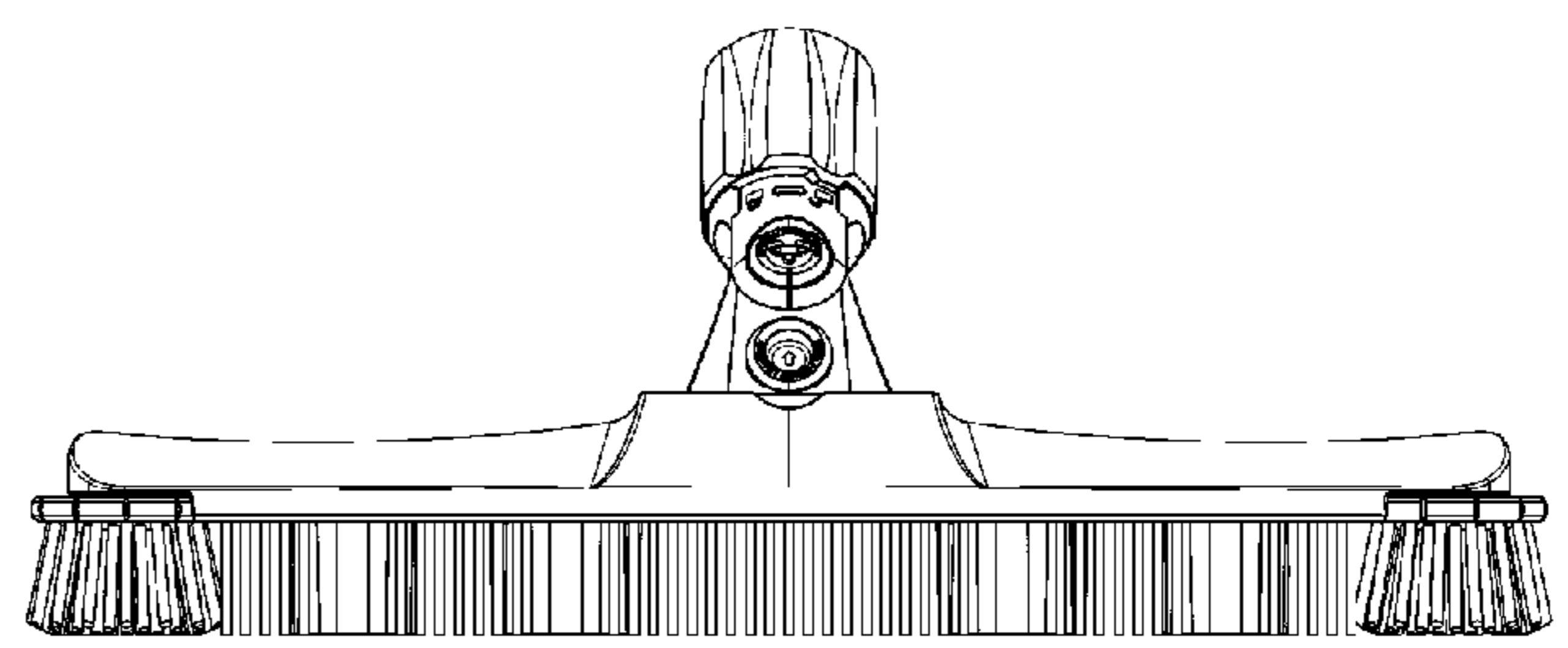
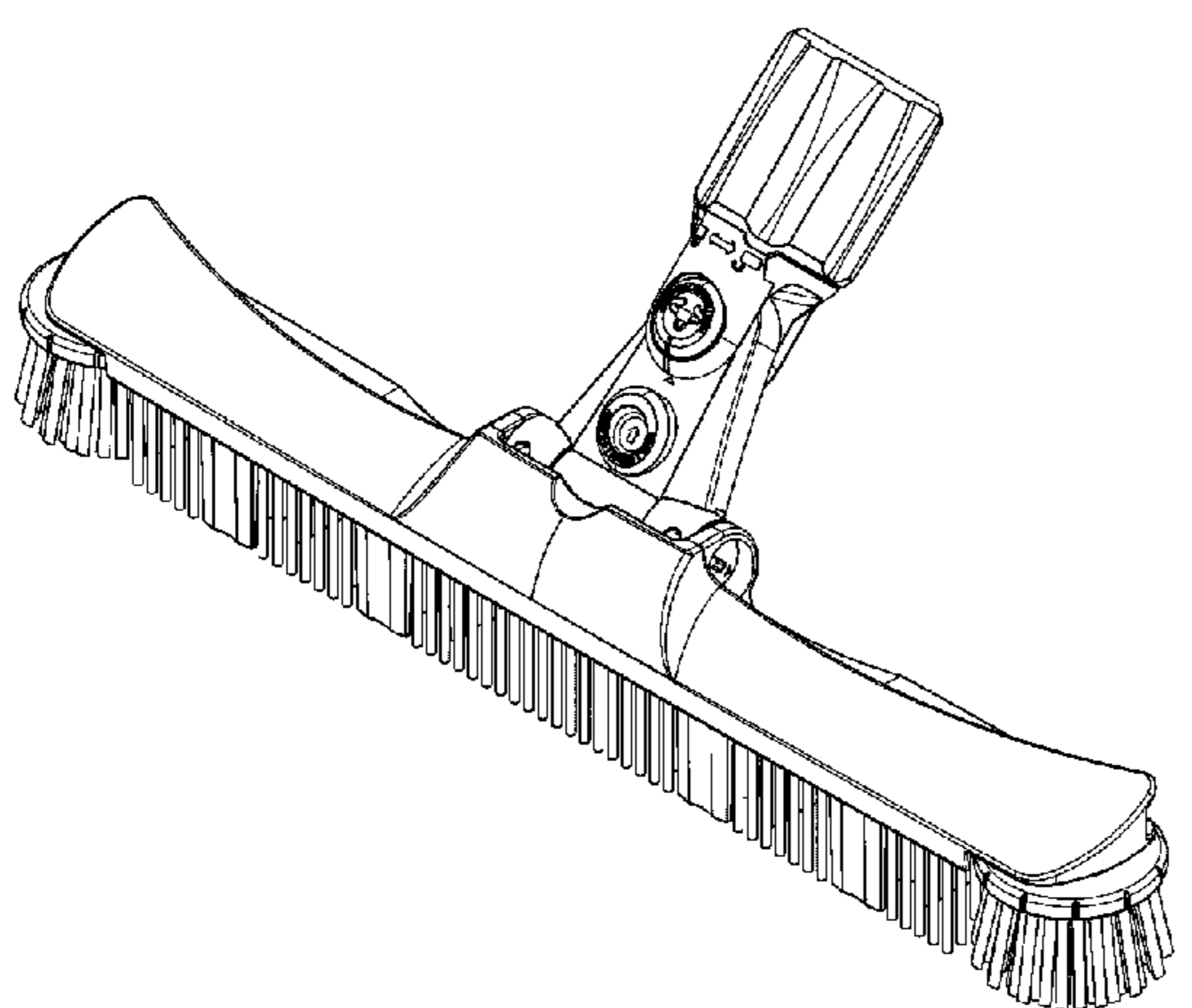


Fig. 1

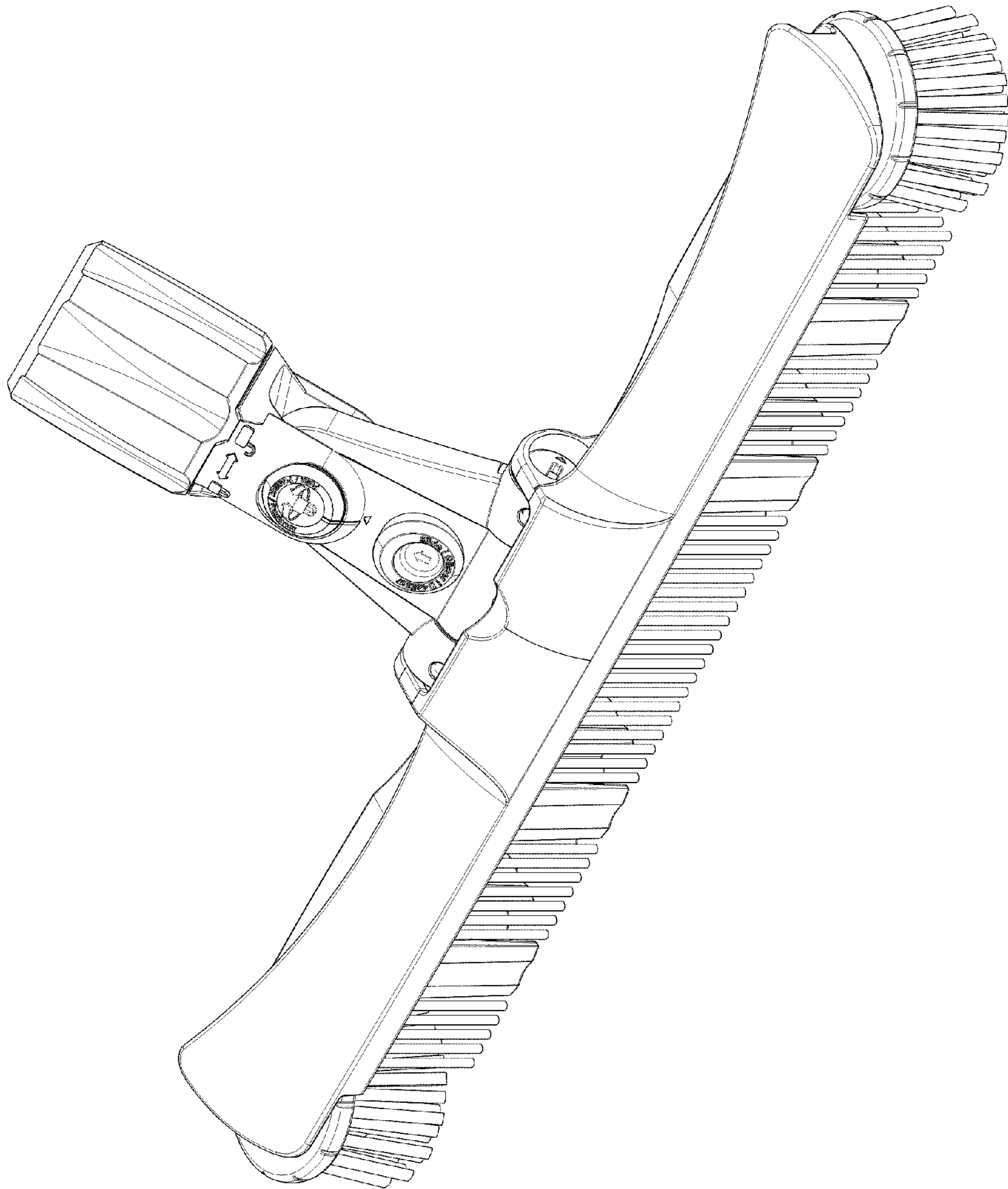


Fig. 2

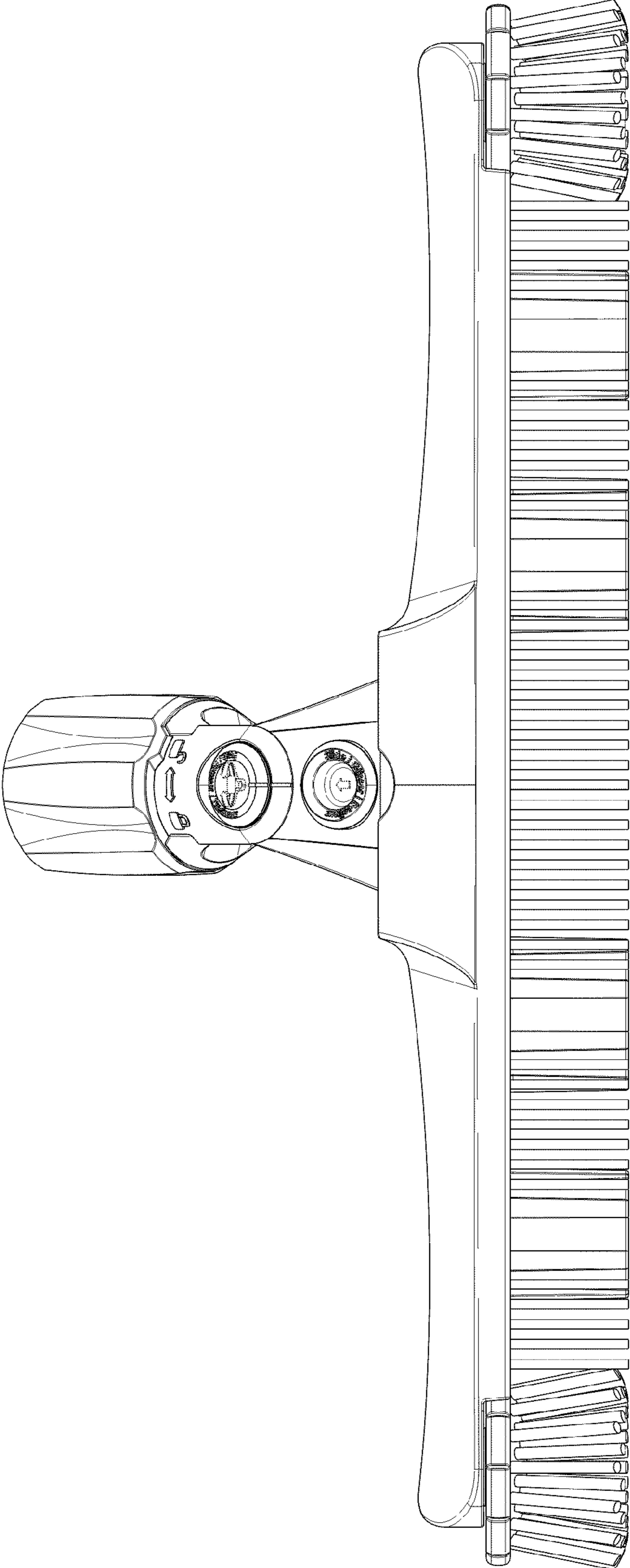


Fig. 3

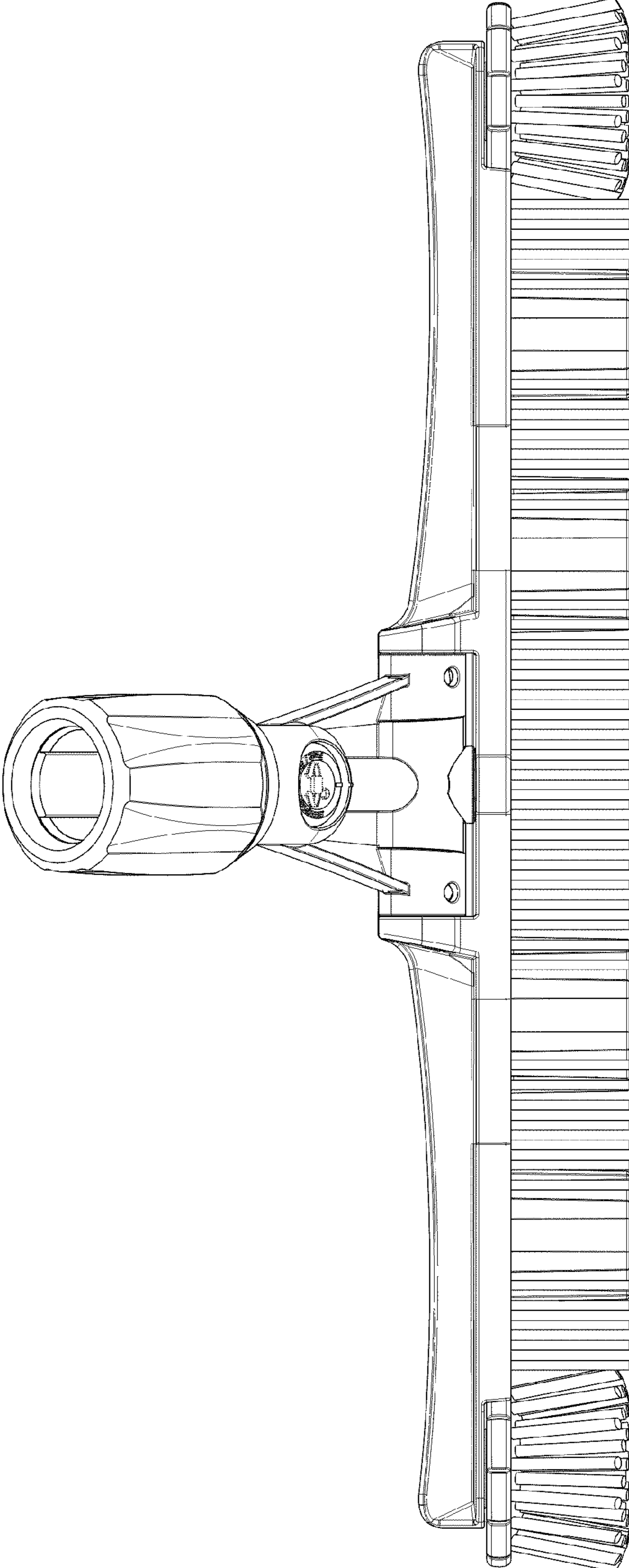


Fig. 4

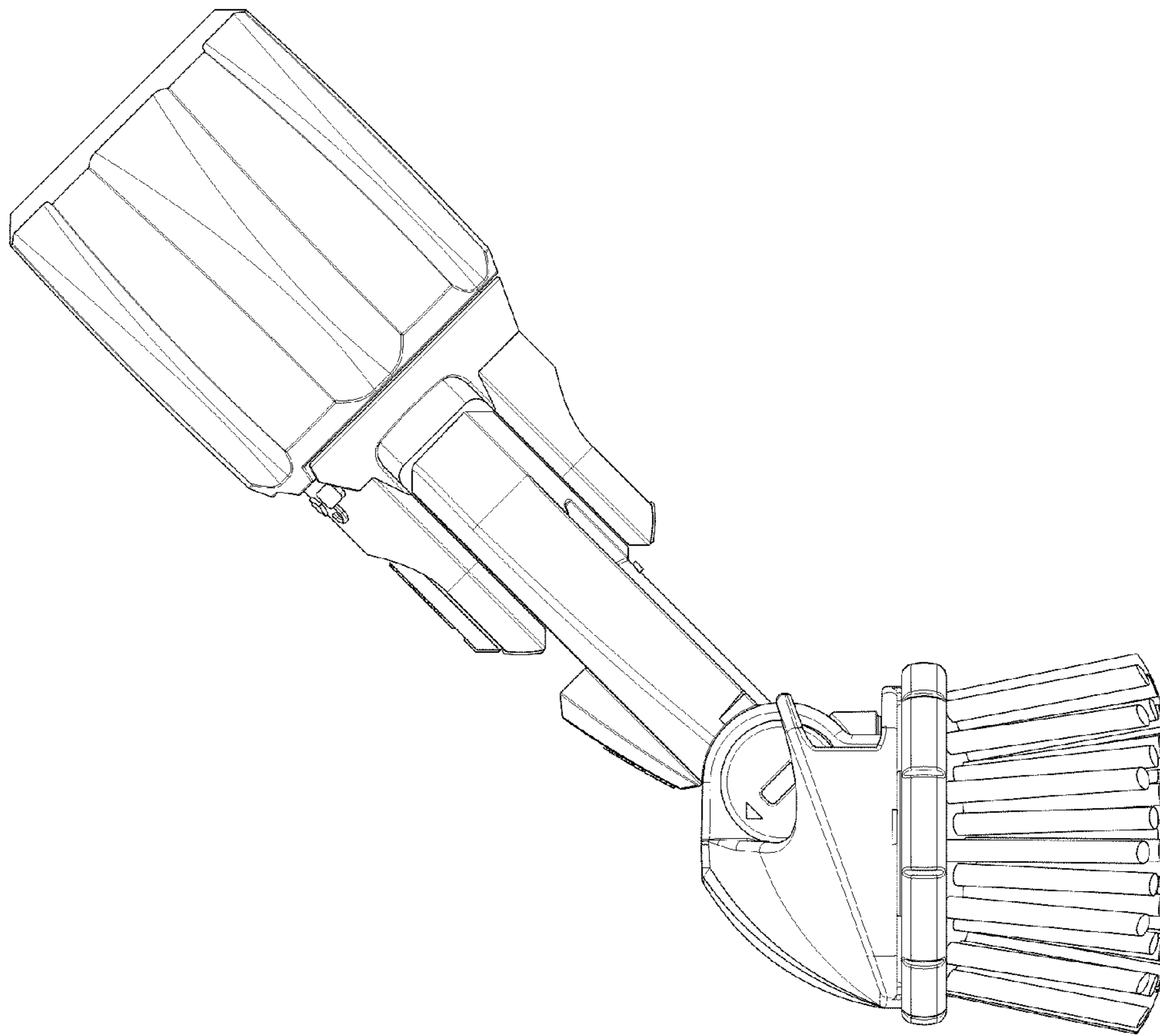


Fig. 5

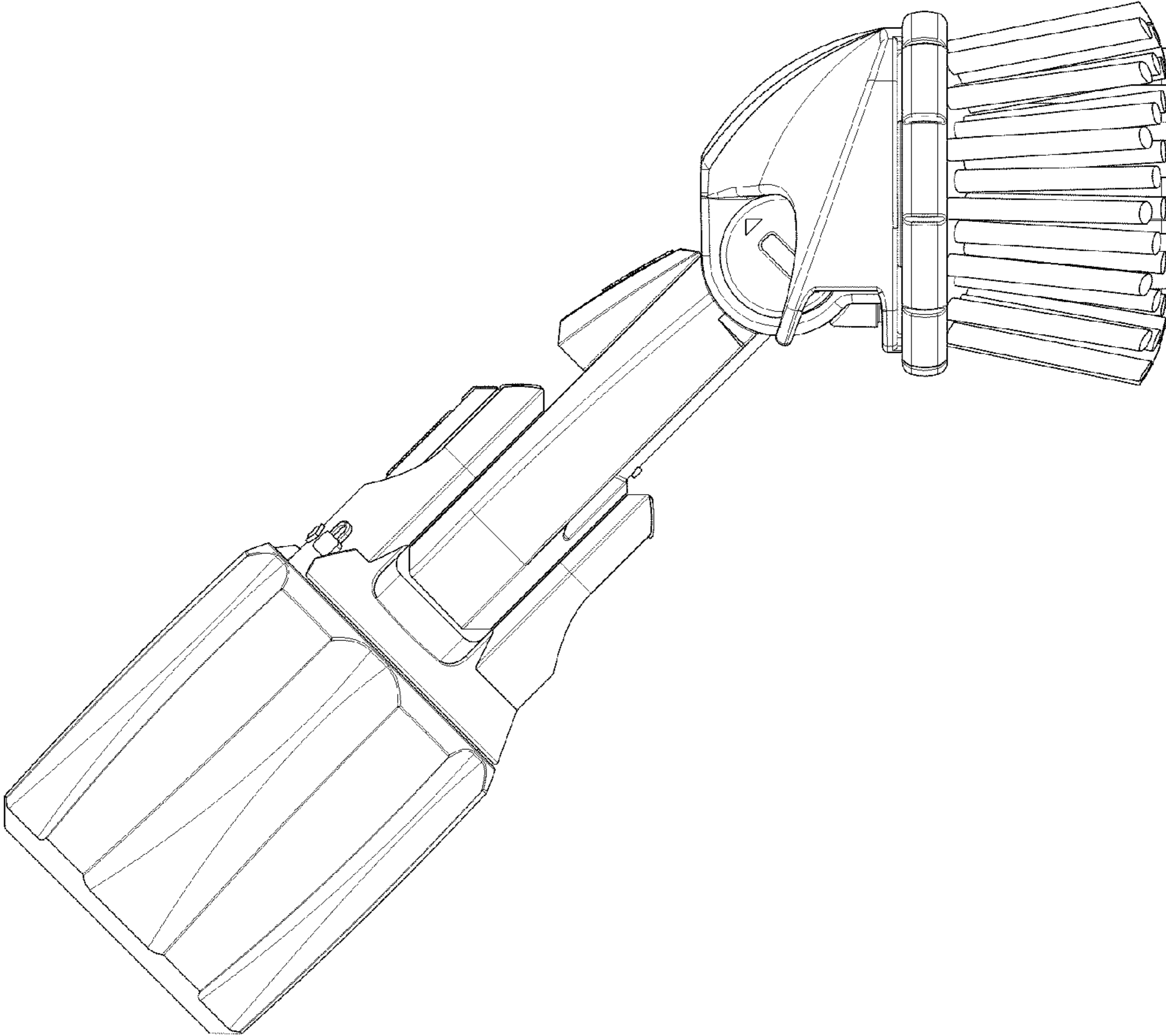


Fig. 6

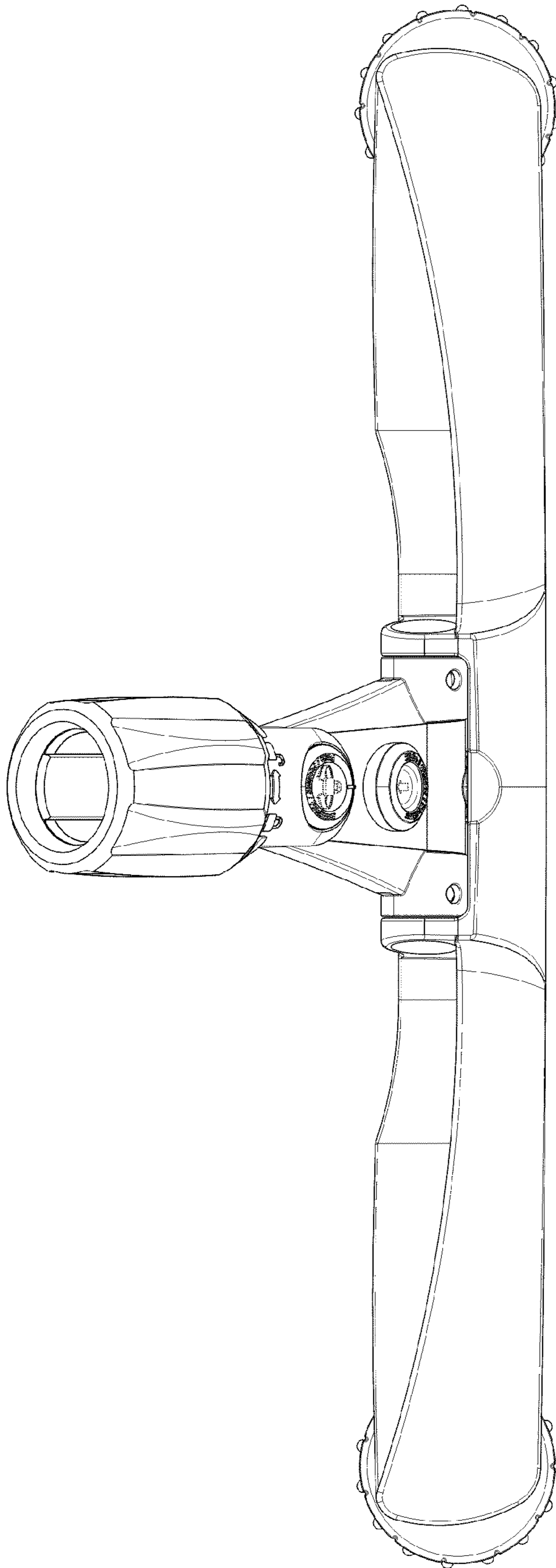


Fig. 7

