



US00D648497S

(12) **United States Design Patent**
Bhattacharya

(10) **Patent No.:** **US D648,497 S**

(45) **Date of Patent:** **** Nov. 8, 2011**

(54) **WASHER CONSOLE**

(75) Inventor: **Abhijeet Bhattacharya**, Saint Joseph,
MI (US)

(73) Assignee: **Whirlpool Corporation**, Benton Harbor,
MI (US)

(**) Term: **14 Years**

(21) Appl. No.: **29/378,412**

(22) Filed: **Nov. 4, 2010**

(51) **LOC (9) Cl.** **15-05**

(52) **U.S. Cl.** **D32/28**

(58) **Field of Classification Search** D32/1,
D32/5-6, 8, 25, 28; 34/58, 108, 130-131,
34/523, 595-597, 603; 68/3 R, 4, 5 R, 12.01,
68/12.08, 212

See application file for complete search history.

(56) **References Cited**

U.S. PATENT DOCUMENTS

D176,642 S *	1/1956	Sundbert	D32/6
D178,351 S *	7/1956	Ferar	D32/6
D183,329 S *	8/1958	Sundberg	D32/28
D183,377 S *	8/1958	Sundberg	D32/28
D183,565 S *	9/1958	Ferar	D32/28
D185,876 S *	8/1959	Reinecke	D32/8
D484,651 S *	12/2003	Linahon et al.	D32/25
D489,496 S *	5/2004	Sneddon	D32/6
D520,691 S *	5/2006	Schober	D32/28

D538,488 S *	3/2007	Carey et al.	D32/6
D575,012 S *	8/2008	Rossetto et al.	D32/6
D619,314 S *	7/2010	Bixby et al.	D32/25
D620,656 S *	7/2010	Bixby et al.	D32/25
D621,563 S *	8/2010	Bixby et al.	D32/25
D631,215 S *	1/2011	Song et al.	D32/6
D632,033 S *	2/2011	Song et al.	D32/6

* cited by examiner

Primary Examiner — T. Chase Nelson

Assistant Examiner — Kathleen M Sims

(74) *Attorney, Agent, or Firm* — Tara M. Hartman; Barnes & Thornberg, LLP

(57) **CLAIM**

I claim the ornamental design for a washer console, as shown and described.

DESCRIPTION

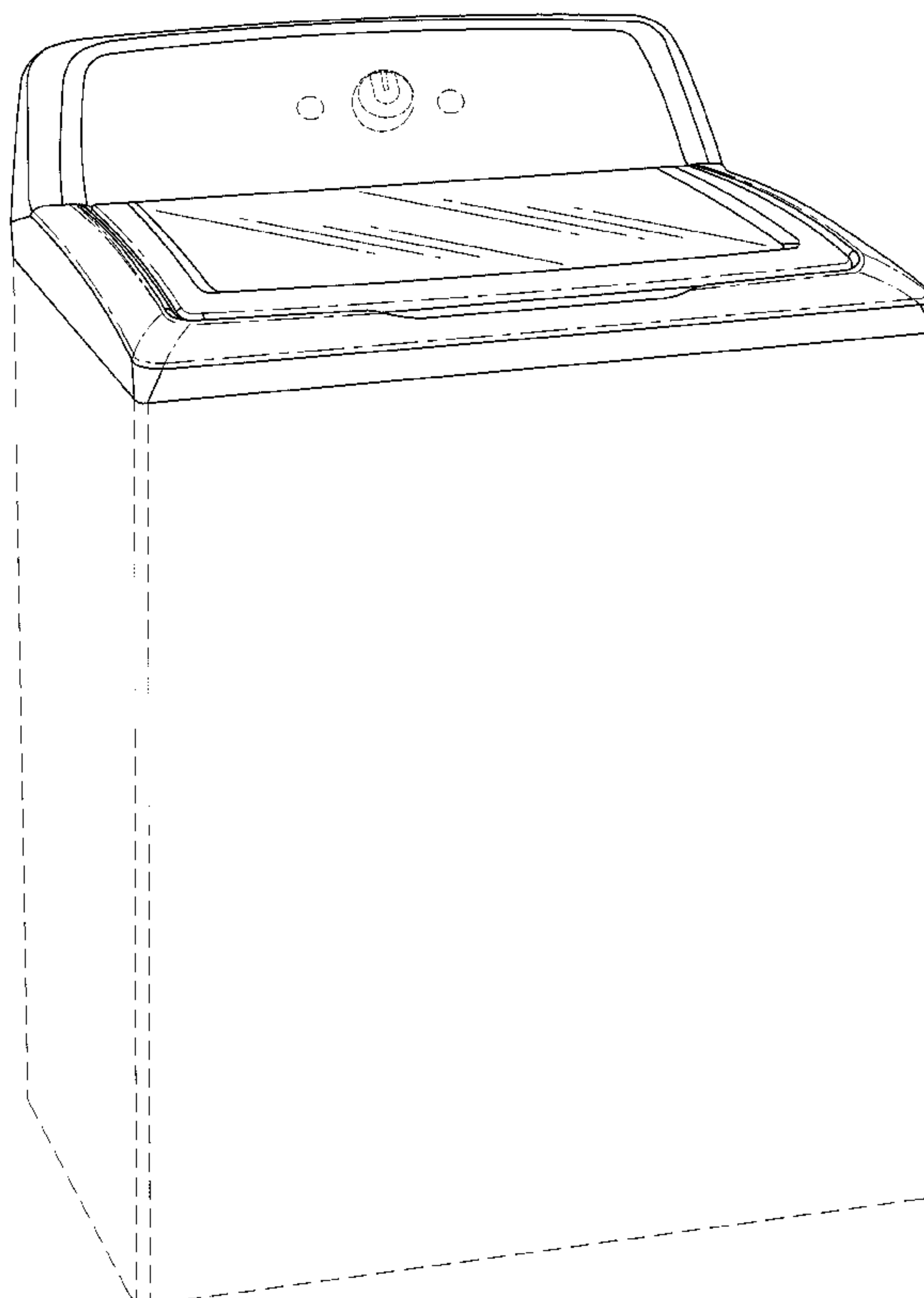
FIG. 1 is a front perspective view of a washer console showing my new design;

FIG. 2 is a front elevation view of the washer console of FIG. 1;

FIG. 3 is a top plan view of the washer console of FIG. 1; and, FIG. 4 is a first side elevation view of the washer console of FIG. 1, with the second side elevation view being mirror image of FIG. 4.

The rear elevation view and bottom plan view are not shown and form no part of the claimed design. The portion shown in broken lines is for illustrative purposes only and forms no part of the claimed design.

1 Claim, 4 Drawing Sheets



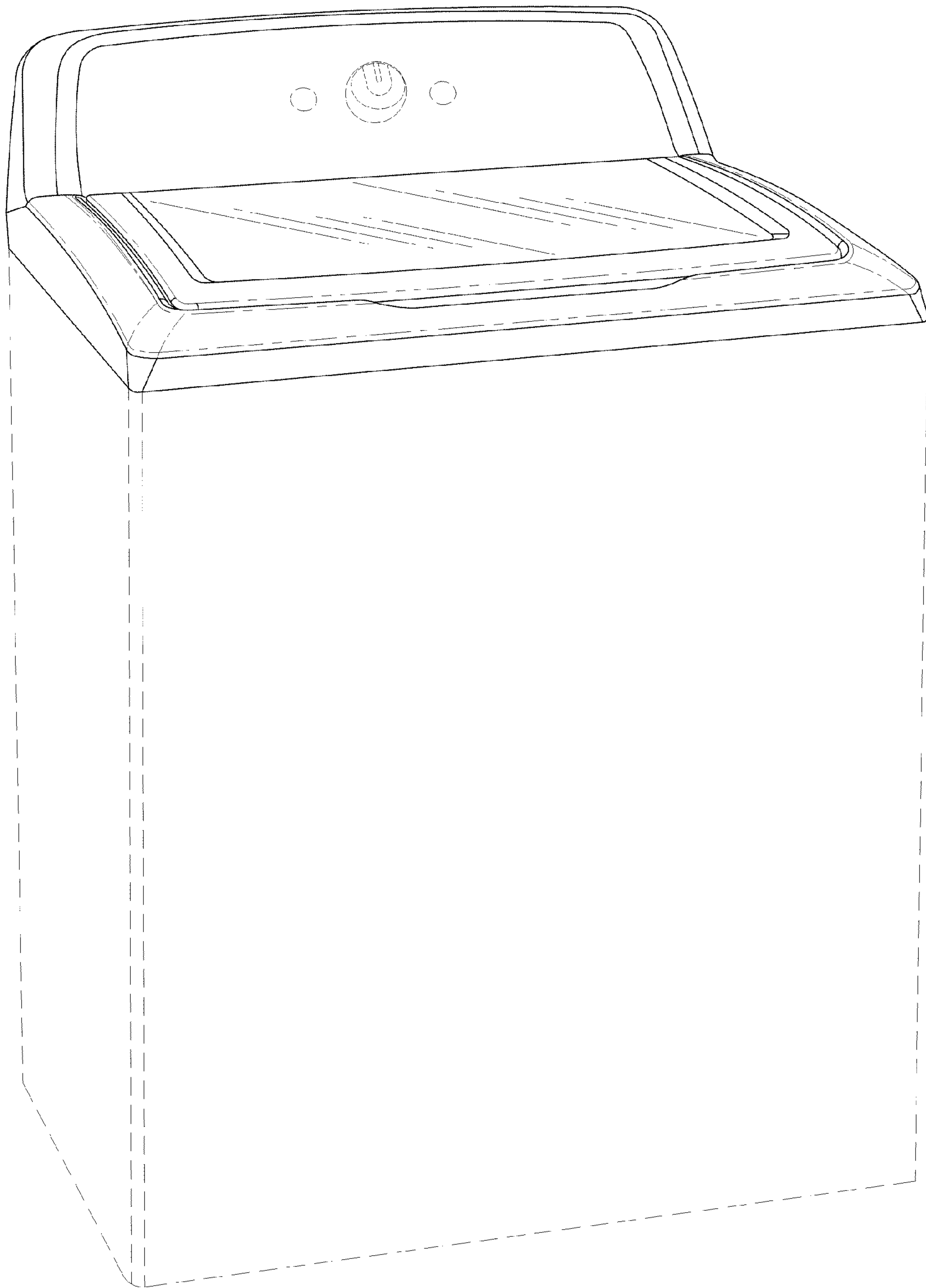


Fig. 1

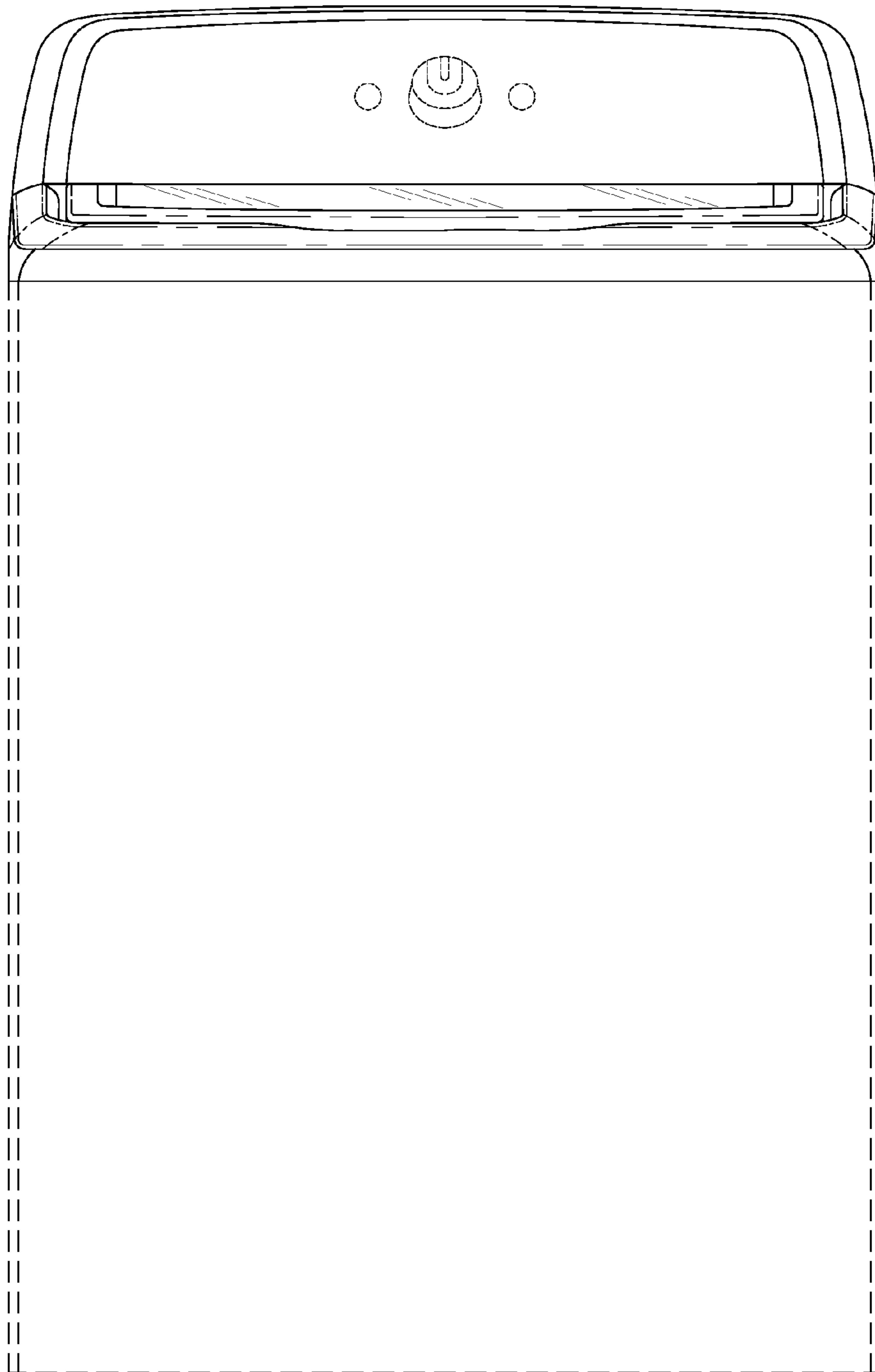


Fig. 2

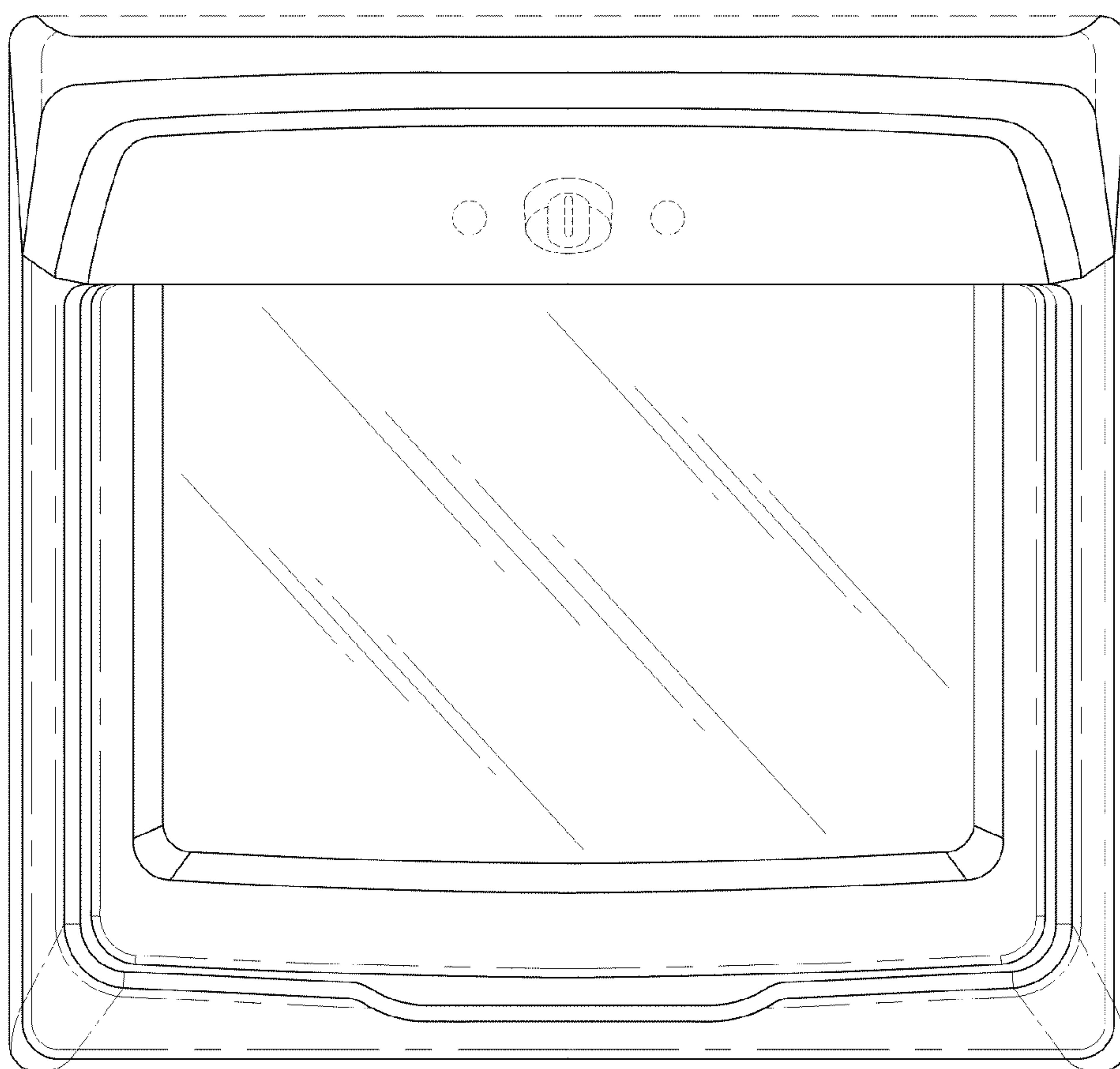


Fig. 3

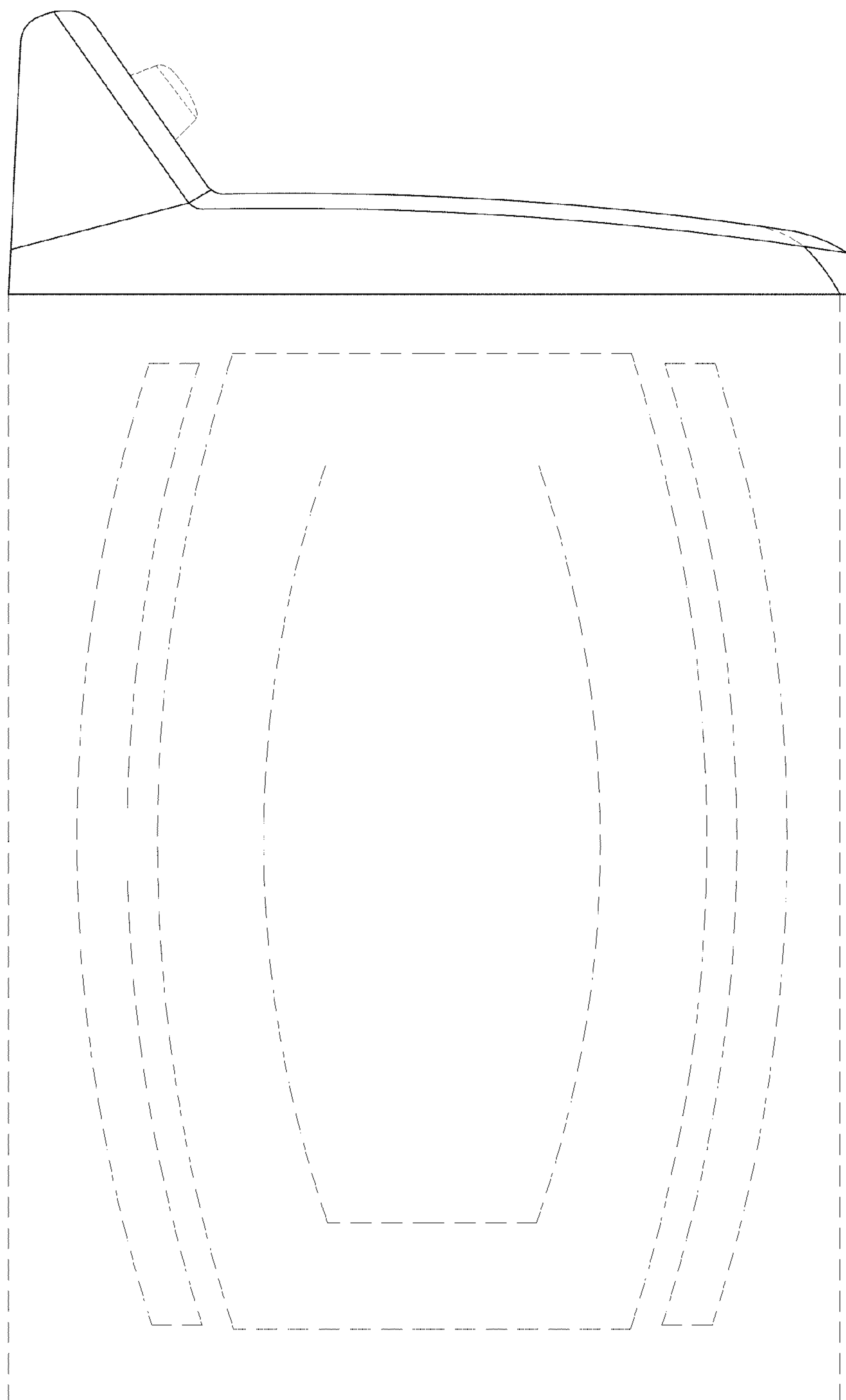


Fig. 4