



US00D648496S

(12) **United States Design Patent**
Luyckx et al.

(10) **Patent No.:** **US D648,496 S**

(45) **Date of Patent:** **** Nov. 8, 2011**

(54) **HANDHELD VACUUM CLEANER**
(75) Inventors: **Michael Luyckx**, Ada, MI (US); **Terese Mauch**, Bay City, MI (US); **Lawrence Chun-Hei Chu**, Shenzhen (CN); **Wendy Hui Wu**, Shenzhen (CN); **Jonathan Stanley**, East Grand Rapids, MI (US)

(73) Assignee: **BISSELL Homecare, Inc.**, Grand Rapids, MI (US)

(**) Term: **14 Years**

(21) Appl. No.: **29/357,452**

(22) Filed: **Mar. 12, 2010**

(51) **LOC (9) Cl.** **15-05**

(52) **U.S. Cl.** **D32/18**

(58) **Field of Classification Search** D32/17-18,
D32/31-33; 15/344, 329, 338, 335, 414,
15/415.1, 418-422, 409, 300.1, 322, 320
See application file for complete search history.

(56) **References Cited**

U.S. PATENT DOCUMENTS

D364,013 S * 11/1995 Klingspor et al. D32/18
D448,895 S * 10/2001 Andreas D32/18
D511,598 S * 11/2005 Snowball D32/18

D556,397 S * 11/2007 Agren et al. D32/18
D564,149 S * 3/2008 Fjellman D32/18
D564,152 S * 3/2008 Fjellman D32/18
D566,349 S * 4/2008 Agren et al. D32/18
D578,259 S * 10/2008 Agren et al. D32/18
2008/0040883 A1* 2/2008 Beskow et al. 15/329
2010/0024154 A1* 2/2010 Beskow et al. 15/344

* cited by examiner

Primary Examiner — Ruth McInroy

(74) *Attorney, Agent, or Firm* — McGarry Bair PC

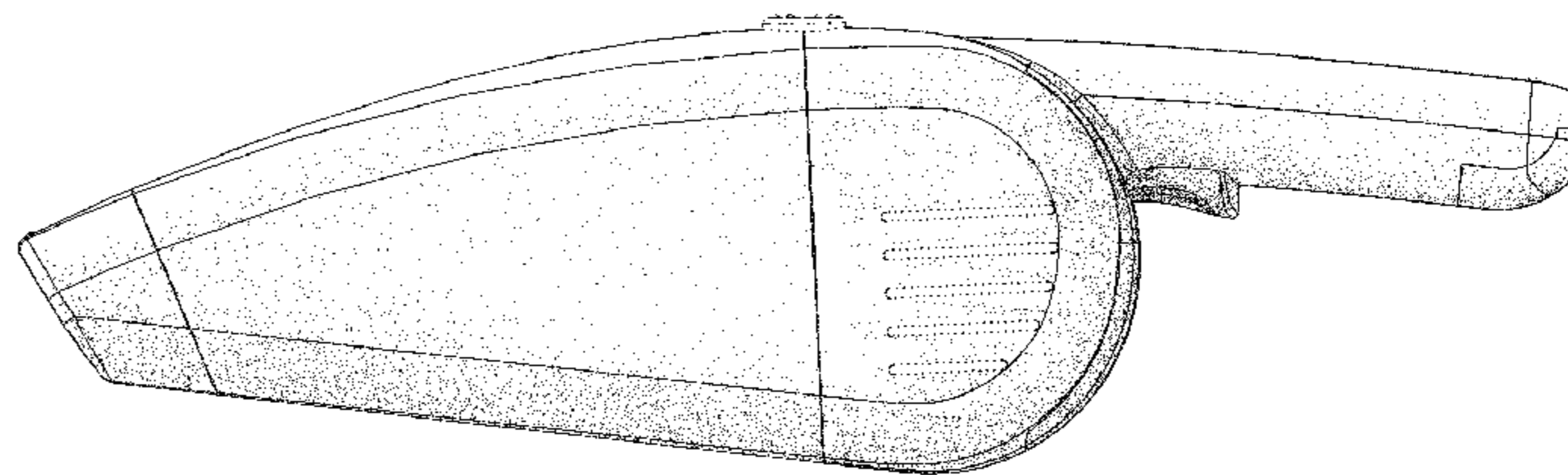
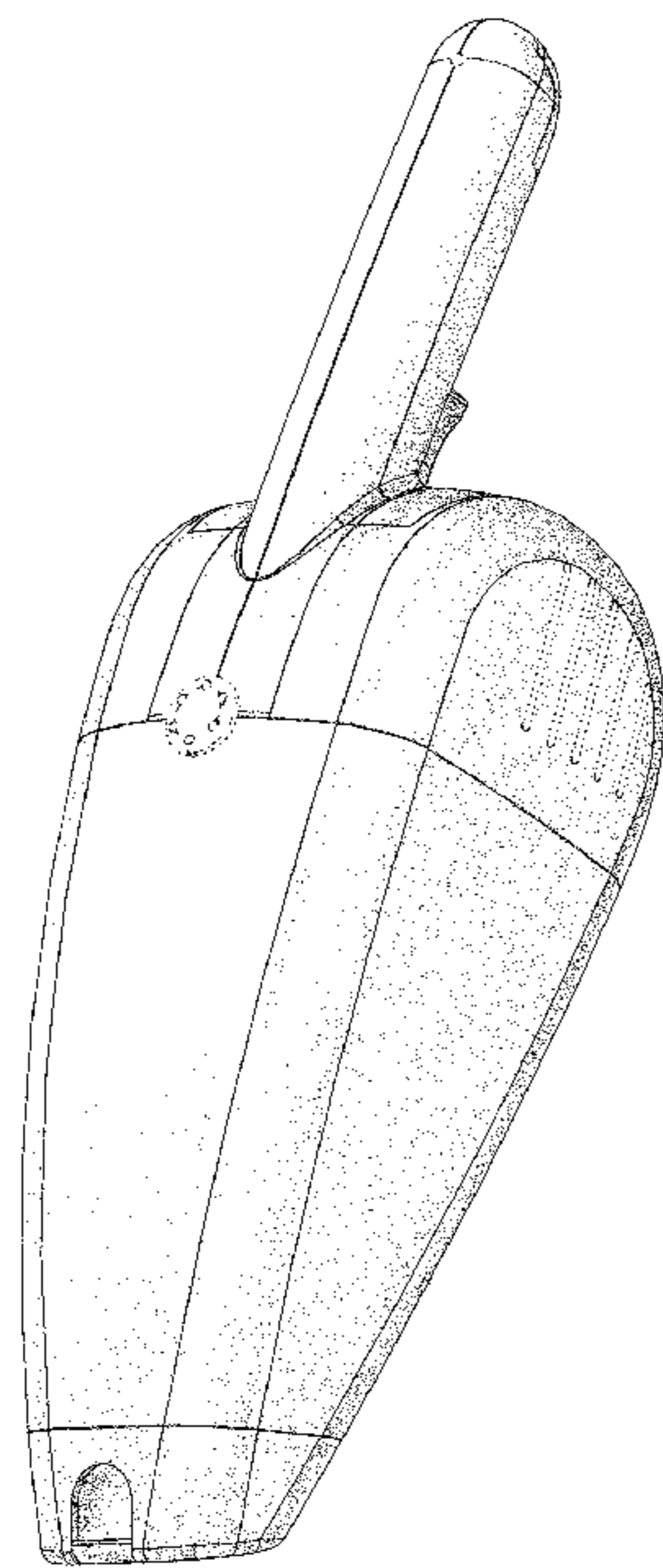
(57) **CLAIM**

The ornamental design for a handheld vacuum cleaner, as shown and described.

DESCRIPTION

FIG. 1 is a front perspective view of a handheld vacuum cleaner which embodies our design;
FIG. 2 is a front view thereof;
FIG. 3 is a rear view thereof;
FIG. 4 is a right side view thereof, the left side view thereof being a mirror image of the left side view thereof;
FIG. 5 is a top view thereof; and,
FIG. 6 is a bottom view thereof.
The details shown in broken lines forms no part of the claimed design.

1 Claim, 2 Drawing Sheets



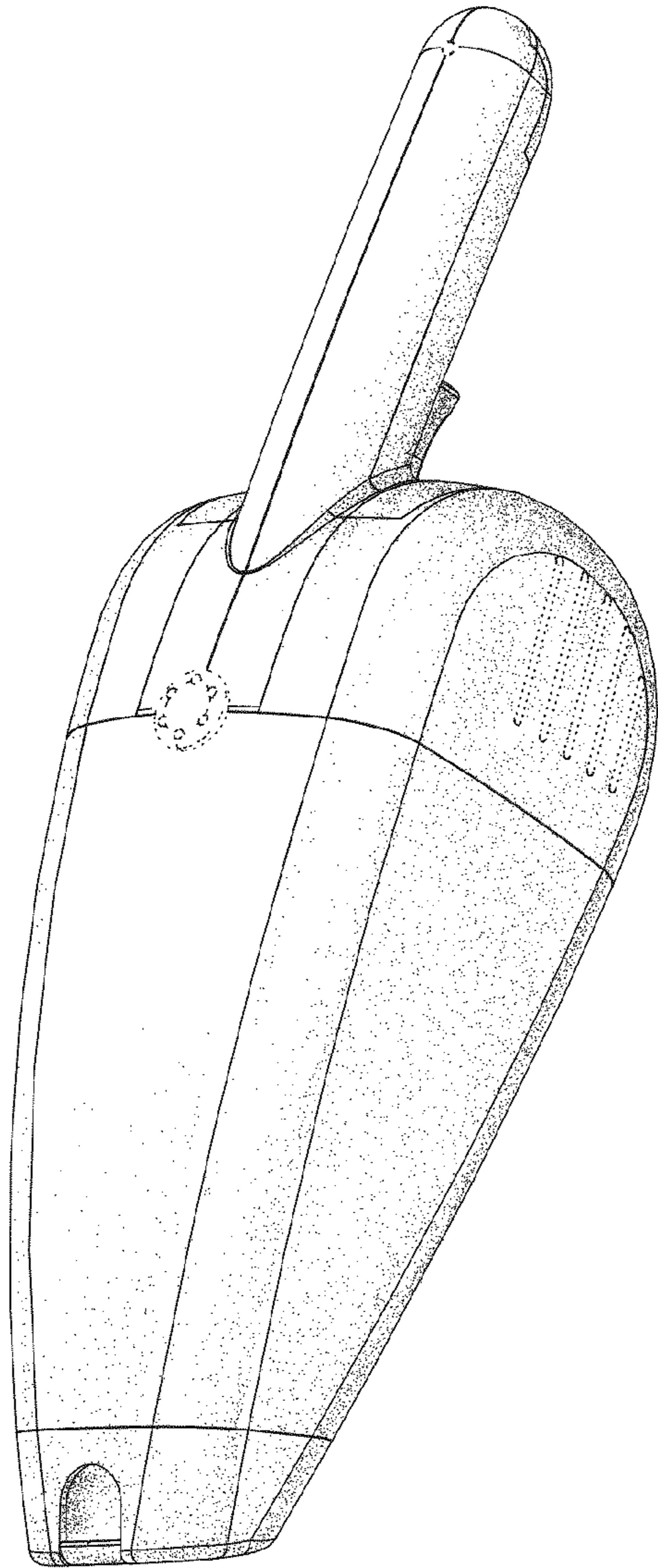


Fig. 1

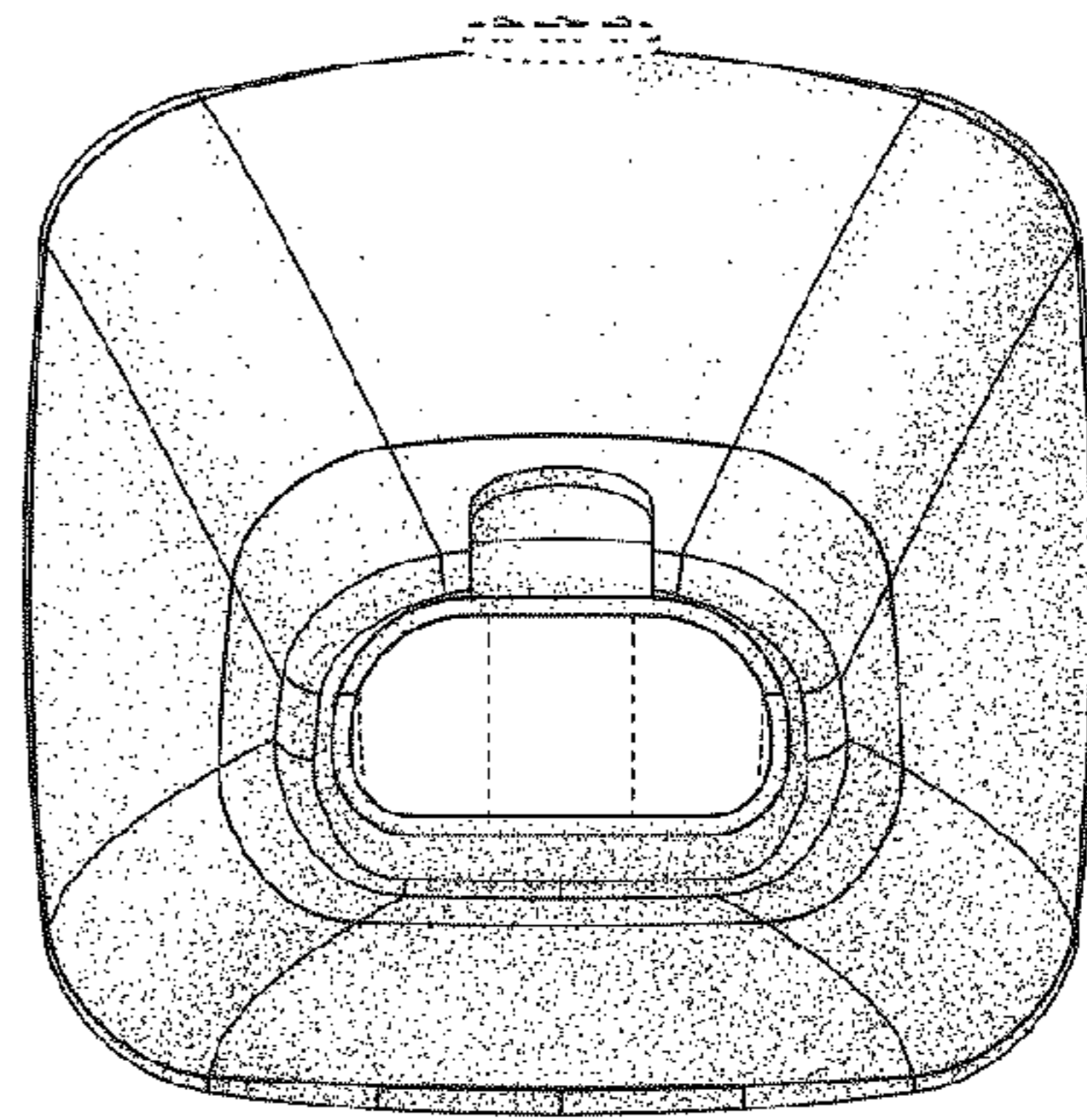


Fig. 2

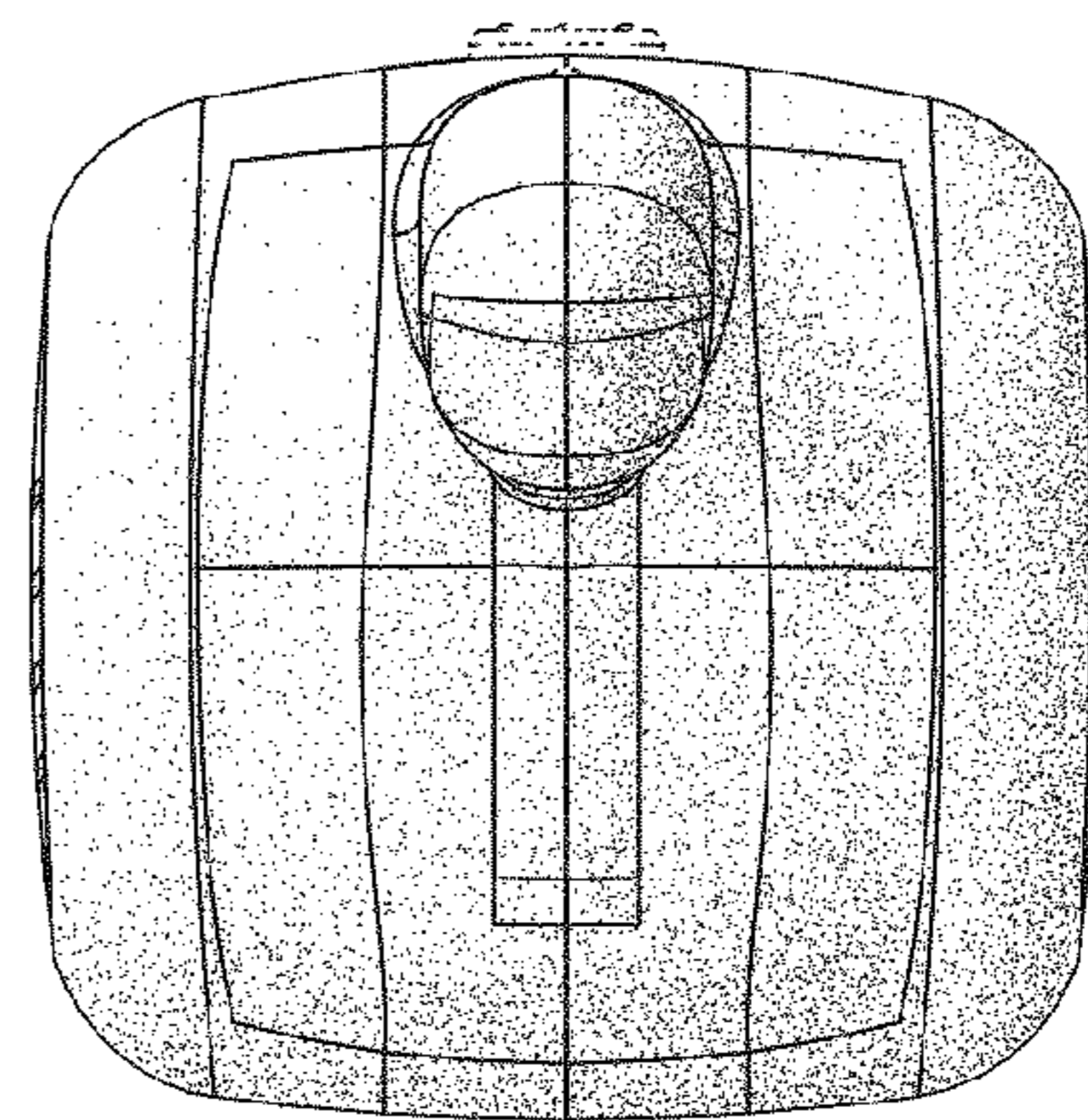


Fig. 3

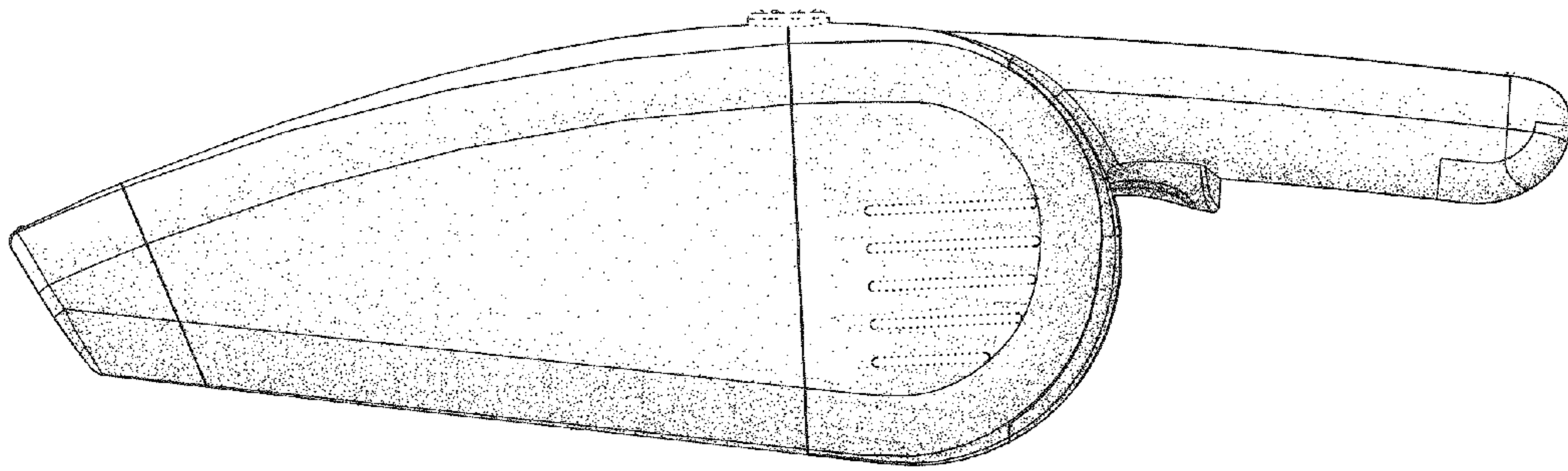


Fig. 4

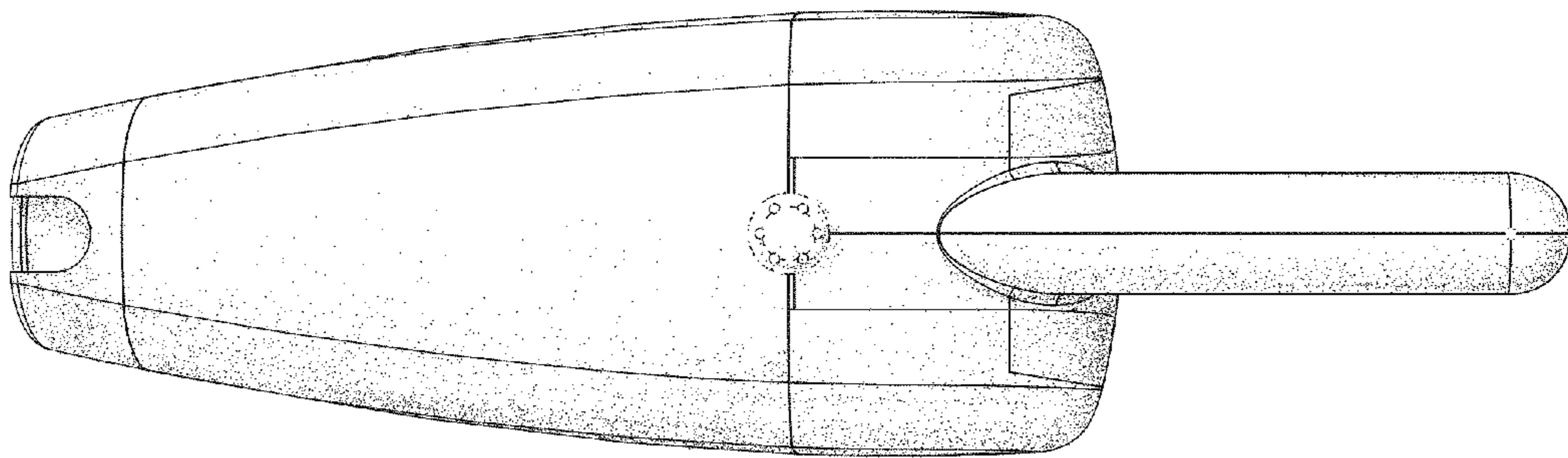


Fig. 5

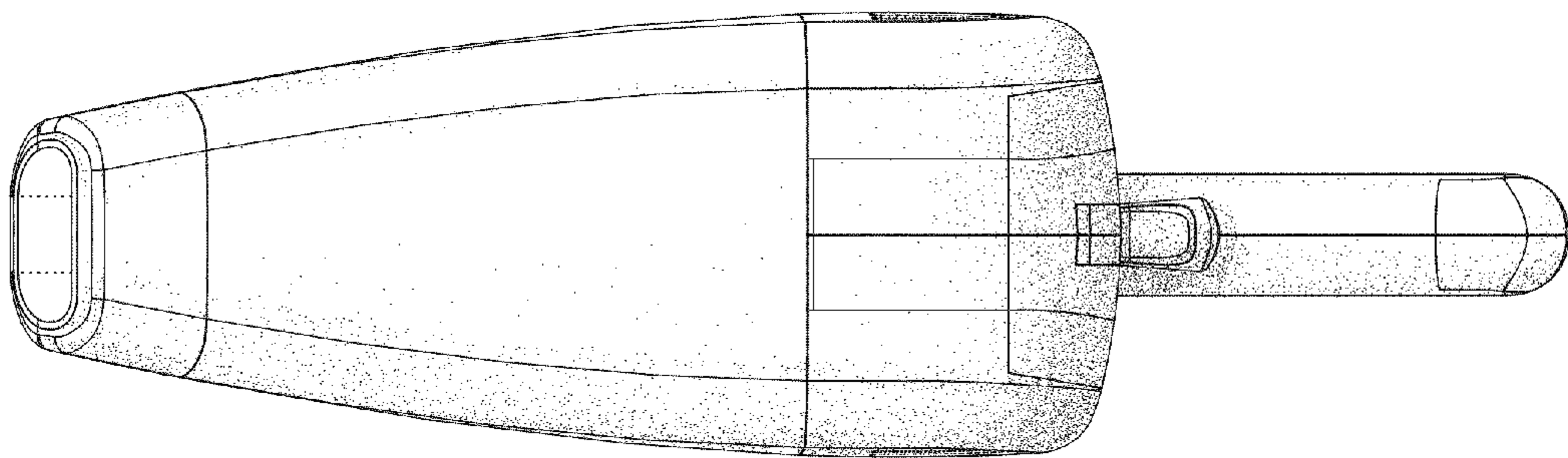


Fig. 6