



US00D648493S

(12) **United States Design Patent**
Alexander et al.

(10) **Patent No.:** **US D648,493 S**

(45) **Date of Patent:** **** Nov. 8, 2011**

(54) **PRESSURE WASHER**

(75) Inventors: **Gus Alexander**, Inverness, IL (US);
Ryan D Sherwood, Chicago, IL (US);
Christopher C Alexander, Chicago, IL
(US); **William N Alexander**, Inverness,
IL (US)

(73) Assignee: **FNA IP Holdings, Inc.**, Elk Grove
Village, IL (US)

(**) Term: **14 Years**

(21) Appl. No.: **29/376,250**

(22) Filed: **Oct. 4, 2010**

(51) **LOC (9) Cl.** **15-05**

(52) **U.S. Cl.** **D32/15**

(58) **Field of Classification Search** D32/15-18,
D32/1, 21; D23/225; 15/315, 320-321,
15/340.1, 344-345, 412, 414, 415.1; 239/146-149,
239/525, 722; 417/360, 364

See application file for complete search history.

(56) **References Cited**

U.S. PATENT DOCUMENTS

D338,292 S *	8/1993	Schmitz et al.	D32/21
D368,993 S *	4/1996	Stutzer et al.	D32/21
D381,779 S *	7/1997	Pritchett et al.	D32/21
D488,596 S *	4/2004	Cattaneo	D32/15
D489,497 S *	5/2004	Cattaneo	D32/15
D489,498 S *	5/2004	Cattaneo	D32/15
D490,948 S *	6/2004	Cattaneo	D32/15
D551,813 S *	9/2007	Renner	D32/15

D551,814 S *	9/2007	Renner	D32/15
D556,959 S *	12/2007	Li	D32/15
D559,481 S *	1/2008	Renner	D32/15
D560,046 S *	1/2008	Renner	D32/15
D564,147 S *	3/2008	Li	D32/15
D568,557 S *	5/2008	Alexander	D32/15
D570,060 S *	5/2008	Renner et al.	D32/15
D591,014 S *	4/2009	Li	D32/15
D614,822 S *	4/2010	Gebhardt et al.	D32/21
2005/0189437 A1 *	9/2005	Alexander et al.	239/332

* cited by examiner

Primary Examiner — T. Chase Nelson

Assistant Examiner — Kathleen M Sims

(74) *Attorney, Agent, or Firm* — Cook Alex Ltd.

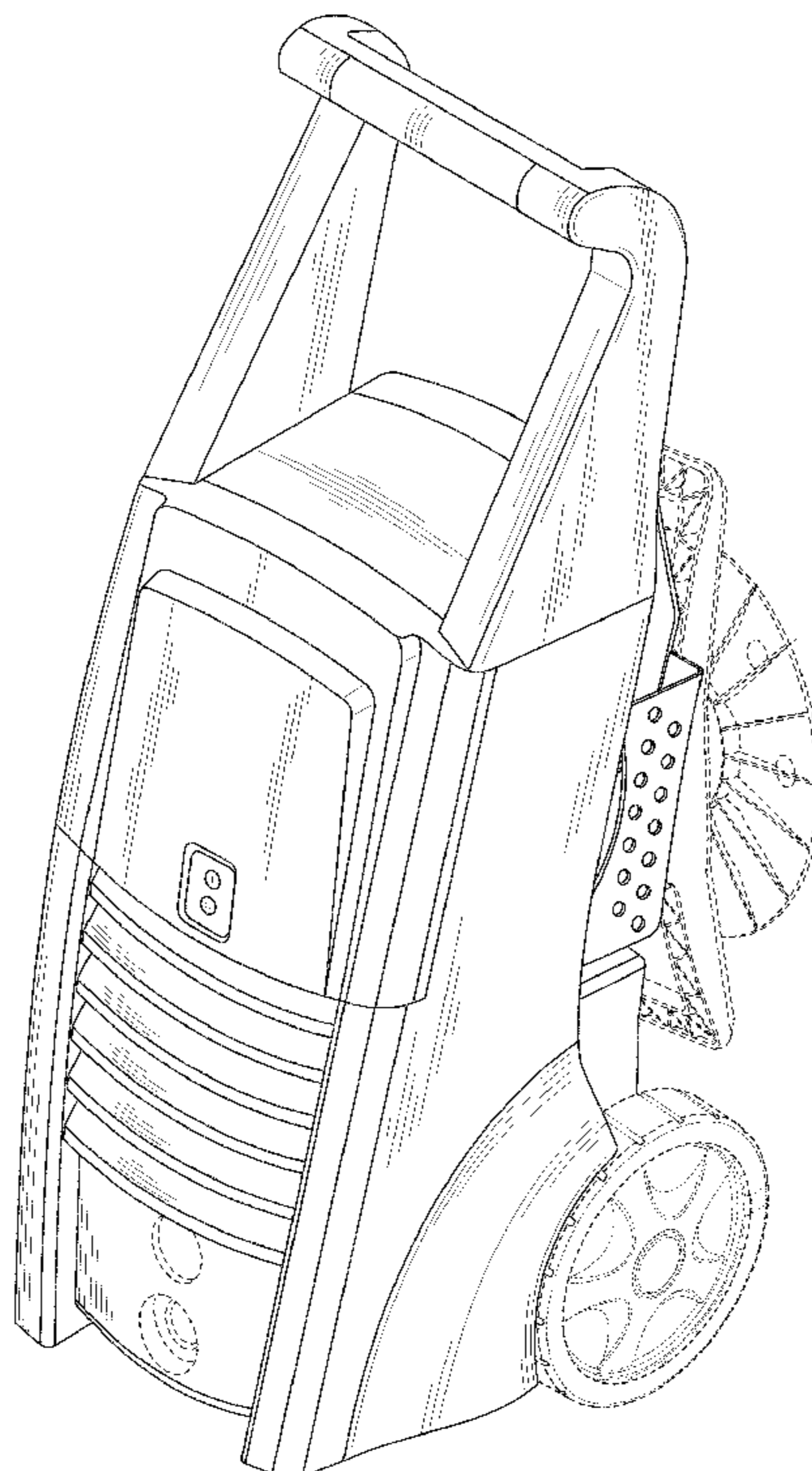
(57) **CLAIM**

The ornamental design for a pressure washer, as shown and described.

DESCRIPTION

FIG. 1 is a perspective view of a pressure washer;
FIG. 2 is a front elevation view thereof;
FIG. 3 is a rear elevation view thereof;
FIG. 4 is a left side elevation view thereof;
FIG. 5 is a right side elevation view thereof;
FIG. 6 is a top plan view thereof; and,
FIG. 7 is a bottom plan view thereof.
The broken lines in FIGS. 1-7 are for illustrative purposes
only and form no part of the claimed design.

1 Claim, 6 Drawing Sheets



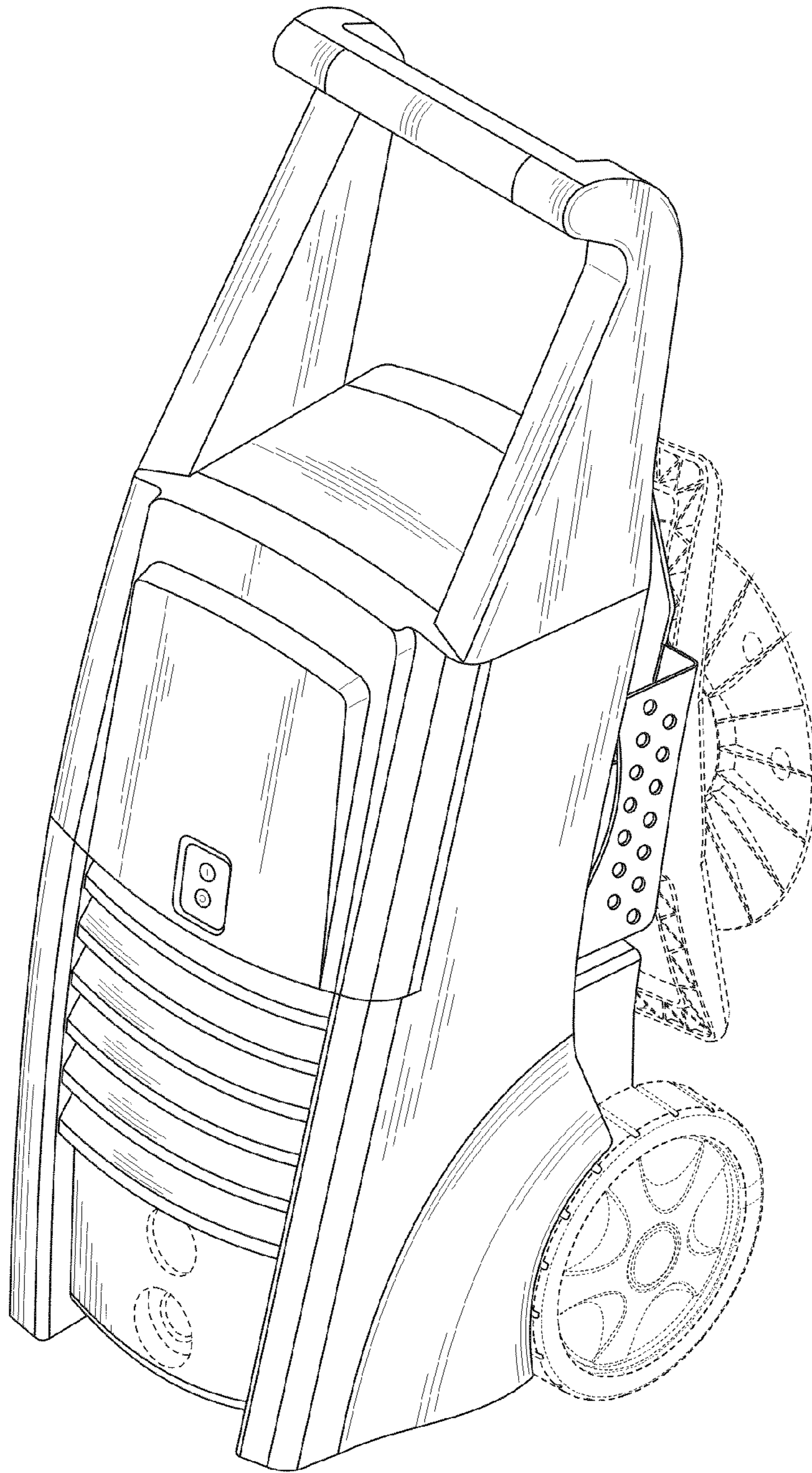


Fig. 1

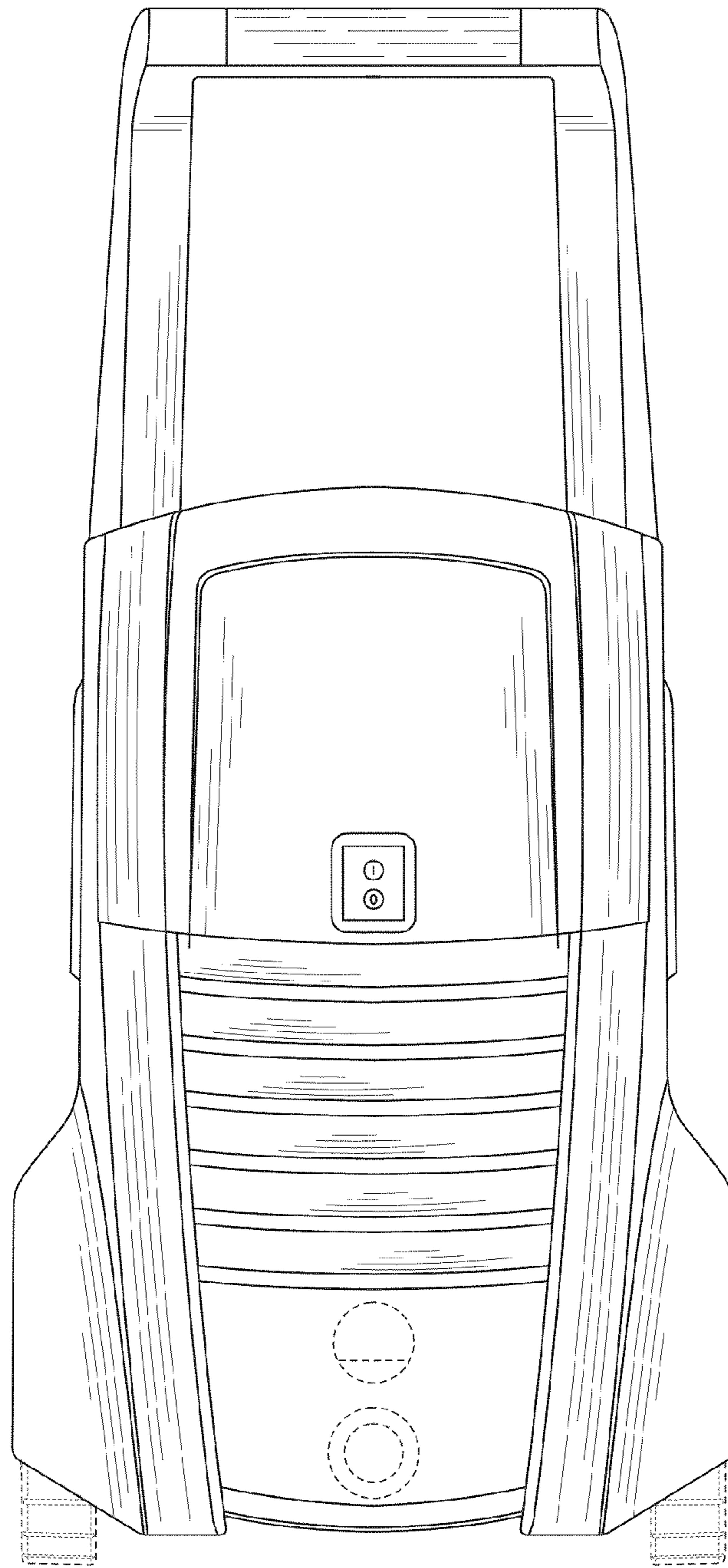


Fig. 2

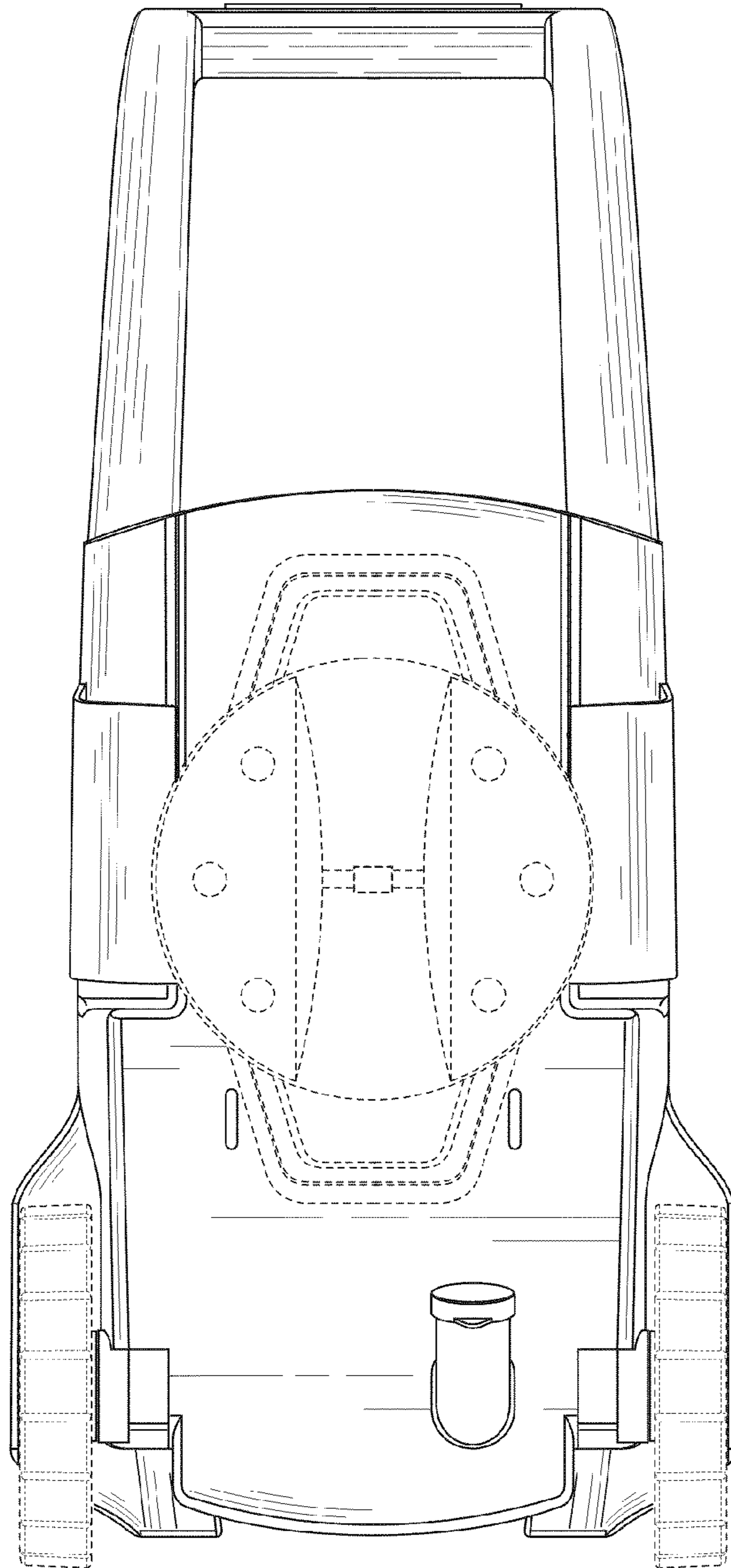


Fig. 3

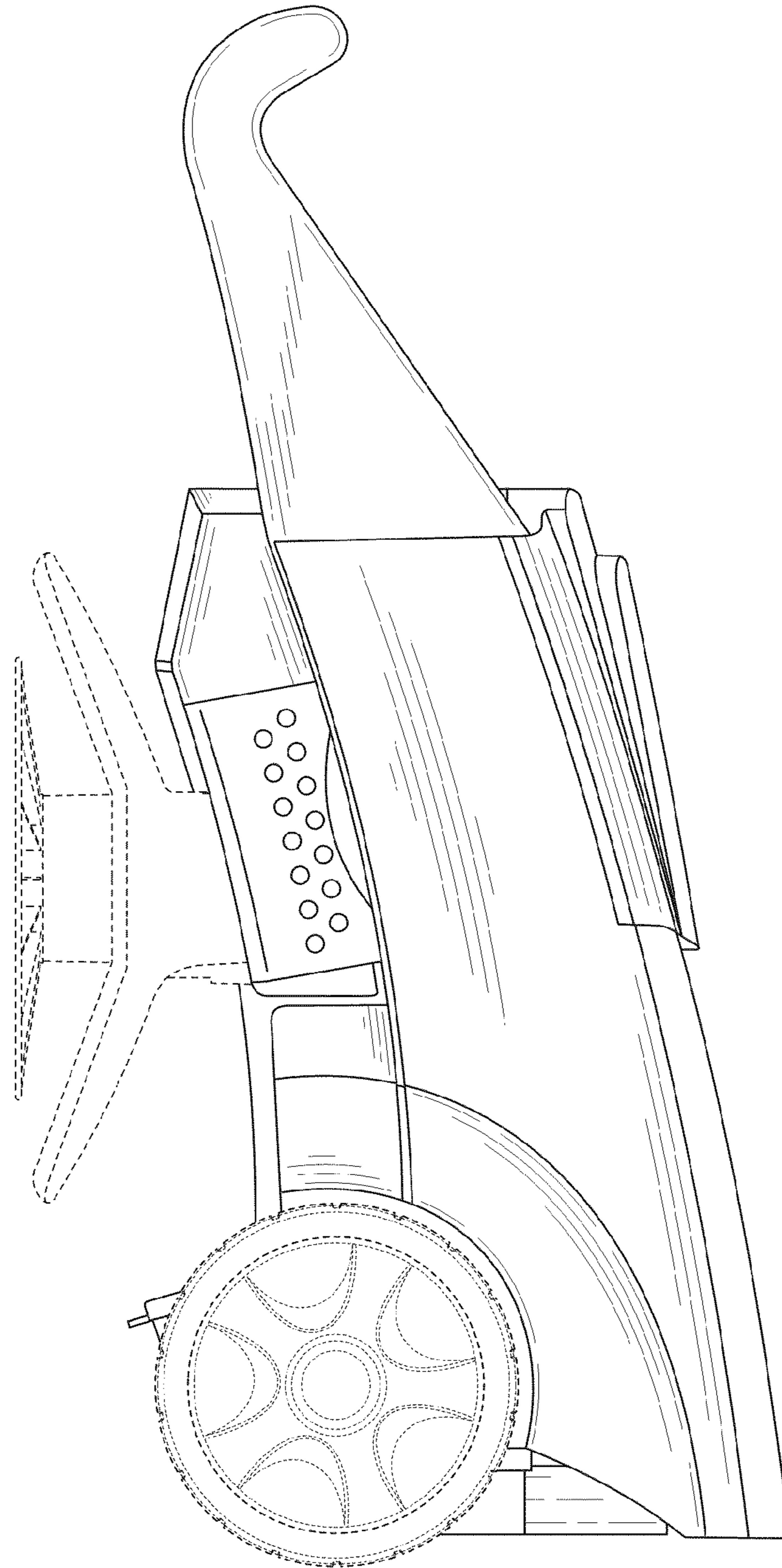


Fig. 4

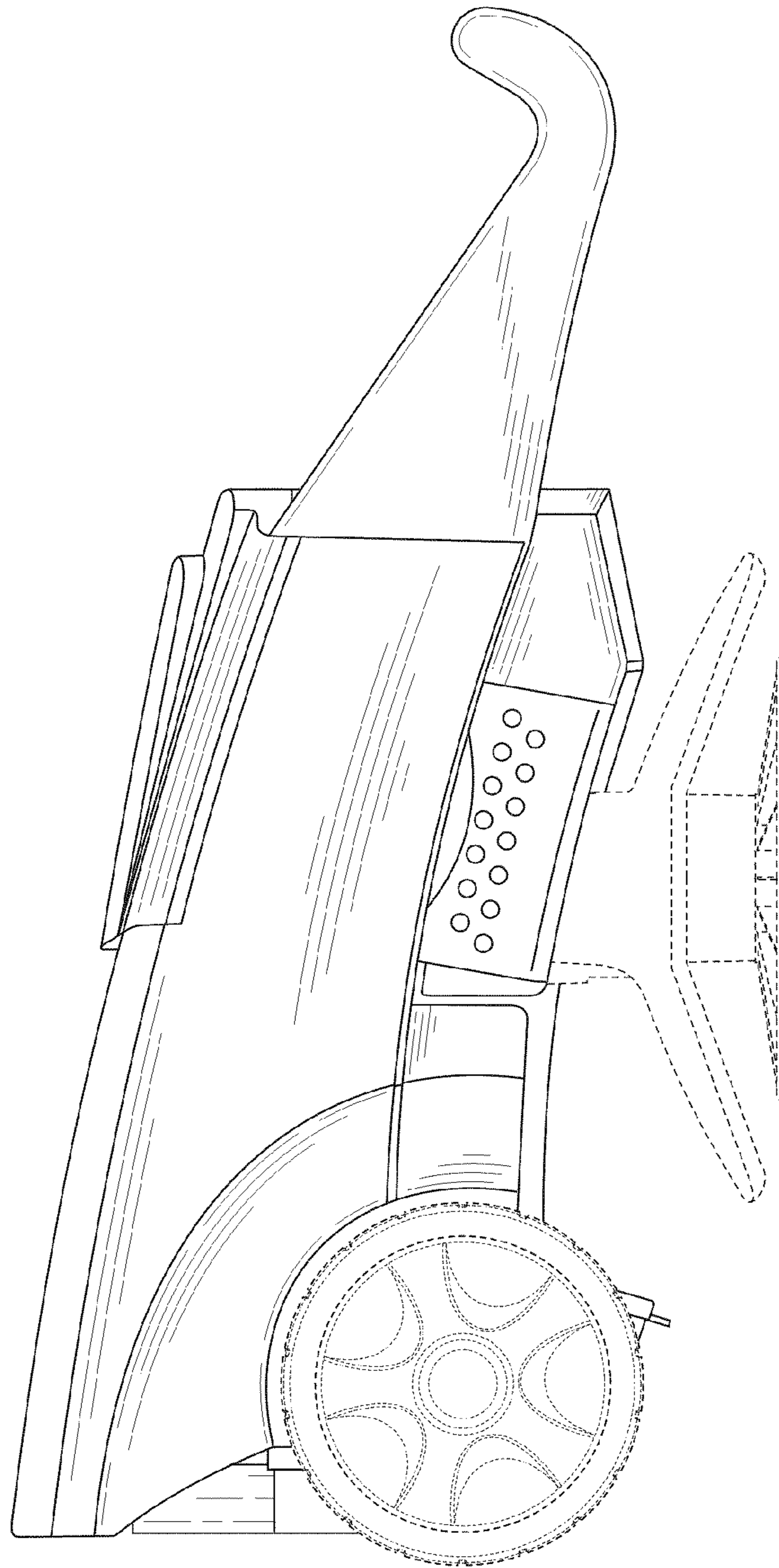


Fig. 5

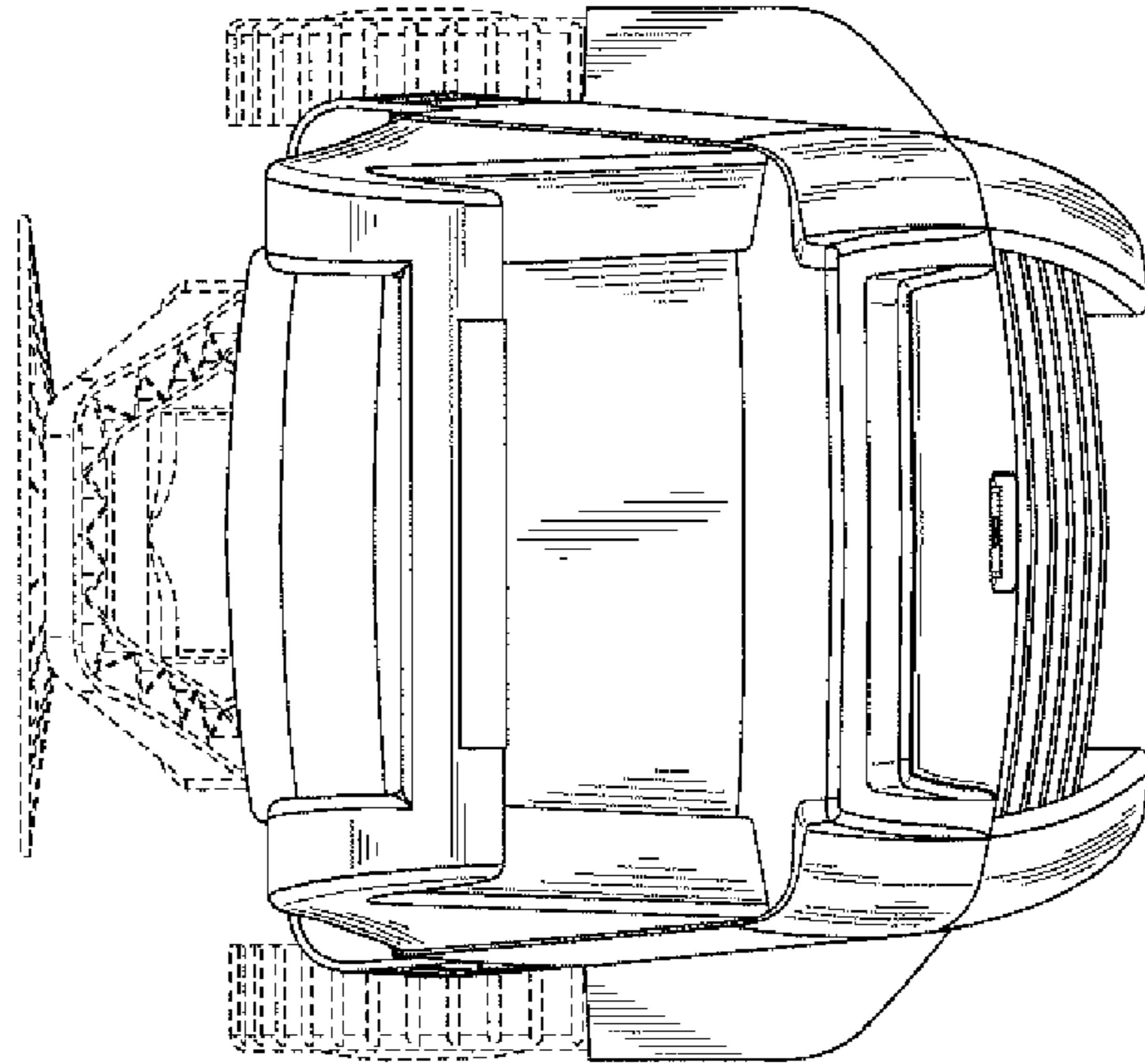


Fig. 6

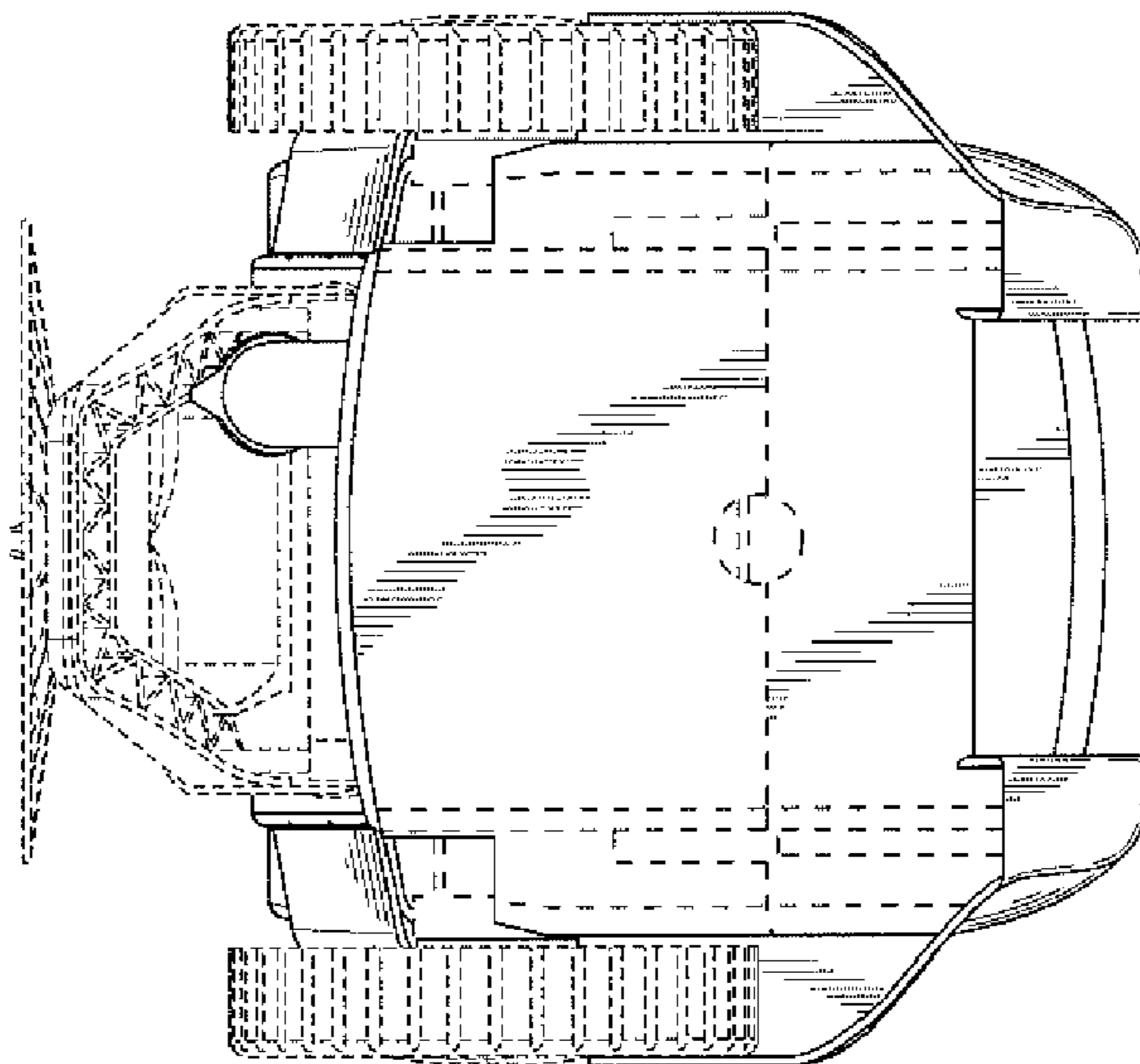


Fig. 7