



US00D648492S

(12) **United States Design Patent**  
**Able**

(10) **Patent No.:** **US D648,492 S**

(45) **Date of Patent:** **\*\* Nov. 8, 2011**

(54) **PET BOWL**

(75) Inventor: **Rich Able**, Tacoma, WA (US)

(73) Assignee: **Modapet, Inc.**, Reno, NV (US)

(\*\*) Term: **14 Years**

(21) Appl. No.: **29/365,229**

(22) Filed: **Jul. 6, 2010**

(51) **LOC (9) Cl.** ..... **30-03**

(52) **U.S. Cl.** ..... **D30/129; D30/130**

(58) **Field of Classification Search** ..... D30/121,  
D30/122, 129-133; 119/61.5, 51.01, 61.56,  
119/51.03, 59, 62, 63, 51.5, 57.8, 74, 61.54,  
119/61.55; 312/204; 248/151, 188; 108/156,  
108/153.1-157; 220/23.87, 630, 737, 743,  
220/9.4, 495.01, 574, 212, 255, 23.83; 206/515;  
D7/586, 543, 550.1, 587, 505, 584, 545, 500,  
D7/553.1-553.8, 546, 555, 556, 504, 565,  
D7/562, 602; D9/429; 43/109; D22/122;  
99/430, DIG. 15

See application file for complete search history.

(56) **References Cited**

**U.S. PATENT DOCUMENTS**

D3,221 S	11/1868	Fry	
D6,613 S	4/1873	Atterbury	
D6,805 S	8/1873	Hobbs	
D28,733 S	5/1898	Davies	
D30,267 S	2/1899	Healy	
D41,092 S	1/1911	Steimer	
D41,413 S	5/1911	Anderson	
D43,852 S *	4/1913	Sanford	D7/565
D44,996 S *	12/1913	Buser	D8/374
D45,118 S	2/1914	Feeney	
D50,401 S *	2/1917	Miller	D7/565
D52,816 S	12/1918	Beiswanger	
D64,850 S *	6/1924	Heisey	D7/565
D69,040 S	12/1925	Loomis	
D76,507 S *	10/1928	Vericel	D7/354
D101,140 S *	9/1936	Robertson	D30/129

2,121,165 A	6/1938	Slobodkin
D117,734 S	11/1939	Hobson
2,781,651 A	2/1957	Cutler
D187,604 S	4/1960	Dreitzen
D190,668 S	6/1961	Bliss

(Continued)

**OTHER PUBLICATIONS**

Web pages of dog bowls from All Pet Furniture.com, 18 pp., downloaded from www.allpetfurniture.com on Jun. 10, 2010.

(Continued)

*Primary Examiner* — Susan M Lee

(74) *Attorney, Agent, or Firm* — Klarquist Sparkman, LLP

(57) **CLAIM**

The ornamental design for a pet bowl, as shown and described.

**DESCRIPTION**

FIG. 1 is a front perspective view of the new design for a pet bowl.

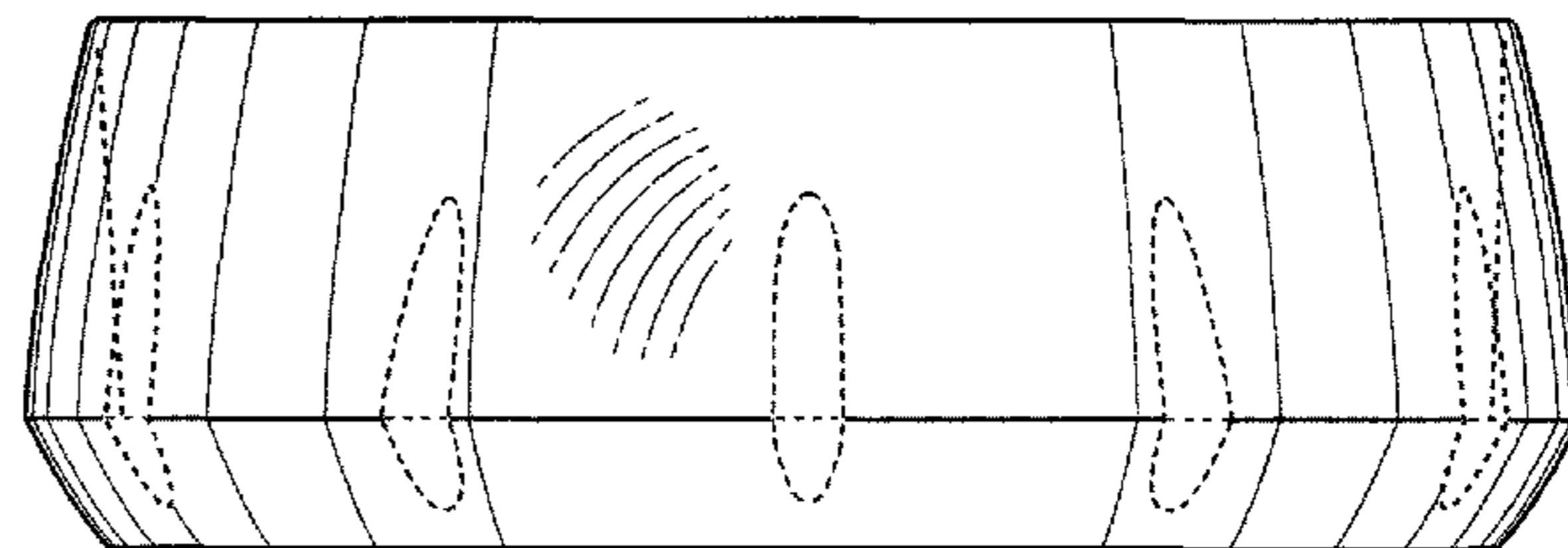
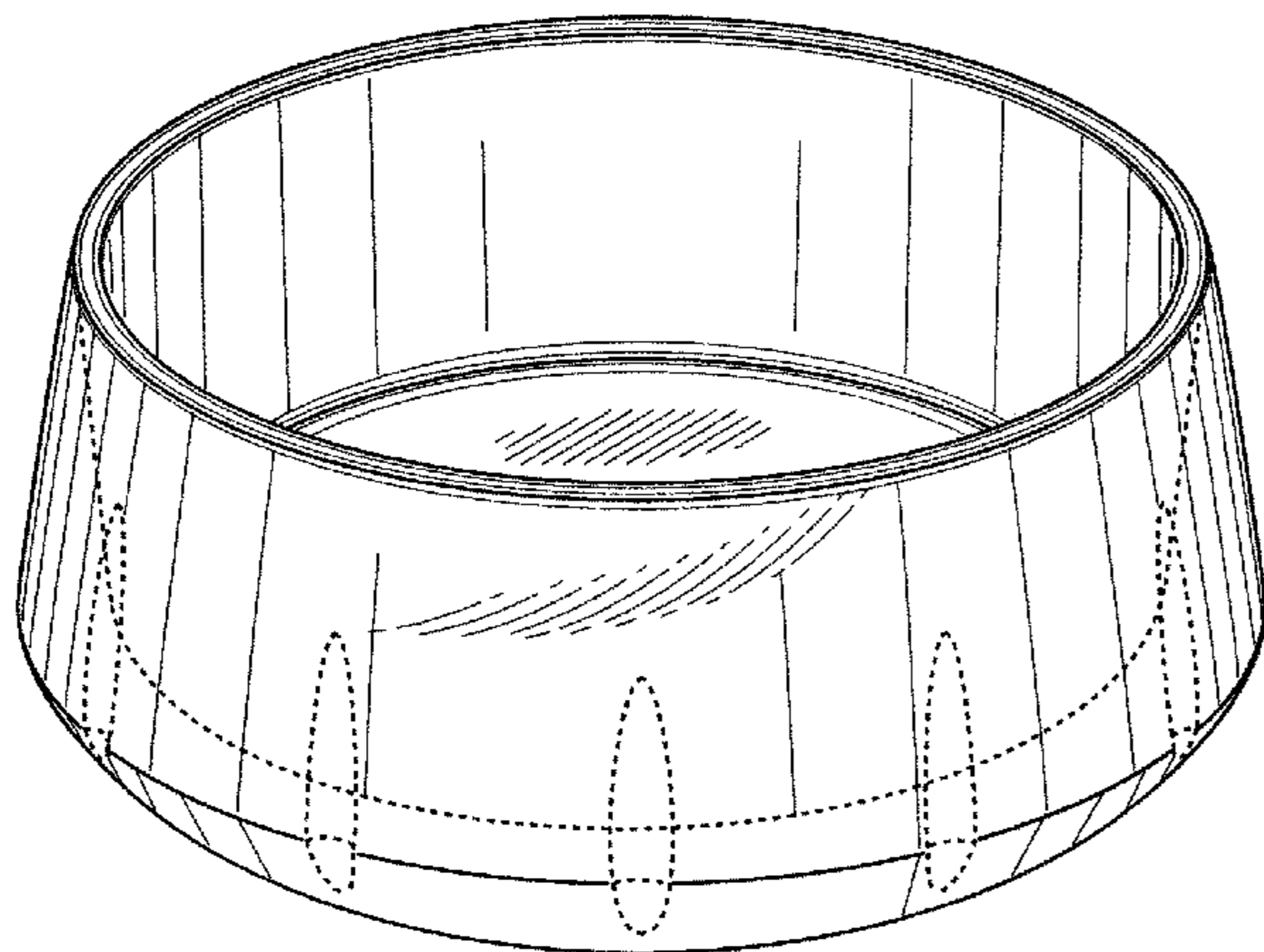
FIG. 2 is a top plan view of the new design of FIG. 1

FIG. 3 is a bottom plan view of the new design of FIG. 1; and, FIG. 4 is a front elevational view of the new design of FIG. 1.

The back elevational view of the new design being a mirror image.

In the figures, the thinner solid lines appearing on the surface of the pet bowl are shading lines used to indicate the bowl's contoured surfaces. The uneven broken lines on the surface of the upper exterior portion of the bowl are shown for purposes of indicating that the upper exterior portion of the bowl is partially transparent. The exterior side wall of a non-transparent inner bowl portion is visible through the partially transparent upper exterior portion of the bowl. The even broken lines in the figures are shown for purposes of illustrating environmental structure and form no part of the claimed design.

**1 Claim, 2 Drawing Sheets**



U.S. PATENT DOCUMENTS

D196,315 S 9/1963 Corey  
 D201,192 S 5/1965 Nell  
 D201,194 S 5/1965 Nell  
 3,183,545 A \* 5/1965 Bergstrom ..... 16/42 R  
 3,202,131 A \* 8/1965 Jones ..... 119/61.54  
 D214,130 S 5/1969 Appel  
 D219,302 S \* 11/1970 Dalton ..... D7/354  
 D230,001 S 1/1974 Wright  
 D240,885 S 8/1976 Benes  
 D248,076 S 6/1978 Christian  
 D248,269 S \* 6/1978 Schreckengost ..... D7/565  
 D248,526 S 7/1978 Benes  
 D249,967 S 10/1978 Benes  
 D269,586 S 7/1983 Allgeyer et al.  
 D270,416 S 9/1983 Thrush  
 D281,754 S \* 12/1985 Trombly ..... D7/540  
 D289,248 S 4/1987 Joaquin  
 4,784,086 A 11/1988 Hand et al.  
 4,827,874 A 5/1989 Mahan  
 D304,659 S \* 11/1989 Asner ..... D7/505  
 D307,231 S 4/1990 Ciaccio  
 D310,464 S \* 9/1990 Laib ..... D7/615  
 D315,658 S \* 3/1991 Scherer ..... D7/560  
 D316,360 S \* 4/1991 Thorp ..... D7/565  
 5,031,575 A 7/1991 Phillips  
 5,069,166 A \* 12/1991 Ahuna ..... 119/61.53  
 5,069,167 A \* 12/1991 Kasselmann ..... 119/61.53  
 D323,097 S \* 1/1992 Picozza ..... D7/542  
 D324,324 S \* 3/1992 Picozza ..... D7/565  
 D329,782 S \* 9/1992 Narsutis ..... D7/629  
 5,205,242 A \* 4/1993 Kasselmann ..... 119/61.53  
 D340,554 S \* 10/1993 Wheeler ..... D30/129  
 D340,638 S \* 10/1993 Campbell ..... D8/374  
 D341,057 S 11/1993 Lundberg et al.  
 D341,449 S \* 11/1993 Conner ..... D30/129  
 D344,370 S \* 2/1994 Dryden et al. .... D30/129  
 D371,938 S \* 7/1996 Davis ..... D7/540  
 D373,284 S 9/1996 Hirst  
 D376,954 S \* 12/1996 Burns et al. .... D7/560  
 D381,472 S \* 7/1997 Catalano et al. .... D30/130  
 D382,766 S 8/1997 Hamada et al.  
 D385,749 S \* 11/1997 Ebrahim et al. .... D7/565  
 D403,555 S \* 1/1999 Burns et al. .... D7/509  
 D407,949 S \* 4/1999 Henry ..... D7/562  
 D412,226 S 7/1999 Bellehumeur

D420,854 S 2/2000 Michaeli  
 D423,149 S \* 4/2000 Cooper et al. .... D30/129  
 D426,104 S 6/2000 Bradley  
 D426,427 S \* 6/2000 Rubbright et al. .... D7/565  
 D443,395 S \* 6/2001 Suns ..... D30/129  
 D451,348 S \* 12/2001 Benson ..... D7/565  
 D454,990 S 3/2002 Lorenzana  
 D460,019 S 7/2002 Thimm  
 D465,884 S 11/2002 Ross  
 D469,311 S 1/2003 Stone et al.  
 D471,404 S \* 3/2003 Gady ..... D7/523  
 D482,967 S \* 12/2003 Bourque et al. .... D9/435  
 D491,696 S 6/2004 Cole et al.  
 D493,664 S 8/2004 Siegel et al.  
 D507,148 S 7/2005 Spagnolo  
 D511,437 S \* 11/2005 Brown ..... D7/602  
 D514,750 S 2/2006 Matula  
 D523,996 S \* 6/2006 Fine ..... D30/129  
 D543,787 S \* 6/2007 Wasserman et al. .... D7/570  
 D546,127 S 7/2007 Vovan  
 D557,972 S \* 12/2007 Ablo ..... D7/354  
 D574,705 S \* 8/2008 Kortleven ..... D9/428  
 D583,658 S \* 12/2008 Follansbee et al. .... D9/425  
 D589,789 S 4/2009 Follansbee et al.  
 D594,285 S 6/2009 Mery  
 D597,793 S \* 8/2009 Krueger et al. .... D7/538  
 D603,222 S \* 11/2009 Krueger et al. .... D7/538  
 D620,556 S \* 7/2010 Hillhouse et al. .... D23/235  
 D629,641 S 12/2010 Kuan  
 D636,945 S \* 4/2011 Anderson et al. .... D30/129  
 D636,946 S \* 4/2011 Able ..... D30/129  
 D638,290 S \* 5/2011 Cimmerer et al. .... D9/429  
 D640,098 S \* 6/2011 Seager ..... D7/562  
 D640,100 S \* 6/2011 Shing ..... D7/586

OTHER PUBLICATIONS

Web pages of dog bowls and treat jars from Calling All Dogs Dog, 4 pp., downloaded from www.callingalldogs.com on Jun. 10, 2010.  
 Web pages of dog bowls, feeders, & waterers from Petco, 5 pp., downloaded from www.petco.com on Jun. 10, 2010.  
 Web pages of dog bowls from PetSmart, 6 pp., downloaded from www.petsmart.com on Jun. 10, 2010.  
 Web pages of dog bowls from The Pampered Pup, 9 pp, downloaded from www.thepamperedpup.com on Jun. 10, 2010.

\* cited by examiner

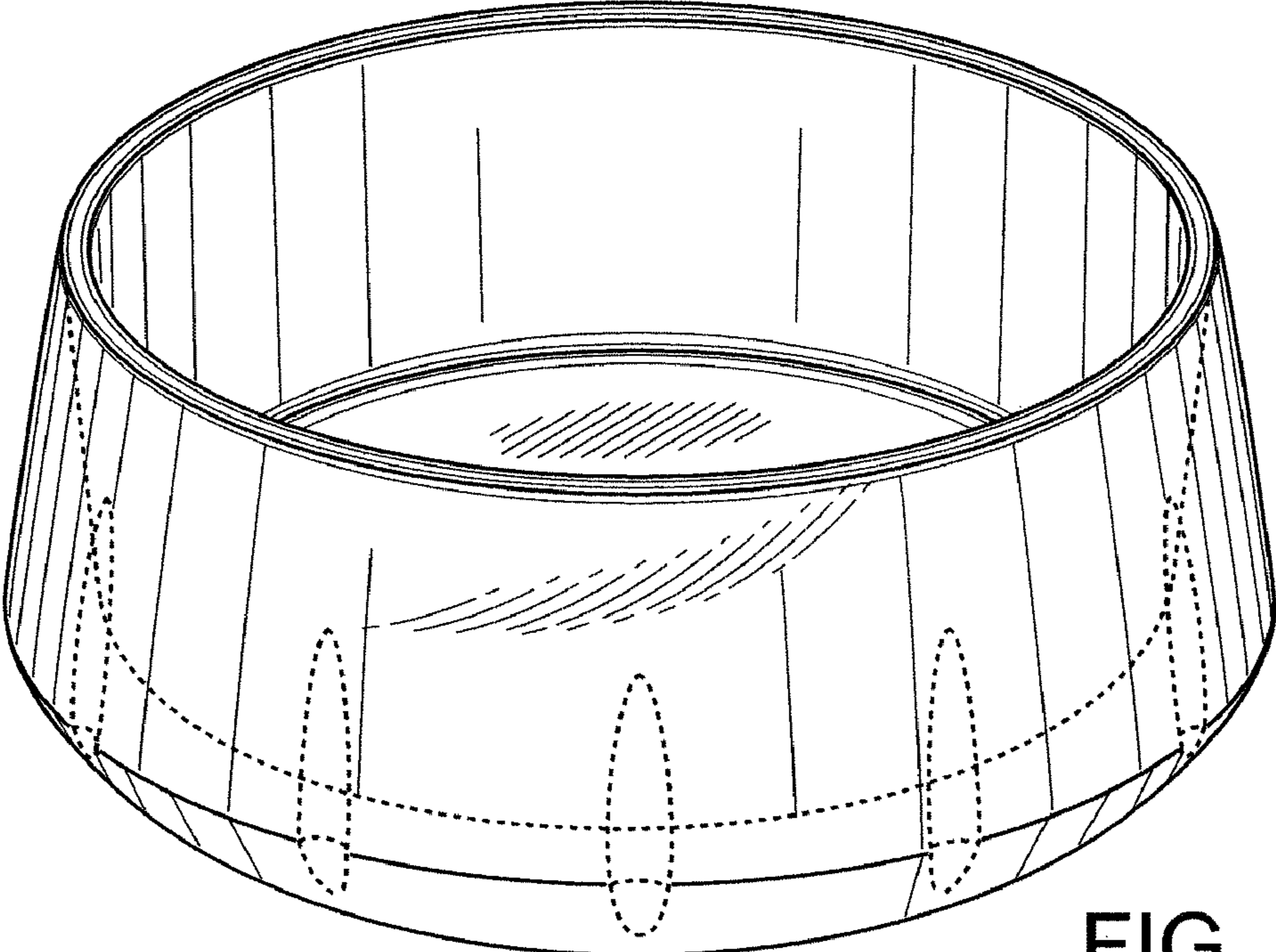


FIG. 1

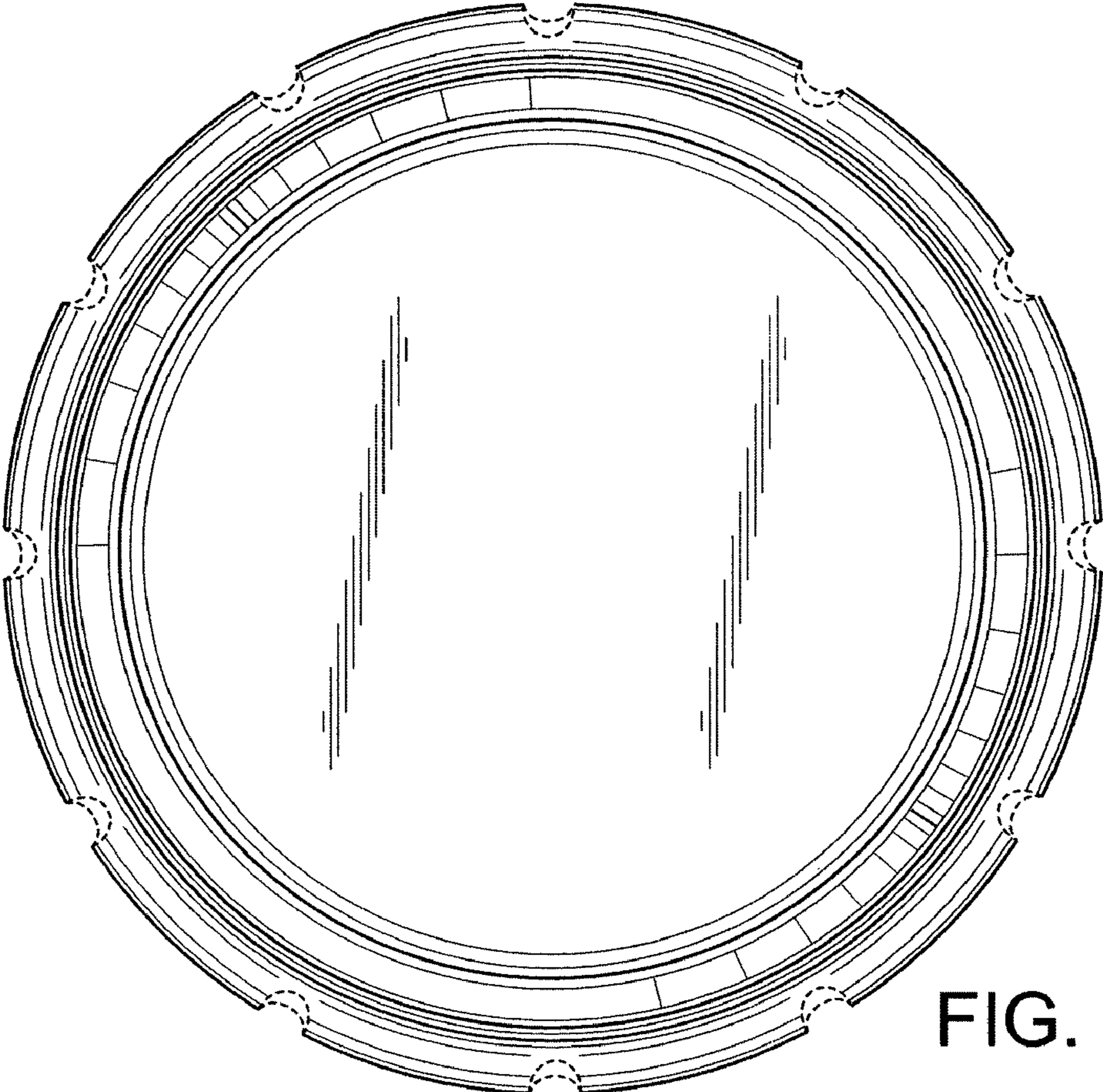


FIG. 2

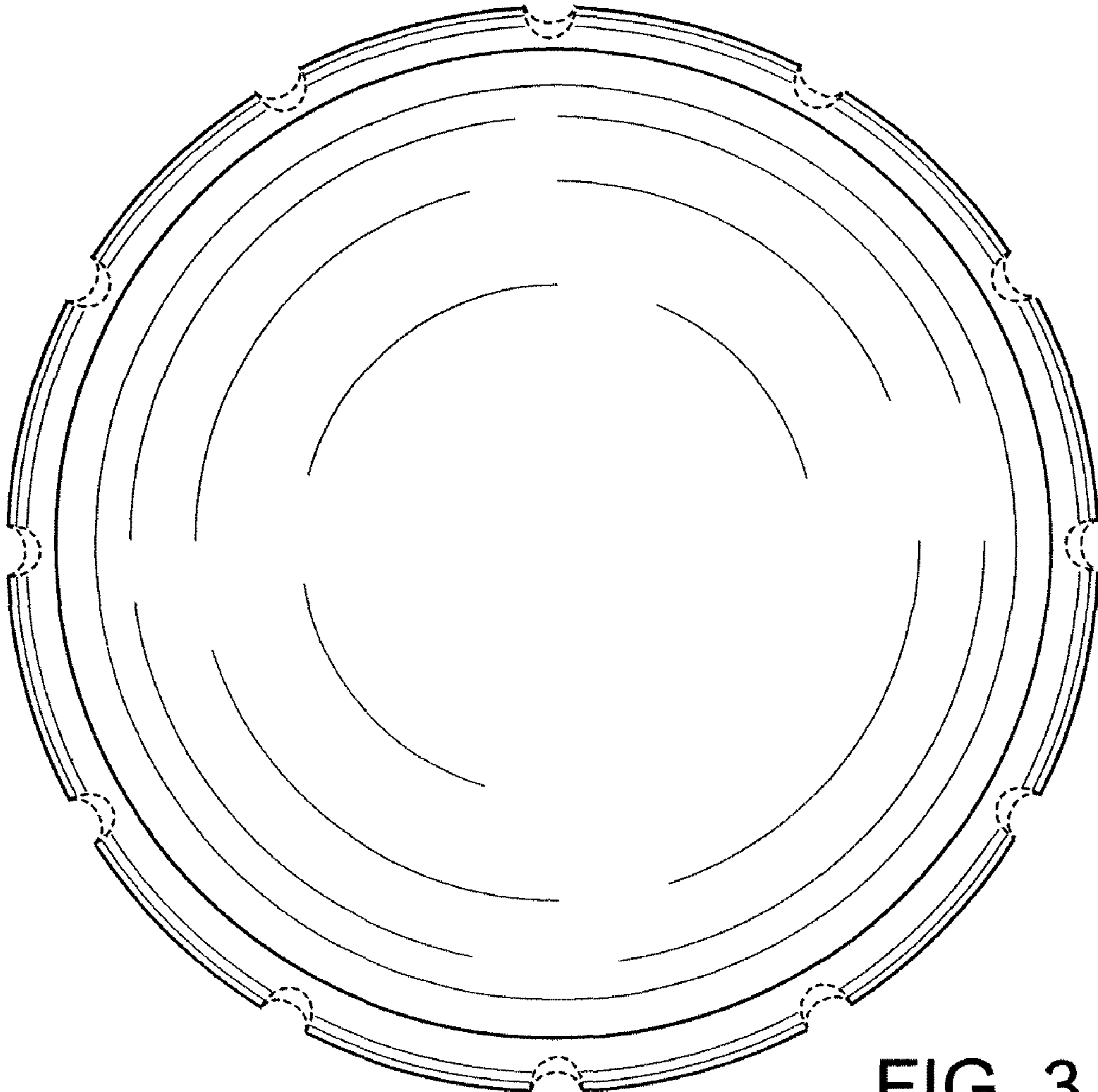


FIG. 3

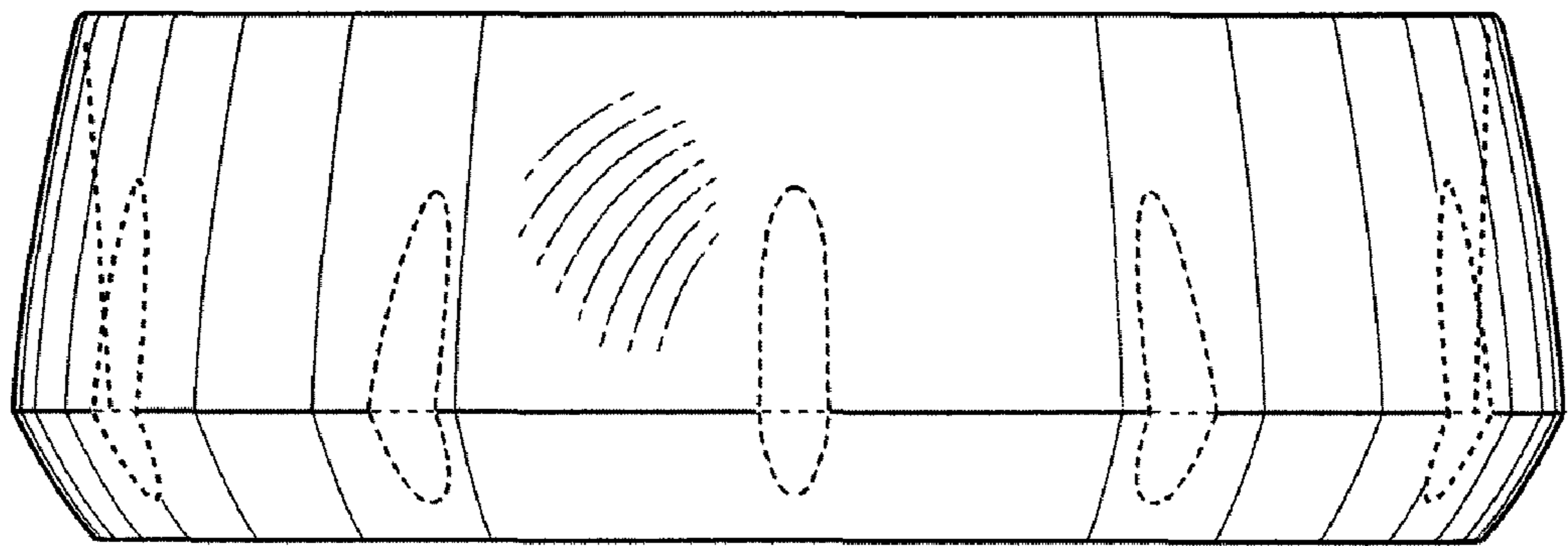


FIG. 4