



US00D648487S

(12) **United States Design Patent**  
**Demaree**

(10) **Patent No.:** **US D648,487 S**  
(45) **Date of Patent:** **\*\* Nov. 8, 2011**

(54) **FINGER PROTECTOR AND NAIL COVERING KIT**

(76) Inventor: **Tammy L. Demaree**, New Ross, IN (US)

(\*\*) Term: **14 Years**

(21) Appl. No.: **29/394,423**

(22) Filed: **Jun. 16, 2011**

(51) **LOC (9) Cl.** ..... **28-03**

(52) **U.S. Cl.** ..... **D28/56; D29/114**

(58) **Field of Classification Search** ..... D2/610, D2/614, 62; D7/695; D24/190; D28/56, D28/57; D29/113, 114, 123, 120.1; 2/16, 2/21, 163; 34/95.2; 128/880; 132/73.5, 132/200, 285; 451/523

See application file for complete search history.

(56) **References Cited**

U.S. PATENT DOCUMENTS

617,929	A *	1/1899	Fowble	.....	2/21
1,854,047	A *	4/1932	Kurtz, Jr.	.....	2/21
2,283,703	A *	5/1942	Stedman	.....	132/285
2,287,062	A	6/1942	Powers et al.		
D147,797	S *	11/1947	Kayer	.....	D28/56
3,070,804	A *	1/1963	Parrilla	.....	2/21
3,515,154	A	6/1970	La Morgese		
4,287,899	A *	9/1981	Robichaud	.....	132/73
D278,368	S *	4/1985	Valentiner	.....	D28/56
D293,379	S *	12/1987	Link	.....	D24/190
4,809,366	A *	3/1989	Pratt	.....	2/170
D329,923	S *	9/1992	Thaxton	.....	D28/56
5,143,100	A	9/1992	Kawakami		
5,150,726	A	9/1992	Rucker		

5,186,189	A *	2/1993	Harris	.....	132/285
D335,938	S *	5/1993	Kam	.....	D29/114
5,282,276	A *	2/1994	Preiose	.....	2/21
5,577,521	A	11/1996	Neitlich		
5,743,277	A *	4/1998	Moreshead	.....	132/200
5,803,094	A *	9/1998	Becker et al.	.....	132/200
5,924,428	A	7/1999	Song		
D463,069	S	9/2002	Sammons		
D488,588	S *	4/2004	Murphy	.....	D29/114
D545,503	S *	6/2007	Ryscavage	.....	D29/114

\* cited by examiner

*Primary Examiner* — Karen E Eldridge Powers

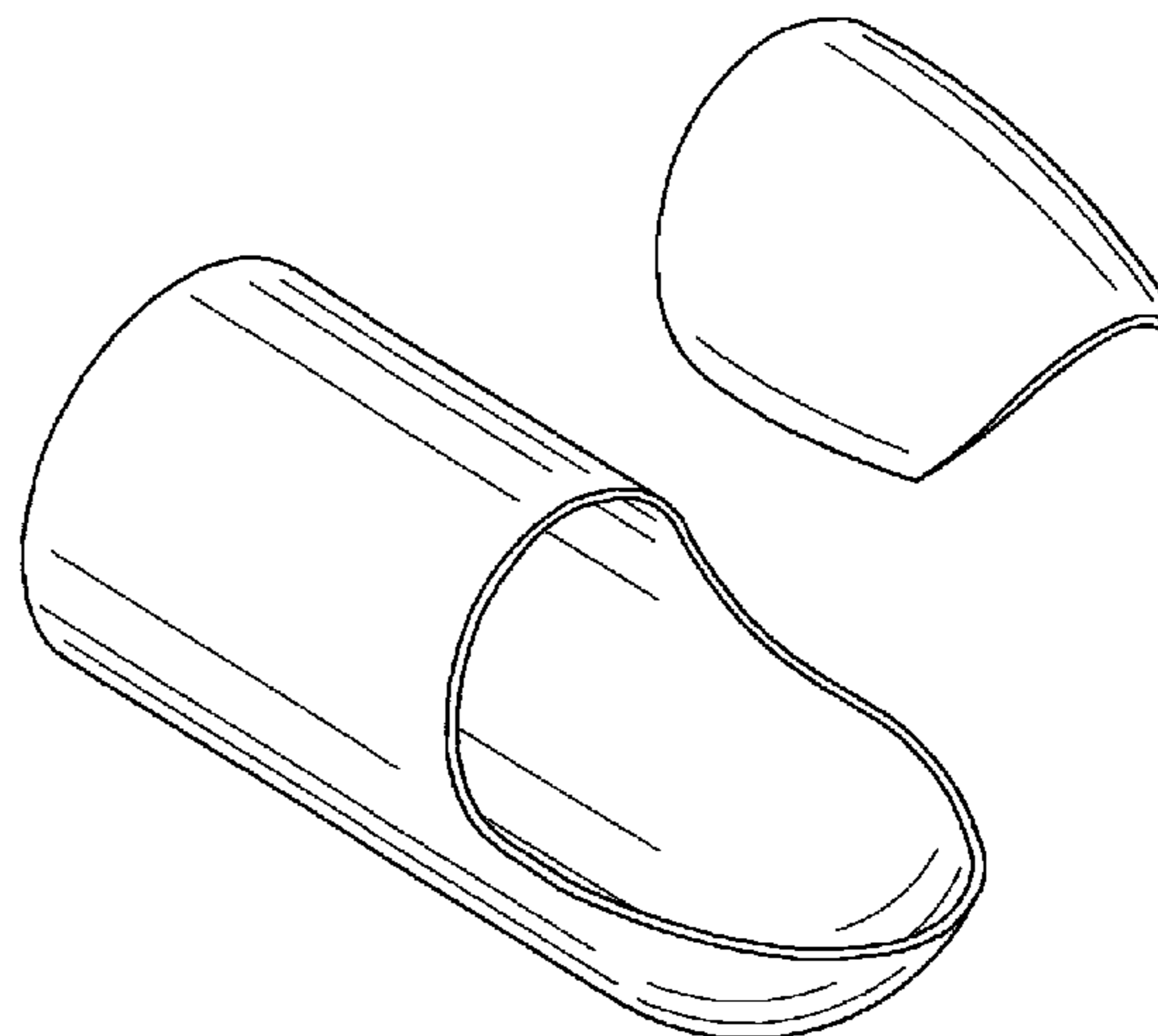
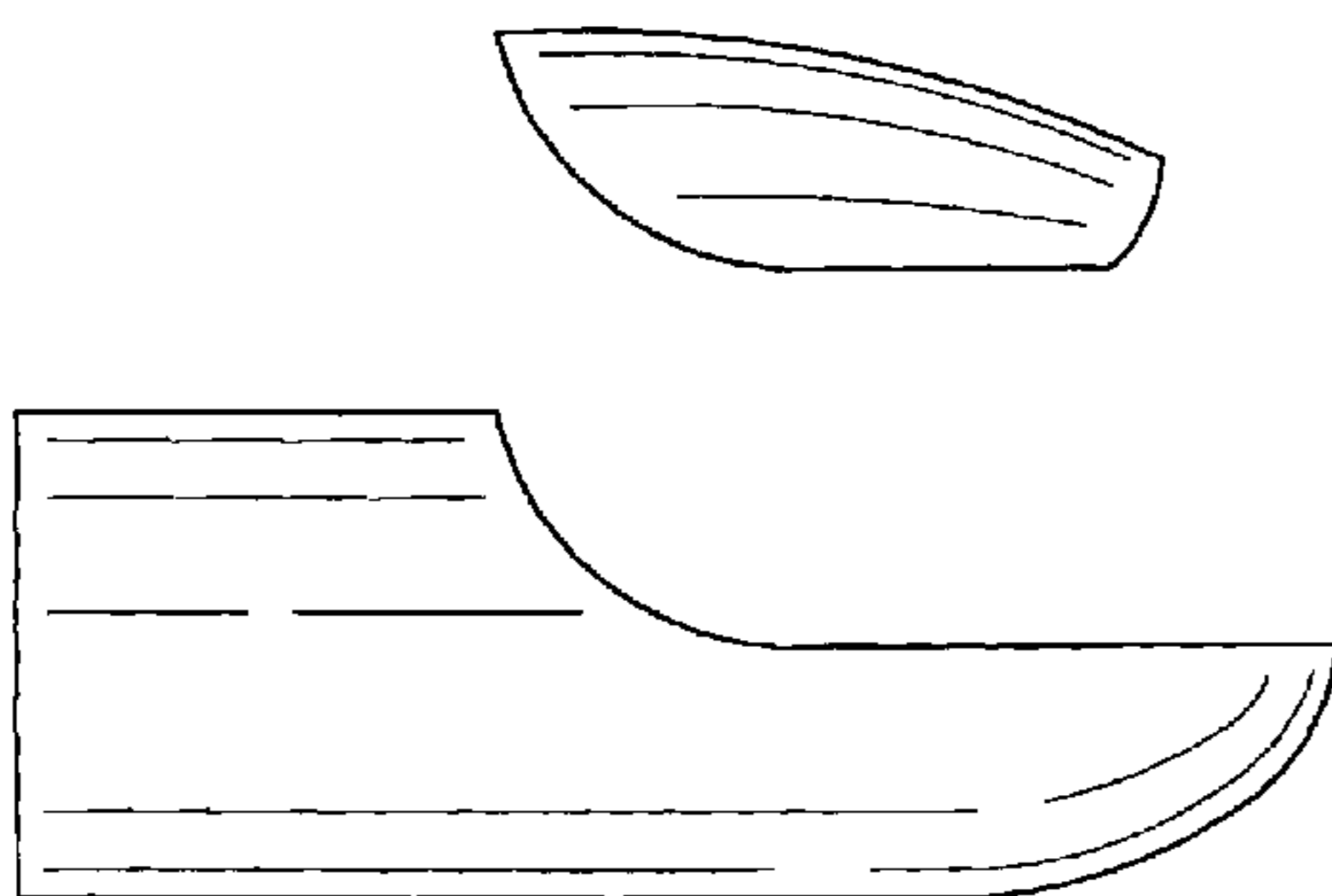
(57) **CLAIM**

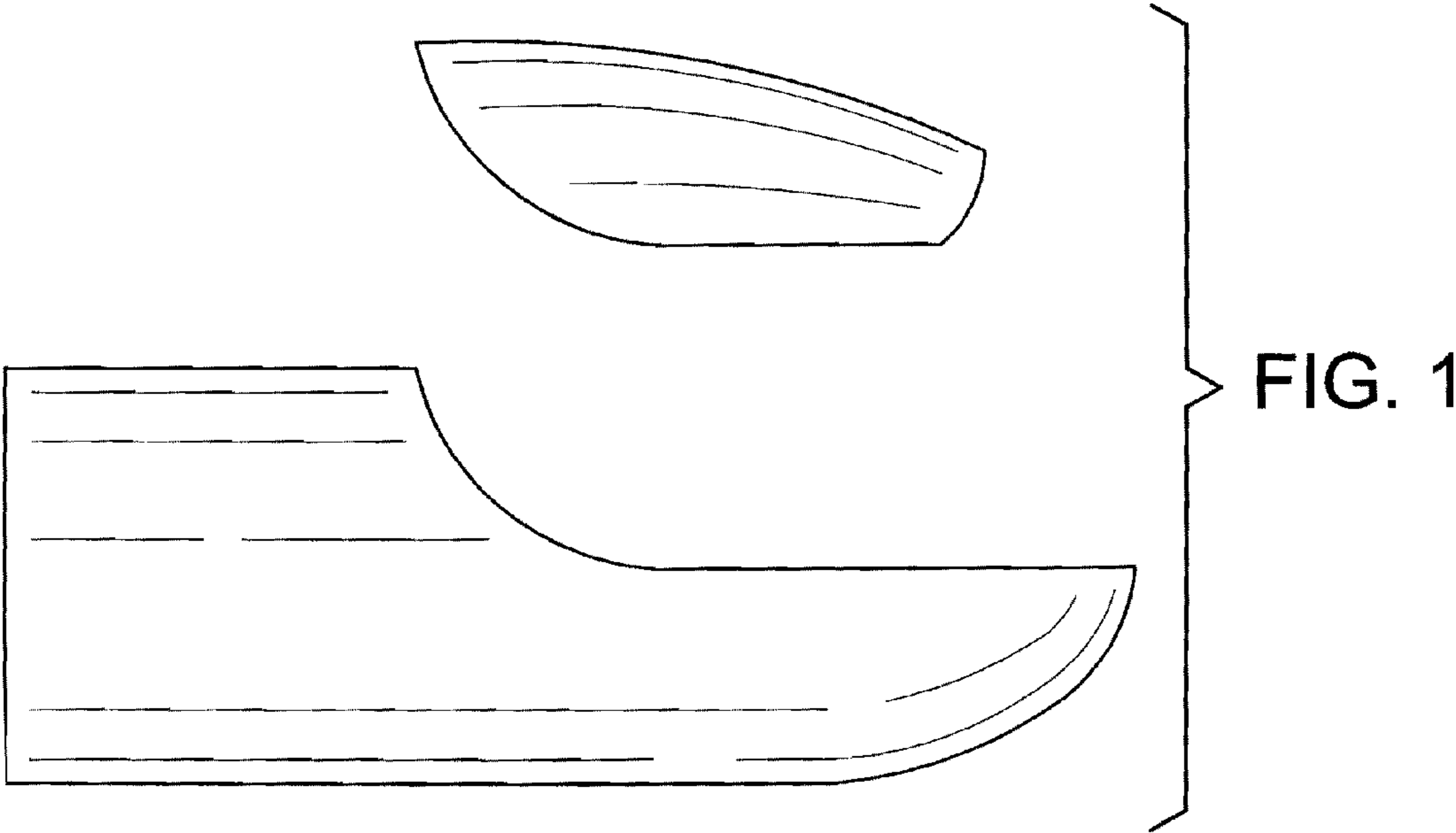
The ornamental design for a finger protector and nail covering kit, as shown and described.

**DESCRIPTION**

FIG. 1 is a side elevation view of a finger protector and nail covering kit showing my new design;  
 FIG. 2 is a rear elevation view of the finger protector and nail covering kit;  
 FIG. 3 is a front elevation view of the finger protector and nail covering kit;  
 FIG. 4 is a top plan view of the finger protector and nail covering kit;  
 FIG. 5 is a bottom plan view of the finger protector and nail covering kit;  
 FIG. 6 is a top perspective view of the finger protector and nail covering kit; and,  
 FIG. 7 is a top perspective view of the finger protector and nail covering kit. The human hand and nail polish applicator shown in phantom lines illustrate how the claimed design is used and form no part thereof.

**1 Claim, 6 Drawing Sheets**





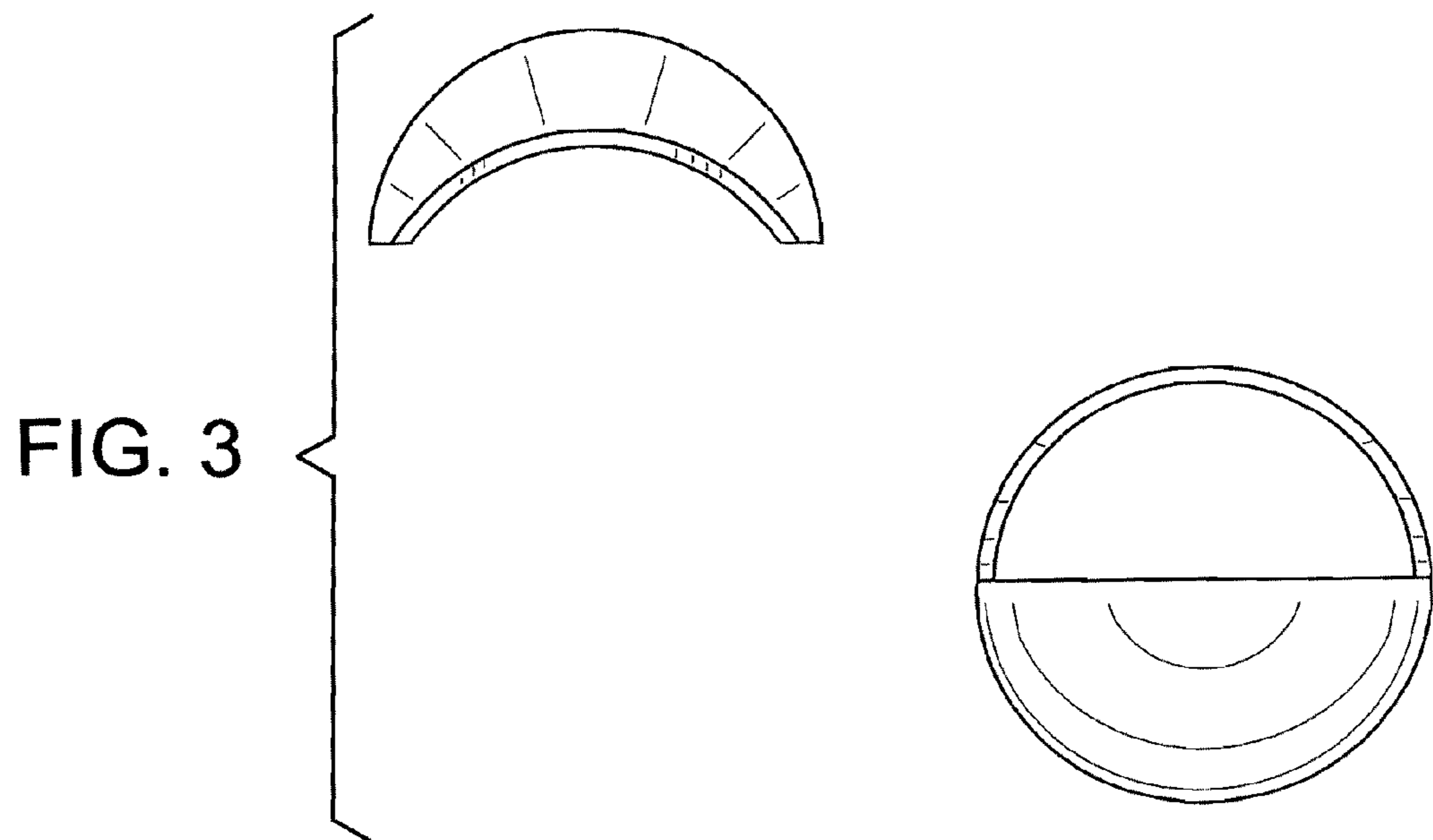
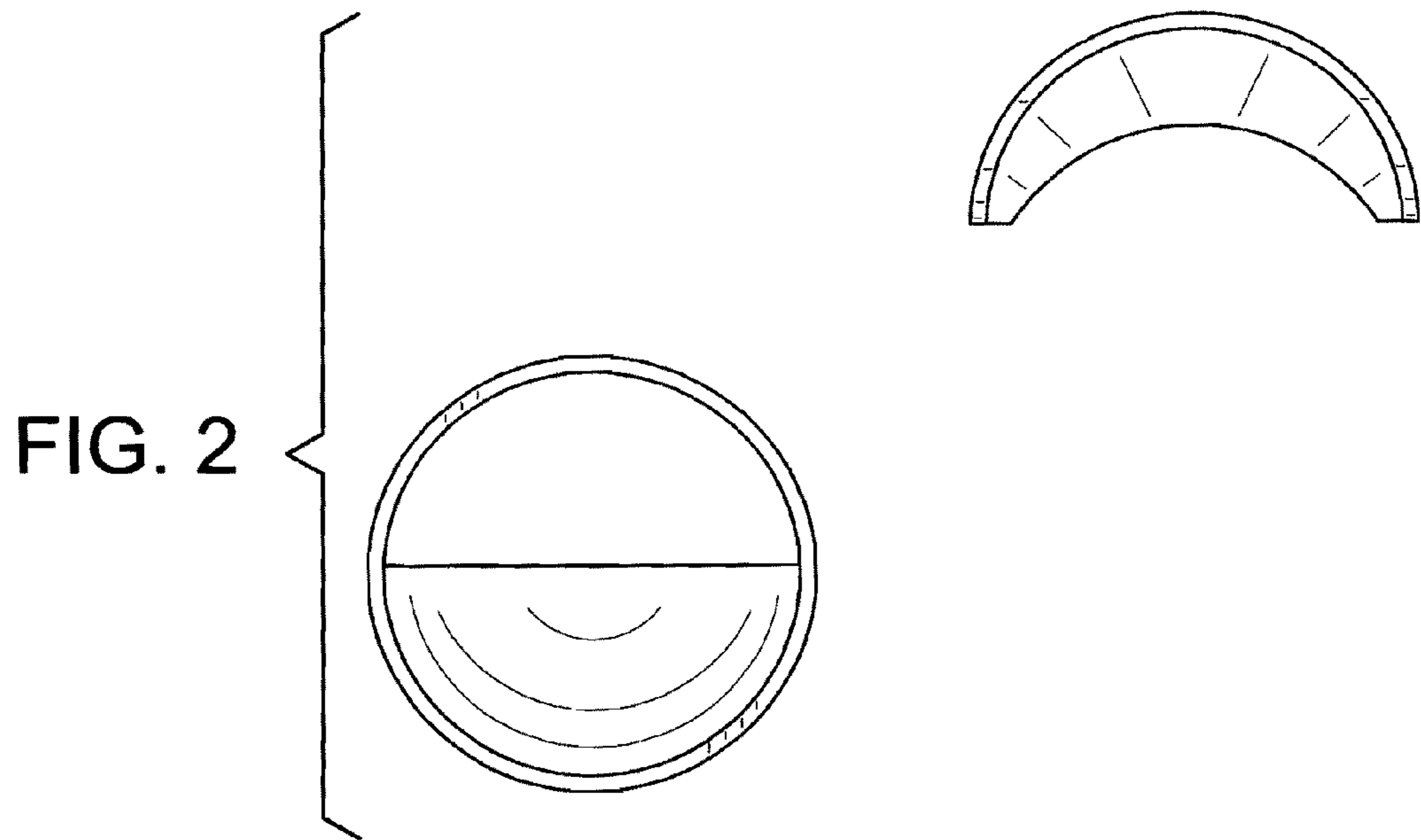
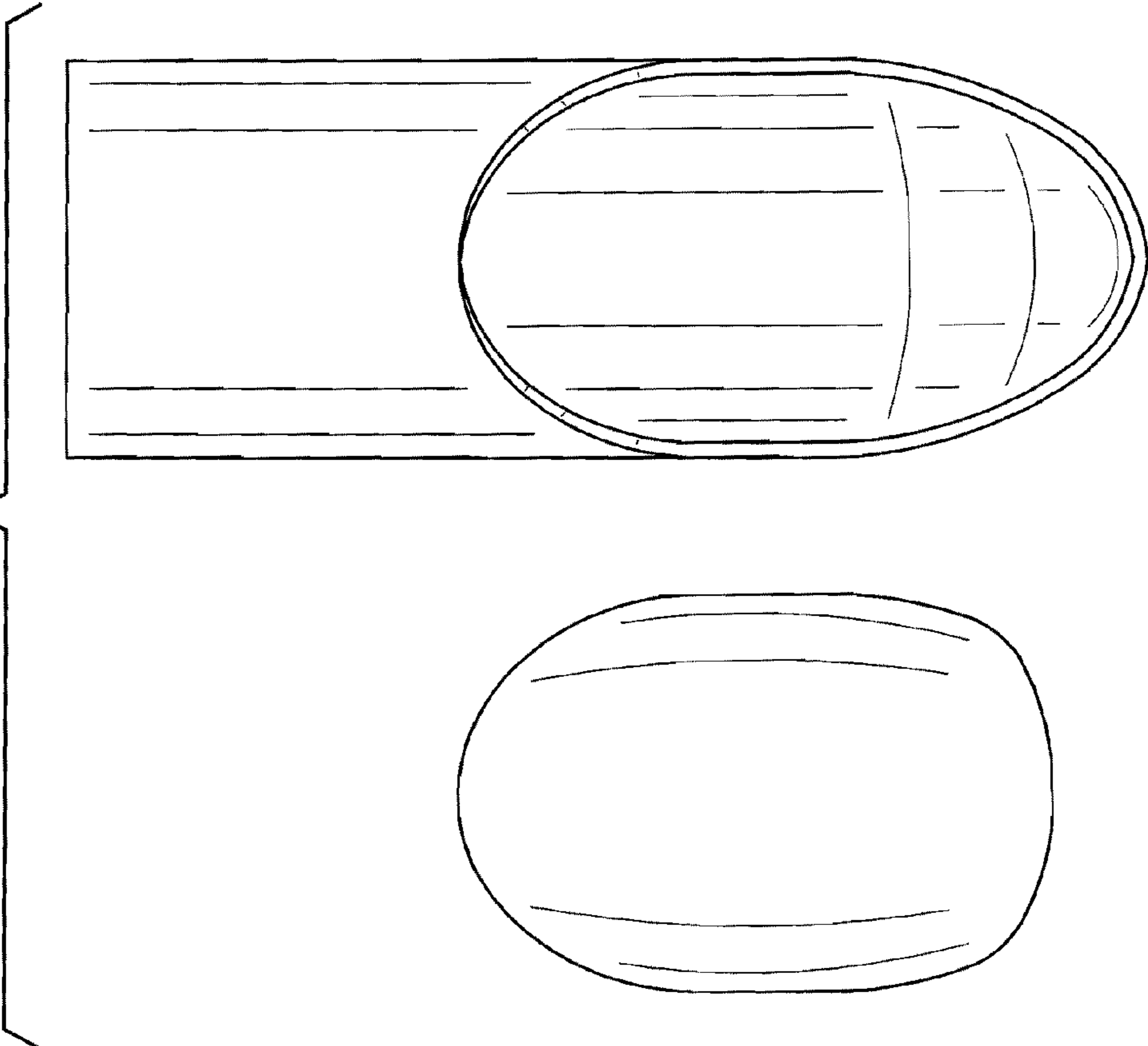
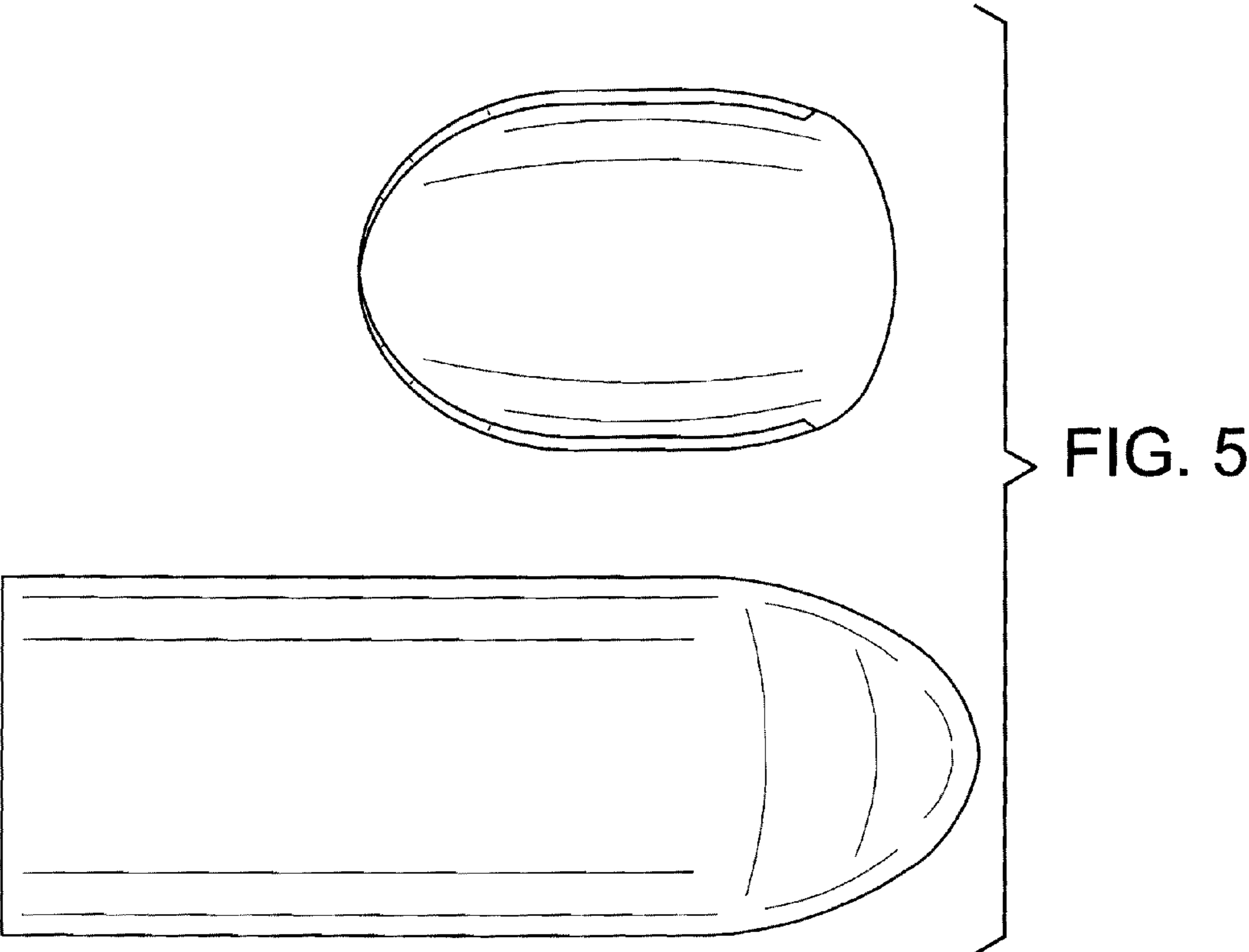
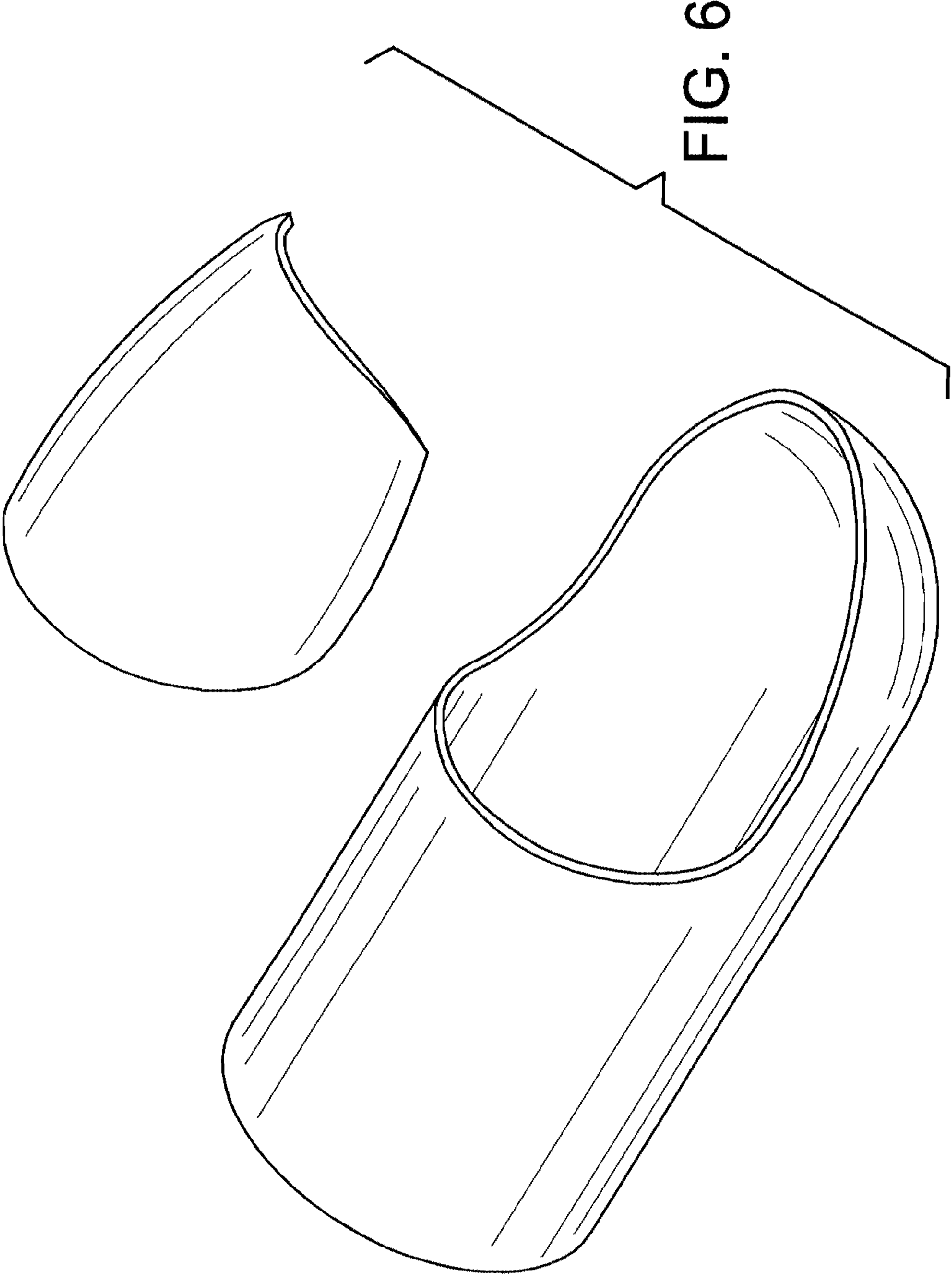


FIG. 4







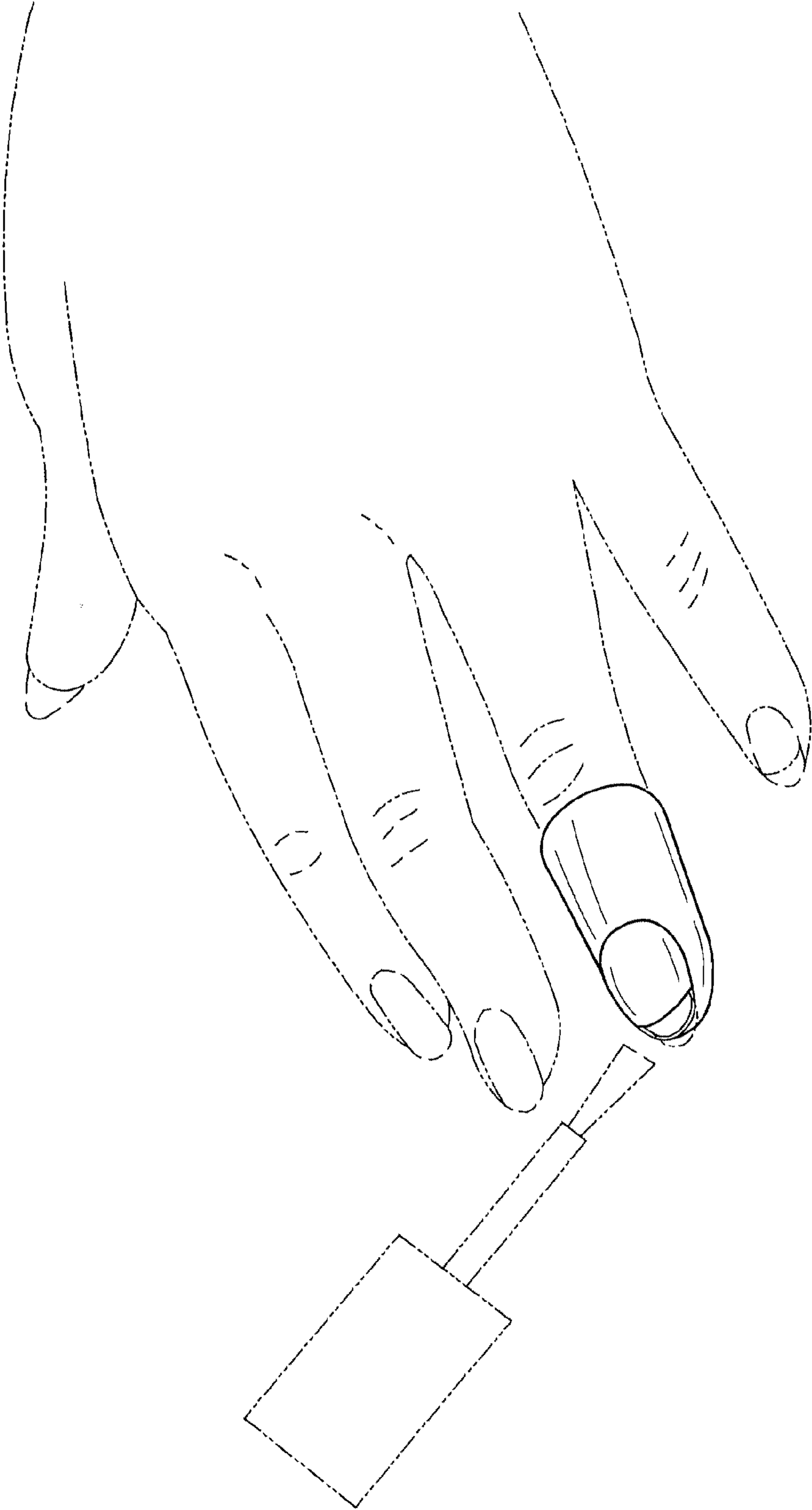


FIG. 7