



US00D648485S

(12) **United States Design Patent**
Kim

(10) **Patent No.:** **US D648,485 S**

(45) **Date of Patent:** **** Nov. 8, 2011**

(54) **ELECTRIC SHAVER**

(75) Inventor: **Chiyong Kim**, Chiba (JP)

(73) Assignee: **Panasonic Electric Works Co., Ltd.**,
Kadoma-shi (JP)

(**) Term: **14 Years**

(21) Appl. No.: **29/381,955**

(22) Filed: **Dec. 27, 2010**

(30) **Foreign Application Priority Data**

Jun. 30, 2010 (JP) 2010-016100

(51) **LOC (9) Cl.** **28-03**

(52) **U.S. Cl.** **D28/54**

(58) **Field of Classification Search** 30/32, 34.05,
30/34.1-34.2, 30-31, 43-43.92, 44-45, 47-51,
30/77-84, 526-541, 346.5-346.61, 194-196,
30/198-205, 208-216, 233-233.5; D28/44-44.1,
D28/45-54

See application file for complete search history.

(56) **References Cited**

U.S. PATENT DOCUMENTS

D513,541 S * 1/2006 Nishizawa D28/49
D522,176 S * 5/2006 Ullmann et al. D28/51

D549,875 S * 8/2007 Akahori et al. D28/51
D590,543 S * 4/2009 Ullmann D28/49
2008/0134514 A1* 6/2008 Iwasaki et al. 30/43.91

* cited by examiner

Primary Examiner — Jennifer Rivard

(74) *Attorney, Agent, or Firm* — Marvin A. Motsenbocker;
Mots Law, PLLC

(57) **CLAIM**

The ornamental design for an electric shaver, as shown and described.

DESCRIPTION

FIG. 1 is a front perspective view of an electric shaver;
FIG. 2 is a rear perspective view thereof;
FIG. 3 is a front view thereof;
FIG. 4 is a right side view thereof;
FIG. 5 is a top plan view thereof;
FIG. 6 is a rear view thereof;
FIG. 7 is a left side view thereof;
FIG. 8 is a bottom plan view thereof; and,
FIG. 9 is a sectional view thereof taken along line 9-9 of FIG. 3, in which the internal components are omitted.
The portions of the article in broken lines are shown for illustrative purposes only and form no part of the claimed design.

1 Claim, 9 Drawing Sheets

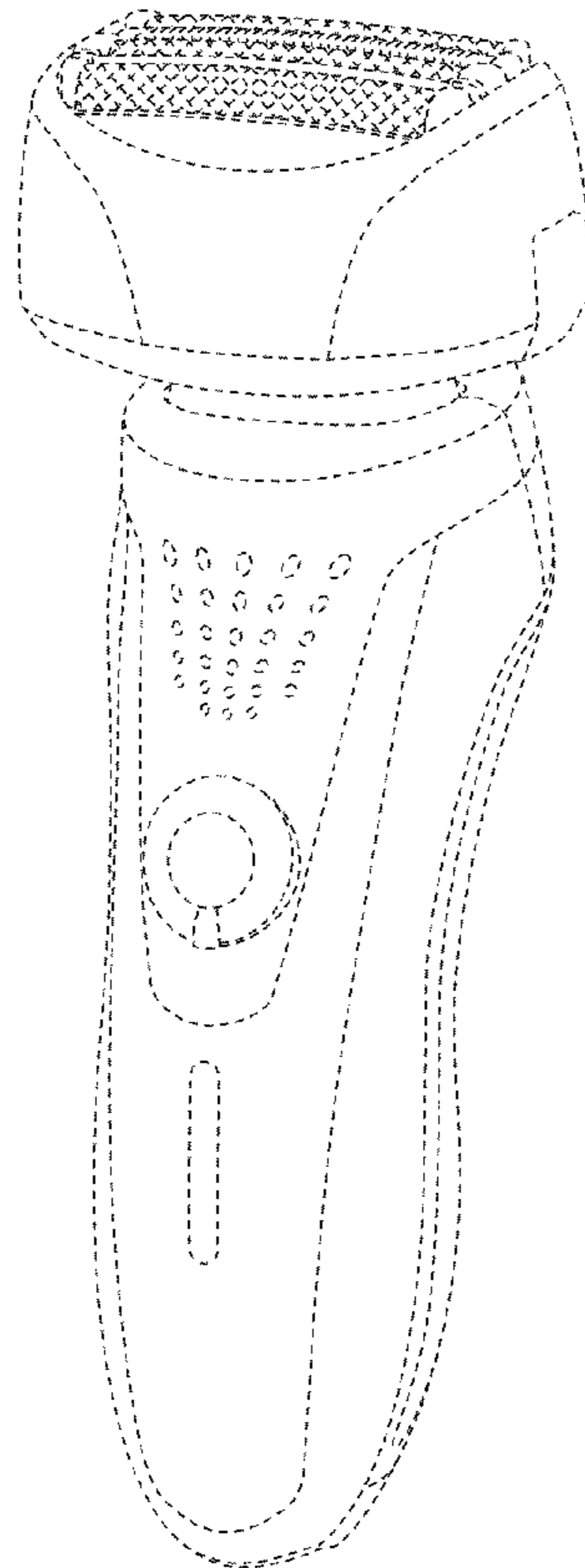


Fig. 1

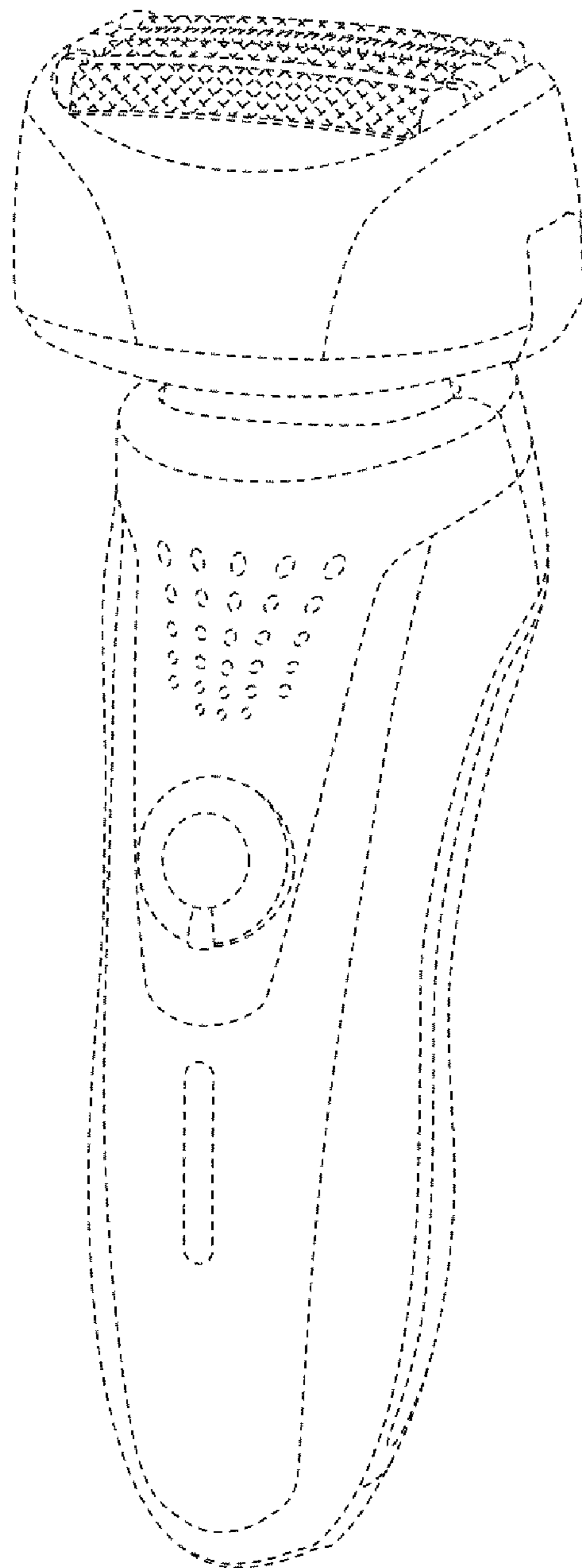


Fig.2

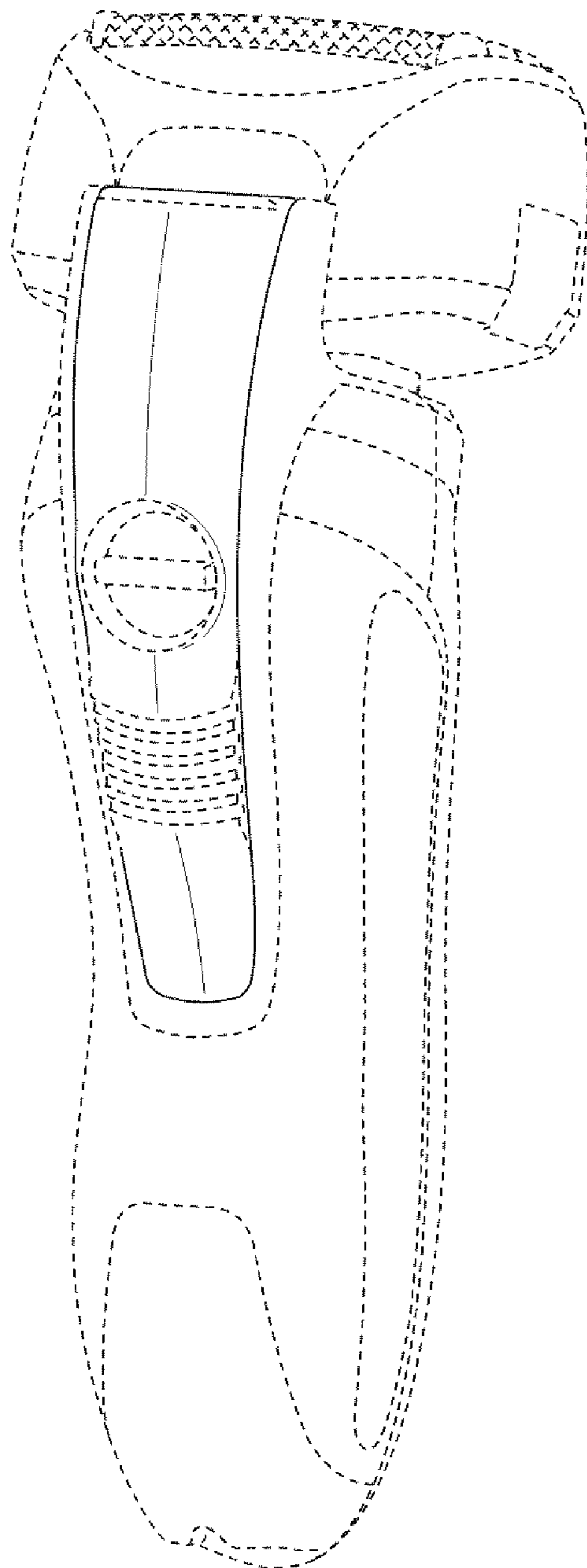


Fig.3

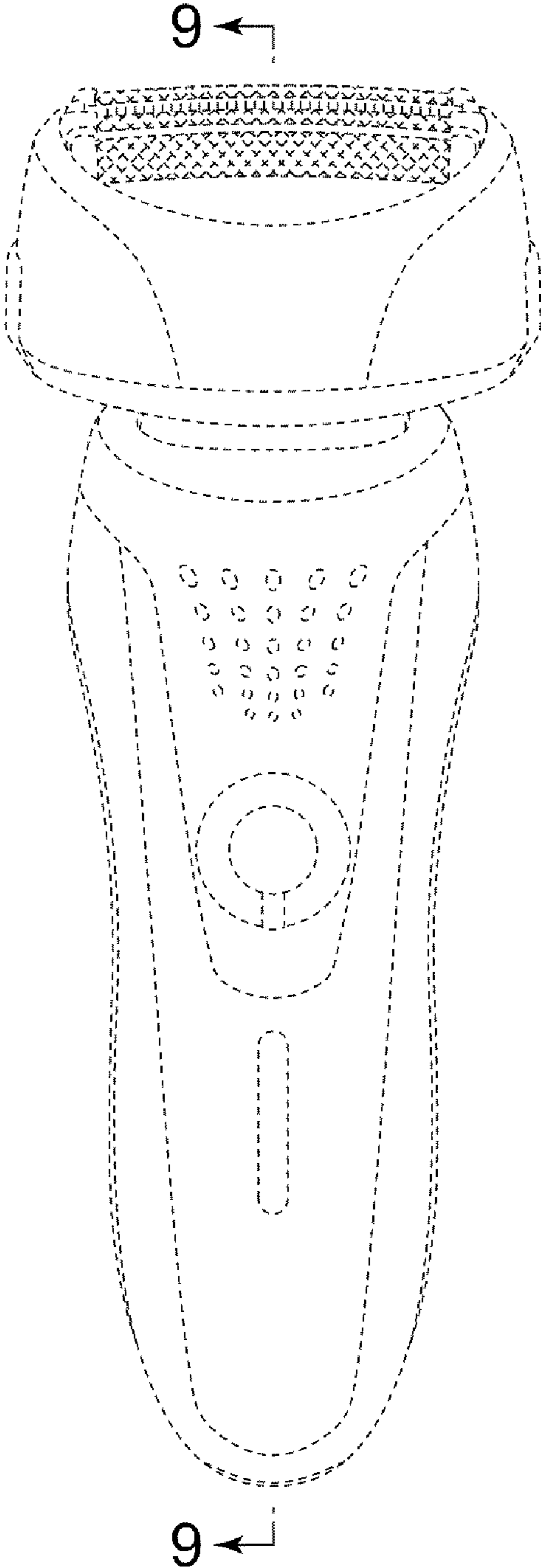


Fig.4

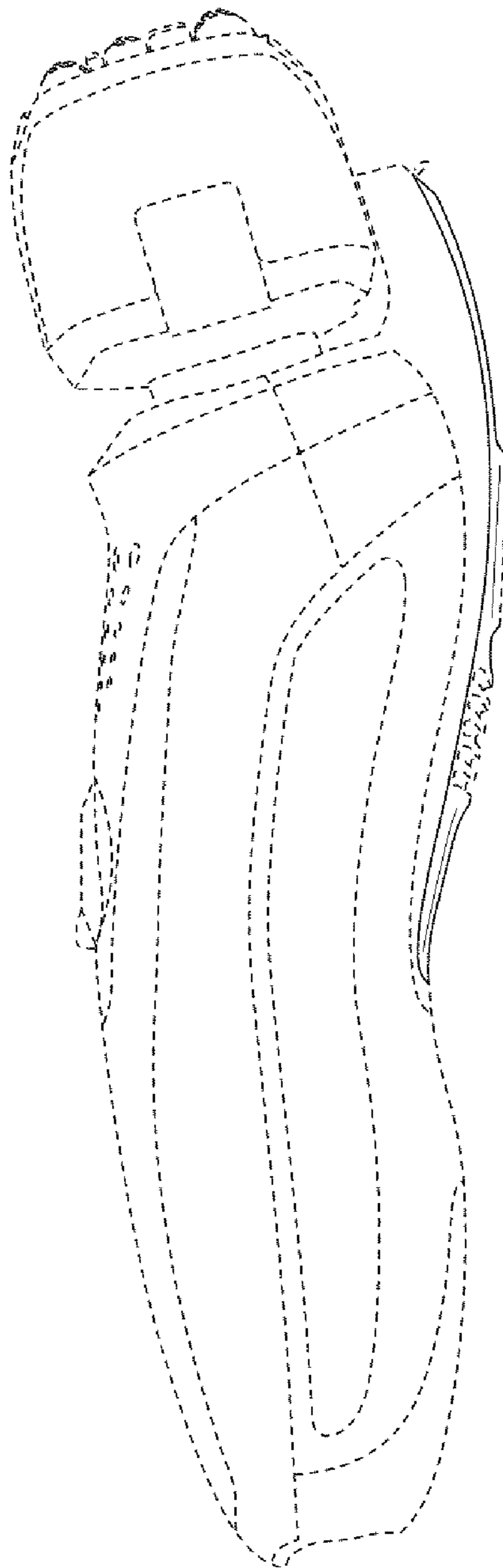


Fig. 5

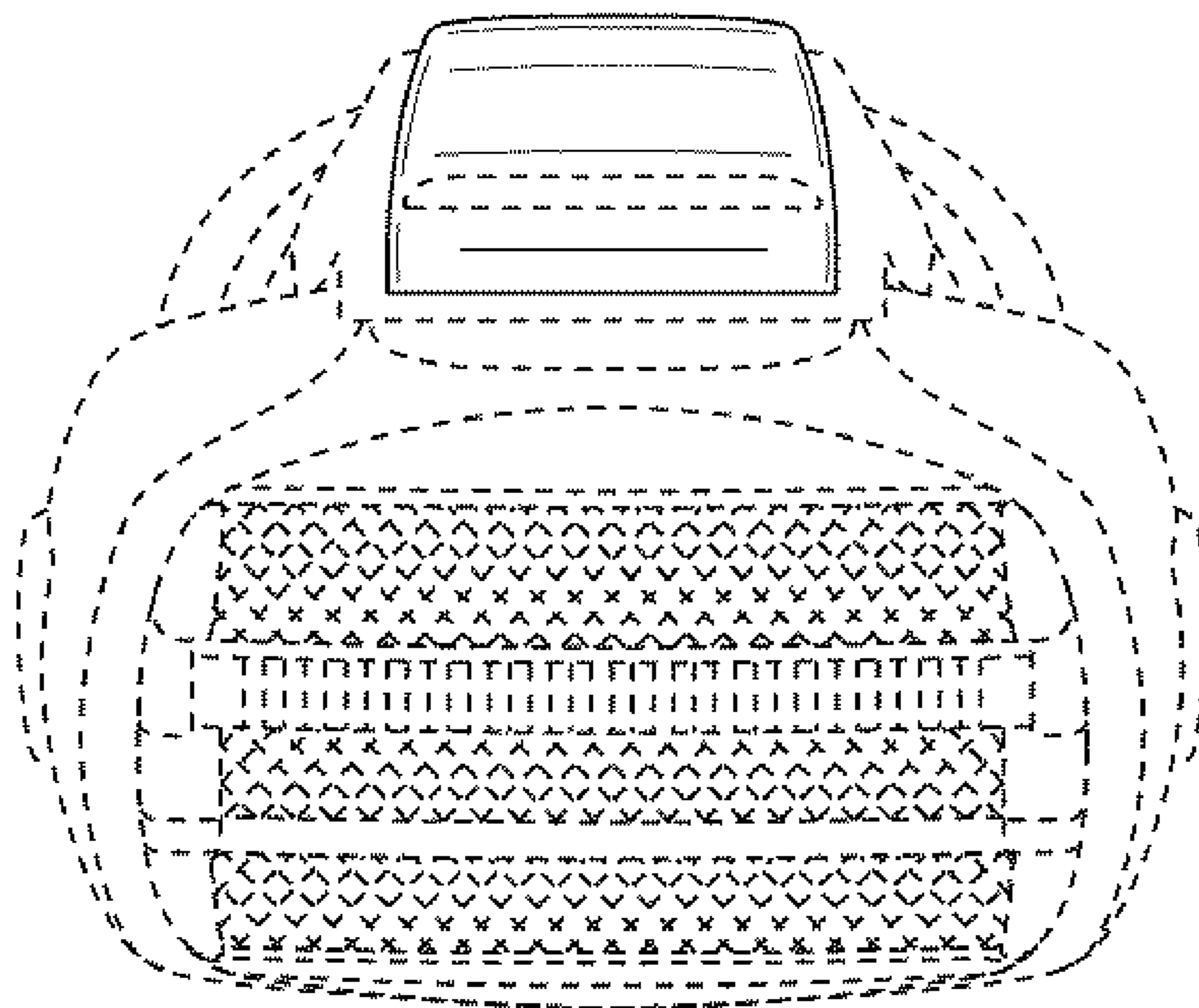


Fig.6

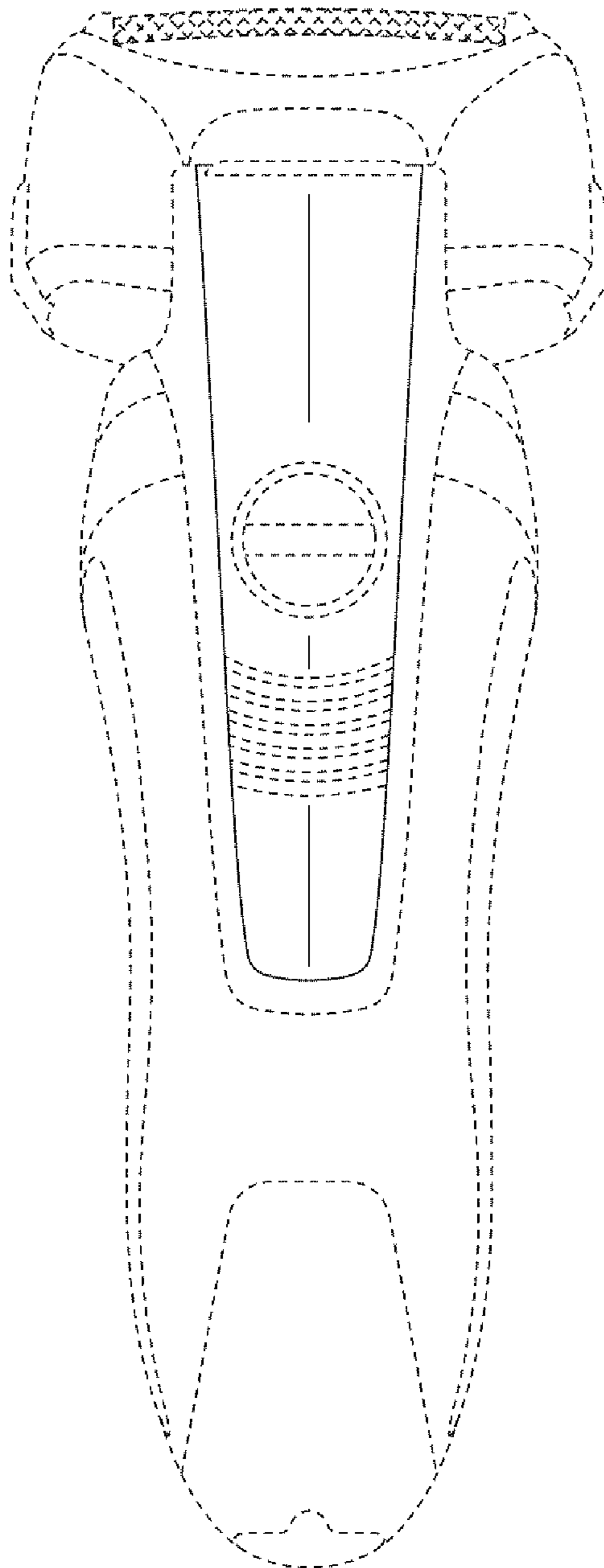


Fig. 7

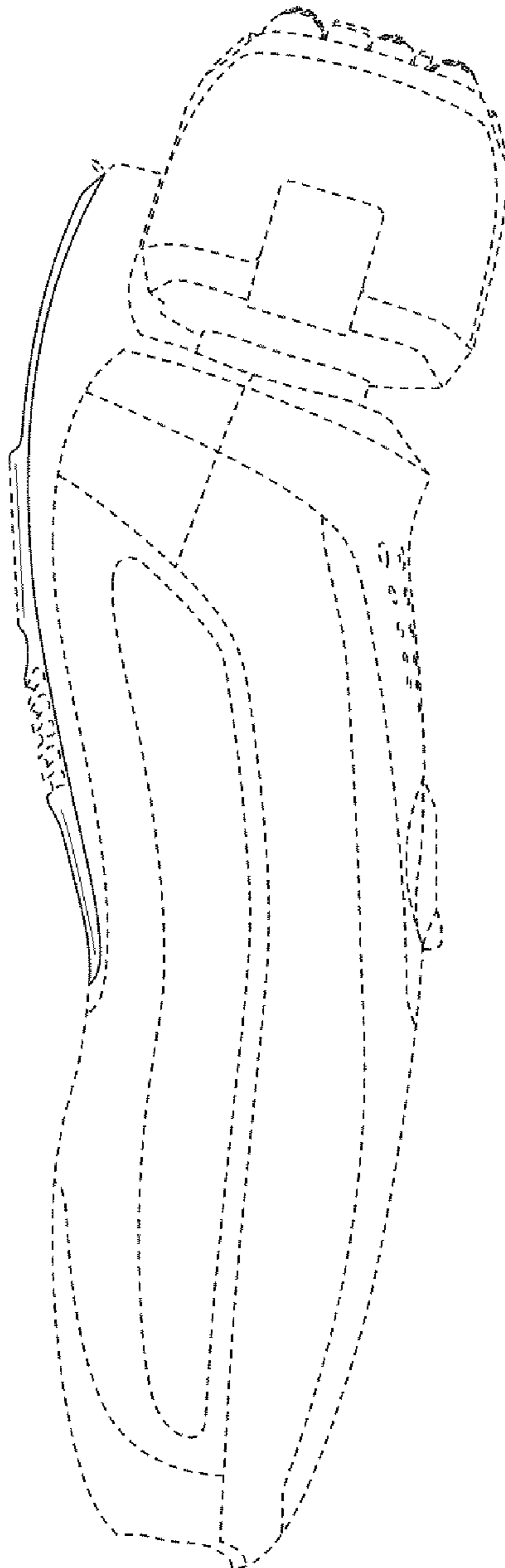


Fig. 8

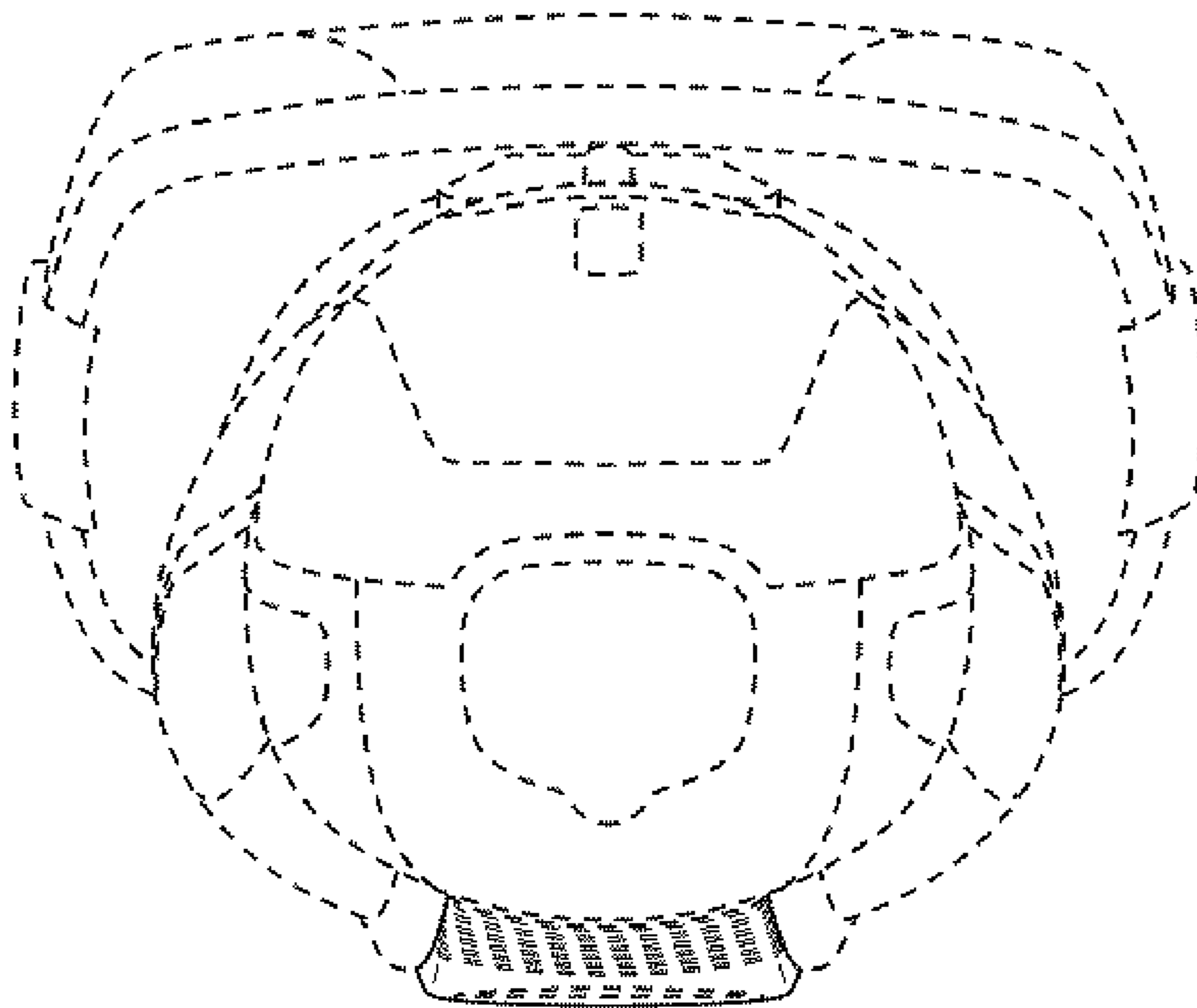


Fig.9

