



US00D648479S

(12) **United States Design Patent**
Herman

(10) **Patent No.:** **US D648,479 S**

(45) **Date of Patent:** **** Nov. 8, 2011**

(54) **LUMINAIRE**

(75) **Inventor:** **Silvia Herman**, Peachtree City, GA (US)

(73) **Assignee:** **Cooper Technologies Company**,
Houston, TX (US)

(**) **Term:** **14 Years**

(21) **Appl. No.:** **29/389,910**

(22) **Filed:** **Apr. 18, 2011**

(51) **LOC (9) Cl.** **26-99**

(52) **U.S. Cl.** **D26/118**

(58) **Field of Classification Search** D26/81,
D26/85, 86, 68, 76, 72, 118, 120, 138, 155,
D26/113, 121, 122, 124, 128, 130, 142, 84,
D26/3, 24, 2, 65, 63, 60, 62, 70, 71, 87, 74,
D26/137, 61, 152, 153, 154, 141, 145, 82,
D26/83, 80, 93, 134; 362/407, 368, 92, 555,
362/545, 413, 367, 102, 147, 365, 366, 364,
362/371, 327, 405; 165/80.3, 104.33, 104.21;
D13/178, 180, 133, 146, 136, 134; 248/303;
D8/370, 367, 354; D25/126, 38; D6/549,
D6/524; 439/232, 241, 236, 242

See application file for complete search history.

(56) **References Cited**

U.S. PATENT DOCUMENTS

| | | | | |
|----------------|---------|-------------------|-------|---------|
| D186,718 S * | 11/1959 | Summers | | D26/104 |
| D190,922 S * | 7/1961 | Anthony | | D26/24 |
| D200,118 S * | 1/1965 | Van Steenhoven | | D26/71 |
| D321,764 S * | 11/1991 | Von Klier | | D26/63 |
| D322,135 S * | 12/1991 | Wierzbicki et al. | | D26/24 |
| D355,502 S * | 2/1995 | Liao | | D26/67 |
| D391,382 S * | 2/1998 | Rahn | | D26/63 |
| 6,123,441 A * | 9/2000 | Kasboske | | 362/543 |
| D434,515 S * | 11/2000 | McNamara | | D26/63 |
| 6,146,392 A * | 11/2000 | Smith | | 606/147 |
| D439,695 S * | 3/2001 | Compton et al. | | D26/87 |
| 6,343,014 B1 * | 1/2002 | Lin | | 361/697 |

| | | | | |
|-------------------|---------|-------------------|-------|------------|
| 6,435,704 B1 * | 8/2002 | Montet et al. | | 362/539 |
| 6,832,410 B2 * | 12/2004 | Hegde | | 165/80.3 |
| D529,450 S * | 10/2006 | Miyazawa et al. | | D13/179 |
| D550,392 S * | 9/2007 | Guercio | | D26/92 |
| D552,284 S * | 10/2007 | Kosche et al. | | D26/63 |
| D560,301 S * | 1/2008 | Compton | | D26/85 |
| D567,772 S * | 4/2008 | Lin et al. | | D13/179 |
| D574,102 S * | 7/2008 | Quiogue et al. | | D26/63 |
| D578,693 S * | 10/2008 | Liu et al. | | D26/67 |
| D584,846 S * | 1/2009 | Maxik et al. | | D26/85 |
| D591,883 S * | 5/2009 | Gill | | D26/63 |
| D610,734 S * | 2/2010 | Ward et al. | | D26/74 |
| D611,635 S * | 3/2010 | Gordin | | D26/63 |
| D615,228 S * | 5/2010 | Gilmore et al. | | D26/47 |
| D630,790 S * | 1/2011 | Josefowicz et al. | | D26/71 |
| D633,230 S * | 2/2011 | Chen | | D26/24 |
| 2005/0247437 A1 * | 11/2005 | Ying et al. | | 165/104.33 |
| 2009/0213588 A1 * | 8/2009 | Manes | | 362/235 |
| 2009/0262533 A1 * | 10/2009 | Liu et al. | | 362/249.02 |

* cited by examiner

Primary Examiner — Cathron Brooks

Assistant Examiner — Kevin Rudzinski

(74) *Attorney, Agent, or Firm* — King & Spalding LLP

(57) **CLAIM**

The ornamental design for a luminaire, as shown and described.

DESCRIPTION

FIG. 1 is a perspective view of a luminaire, showing my new design;

FIG. 2 is a front elevation view thereof;

FIG. 3 is a rear elevation view thereof;

FIG. 4 is a right-side elevation view thereof;

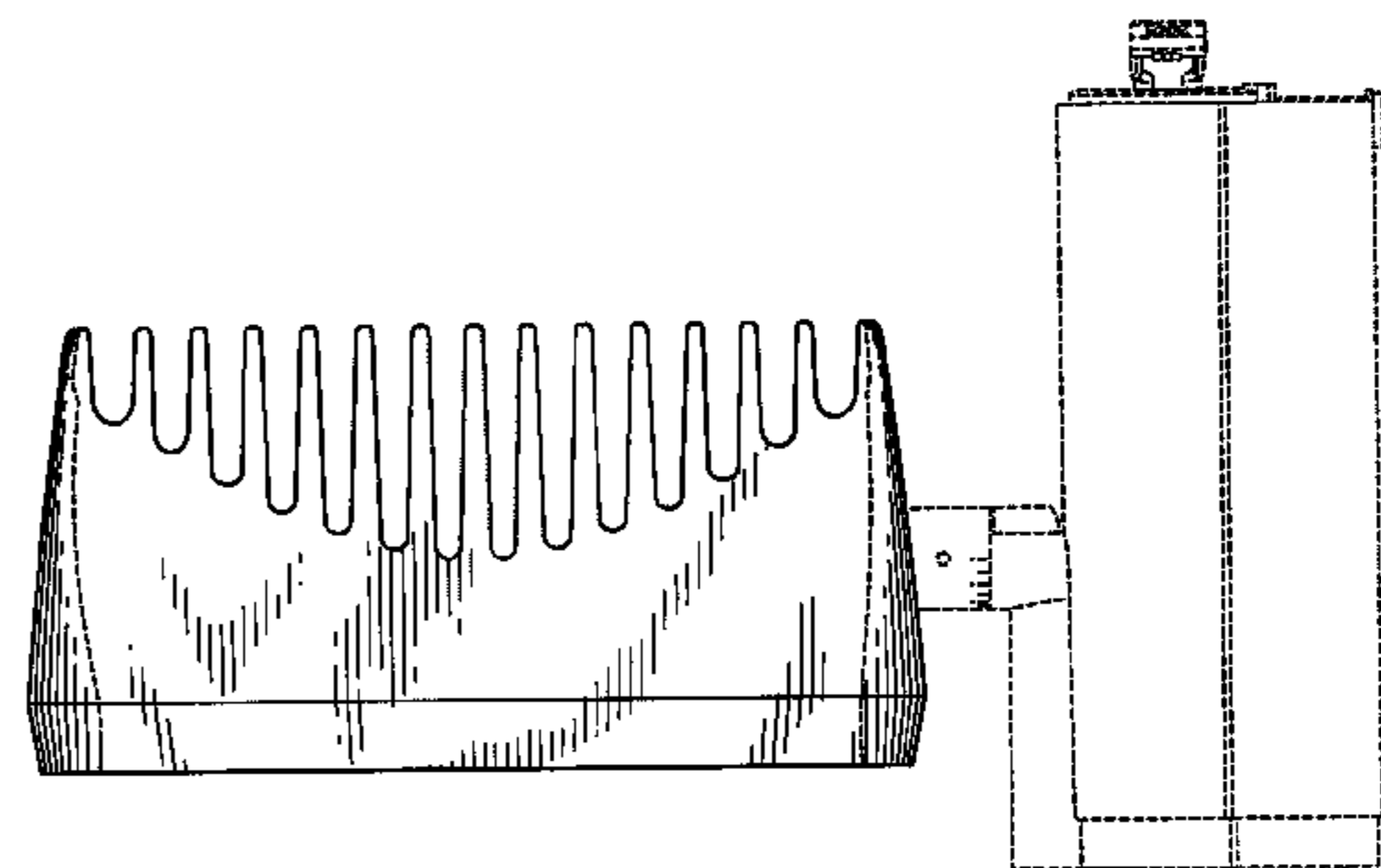
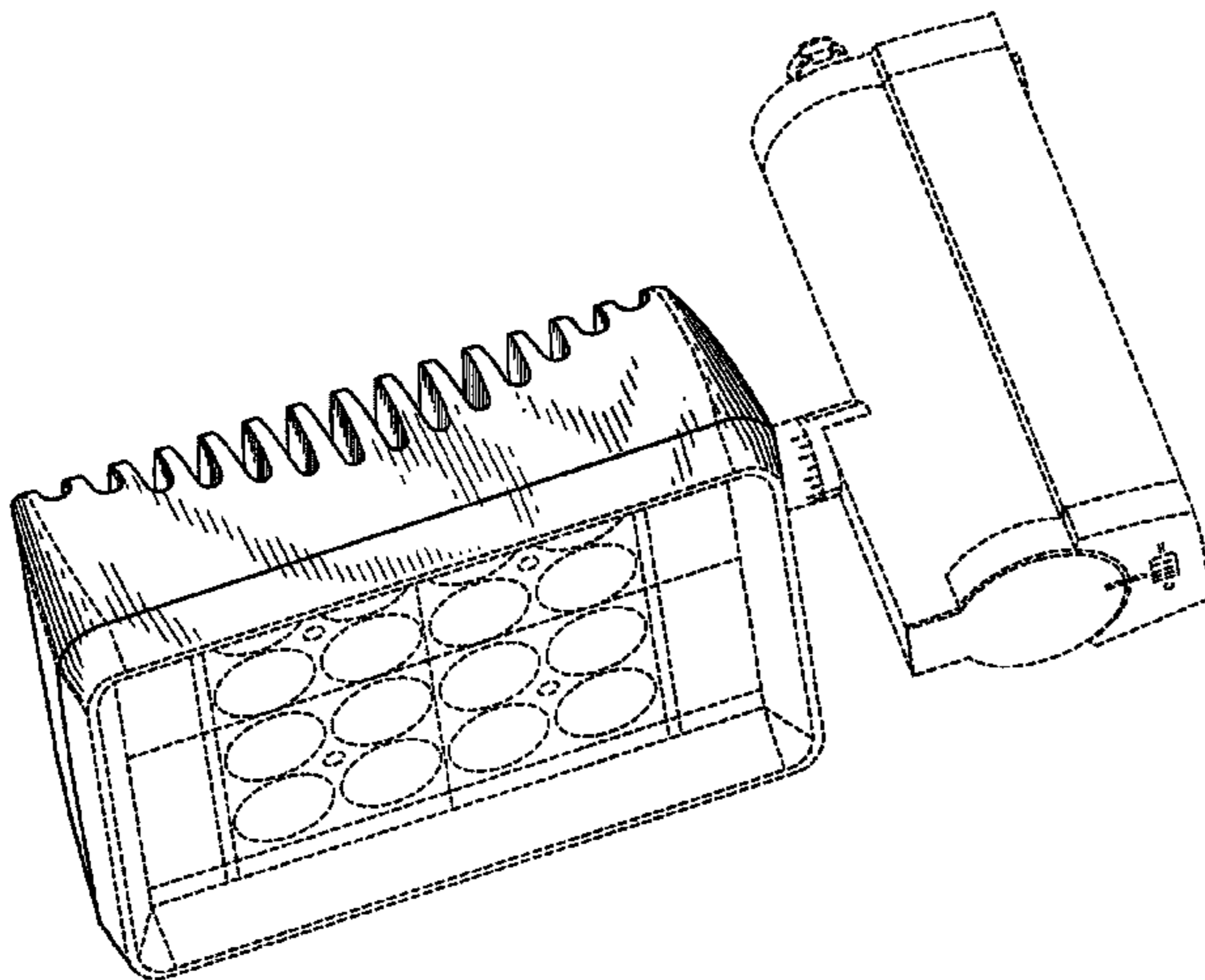
FIG. 5 is a left-side elevation view thereof;

FIG. 6 is a top plan view thereof; and,

FIG. 7 is a bottom plan view thereof.

The broken lines shown represent unclaimed subject matter and form no part of the claimed design.

1 Claim, 3 Drawing Sheets



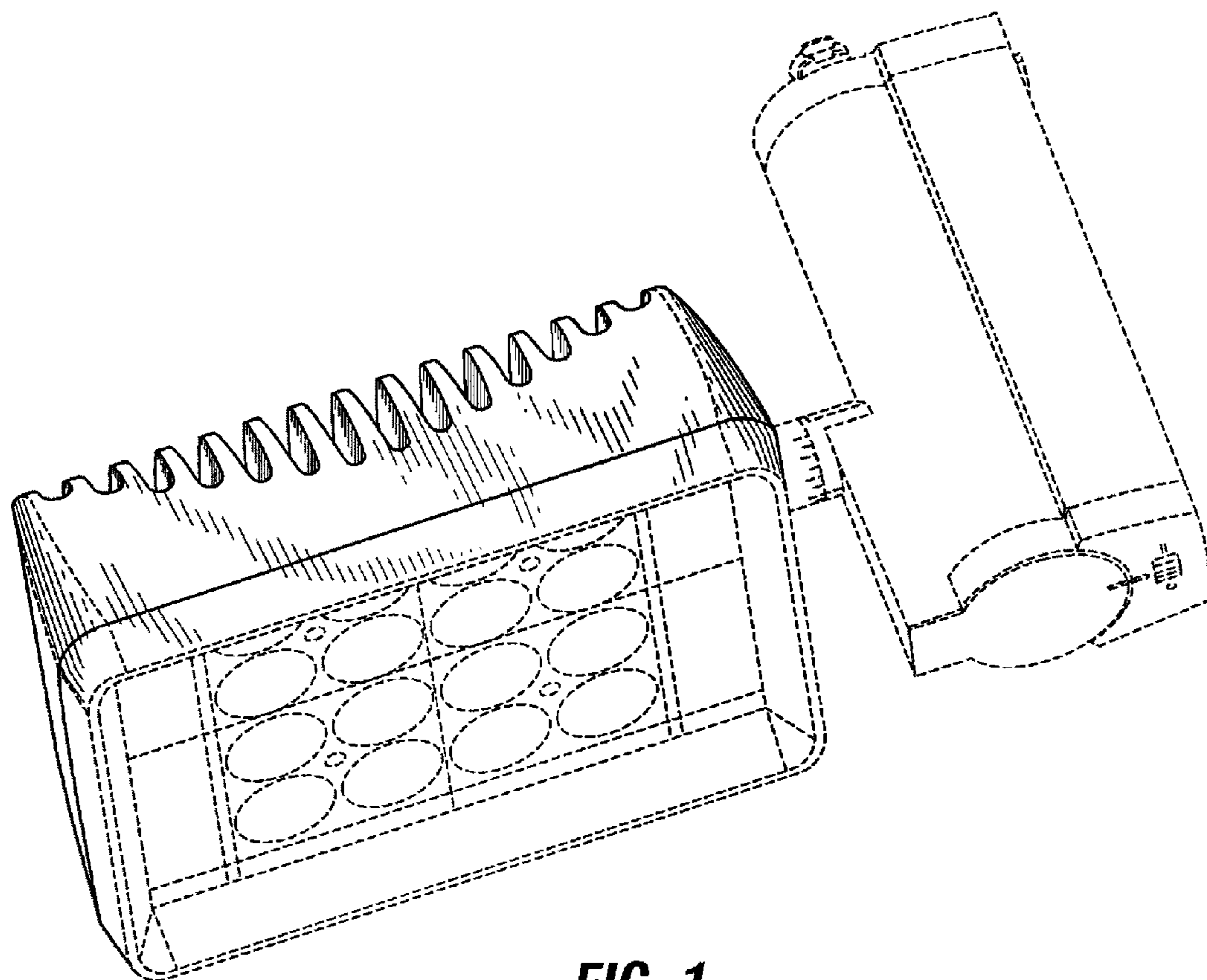


FIG. 1

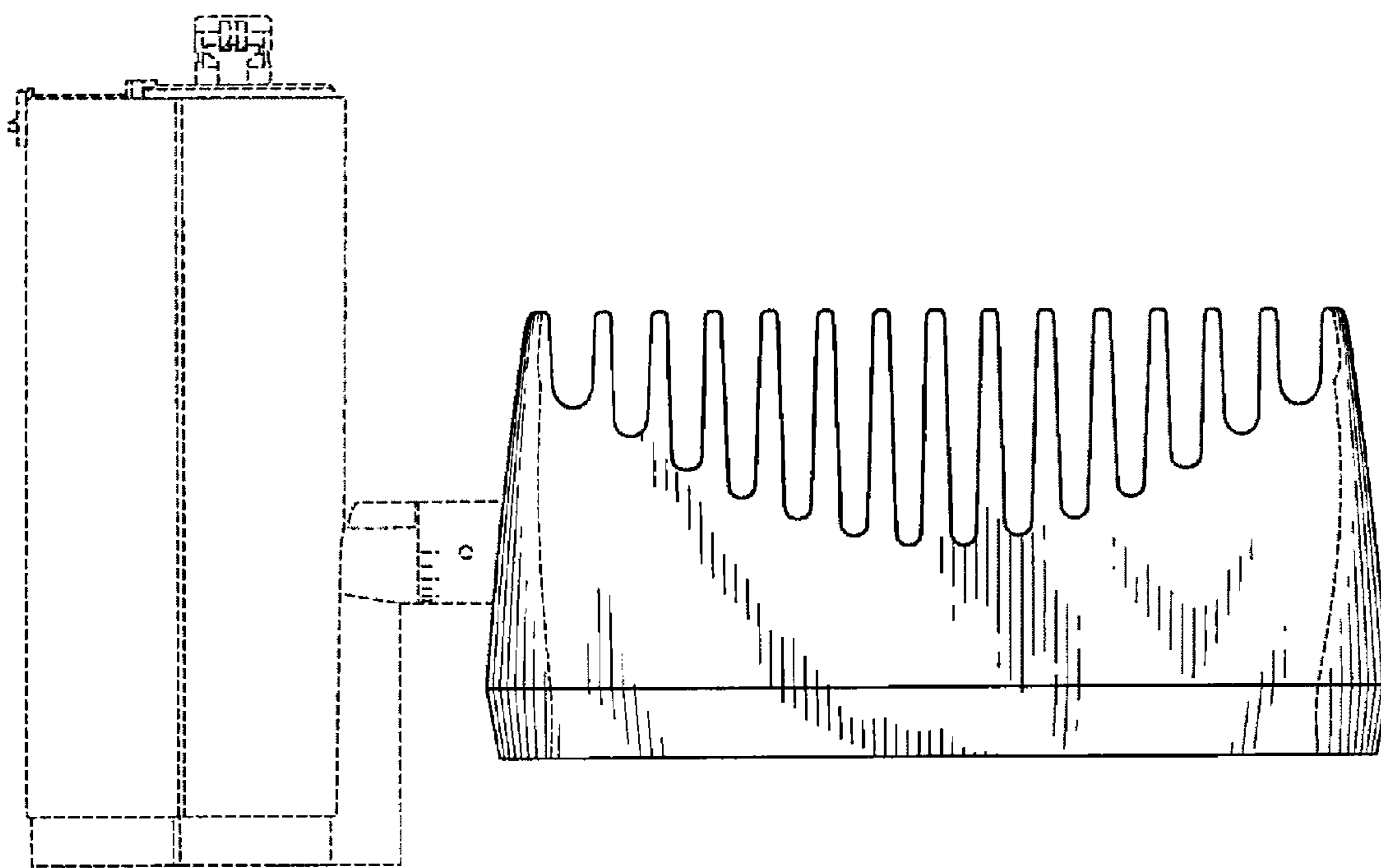


FIG. 2

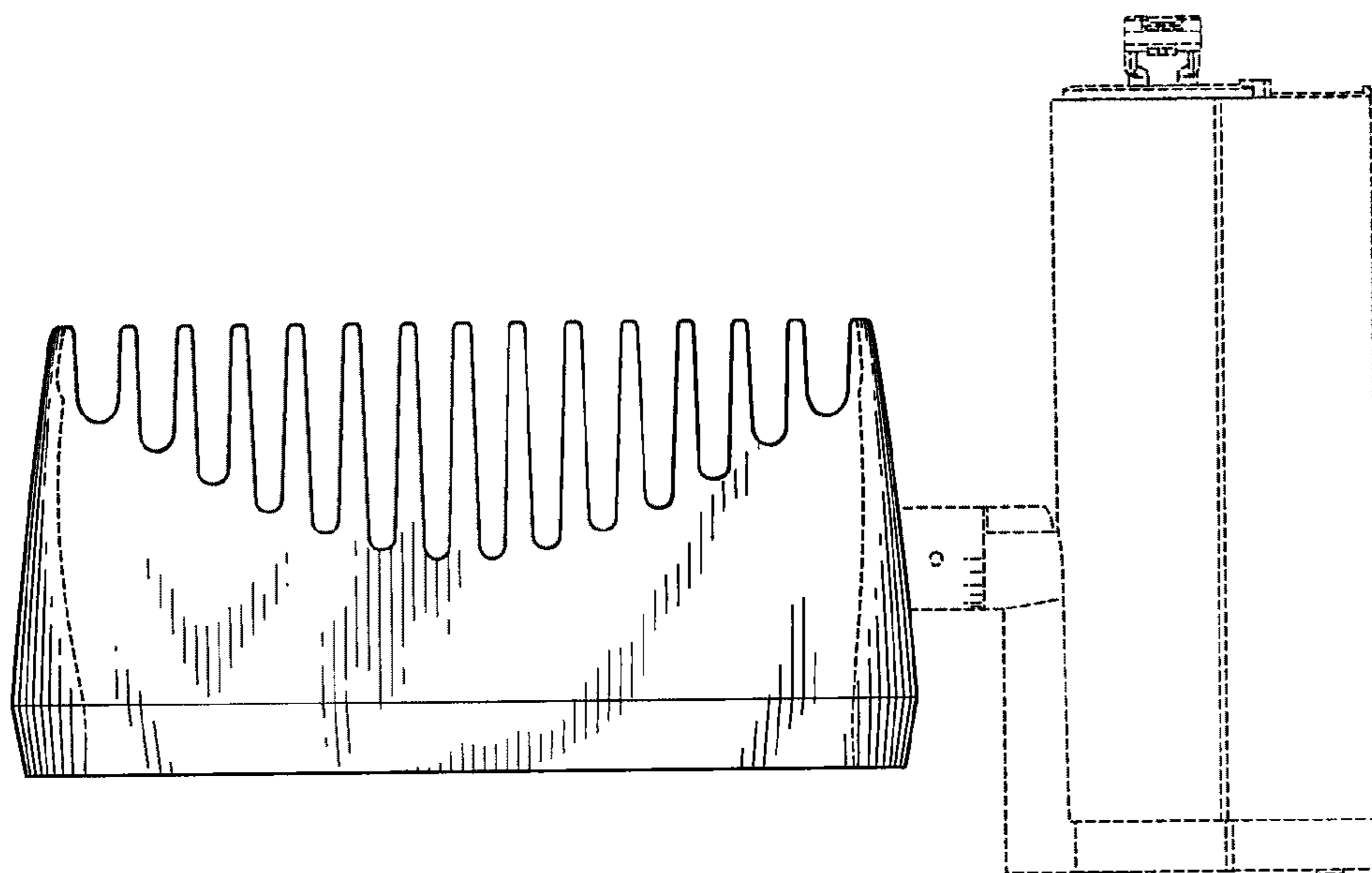


FIG. 3

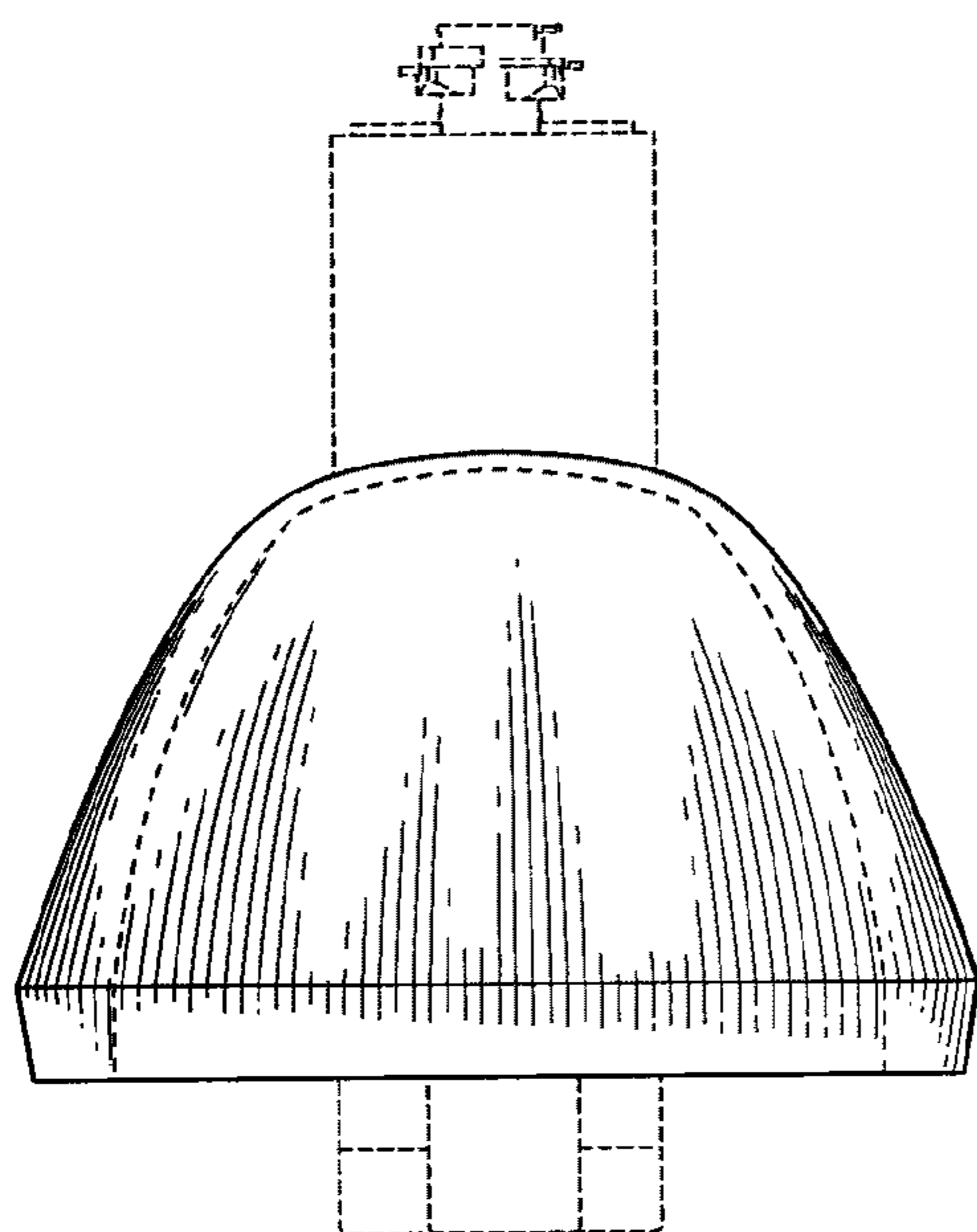


FIG. 4

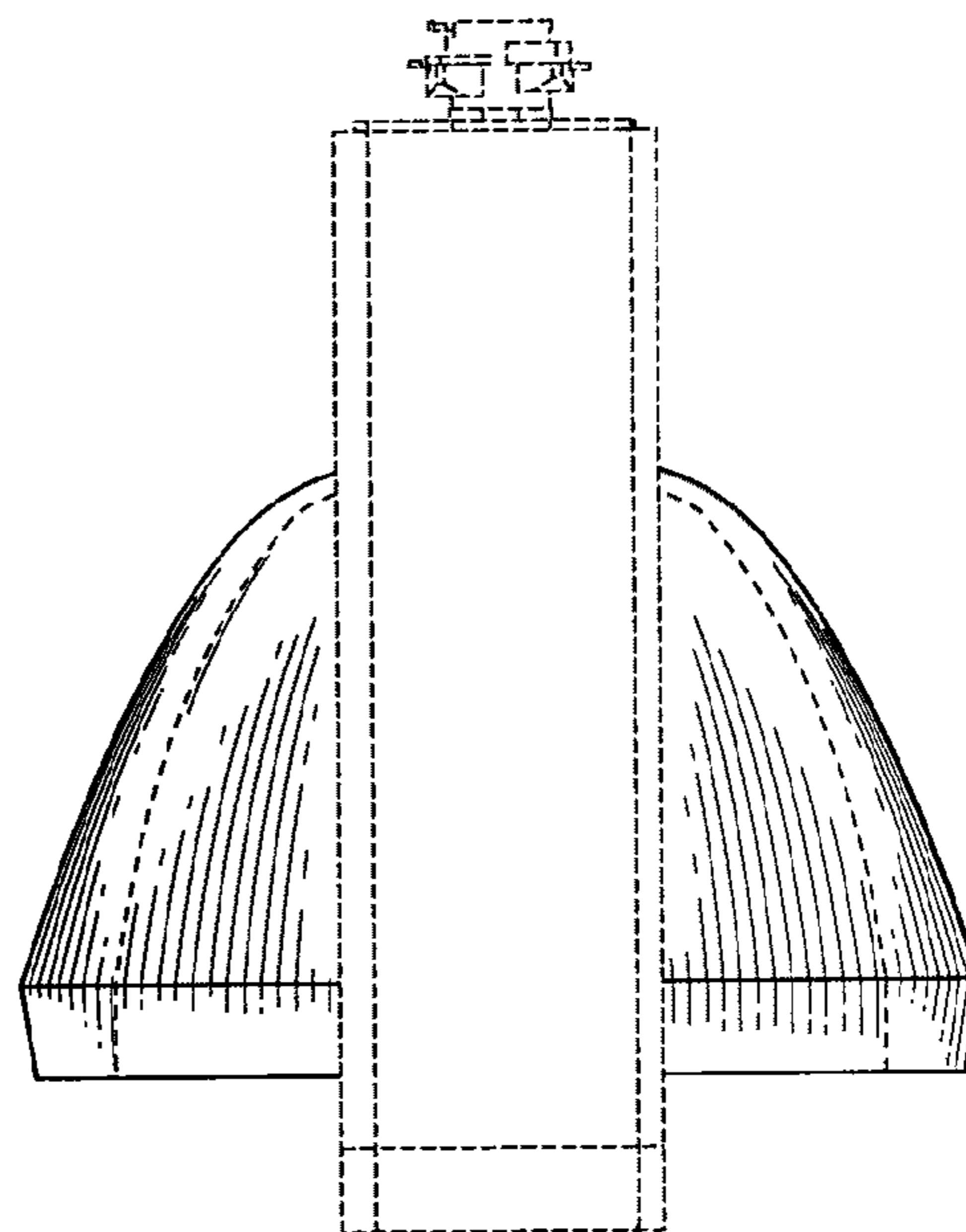


FIG. 5

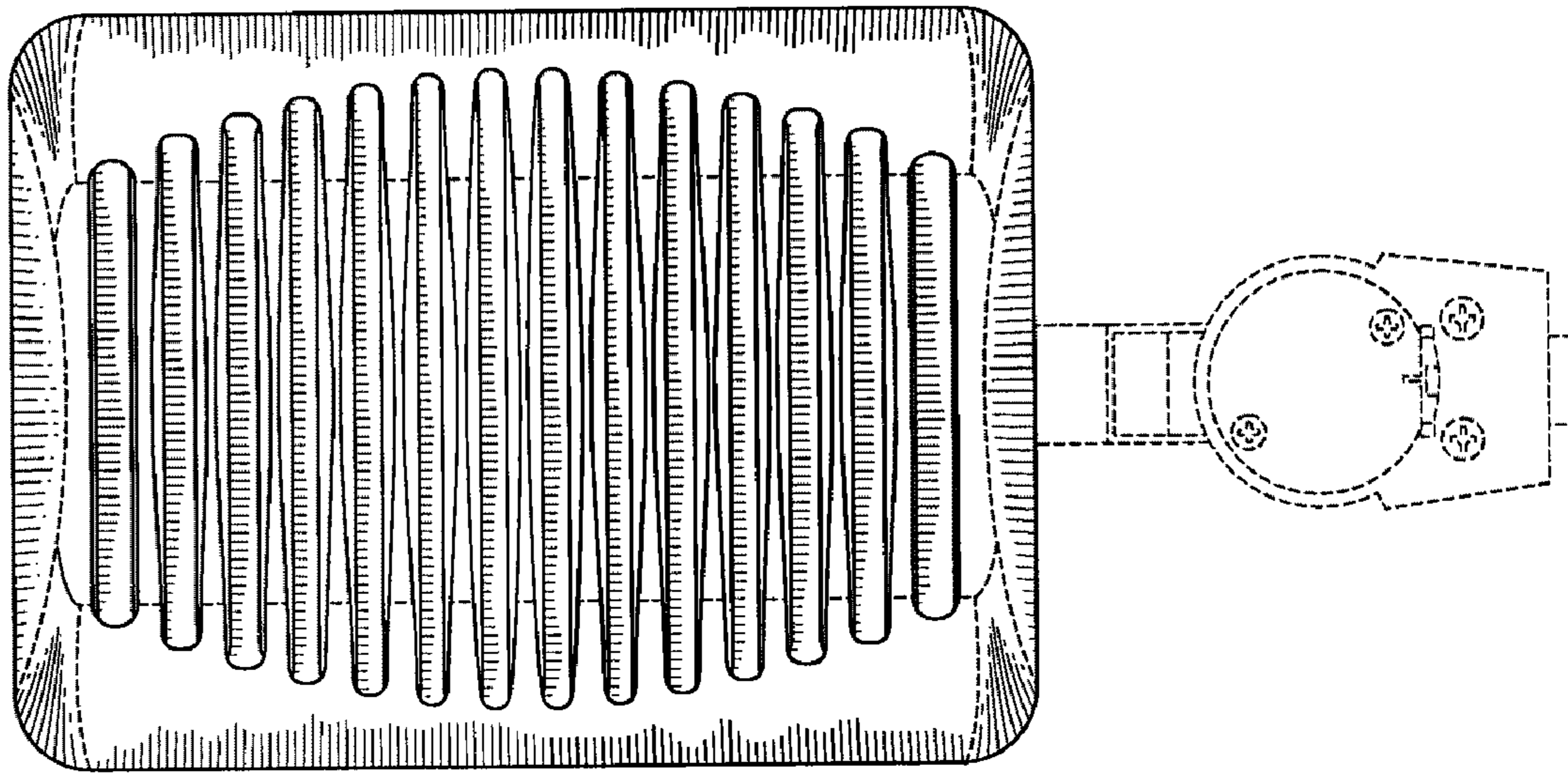


FIG. 6

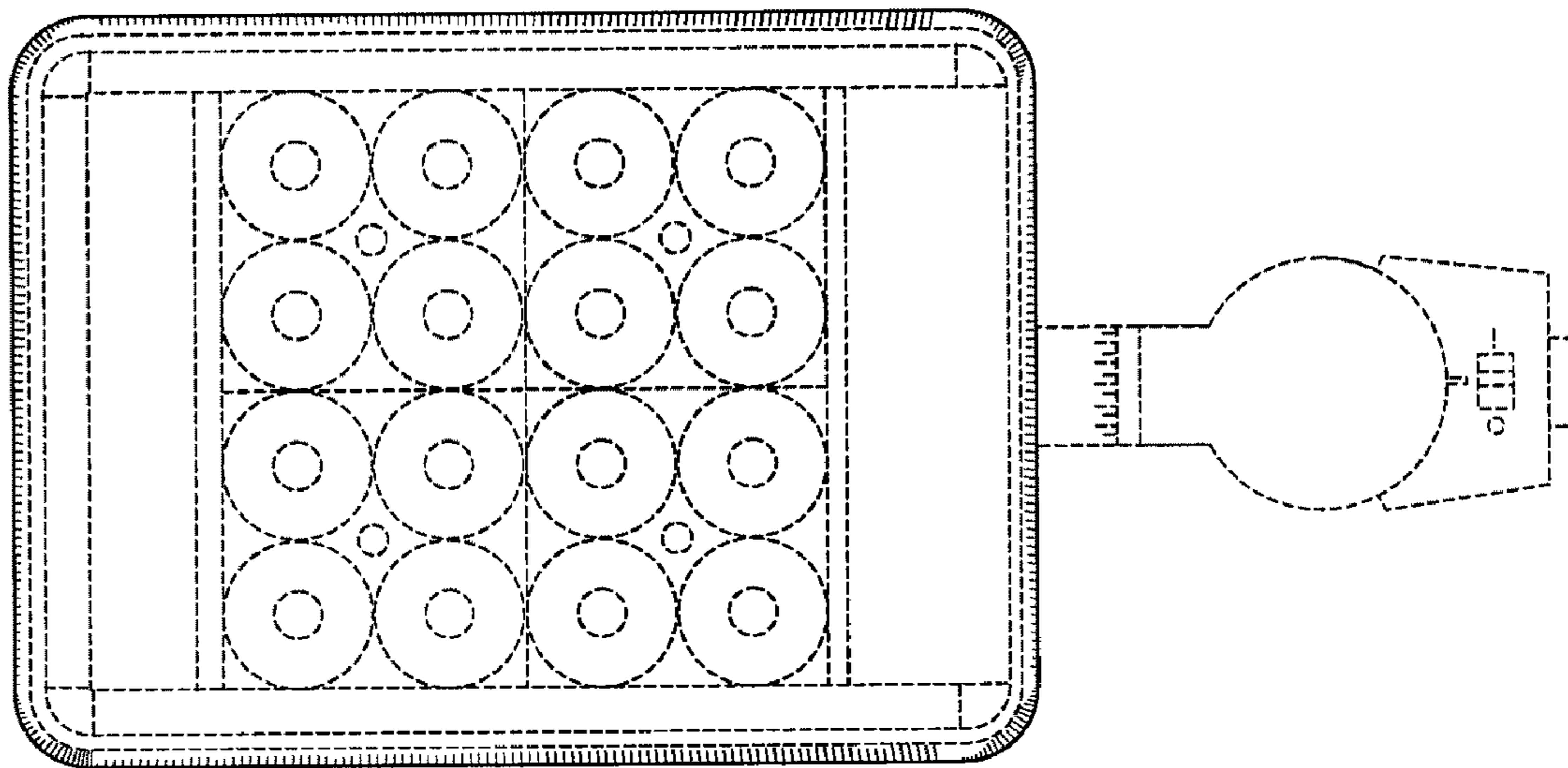


FIG. 7