



US00D648478S

(12) **United States Design Patent**  
**Yu**

(10) **Patent No.:** **US D648,478 S**  
(45) **Date of Patent:** **\*\* \*Nov. 8, 2011**

- (54) **WING RAIL LED LUMINAIRE**
  - (75) Inventor: **Scott S. Yu**, Mill Valley, CA (US)
  - (73) Assignee: **Vode Lighting LLC**, Sonoma, CA (US)
  - (\*) Notice: This patent is subject to a terminal disclaimer.
  - (\*\*) Term: **14 Years**
  - (21) Appl. No.: **29/375,791**
  - (22) Filed: **Sep. 27, 2010**
  - (51) **LOC (9) Cl.** ..... **26-99**
  - (52) **U.S. Cl.** ..... **D26/118**
  - (58) **Field of Classification Search** ..... D26/154, D26/1, 2, 120, 124, 63, 118, 85, 140, 155, D26/122, 88, 90, 76, 75, 93, 113, 119, 128, D26/145; 362/405, 147, 297, 285, 346, 349, 362/18, 122; D23/366; 345/163, 156, 158; D14/402, 405, 408, 409; D8/354, 356, 373, D8/349, 380; D13/179, 180; D11/89, 90, D11/121
- See application file for complete search history.

5,971,571	A *	10/1999	Rose	.....	362/346
D421,815	S *	3/2000	Herst et al.	.....	D26/76
6,454,442	B1 *	9/2002	Changaris	.....	362/297
D468,473	S *	1/2003	Shemitz et al.	.....	D26/76
6,604,842	B2 *	8/2003	Griffiths	.....	362/277
D482,487	S *	11/2003	Russello et al.	.....	D26/87
7,018,072	B2 *	3/2006	Mier-Langner et al.	.....	362/285
7,607,794	B1 *	10/2009	Thompson	.....	362/147
D607,145	S *	12/2009	Yu	.....	D26/140
2008/0219008	A1 *	9/2008	Schaefer et al.	.....	362/297

\* cited by examiner

*Primary Examiner* — Cathron Brooks  
*Assistant Examiner* — Kevin Rudzinski  
 (74) *Attorney, Agent, or Firm* — Antero & Tormey LLP; Peter J Tormey; Richard Moerschell

(57) **CLAIM**  
 The ornamental design of a wing rail LED luminaire, as shown and described.

**DESCRIPTION**

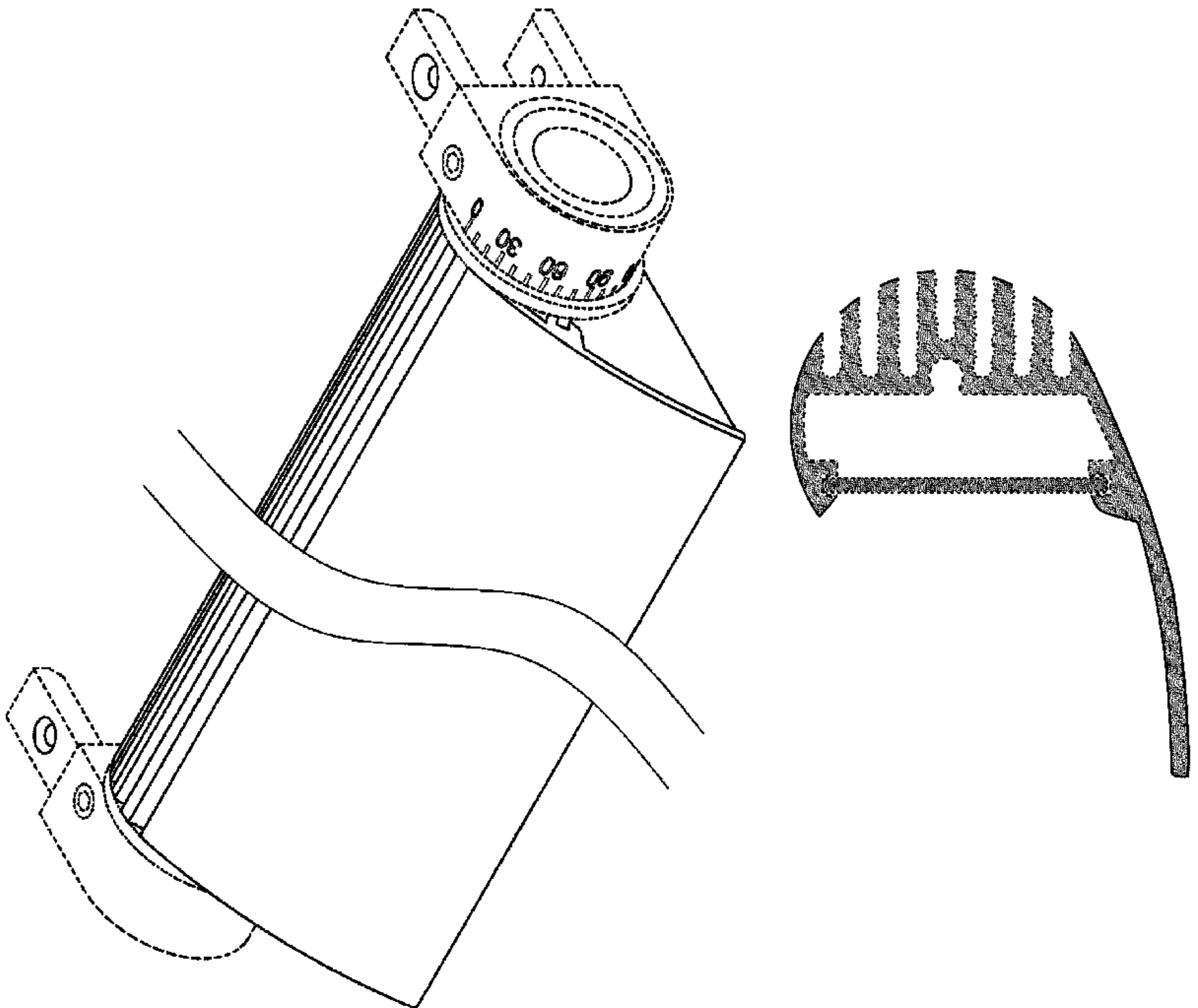
FIG. 1 is a perspective view of a wing rail LED luminaire of the present invention.  
 FIG. 2 is a right side view thereof;  
 FIG. 3 is a left side view thereof;  
 FIG. 4 is a front view thereof;  
 FIG. 5 is a back view thereof with an enlarged detail;  
 FIG. 6 is a top view thereof;  
 FIG. 7 is a bottom view thereof;  
 FIG. 8 is a bottom view thereof with end sections in a rotated position; and,  
 FIG. 9 is a cross section view thereof, taken along line 9—9 in FIG. 6.  
 The broken lines in the figures show environment only and form no part of the claimed invention.

**1 Claim, 9 Drawing Sheets**

(56) **References Cited**

U.S. PATENT DOCUMENTS

581,093	A *	4/1897	Weeks	.....	362/297
D115,417	S *	6/1939	McCann	.....	D26/109
4,150,422	A *	4/1979	Peralta et al.	.....	362/218
4,748,543	A *	5/1988	Swarens	.....	362/147
4,799,136	A *	1/1989	Molnar	.....	362/300
5,032,958	A *	7/1991	Harwood	.....	40/559
5,142,459	A *	8/1992	Swarens et al.	.....	362/147
5,278,737	A *	1/1994	Luce et al.	.....	362/147
D411,027	S *	6/1999	Herst et al.	.....	D26/79



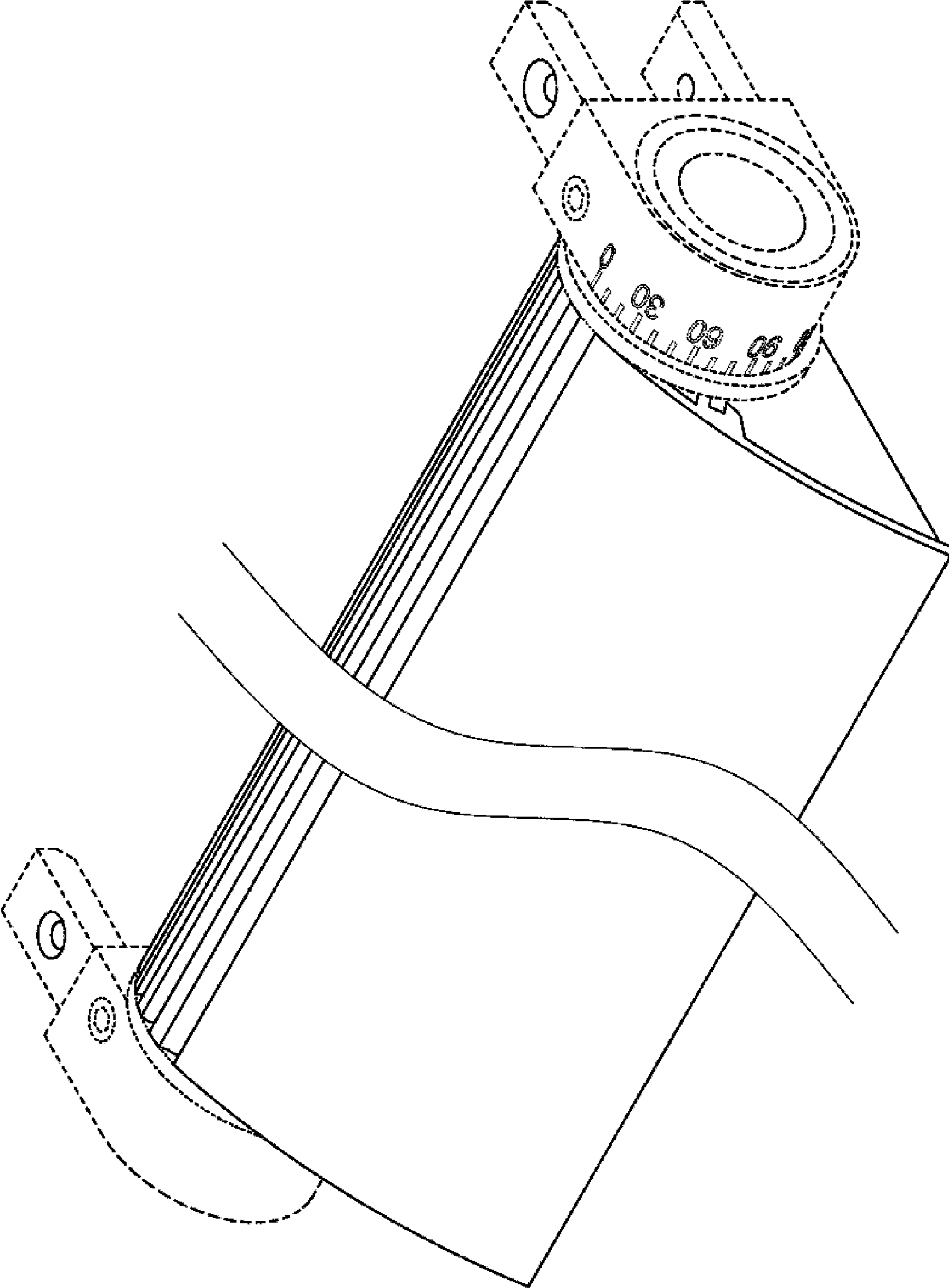


Figure 1

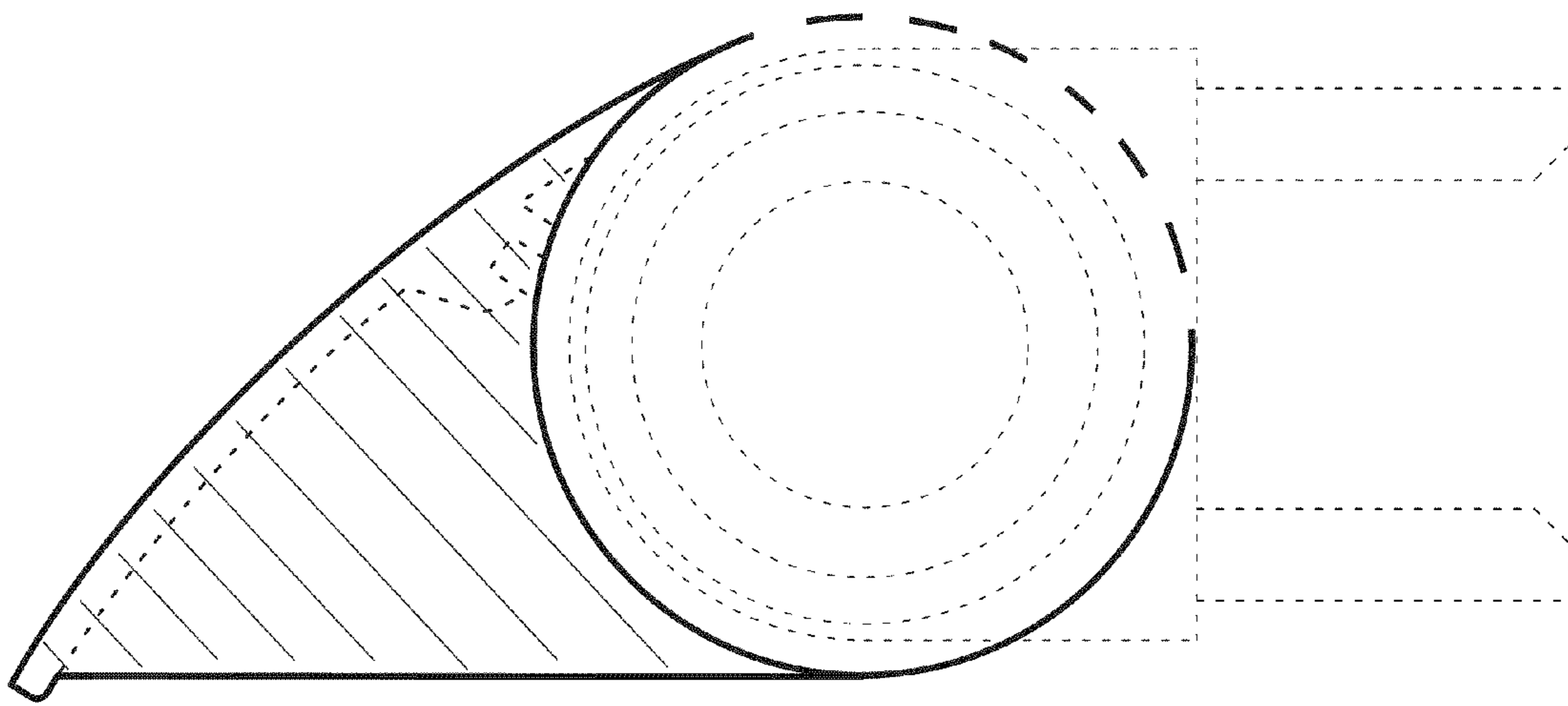


Figure 2

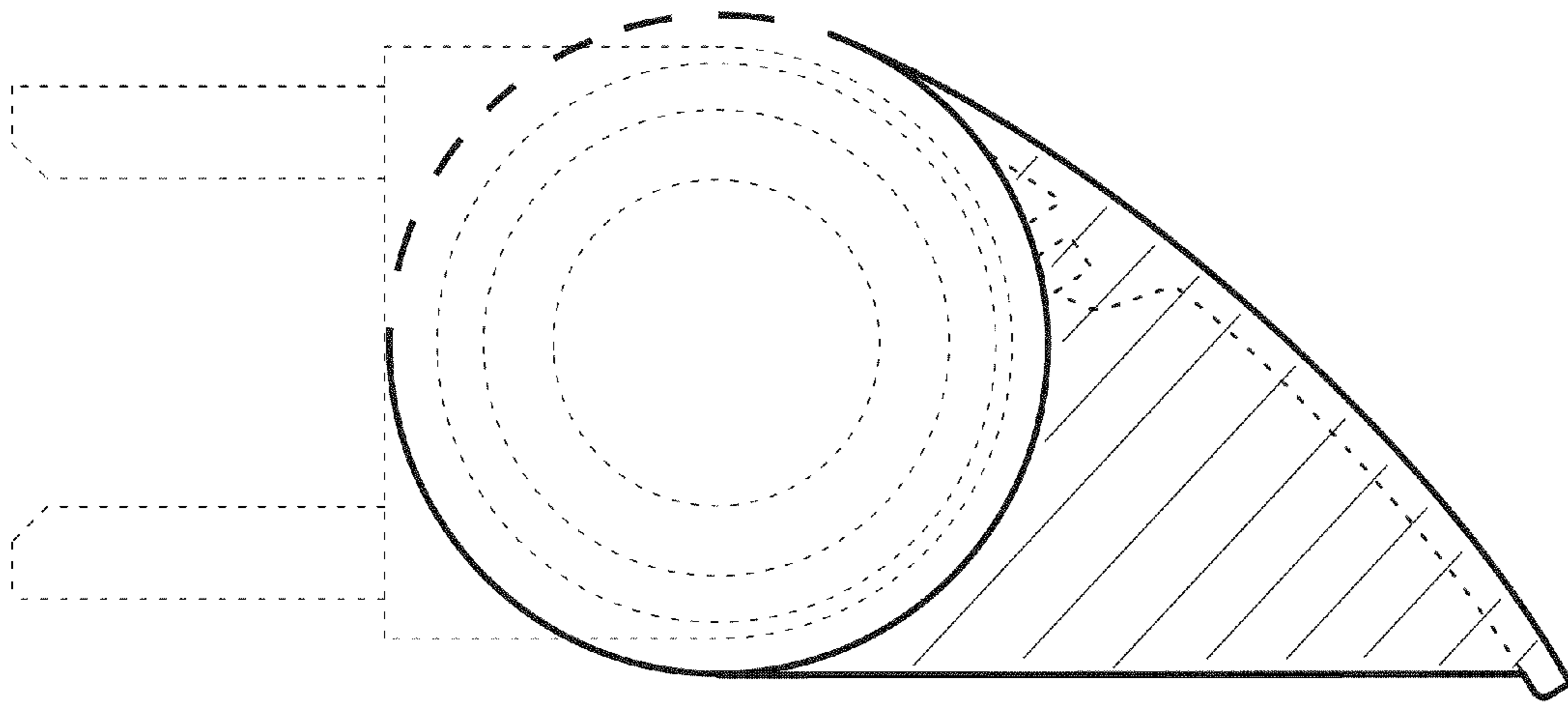


Figure 3

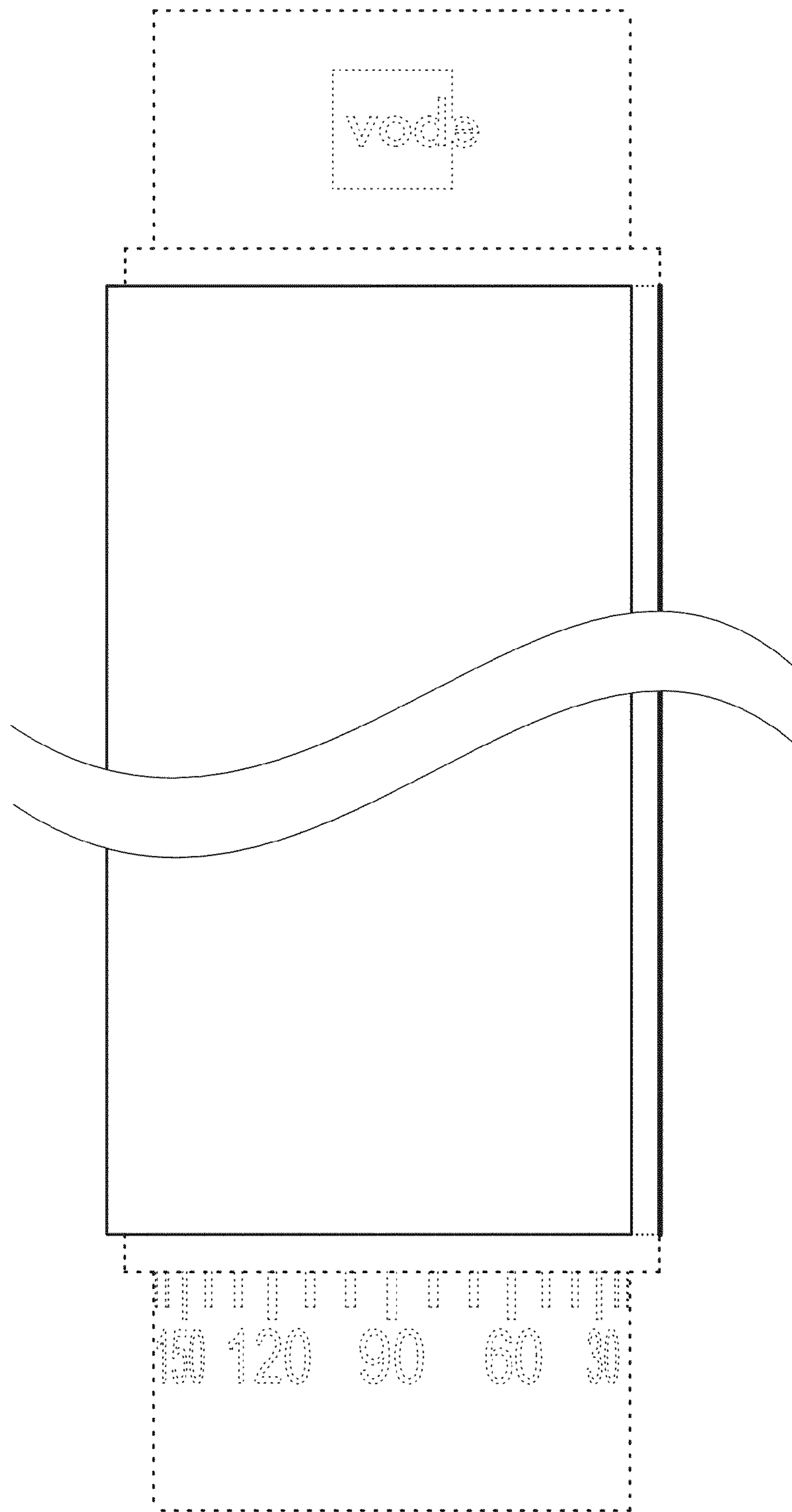


Figure 4

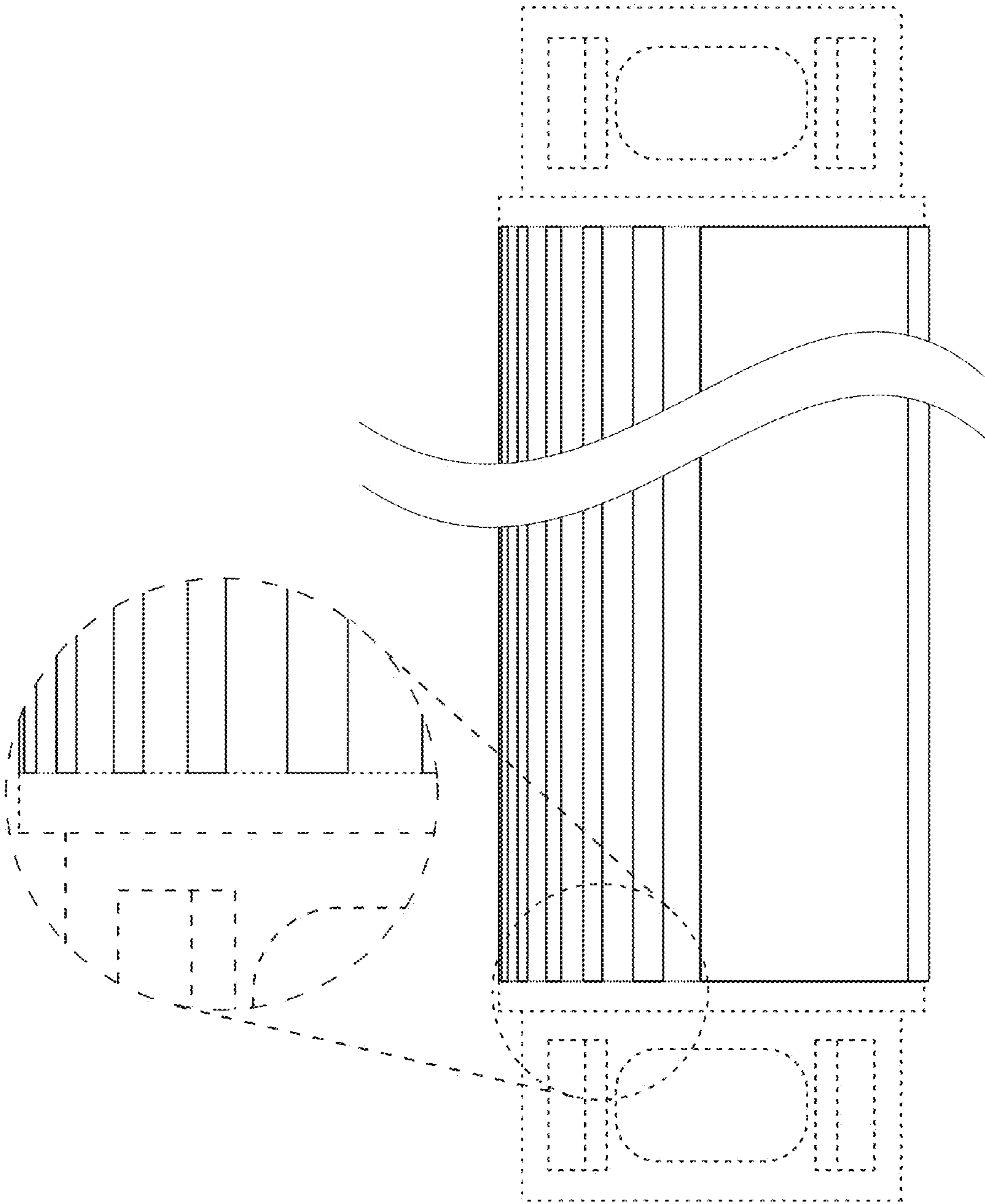


Figure 5

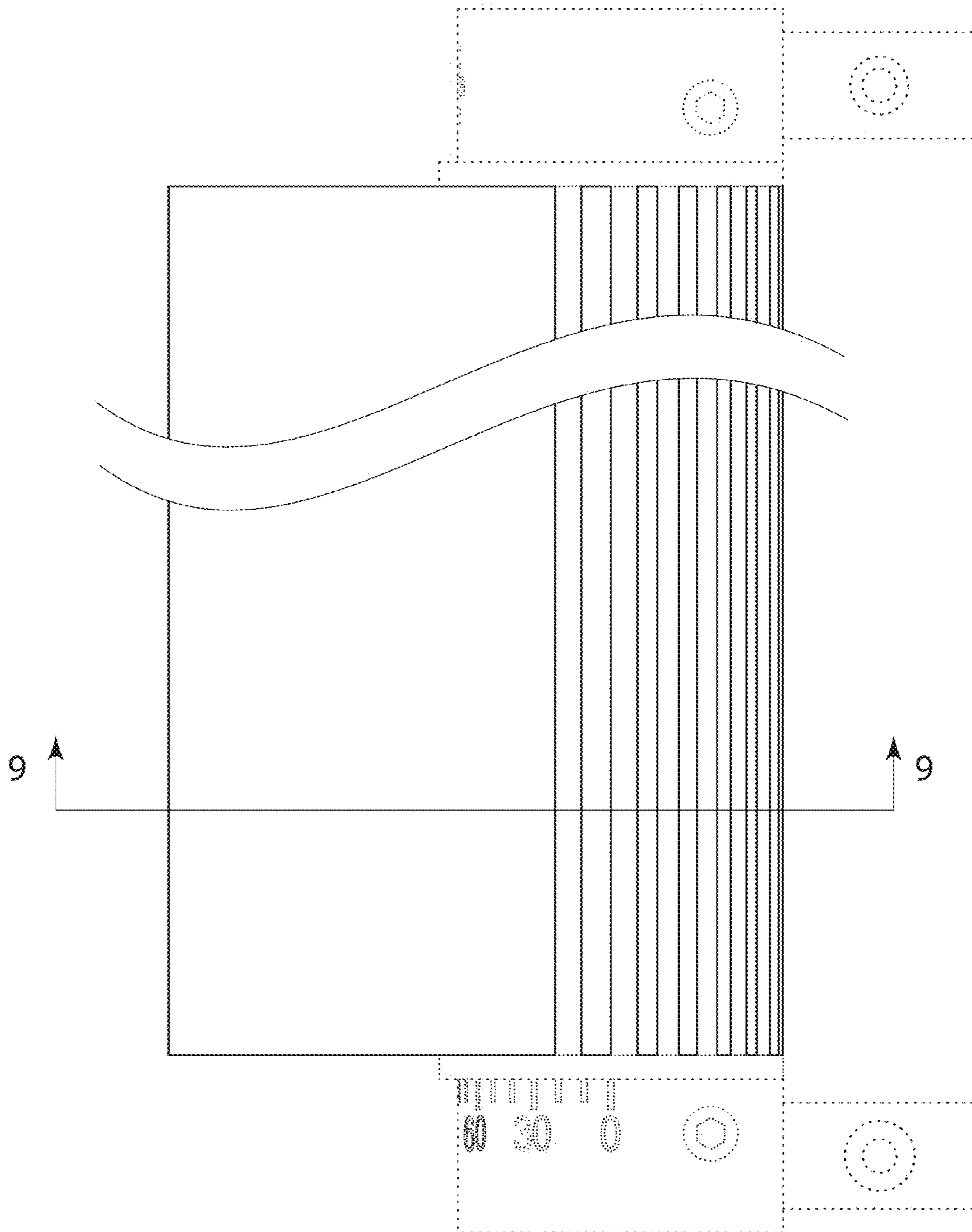


Figure 6

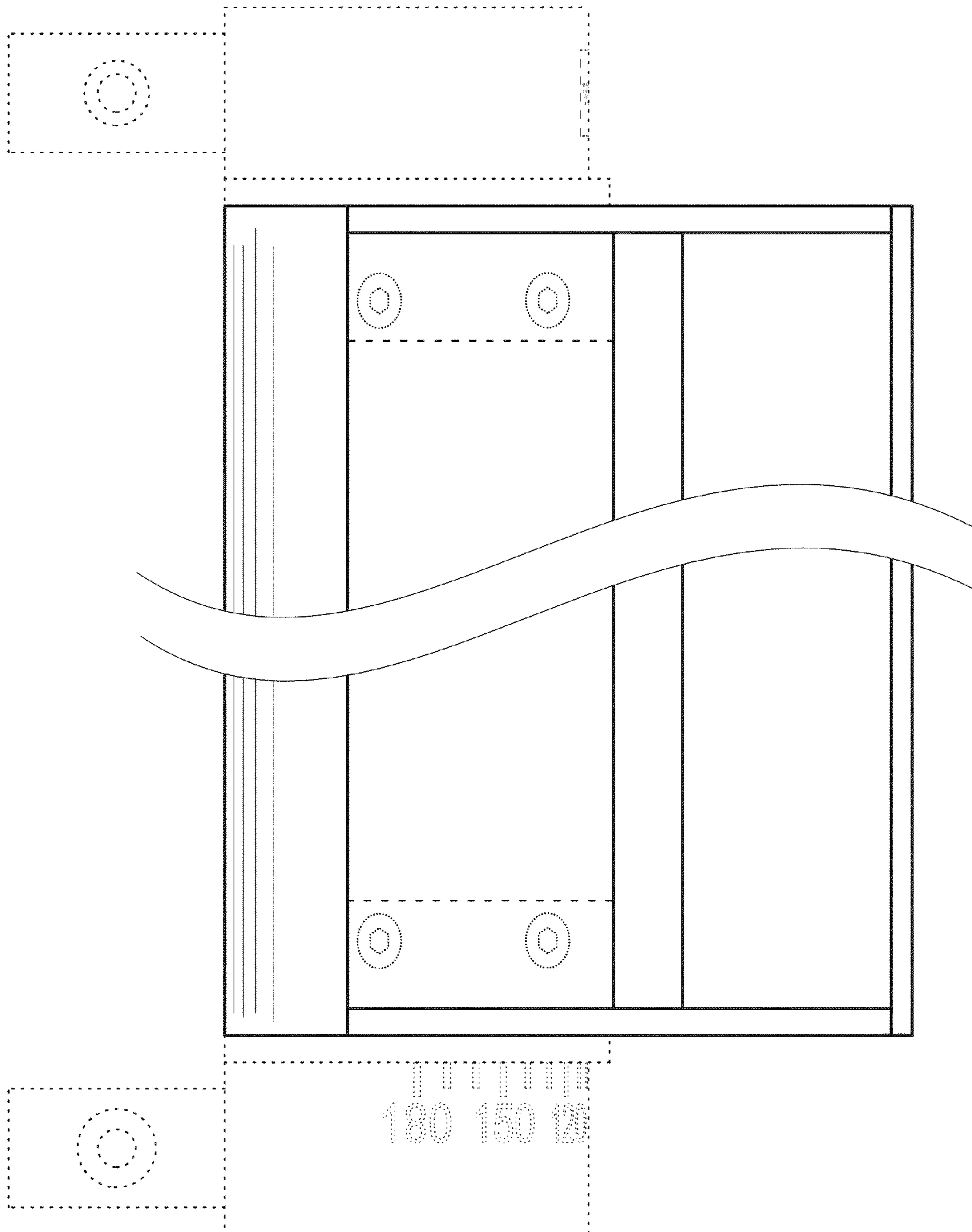


Figure 7



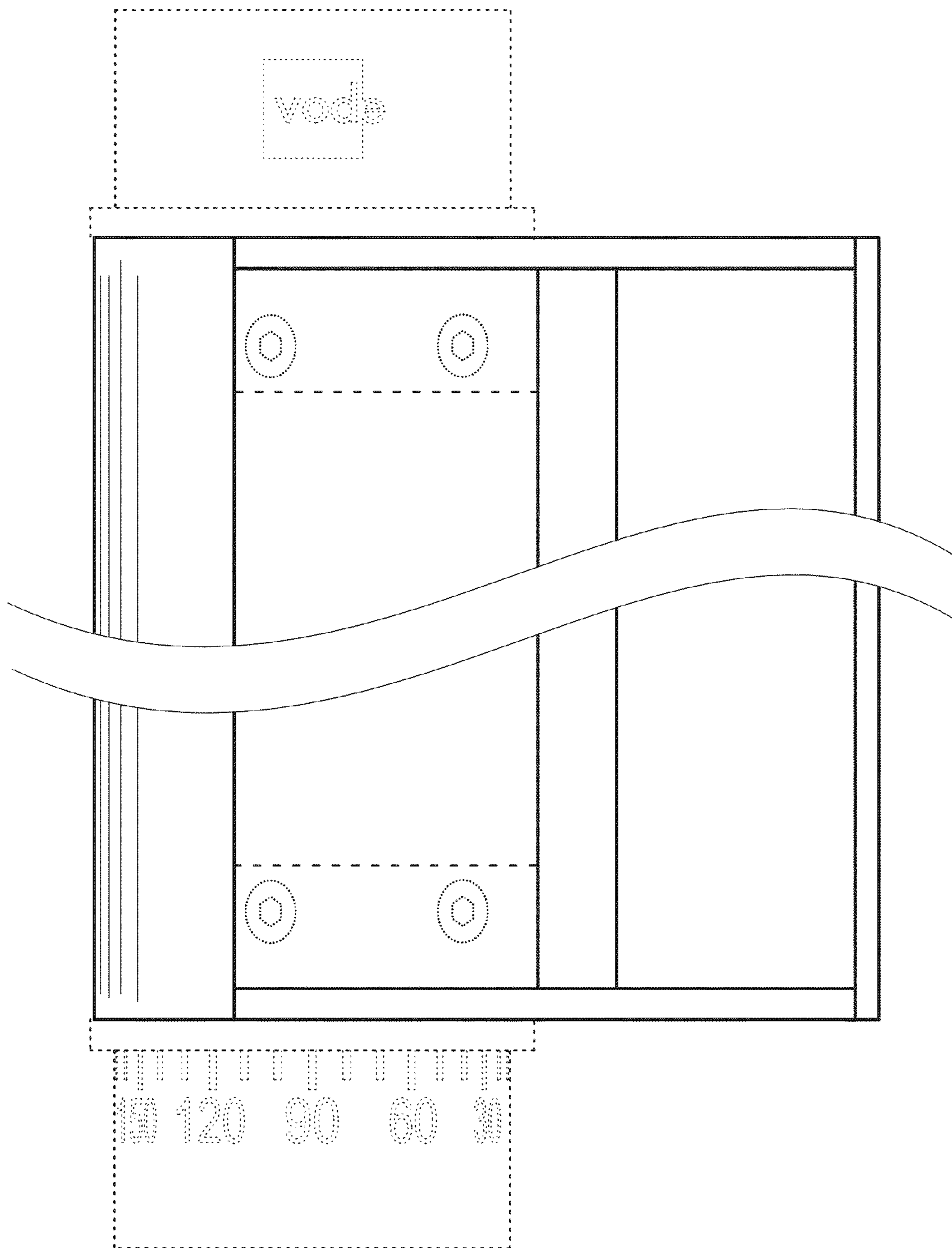


Figure 8

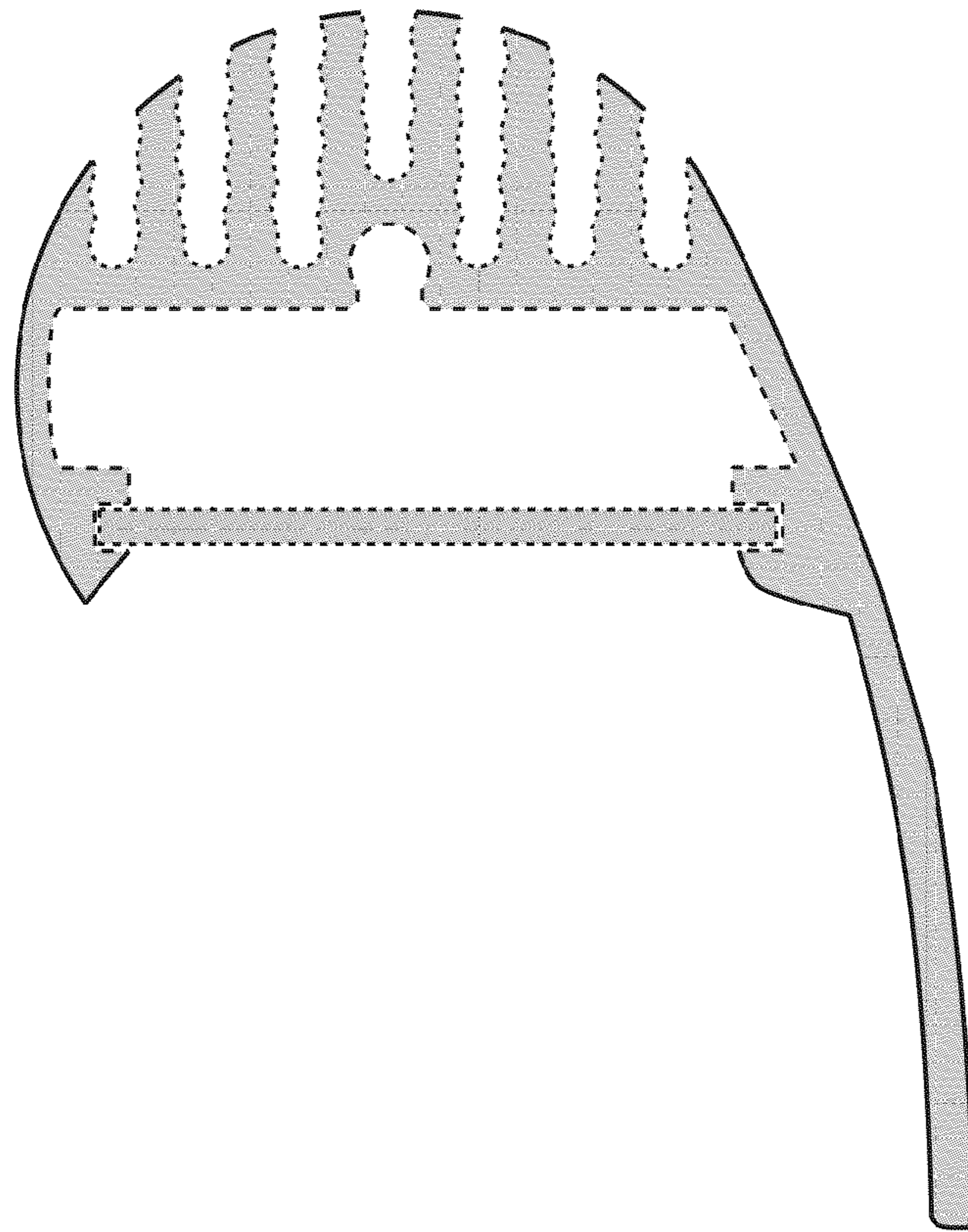


Figure 9