



US00D648477S

(12) **United States Design Patent**
Kim et al.

(10) **Patent No.:** **US D648,477 S**

(45) **Date of Patent:** **** Nov. 8, 2011**

(54) **LED LAMP**

(75) Inventors: **Han Gyoul Kim**, Seoul (KR); **Jin Wook Kim**, Seoul (KR)

(73) Assignee: **LG Innotek Co., Ltd.**, Seoul (KR)

(**) Term: **14 Years**

(21) Appl. No.: **29/360,129**

(22) Filed: **Apr. 20, 2010**

(30) **Foreign Application Priority Data**

Apr. 7, 2010 (KR) 30-2010-0015202

(51) **LOC (9) Cl.** **26-99**

(52) **U.S. Cl.** **D26/118**

(58) **Field of Classification Search** D11/11,
D11/90, 91, 92, 89, 121; D26/94, 154, 144,
D26/138, 63, 65, 142, 71, 93, 76, 78, 88,
D26/80, 69, 74, 72, 118, 119, 120, 113, 121,
D26/122, 155, 128, 129, 1, 2, 28, 152, 123,
D26/124, 153, 130, 141, 92, 85, 145, 87;
273/153 S, 160; 362/253, 405, 96, 394, 362,
362/223, 544, 240, 545; D9/552, 420, 529,
D9/426, 424, 574, 571, 504, 774, 776, 778;
200/331; D25/127, 129; D21/478, 479;
D34/1; D7/509, 510, 523, 586; D13/134,
D13/179, 180; D8/378, 310, 380, 307; D23/377,
D23/411; D6/307, 310, 580, 581
See application file for complete search history.

(56) **References Cited**

U.S. PATENT DOCUMENTS

D70,159 S *	5/1926	Crumley	D26/144
D87,377 S *	7/1932	Andrews	D26/88
D92,831 S *	7/1934	Tyler	D26/26
D175,658 S *	9/1955	Van Koert	D26/20
3,538,321 A *	11/1970	Keller et al.	362/289
4,023,035 A *	5/1977	Rodriguez	250/239
D259,518 S *	6/1981	Garcia et al.	D26/131

4,503,360 A *	3/1985	Bedel	315/112
D284,652 S *	7/1986	Engel	D13/135
D305,193 S *	12/1989	Sajadieh	D7/509
D310,065 S *	8/1990	Cheng	D13/165
D323,565 S *	1/1992	Woodgate	D26/63
D329,101 S *	9/1992	Landefeld	D26/68
D346,239 S *	4/1994	Vamberszky et al.	D26/118
5,351,174 A *	9/1994	Ewing	362/655
D358,115 S *	5/1995	Rahr	D11/144
D367,847 S *	3/1996	Tarulli et al.	D13/158
D378,795 S *	4/1997	King	D7/608
D386,805 S *	11/1997	Bonnette et al.	D26/74
5,823,660 A *	10/1998	Hsu	362/276
D414,587 S *	9/1999	Douglas	D34/1
5,964,522 A *	10/1999	Schaefer et al.	362/350
D418,813 S *	1/2000	Smith	D13/134

(Continued)

Primary Examiner — Kevin Rudzinski

(74) *Attorney, Agent, or Firm* — McKenna Long & Aldridge LLP

(57) **CLAIM**

The ornamental design for an LED lamp, as shown and described.

DESCRIPTION

FIG. 1 is a top front perspective view of an LED lamp showing my new design;

FIG. 2 is a front elevational view thereof;

FIG. 3 is a rear elevational view thereof;

FIG. 4 is a left side elevational view thereof;

FIG. 5 is a right side elevational view thereof;

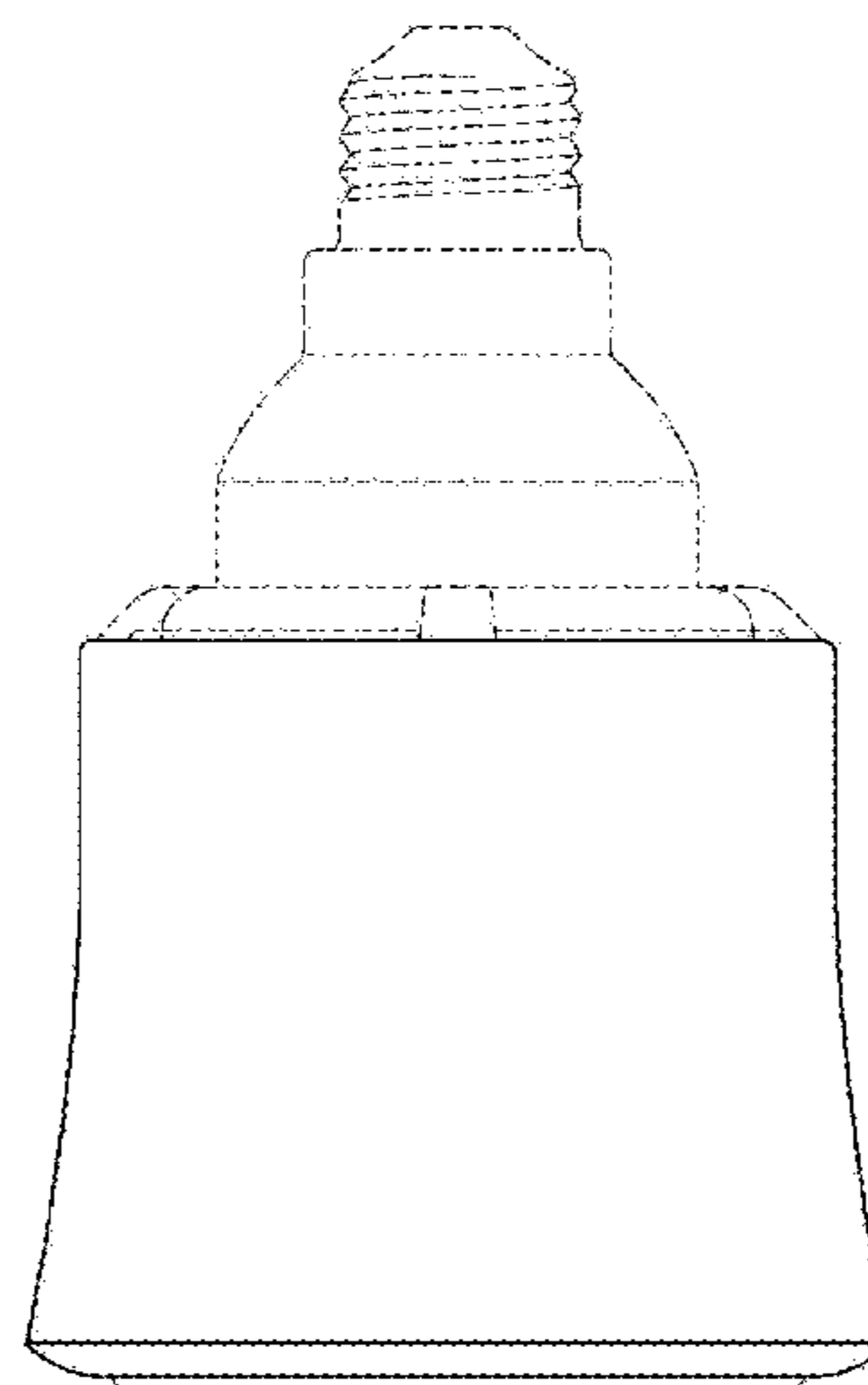
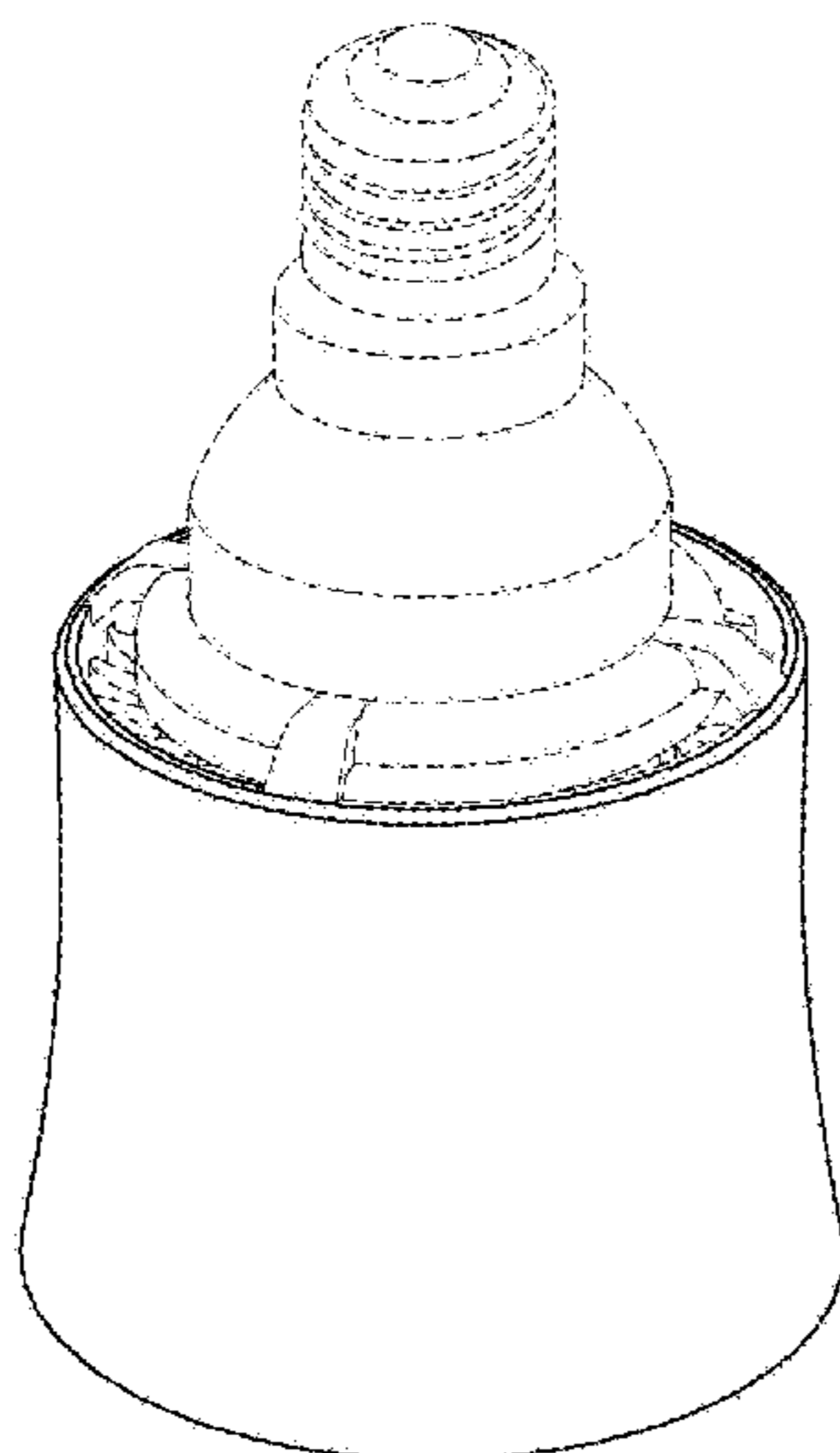
FIG. 6 is a top plan view thereof;

FIG. 7 is a bottom plan view thereof; and,

FIG. 8 is a bottom front perspective view thereof.

The diagonal broken lines in FIG. 8 demark light emitting parts and form no part of the claimed design. The broken lines shown in the drawings are included for the purpose of illustrating environmental structures and form no part of the claimed design.

1 Claim, 5 Drawing Sheets



US D648,477 S

Page 2

U.S. PATENT DOCUMENTS

D418,928	S *	1/2000	Zhang et al.	D26/2
D423,707	S *	4/2000	Hammond	D26/67
D434,943	S *	12/2000	Price	D7/509
6,155,701	A *	12/2000	Leen	362/432
D445,947	S *	7/2001	Johnson	D26/142
6,322,234	B1 *	11/2001	Drake et al.	362/276
D455,486	S *	4/2002	Makino	D23/366
D459,536	S *	6/2002	Dolan	D26/130
D469,209	S *	1/2003	Homann	D26/118
D476,728	S *	7/2003	Gajewski	D23/377
D483,903	S *	12/2003	Skradski et al.	D26/118
D483,904	S *	12/2003	Skradski et al.	D26/118
6,676,281	B2 *	1/2004	Bray et al.	362/391
D508,236	S *	8/2005	Duke et al.	D13/184
D509,317	S *	9/2005	Orfield et al.	D26/128
6,994,457	B2 *	2/2006	Lee	362/366
D517,480	S *	3/2006	Luo	D13/134
D519,322	S *	4/2006	Hutton	D7/523
D519,455	S *	4/2006	Tufano et al.	D13/134
D522,686	S *	6/2006	Lee	D26/142
7,111,963	B2 *	9/2006	Zhang	362/294
D531,452	S *	11/2006	Toth	D7/523
D537,366	S *	2/2007	Pedersen	D9/776
D542,735	S *	5/2007	Keilholz et al.	D13/134
7,220,024	B1 *	5/2007	Berends	362/217.08
D543,845	S *	6/2007	Ioannides et al.	D9/500
D545,131	S *	6/2007	Seum et al.	D7/523
D547,232	S *	7/2007	Lai	D11/91
7,244,051	B2 *	7/2007	Bewig et al.	362/345
D548,877	S *	8/2007	Chen	D26/128
D549,596	S *	8/2007	Ioannides et al.	D9/776
D560,788	S *	1/2008	Farrell et al.	D23/366
D566,880	S *	4/2008	Silver	D26/88
D571,947	S *	6/2008	Chen	D26/118
D575,987	S *	9/2008	Williams	D7/523
D577,259	S *	9/2008	Seum et al.	D7/523
D580,764	S *	11/2008	Shale	D9/500
D581,584	S *	11/2008	Boyer	D26/138
D584,107	S *	1/2009	George	D7/510
D585,588	S *	1/2009	Alexander et al.	D26/118
D591,894	S *	5/2009	Flank	D26/74
D592,054	S *	5/2009	Floyd et al.	D9/435
D592,345	S *	5/2009	Gill	D26/71
D596,501	S *	7/2009	Diss et al.	D9/776
D596,505	S *	7/2009	Diss et al.	D9/778
D596,957	S *	7/2009	Diss	D9/776
D599,666	S *	9/2009	Marotti et al.	D9/454
D605,323	S *	12/2009	Mier-Langner et al.	D26/63
D614,917	S *	5/2010	Calco	D7/509
D628,721	S *	12/2010	Lee	D26/2
7,858,015	B2 *	12/2010	Urquhart et al.	264/301
2007/0091597	A1 *	4/2007	Wang et al.	362/231
2007/0279862	A1 *	12/2007	Li	361/692
2009/0237891	A1 *	9/2009	Liu et al.	361/714

* cited by examiner

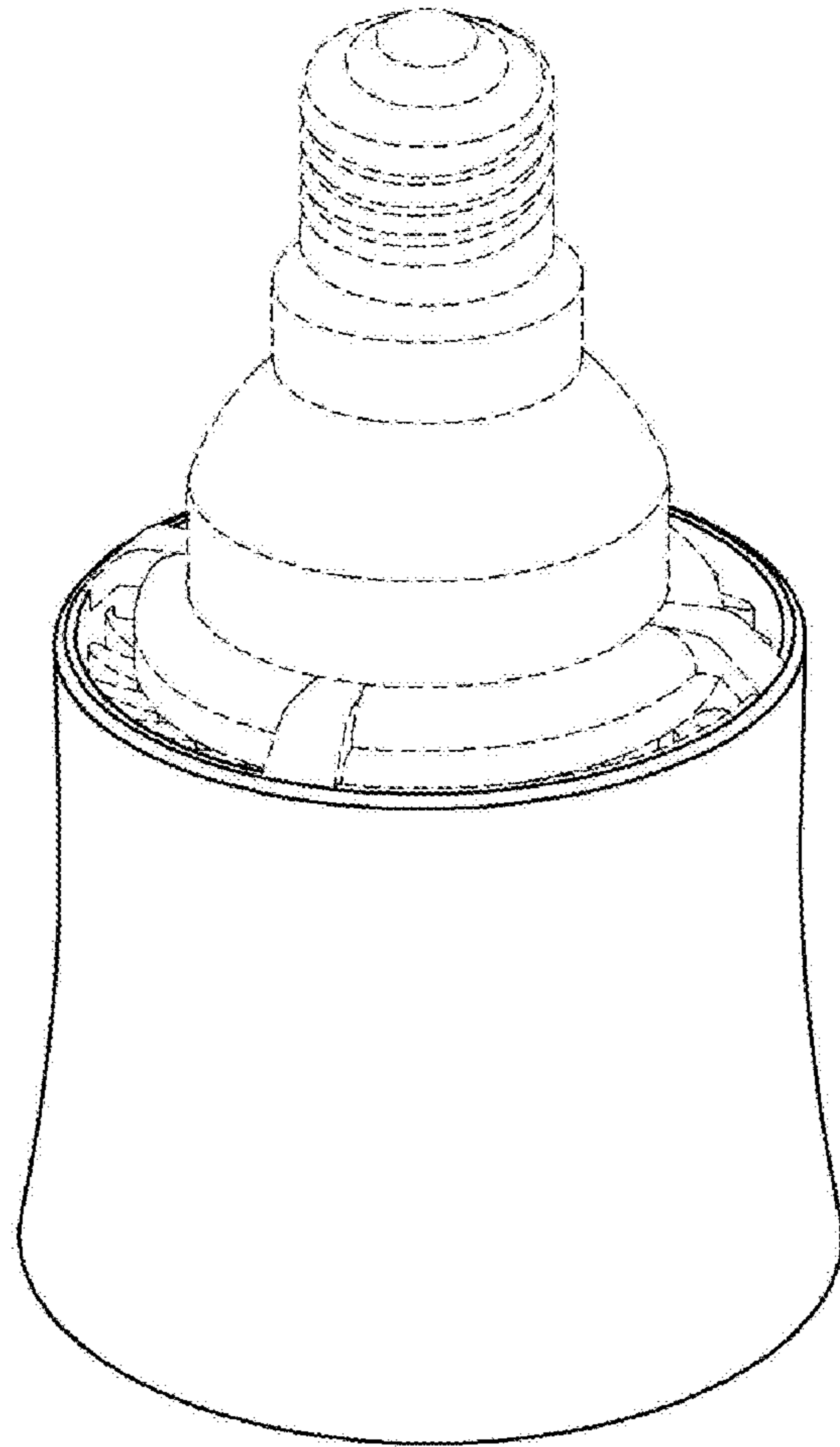


FIG. 1

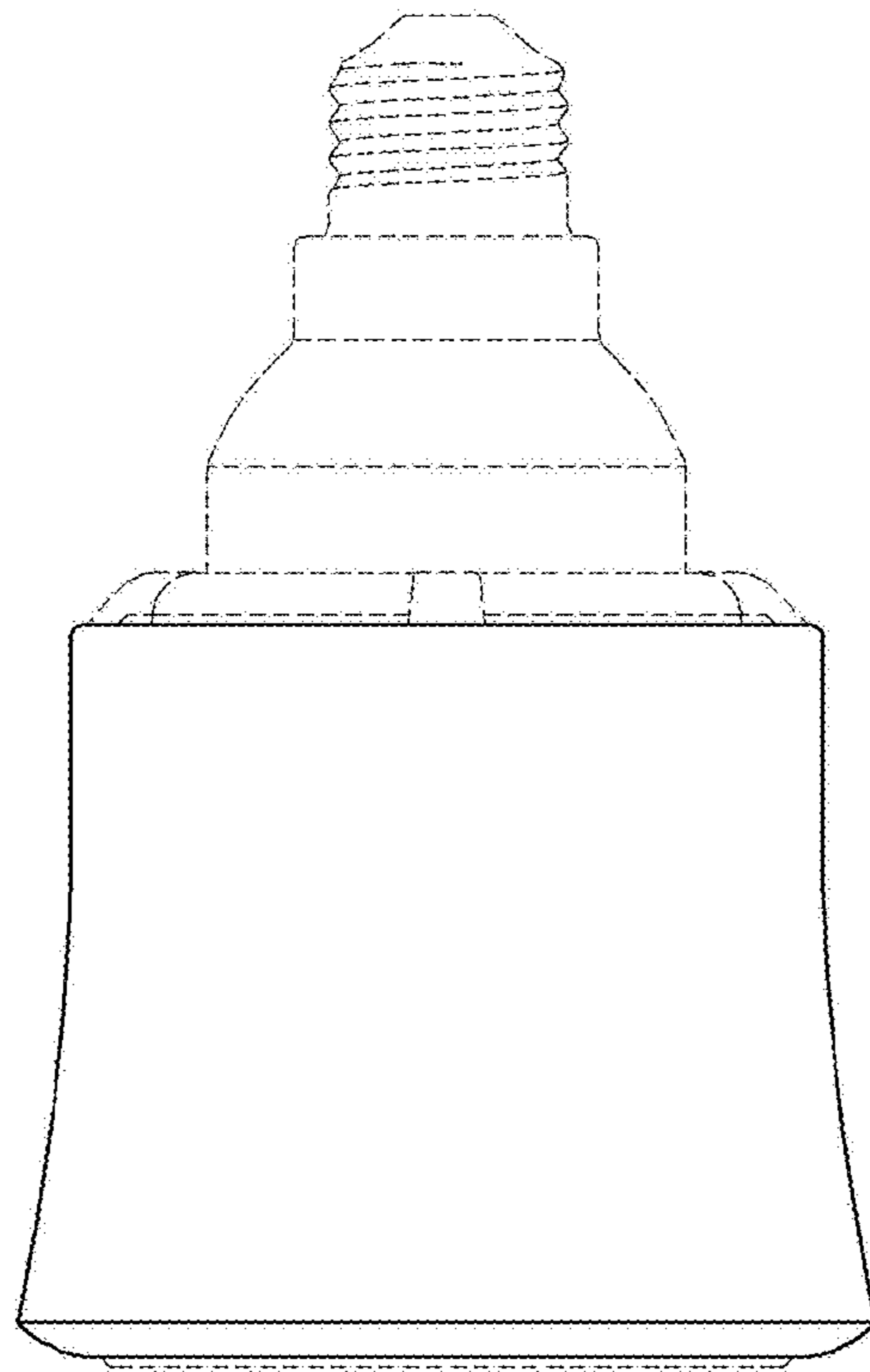


FIG. 2

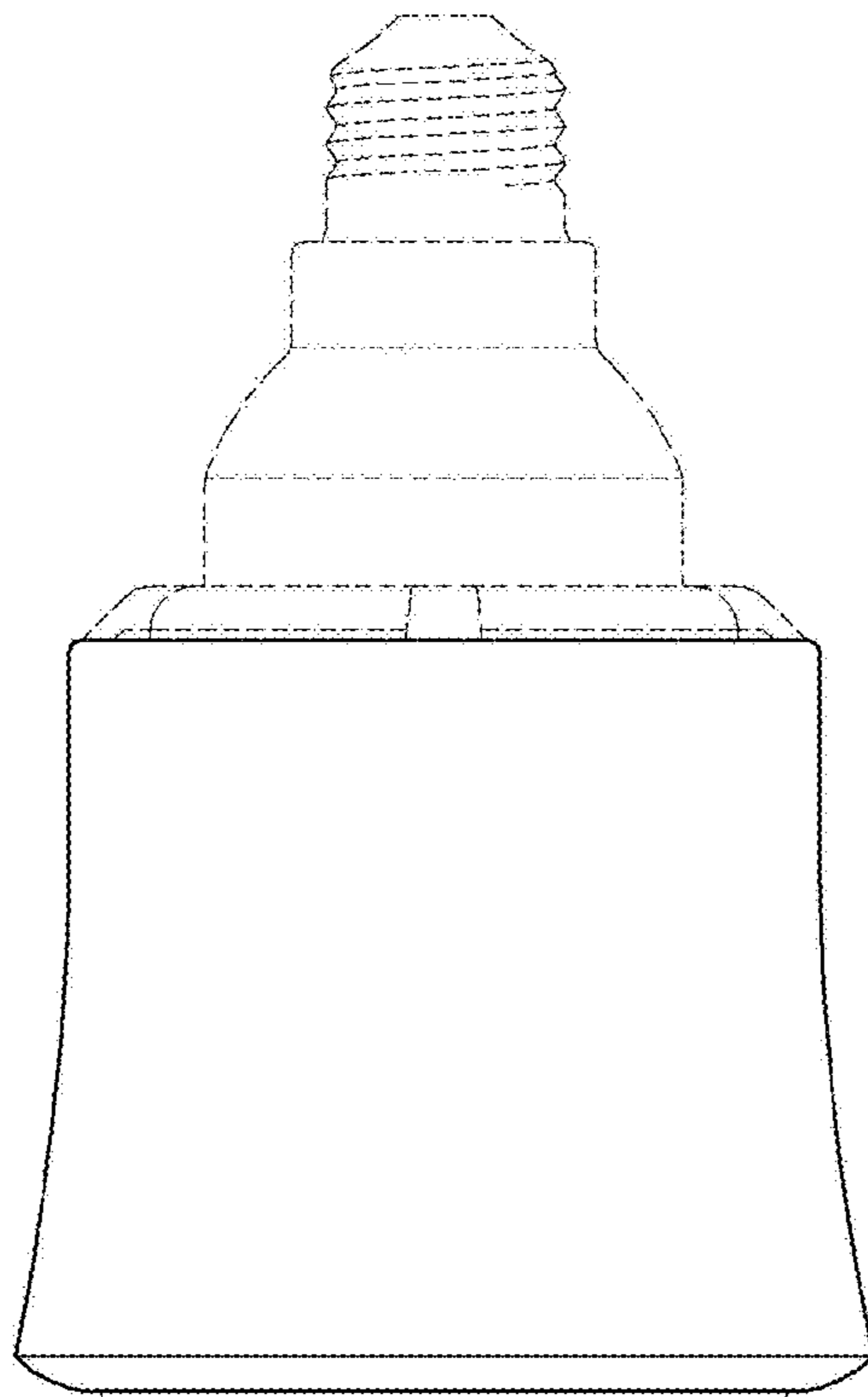


FIG. 3

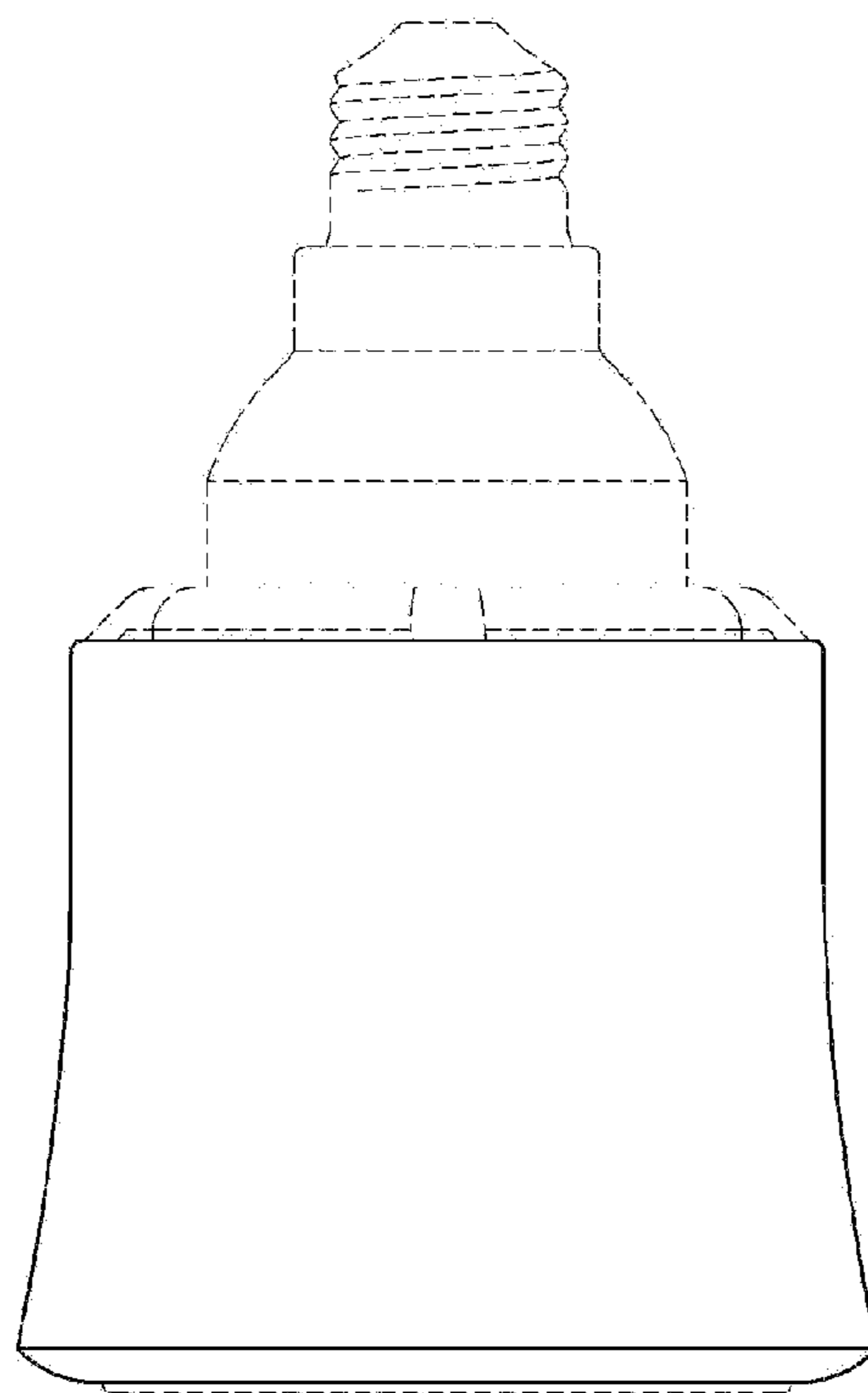


FIG. 4

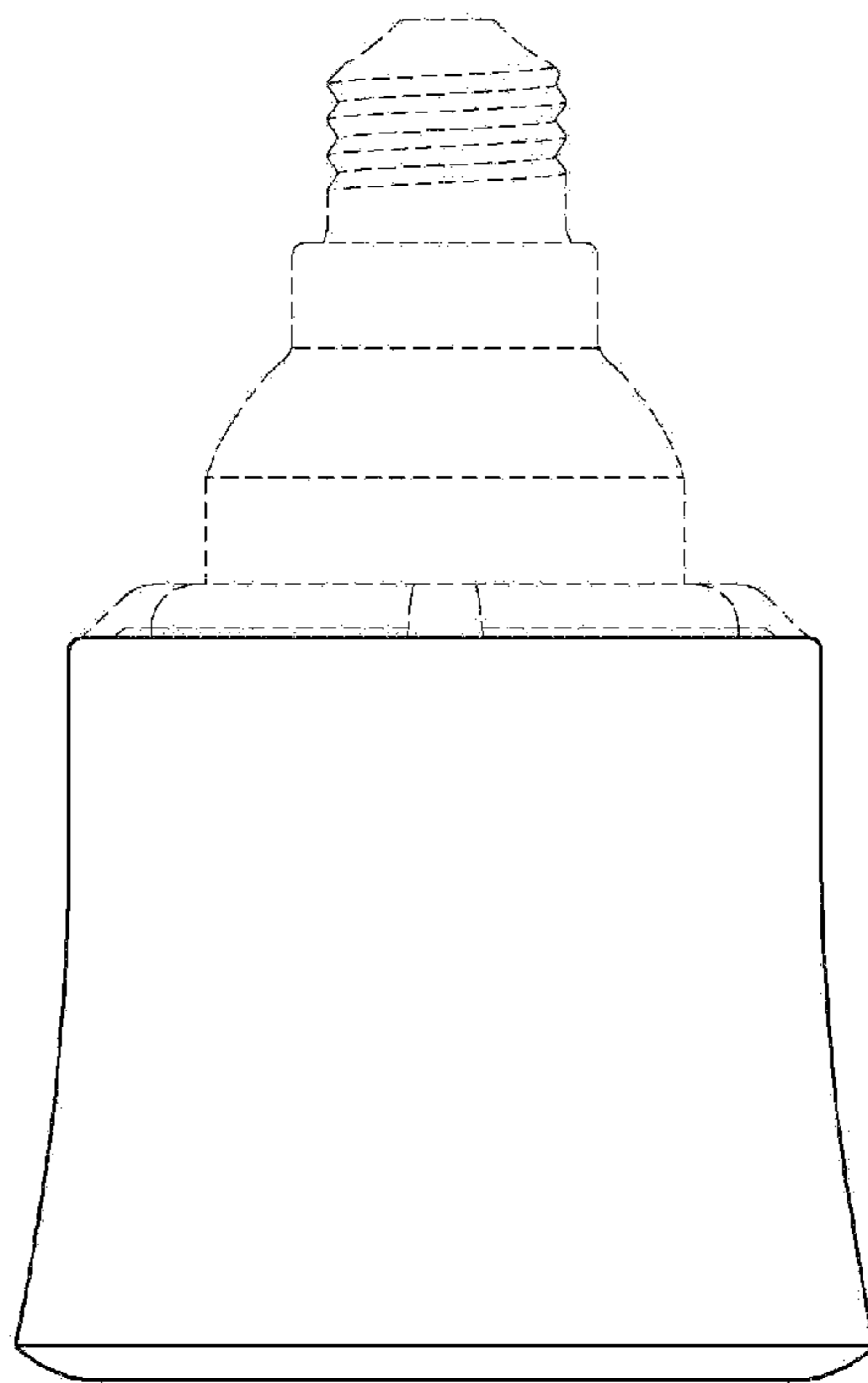


FIG. 5

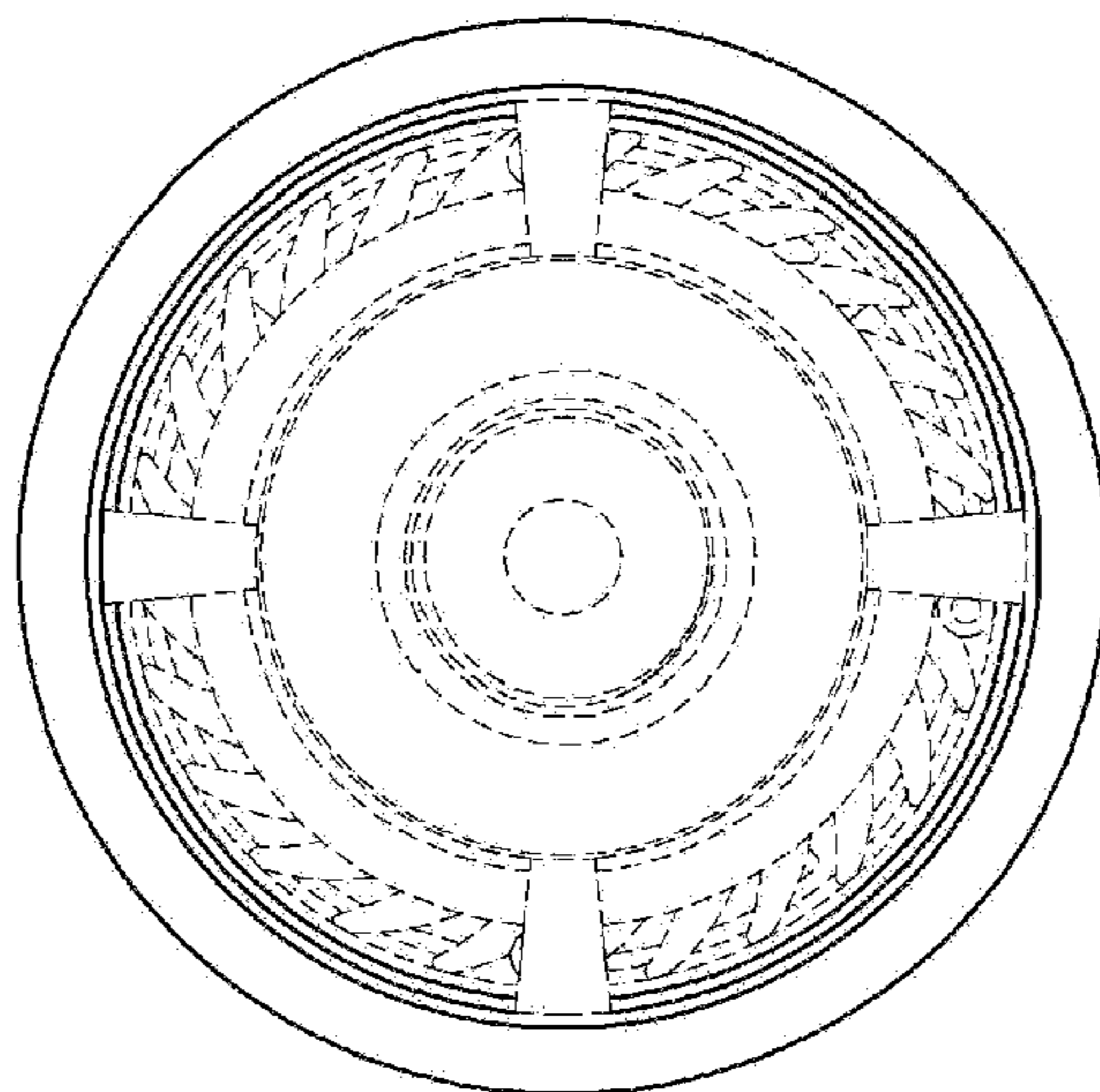


FIG. 6

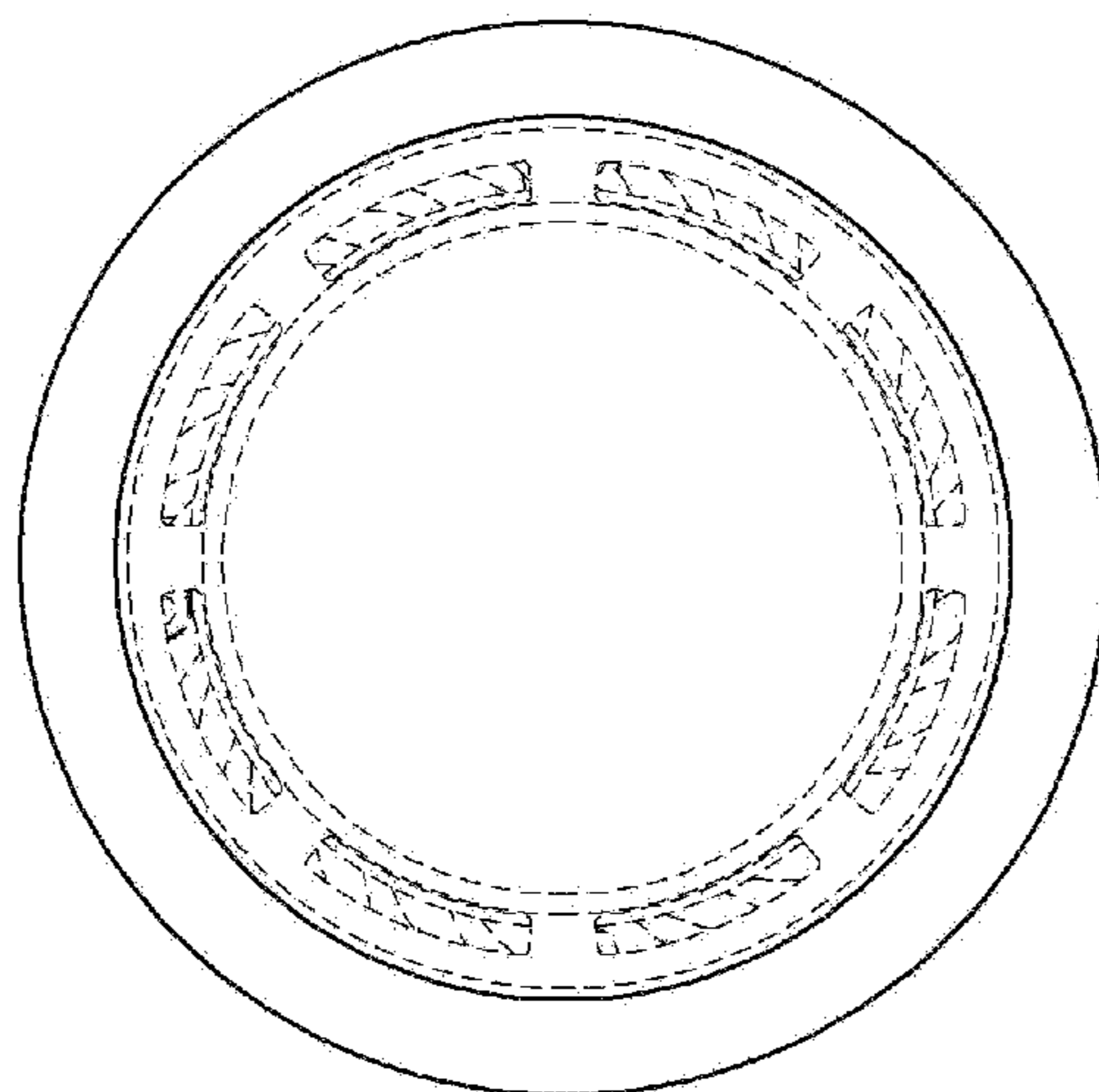


FIG. 7

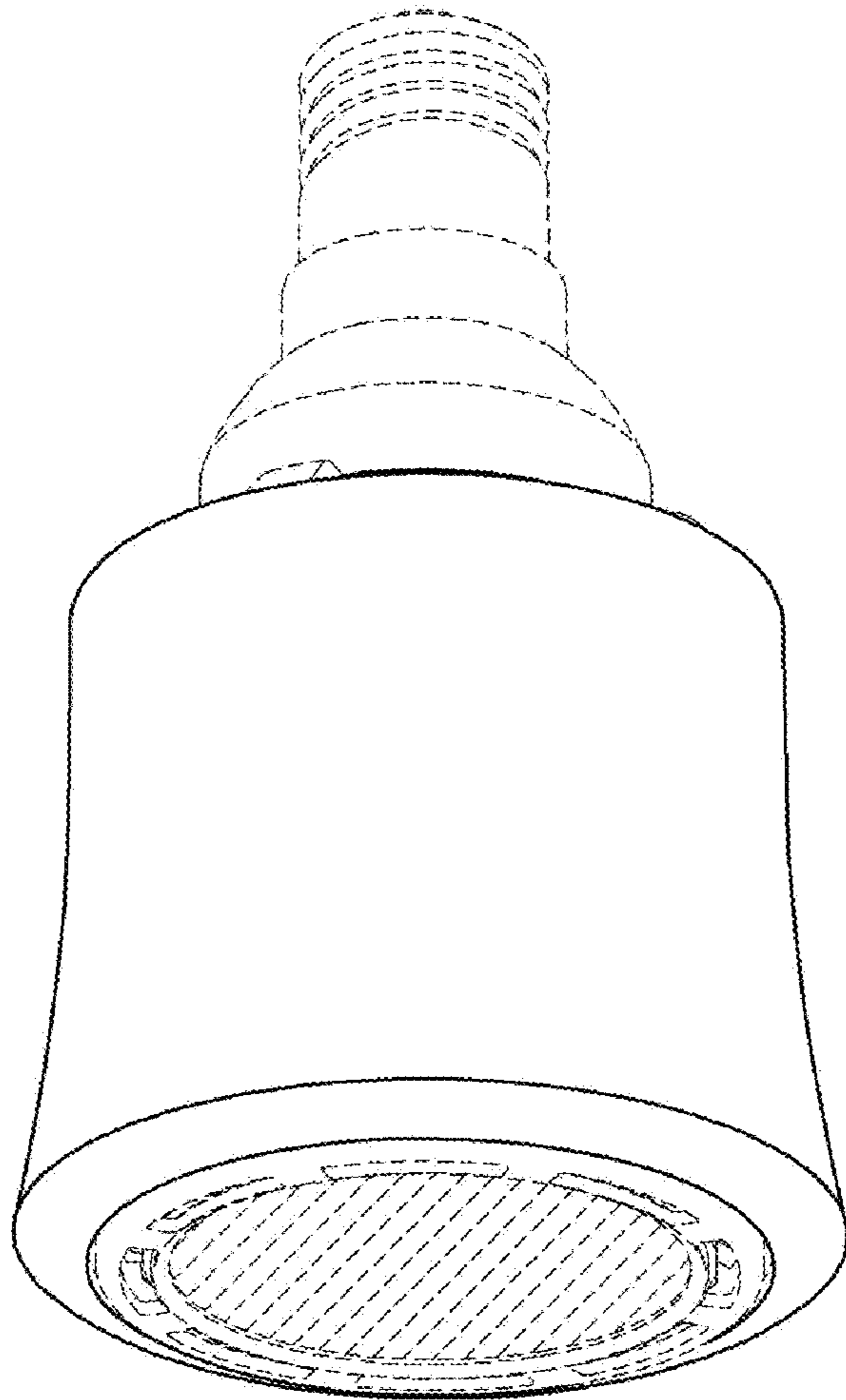


FIG. 8