



US00D648474S

(12) **United States Design Patent**
Wong et al.

(10) **Patent No.:** **US D648,474 S**

(45) **Date of Patent:** **** Nov. 8, 2011**

(54) **STREET LIGHT**

(75) Inventors: **Kwok Fong Wong**, New Territories (CN); **Pui Yi Ching**, New Territories (CN)

(73) Assignee: **Shining Union Limited**, Tsuen Wan, New Territories, Hong Kong (CN)

(**) Term: **14 Years**

(21) Appl. No.: **29/384,843**

(22) Filed: **Feb. 4, 2011**

(30) **Foreign Application Priority Data**

Aug. 5, 2010 (HK) 1001433

(51) **LOC (9) Cl.** **26-05**

(52) **U.S. Cl.** **D26/71**

(58) **Field of Classification Search** D26/67-71, D26/85, 92; 362/145, 183, 231, 240, 249.02, 362/249.03, 249.04, 249.06, 249.16, 373, 362/311.02, 697, 547, 431, 432

See application file for complete search history.

(56) **References Cited**

U.S. PATENT DOCUMENTS

D209,081	S	*	10/1967	Netland	D26/71
D385,643	S	*	10/1997	Brohard et al.	D26/71
D570,025	S	*	5/2008	Walker	D26/71
D573,741	S	*	7/2008	Lou	D26/71
D591,445	S	*	4/2009	Guercio	D26/92
D603,077	S	*	10/2009	Kinnune et al.	D26/71
D609,384	S	*	2/2010	Gray et al.	D26/71
D615,233	S	*	5/2010	Josefowicz et al.	D26/71
D621,988	S	*	8/2010	Zheng et al.	D26/71
7,771,087	B2	*	8/2010	Wilcox et al.	362/294
2009/0251898	A1	*	10/2009	Kinnune et al.	362/249.02

* cited by examiner

Primary Examiner — Clare E Heflin

(74) *Attorney, Agent, or Firm* — Alix, Yale & Ristas, LLP

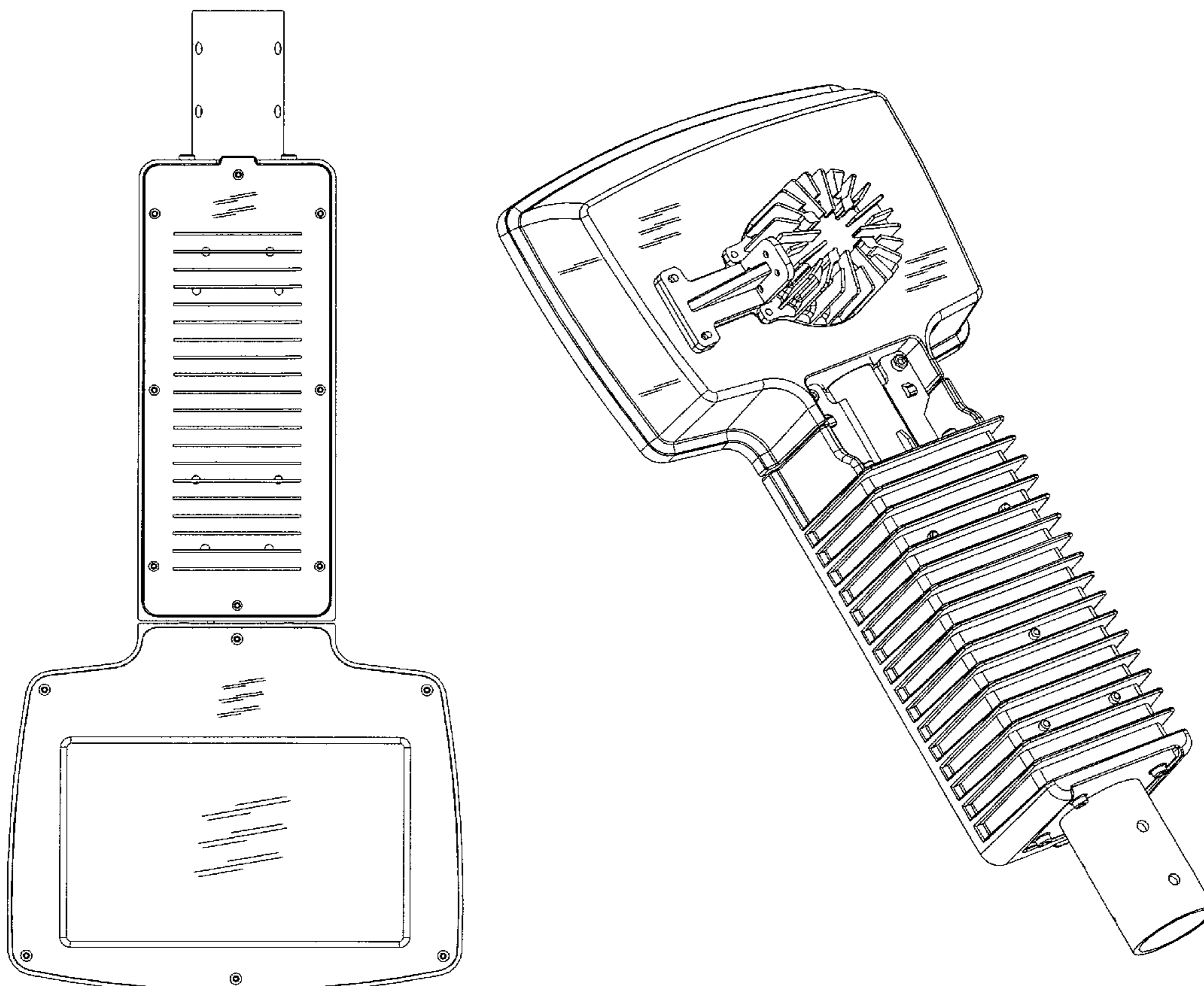
(57) **CLAIM**

The ornamental design for a street light, as shown and described.

DESCRIPTION

FIG. 1 is a front view of a street light showing our new design; FIG. 2 is a rear view thereof; FIG. 3 is a top plan view thereof; FIG. 4 is a bottom plan view thereof; FIG. 5 is a left side view thereof; FIG. 6 is a right side view thereof; and, FIG. 7 is a perspective view thereof.

1 Claim, 7 Drawing Sheets



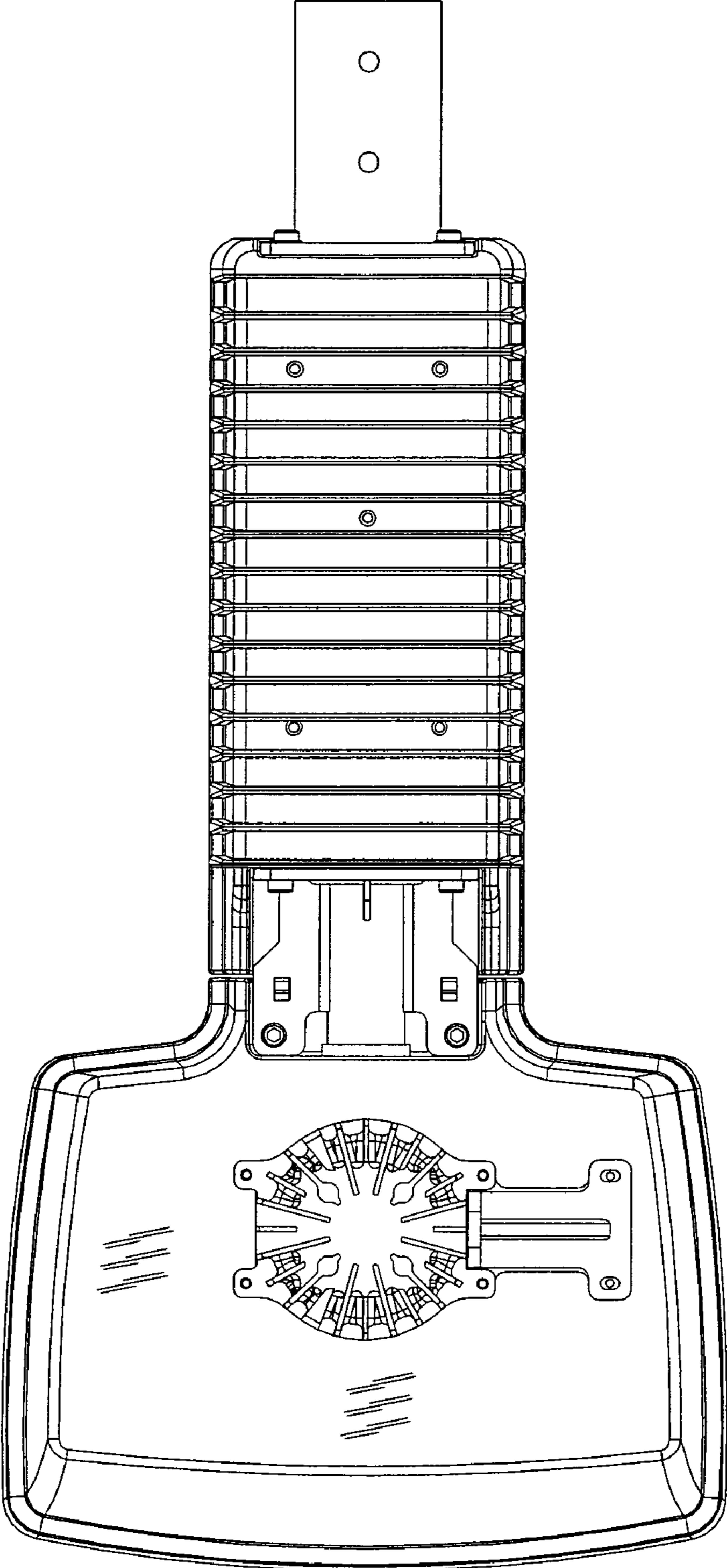


Fig. 1

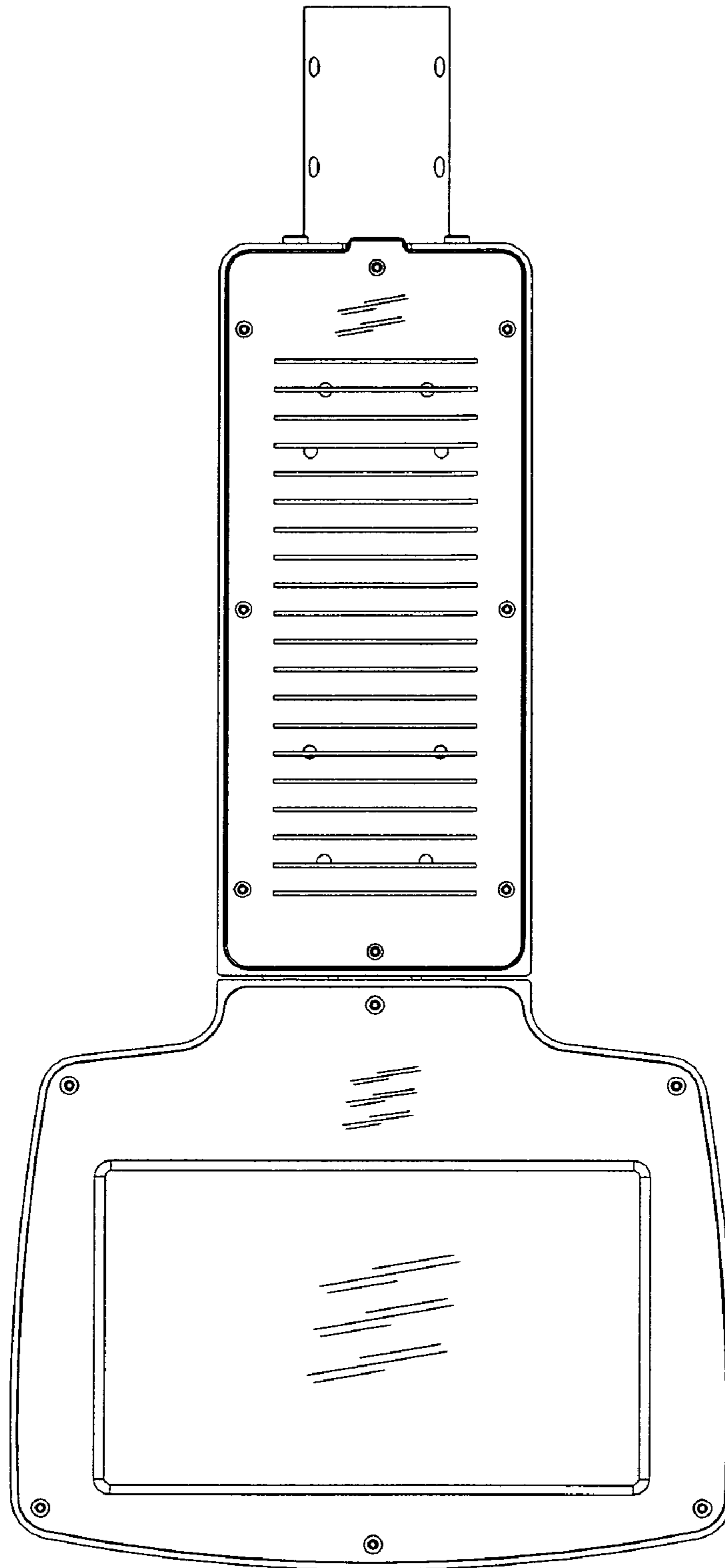


Fig. 2

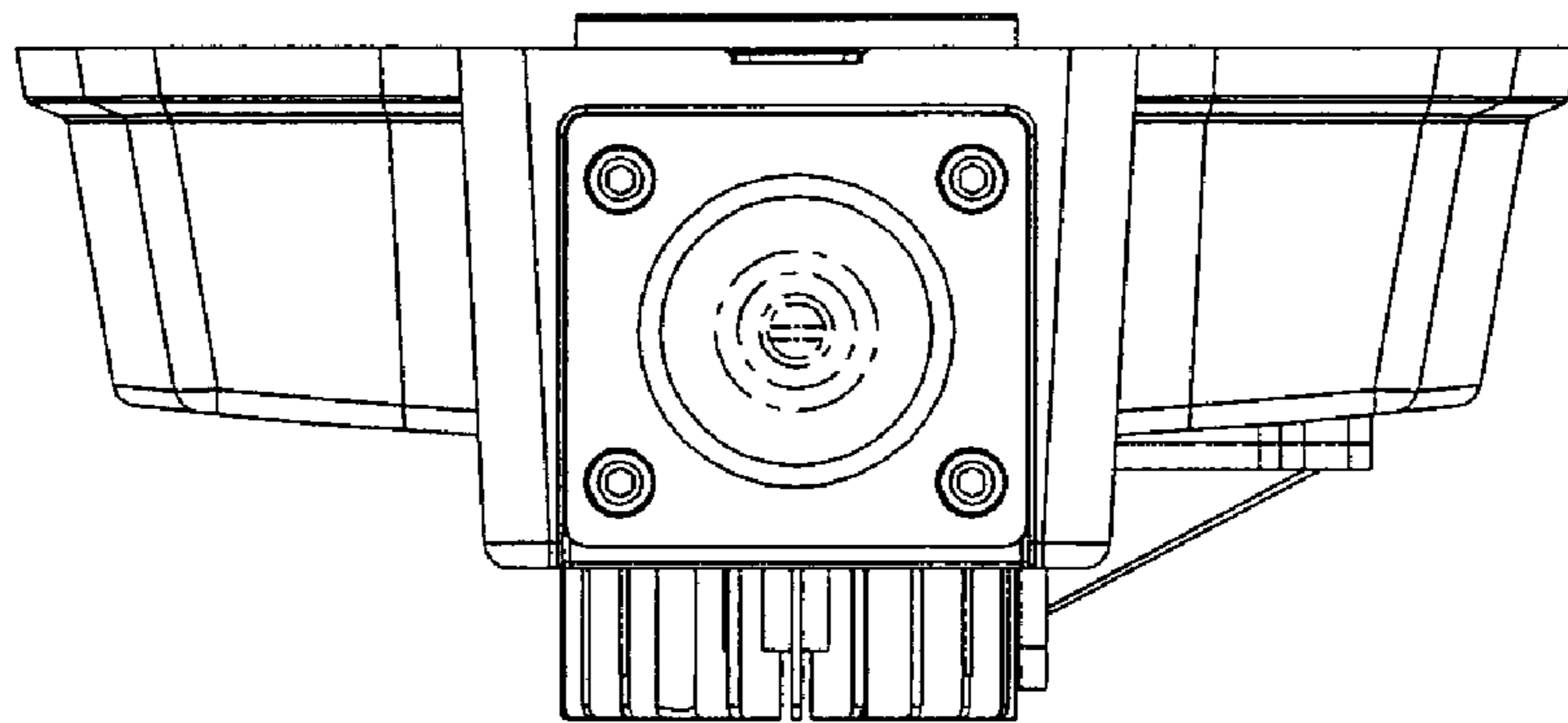


Fig. 3

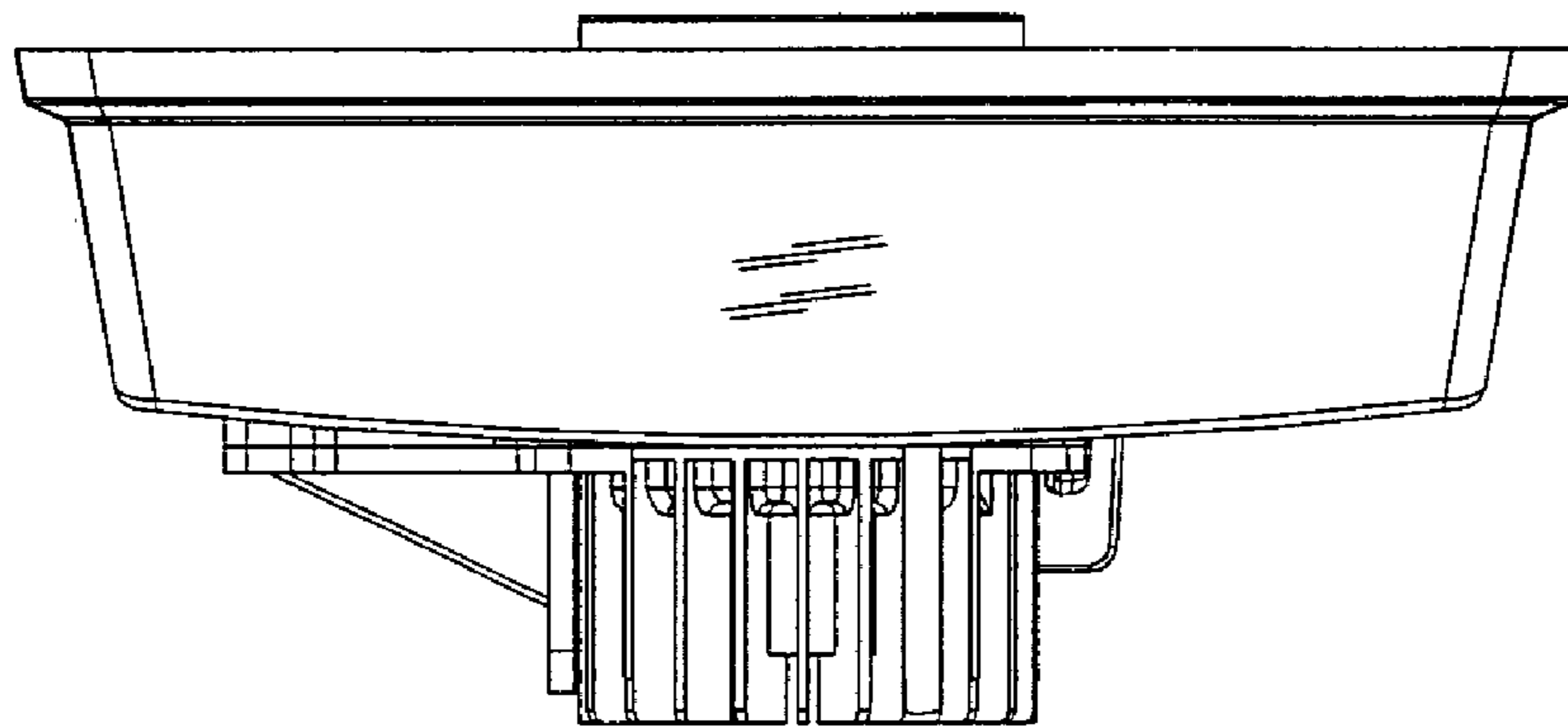


Fig. 4

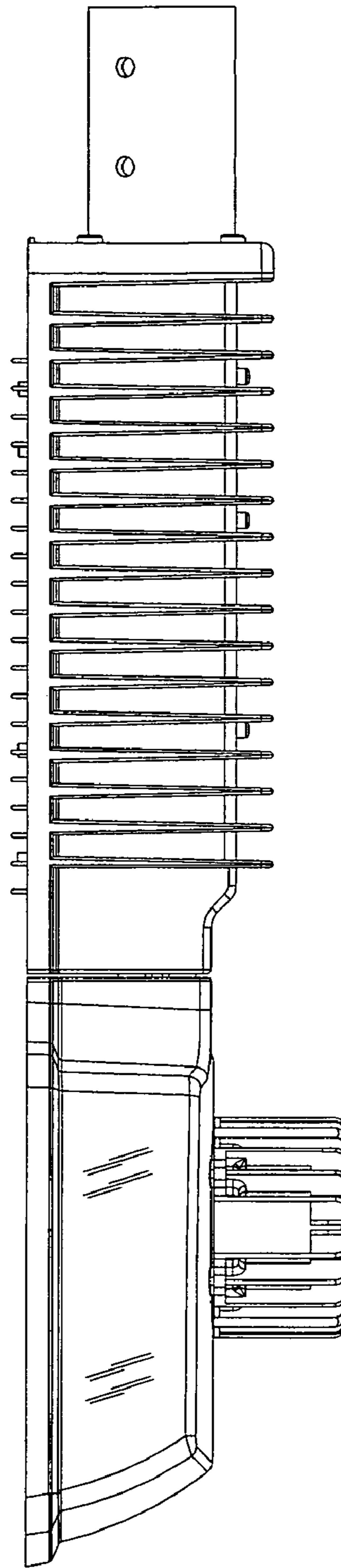


Fig. 5

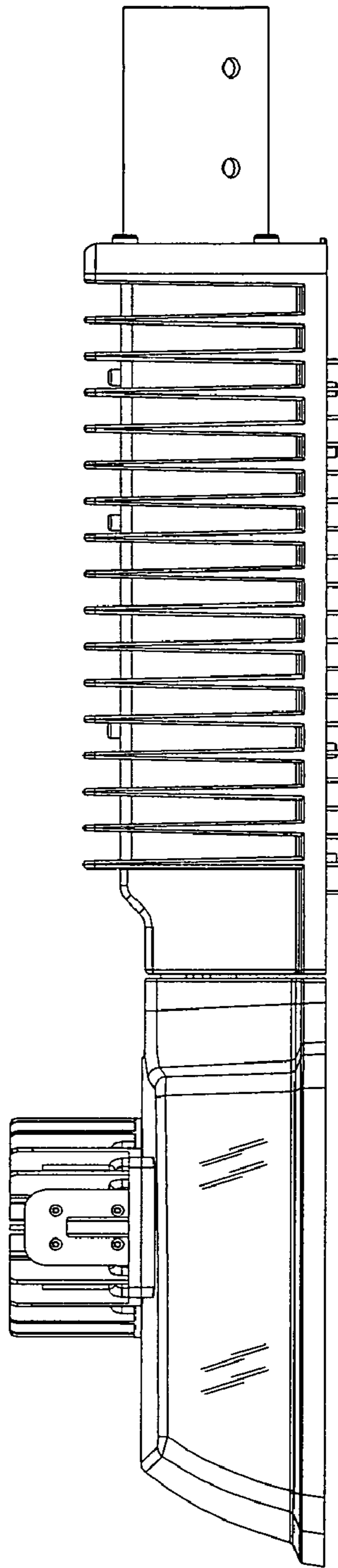


Fig. 6

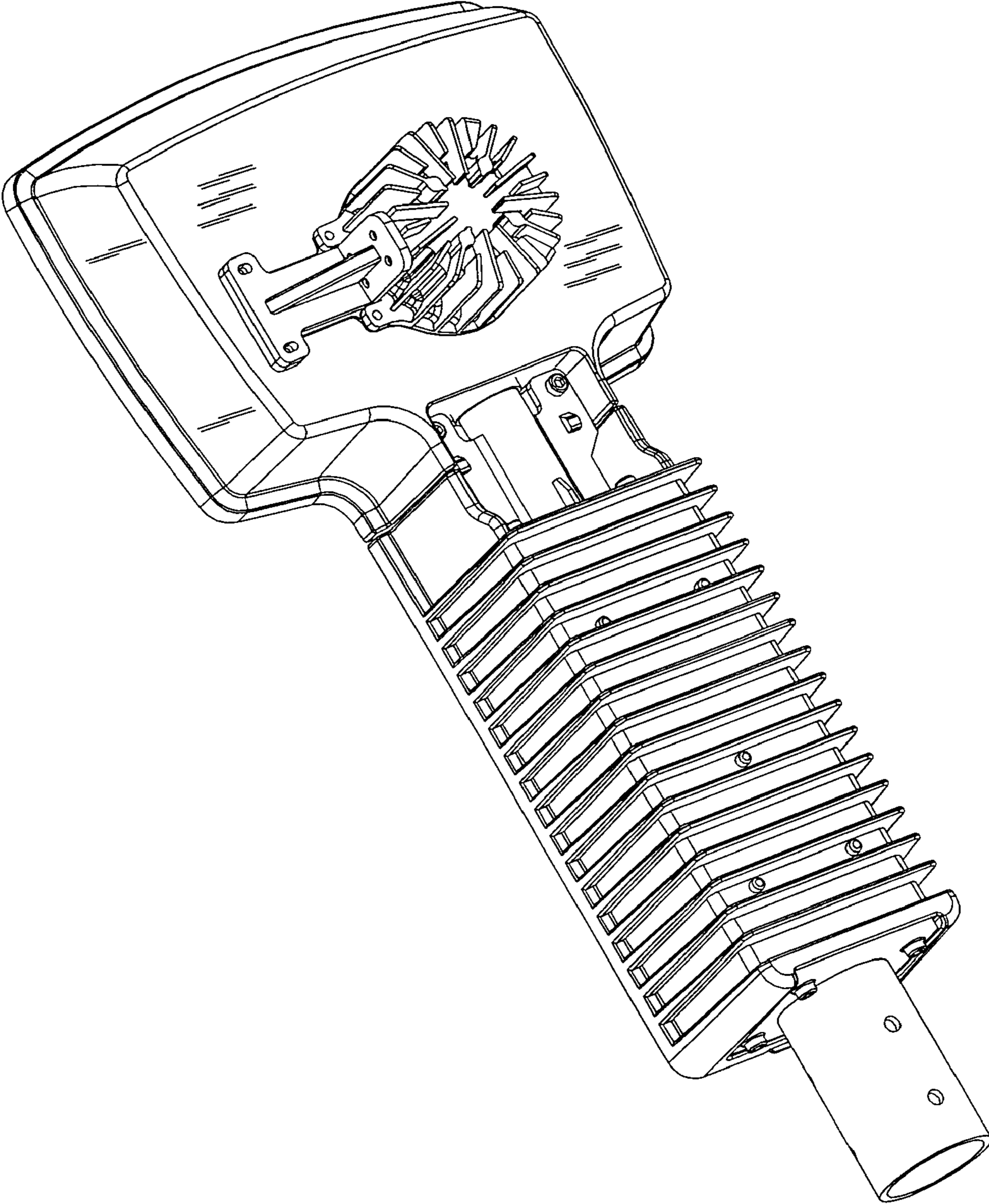


Fig. 7