



US00D648473S

(12) **United States Design Patent**
Lin et al.

(10) **Patent No.:** **US D648,473 S**
(45) **Date of Patent:** **** Nov. 8, 2011**

(54) **LED STREET LAMP**

(75) Inventors: **Wan-Chih Lin**, Hsinchu (TW); **Yi-Ming Tai**, Hsinchu (TW); **Cheng-Wei Yang**, Hsinchu (TW); **Chia-Wen Wu**, Hsinchu (TW); **Shun-Chih Chen**, Hsinchu (TW)

(73) Assignee: **Optotech Corporation**, Hsinchu (TW)

(**) Term: **14 Years**

(21) Appl. No.: **29/379,482**

(22) Filed: **Nov. 19, 2010**

(30) **Foreign Application Priority Data**

Oct. 27, 2010 (TW) 099305515

(51) **LOC (9) Cl.** **26-05**

(52) **U.S. Cl.** **D26/71**

(58) **Field of Classification Search** D26/67-71,
D26/85, 92; 362/145, 183, 231, 240, 249.02,
362/249.03, 249.04, 249.06, 249.16, 373,
362/311.02, 697, 547, 431, 432

See application file for complete search history.

(56) **References Cited**

U.S. PATENT DOCUMENTS

D577,455	S	*	9/2008	Zheng et al.	D26/71
D603,077	S	*	10/2009	Kinnune et al.	D26/71
D610,733	S	*	2/2010	Chang	D26/71
D615,233	S	*	5/2010	Josefowicz et al.	D26/71
D615,235	S	*	5/2010	Zheng	D26/71
D619,749	S	*	7/2010	Jong	D26/71
D631,999	S	*	2/2011	Little et al.	D26/71
D632,000	S	*	2/2011	Little et al.	D26/71
D632,819	S	*	2/2011	Kong et al.	D26/71
D634,875	S	*	3/2011	Jiang et al.	D26/71

* cited by examiner

Primary Examiner — Clare E Heflin

(74) *Attorney, Agent, or Firm* — Rosenberg, Klein & Lee

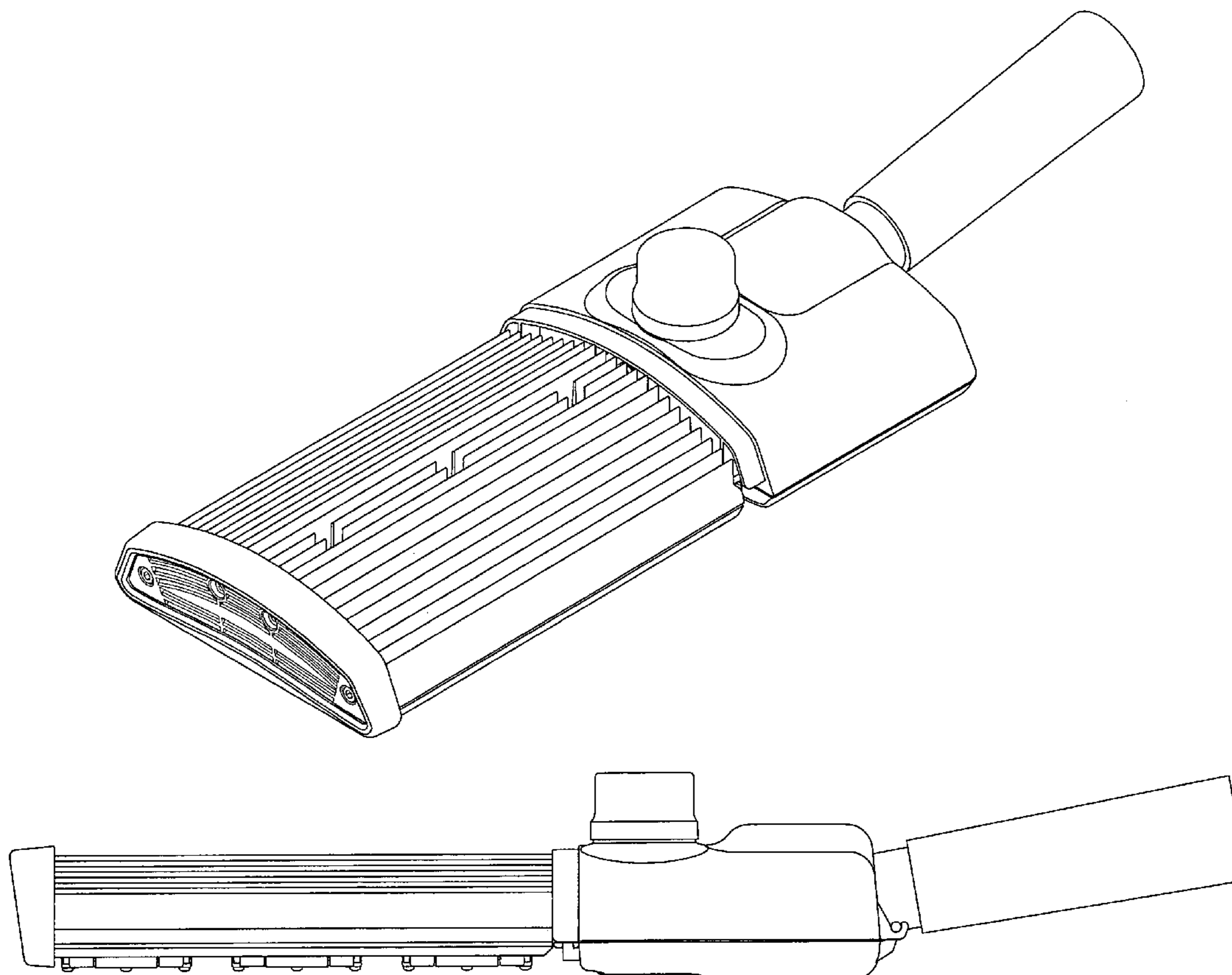
(57) **CLAIM**

The ornamental design for a LED street lamp, as shown and described.

DESCRIPTION

FIG. 1 is a perspective view of the LED street lamp; FIG. 2 is a front view of the LED street lamp; FIG. 3 is a back view of the LED street lamp; FIG. 4 is a left side view of the LED street lamp; FIG. 5 is a right side view of the LED street lamp; FIG. 6 is a top plan view of the LED street lamp; and, FIG. 7 is a bottom plan view of the LED street lamp.

1 Claim, 7 Drawing Sheets



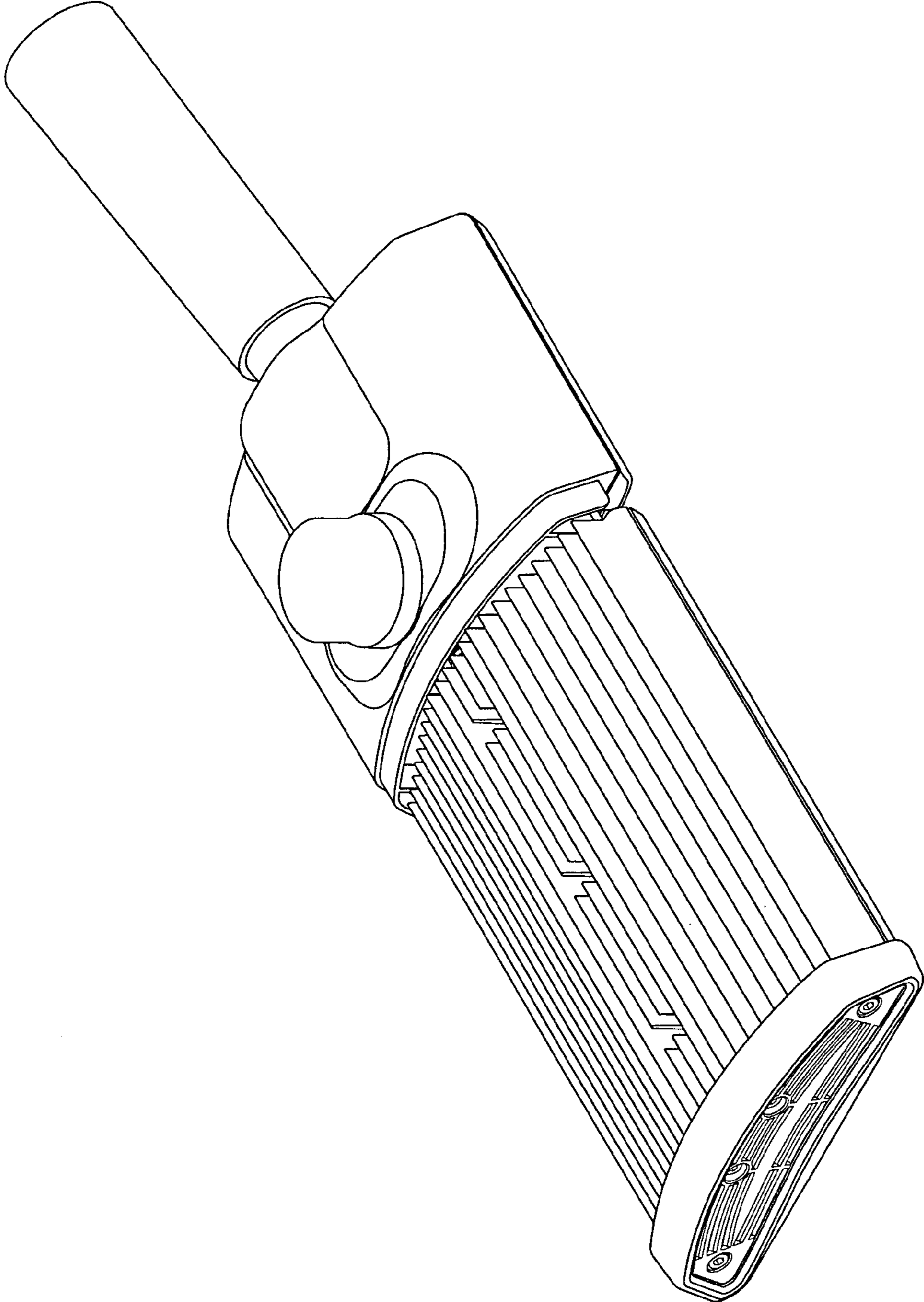


FIG.1

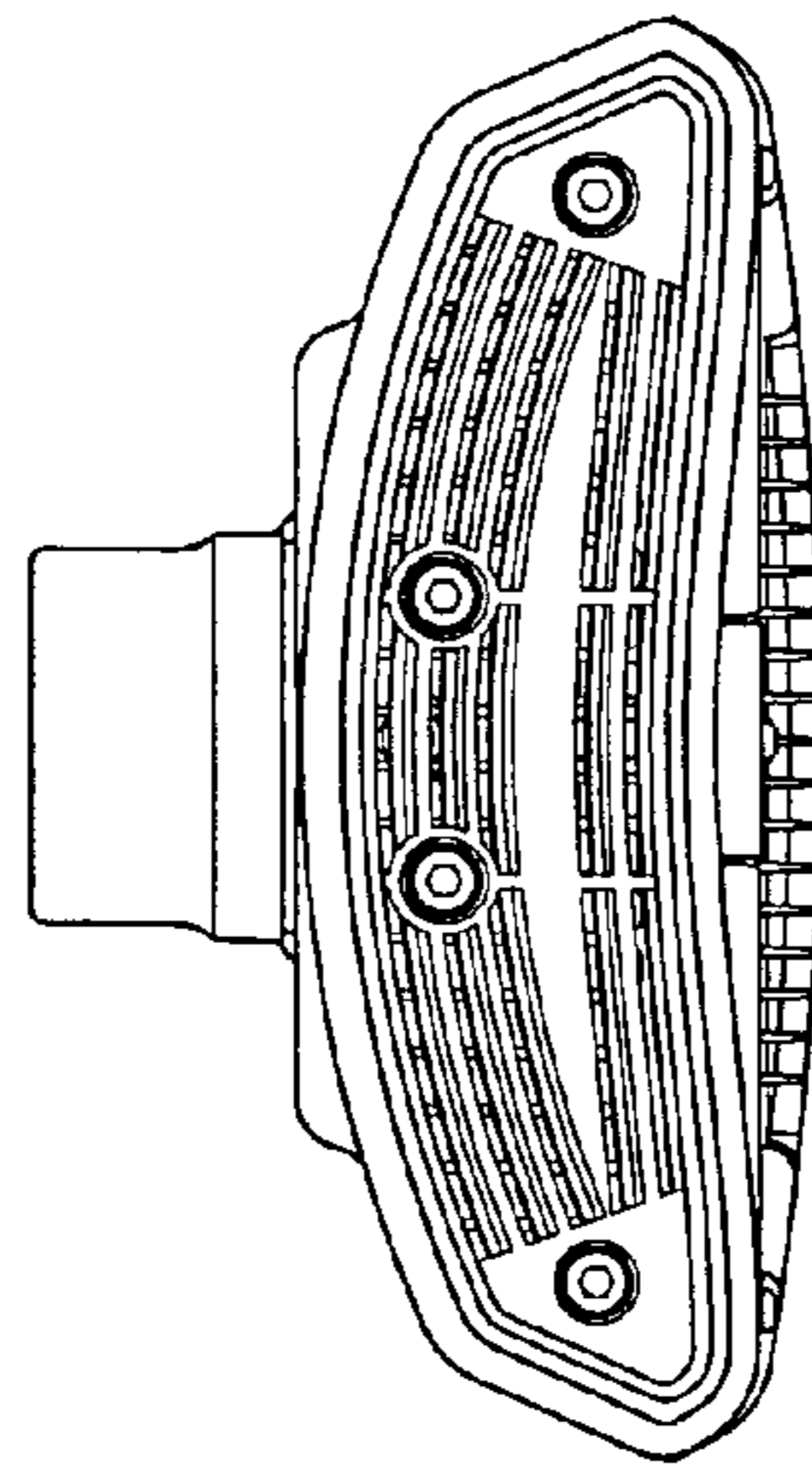


FIG.2

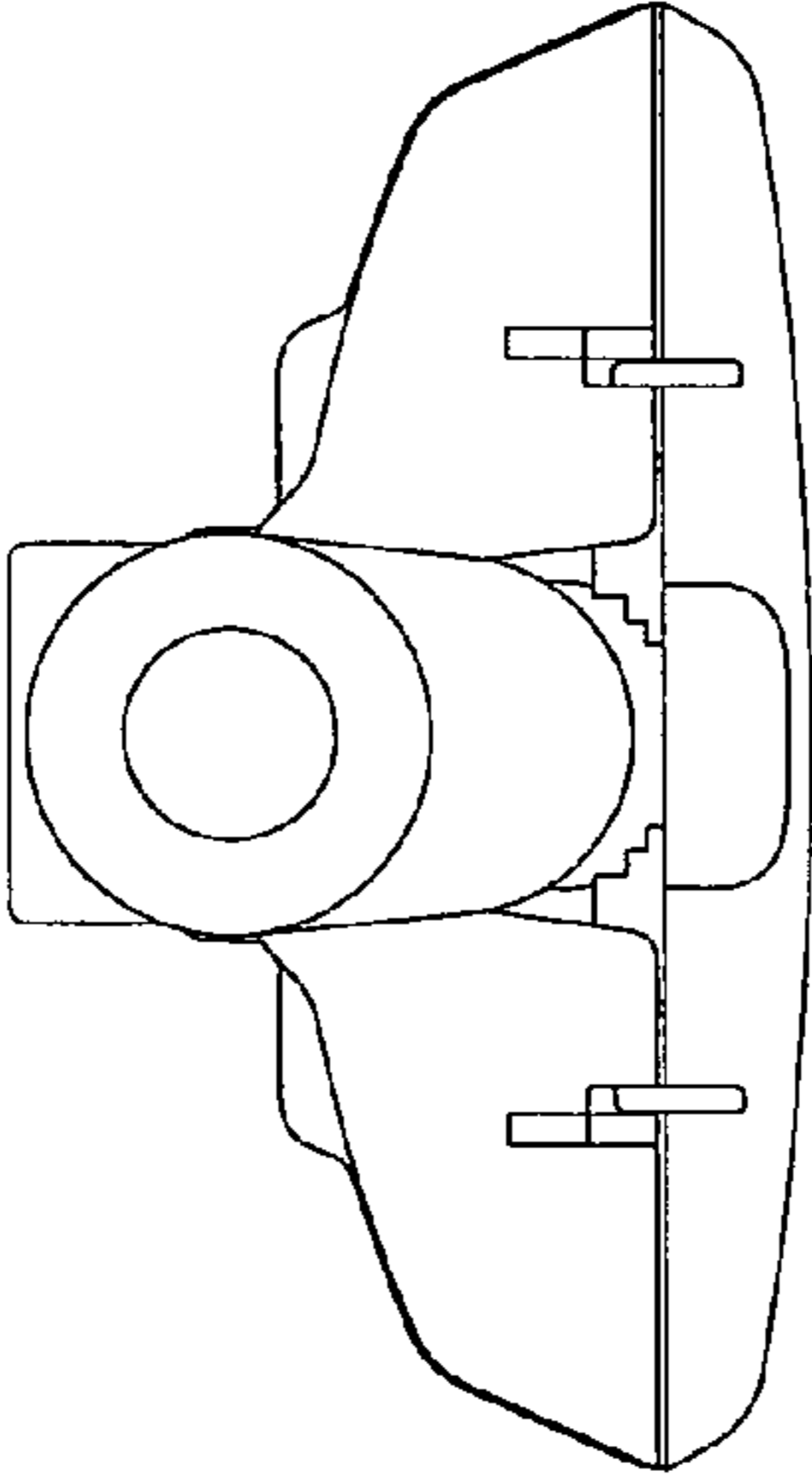


FIG.3

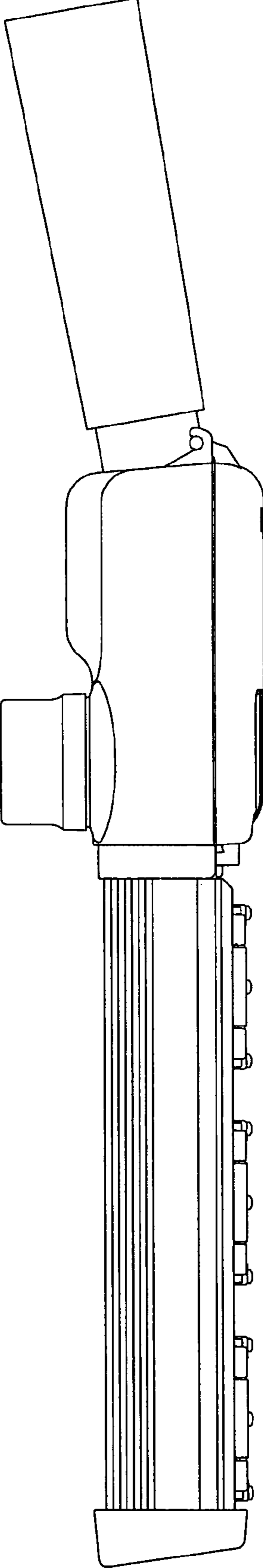


FIG.4

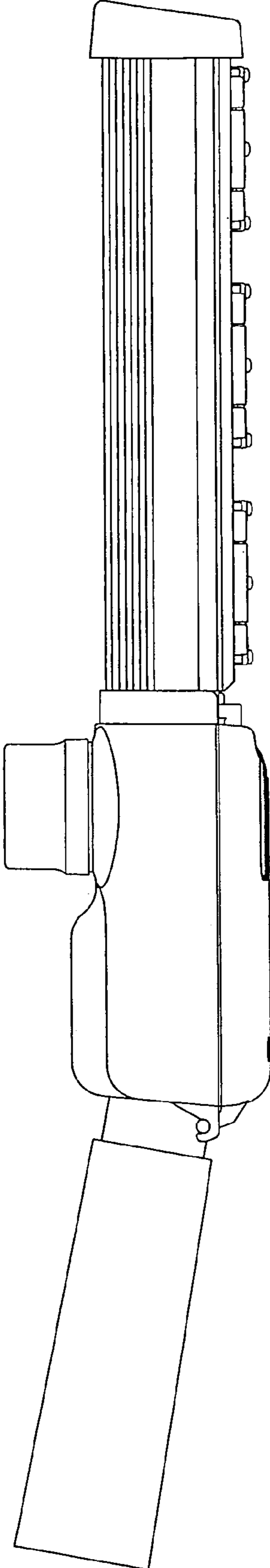


FIG.5

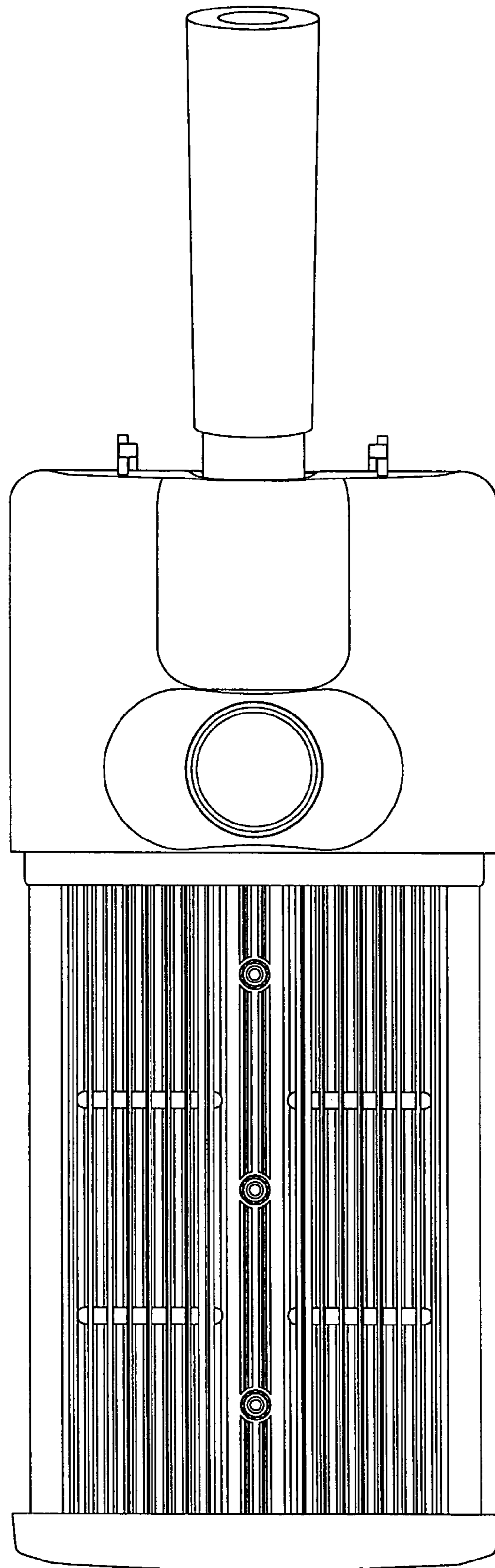


FIG.6

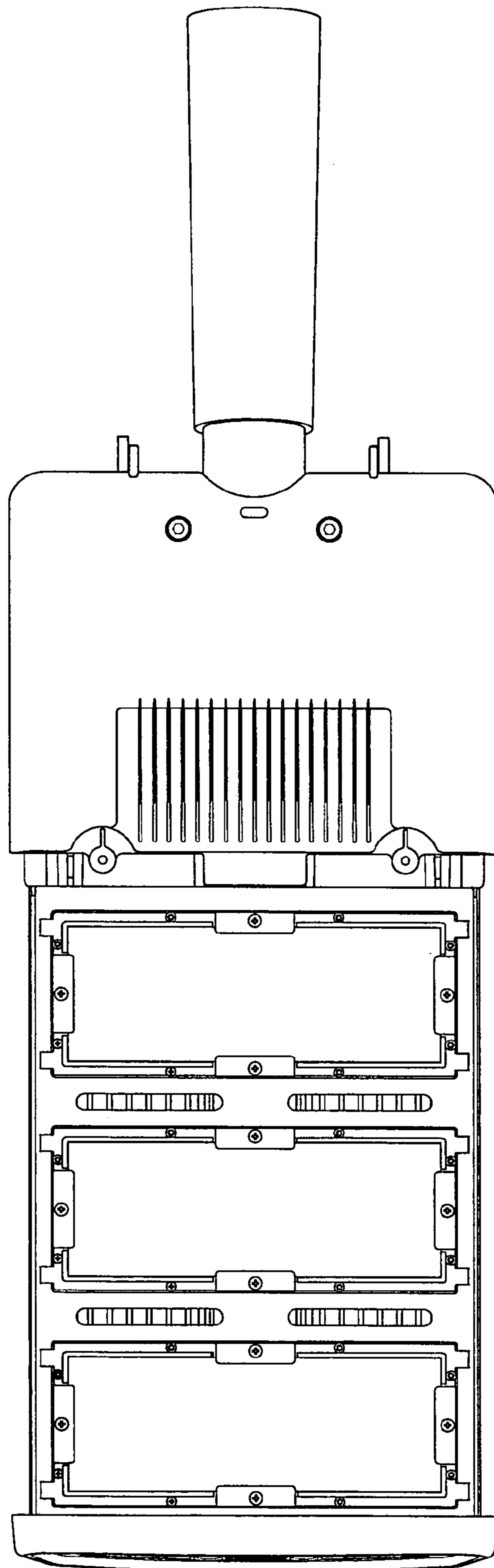


FIG.7