



US00D648471S

(12) **United States Design Patent**
Wauters

(10) **Patent No.:** **US D648,471 S**
(45) **Date of Patent:** **** Nov. 8, 2011**

(54) **LUMINAIRE**

(75) Inventor: **Tom Wauters**, Mortsel (BE)

(73) Assignee: **Koninklijke Philips Electronics N.V.**,
Eindhoven (NL)

(**) Term: **14 Years**

(21) Appl. No.: **29/363,298**

(22) Filed: **Jun. 8, 2010**

(30) **Foreign Application Priority Data**

Dec. 8, 2009 (EM) 001644790-0002

(51) **LOC (9) Cl.** **26-05**

(52) **U.S. Cl.** **D26/63**

(58) **Field of Classification Search** D26/60-66,
D26/72, 74, 85, 88, 89; 362/145, 147, 148,
362/150, 267, 269, 270, 271, 274, 277, 278,
362/280, 282, 285, 287, 288, 362, 363-366,
362/372, 404, 406, 408, 418, 421, 427, 430,
362/640, 647, 648, 652, 653

See application file for complete search history.

(56) **References Cited**

U.S. PATENT DOCUMENTS

4,317,163	A *	2/1982	Bout	362/362
D417,027	S *	11/1999	Cece	D26/74
D437,074	S *	1/2001	Johnson	D26/74
D437,077	S *	1/2001	Minissi et al.	D26/85
D544,128	S *	6/2007	Carro	D26/74
7,306,359	B2 *	12/2007	Harwood	362/648
D564,120	S *	3/2008	Layne et al.	D26/63
D568,517	S *	5/2008	Redfern et al.	D26/63
D617,031	S *	6/2010	Redfern et al.	D26/85

* cited by examiner

Primary Examiner — Susan M Lee

Assistant Examiner — Linda G. Brooks

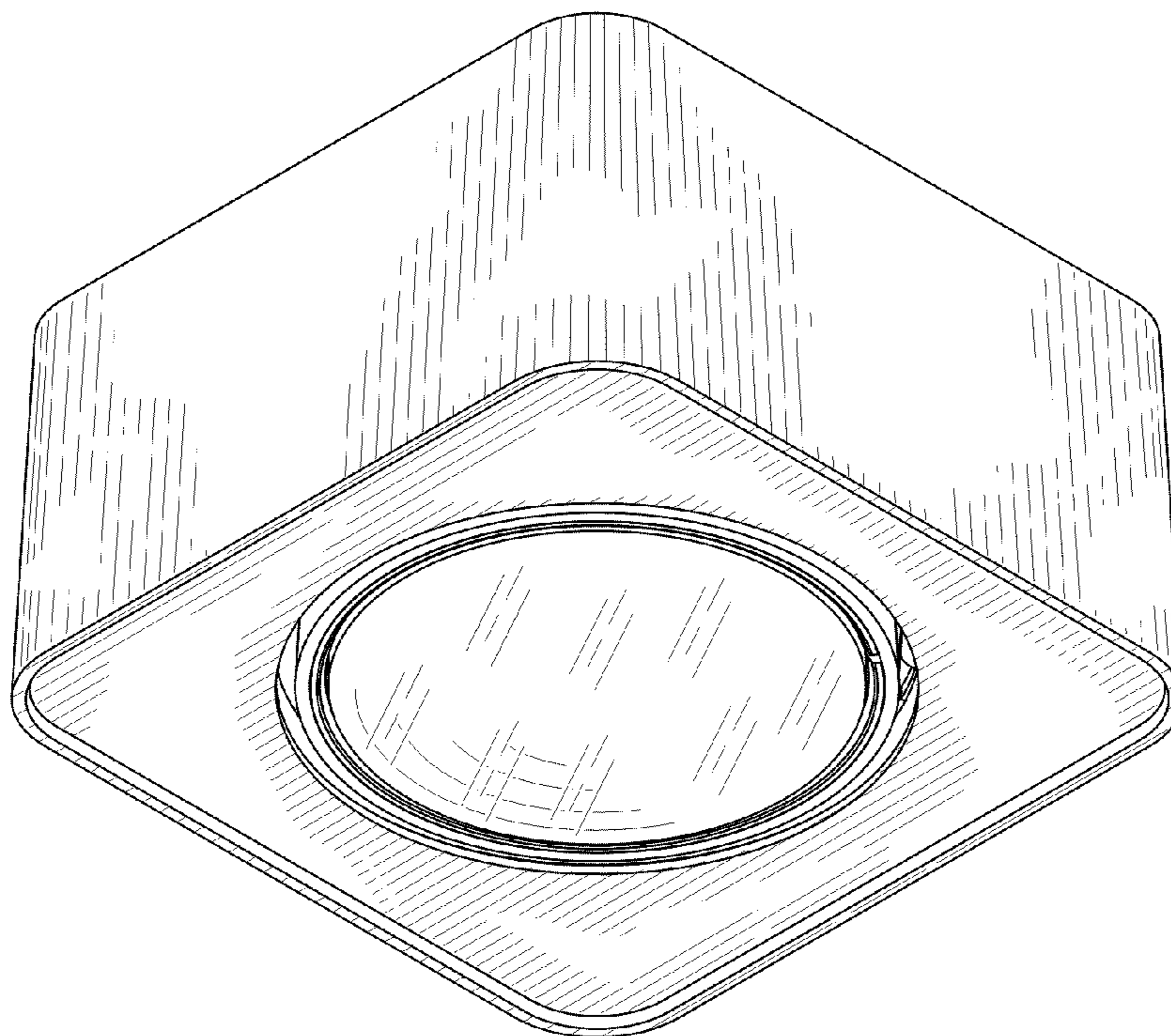
(57) **CLAIM**

The ornamental design for a luminaire, as shown.

DESCRIPTION

FIG. 1 is a perspective view showing my design;
FIG. 2 is a front elevational view thereof;
FIG. 3 is a rear elevational view thereof;
FIG. 4 is a right side elevational view thereof;
FIG. 5 is a left side elevational view thereof;
FIG. 6 is a top plan view thereof; and,
FIG. 7 is a bottom plan view thereof.
All broken lines in the drawings form no part of the claimed design.

1 Claim, 5 Drawing Sheets



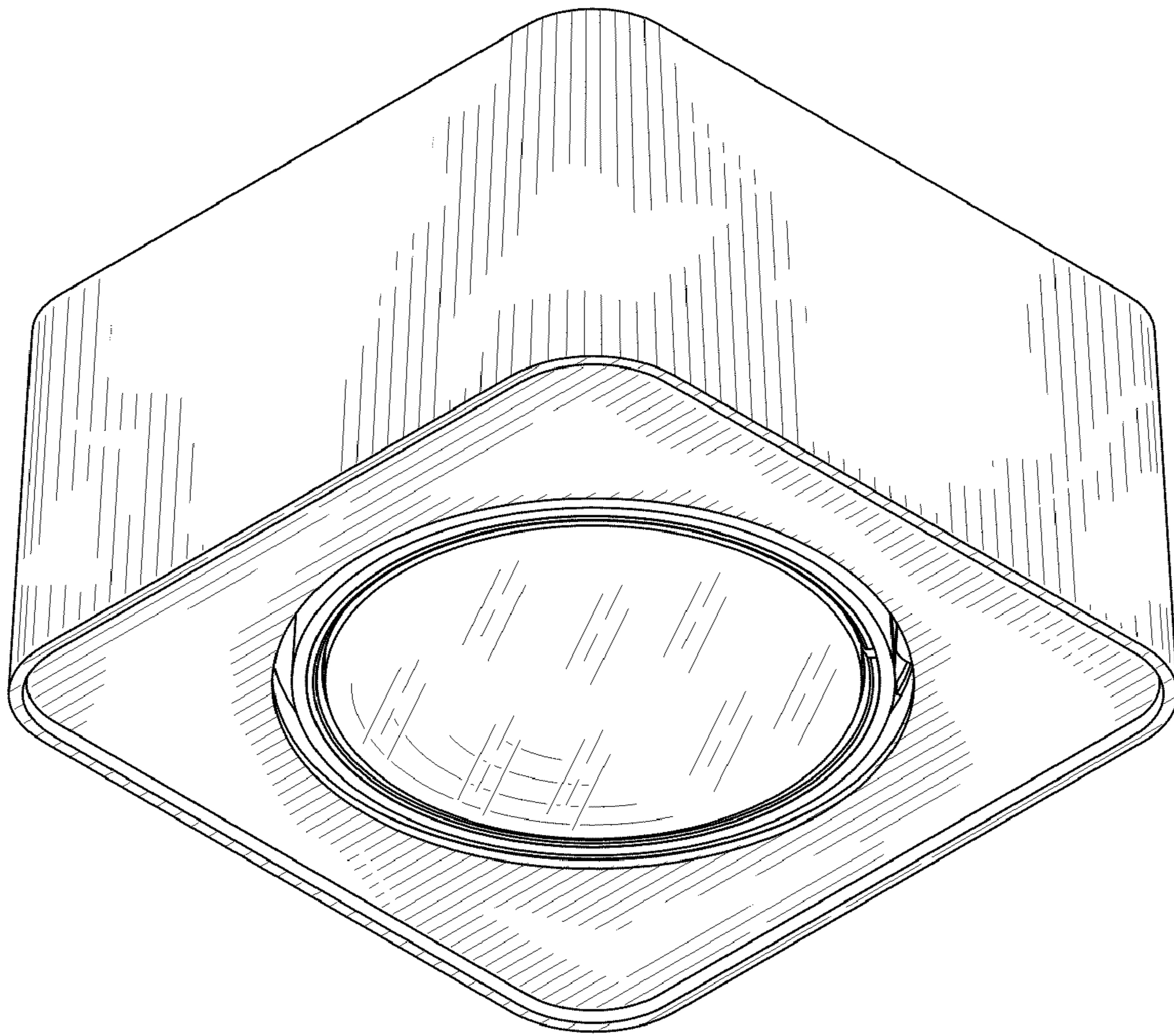


FIG.1

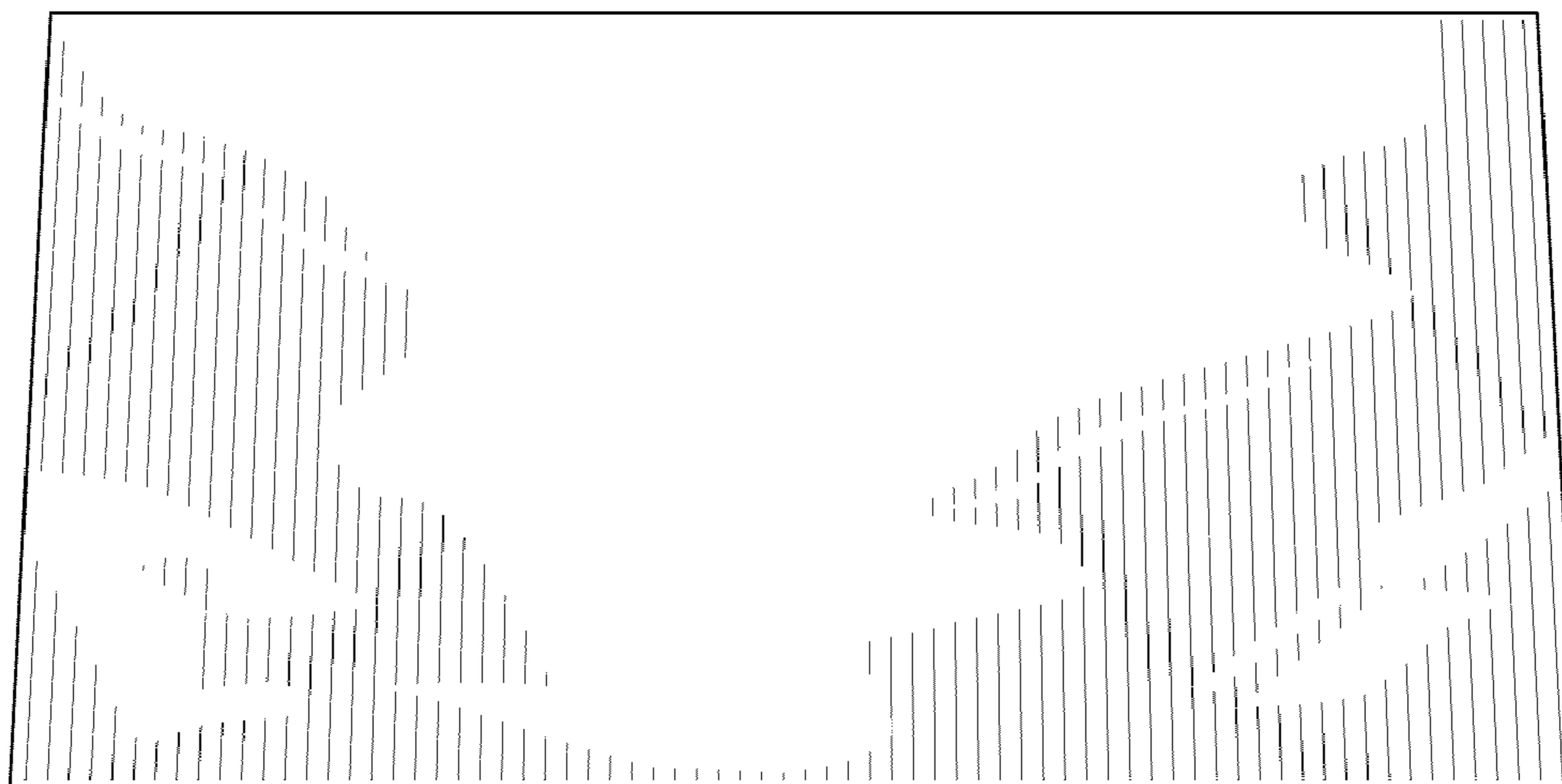


FIG. 2

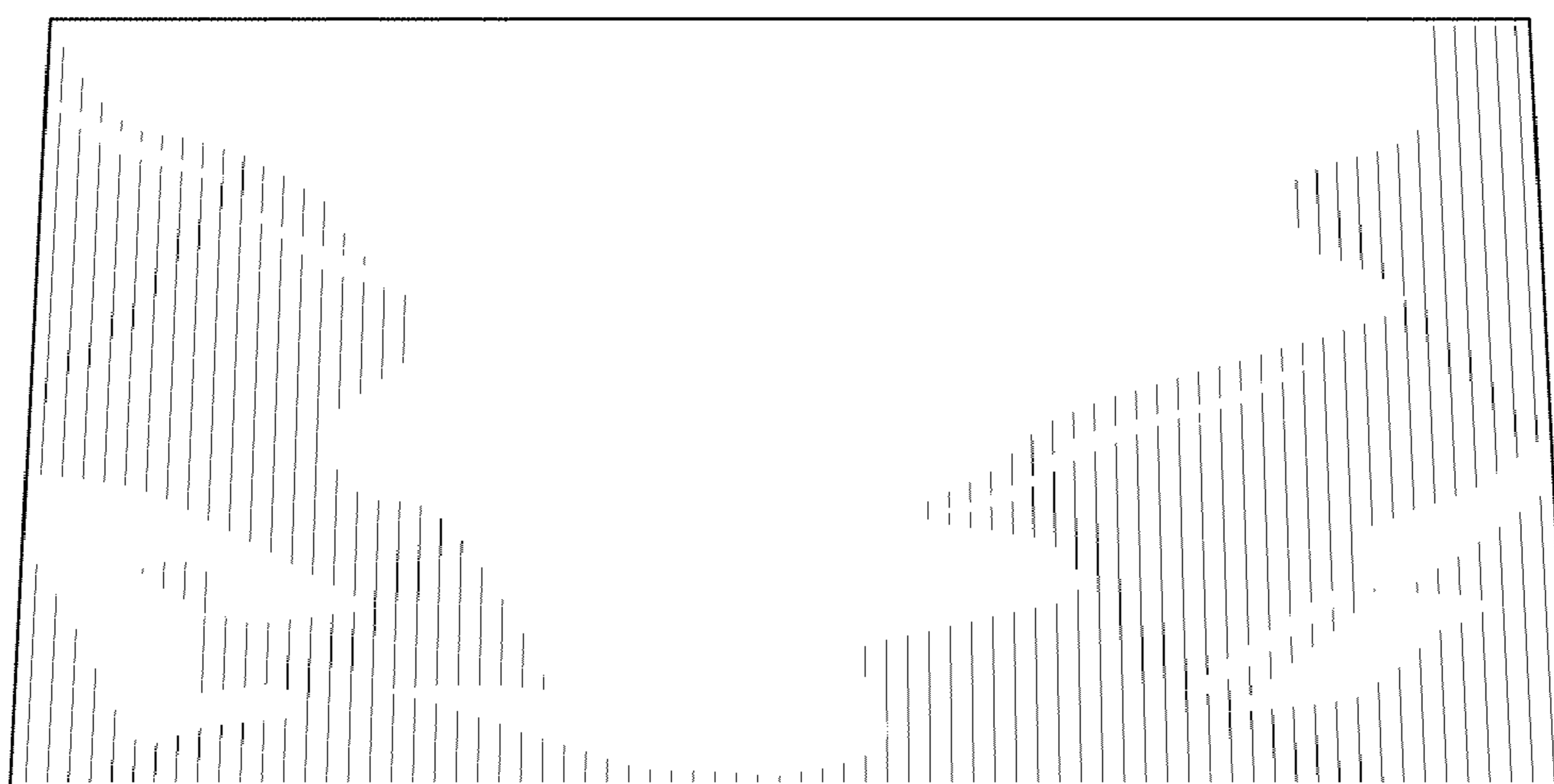


FIG. 3

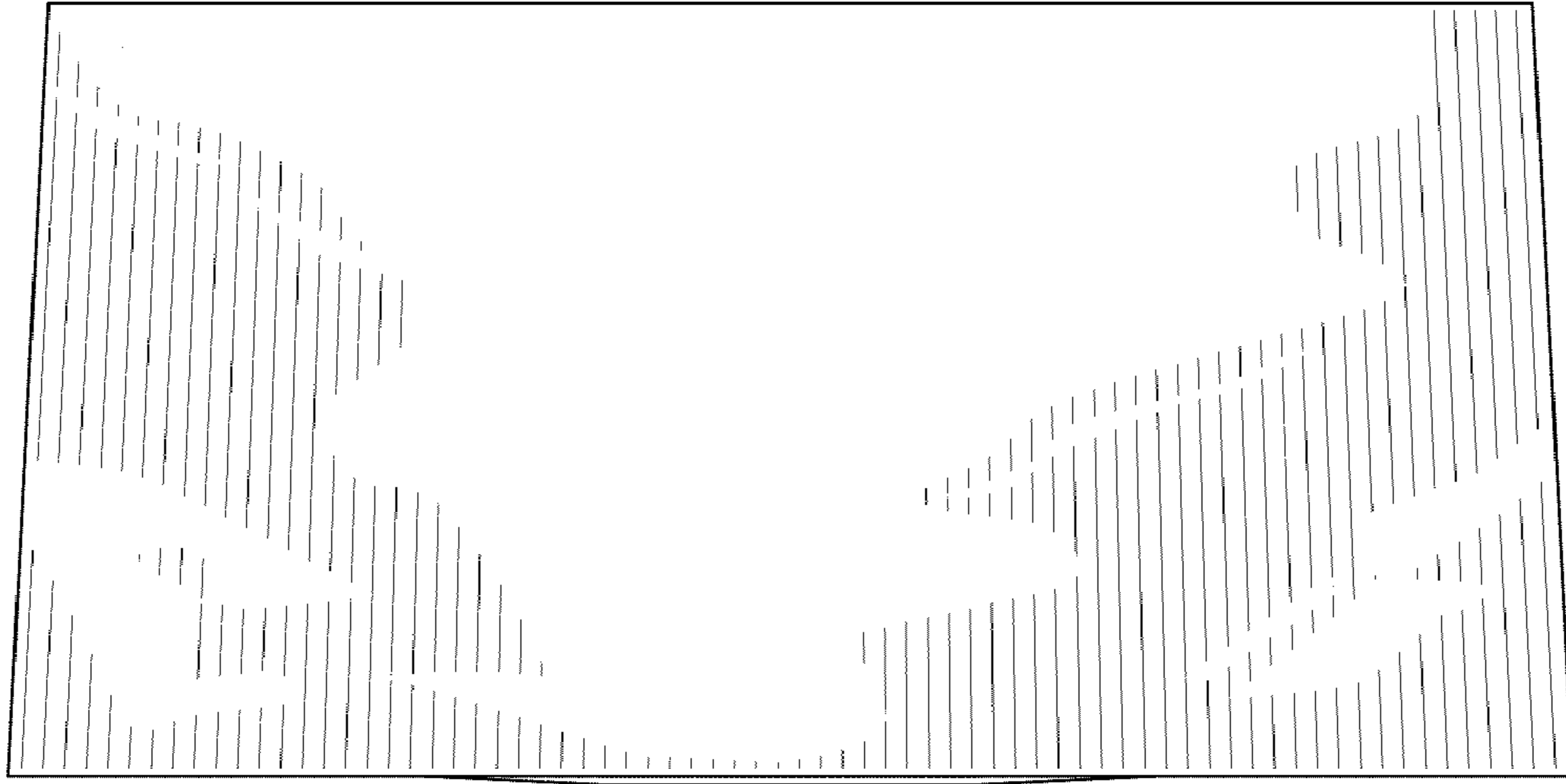


FIG. 4

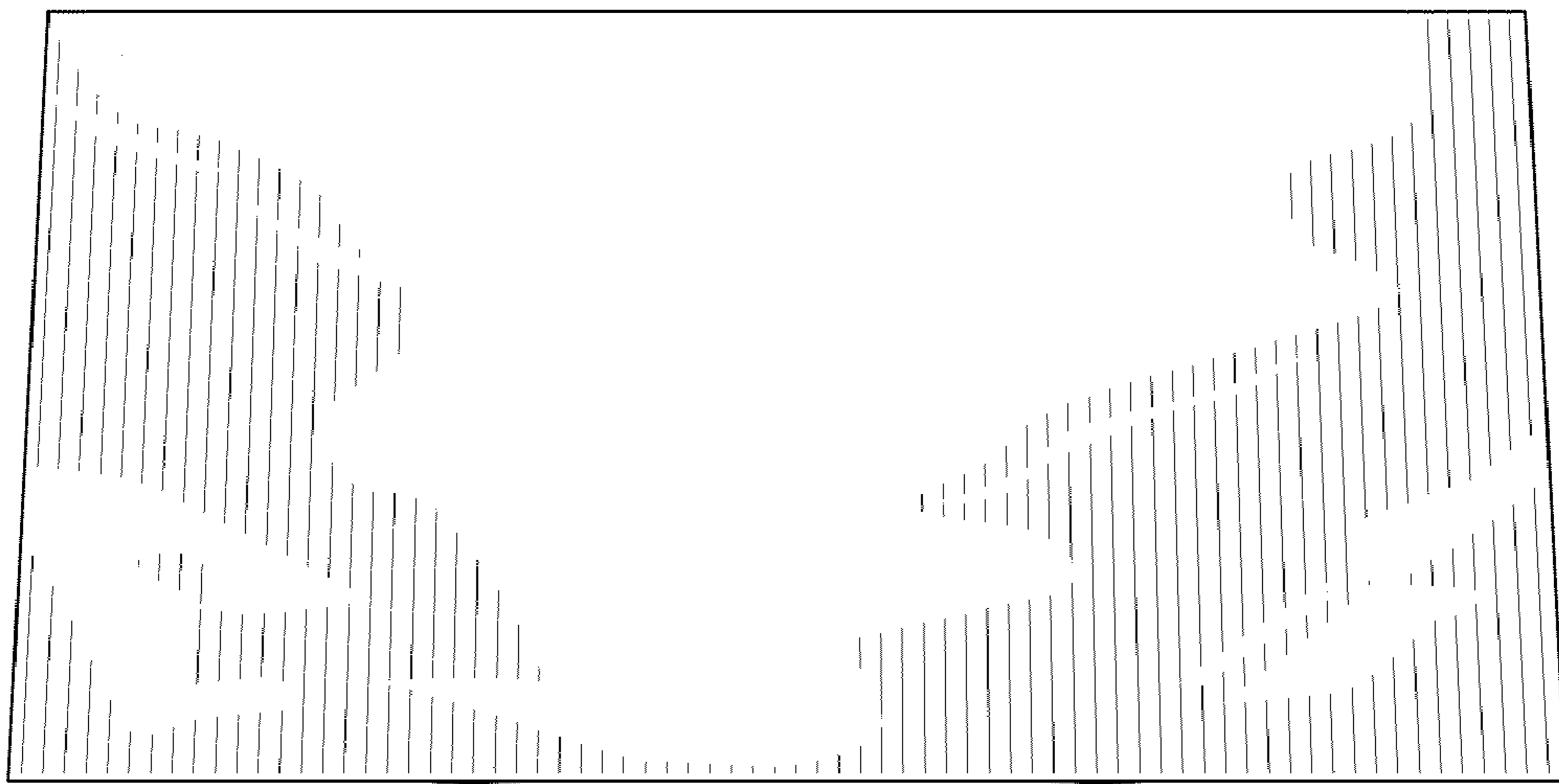


FIG. 5



FIG.6

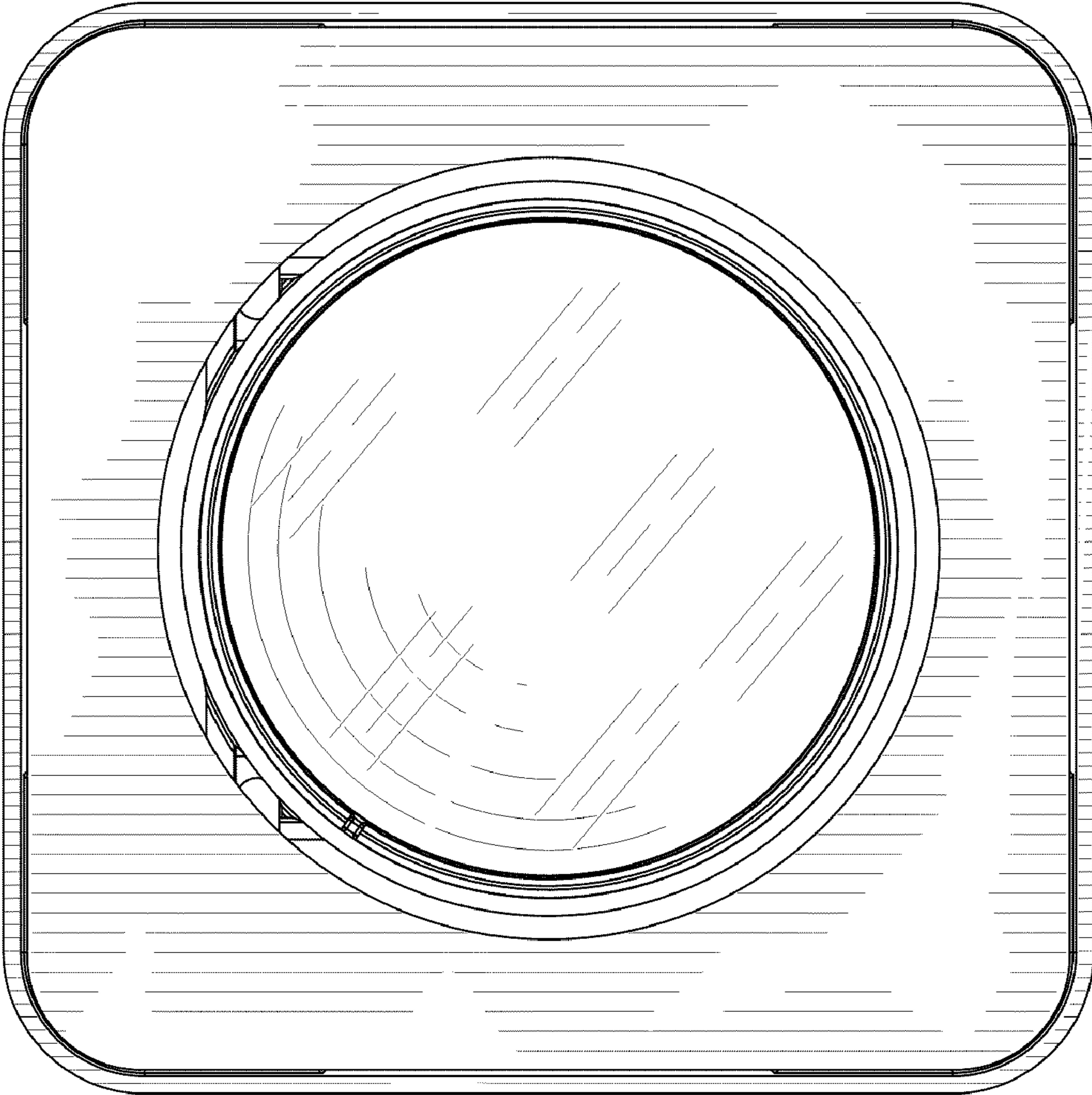


FIG.7