



US00D648470S

(12) **United States Design Patent**
Rains

(10) **Patent No.:** **US D648,470 S**

(45) **Date of Patent:** **** Nov. 8, 2011**

(54) **LIGHT POD**

(75) Inventor: **Russell E. Rains**, Austin, TX (US)

(73) Assignee: **Light Muse, LLC**, Austin, TX (US)

(**) Term: **14 Years**

(21) Appl. No.: **29/380,181**

(22) Filed: **Dec. 1, 2010**

(51) **LOC (9) Cl.** **26-05**

(52) **U.S. Cl.** **D26/60**

(58) **Field of Classification Search** D26/60-66,
D26/51, 24, 93, 104, 106, 108, 109; 362/96,
362/192, 253, 145, 362, 368, 806, 157, 186,
362/188, 190, 640, 645, 647, 277, 282, 285,
362/800; 239/289; D23/271, 283

See application file for complete search history.

(56) **References Cited**

U.S. PATENT DOCUMENTS

D234,968	S	*	4/1975	Ervin	D26/67
D411,322	S	*	6/1999	Suzuki	D26/37
6,637,676	B2	*	10/2003	Zieger et al.	239/548
7,178,746	B2	*	2/2007	Gross	239/552
D567,994	S	*	4/2008	Chan et al.	D26/104
D577,458	S	*	9/2008	Chan et al.	D26/104
D577,846	S	*	9/2008	LaBuzetta	D26/60

D586,935	S	*	2/2009	Lassen	D26/72
D625,879	S	*	10/2010	Sabernig	D26/93
7,841,732	B2	*	11/2010	Coushaine et al.	362/96

* cited by examiner

Primary Examiner — Susan M Lee

Assistant Examiner — Linda G. Brooks

(74) *Attorney, Agent, or Firm* — Meyertons, Hood, Kivlin,
Kowert & Goetzel, P.C.; Eric B. Meyertons

(57) **CLAIM**

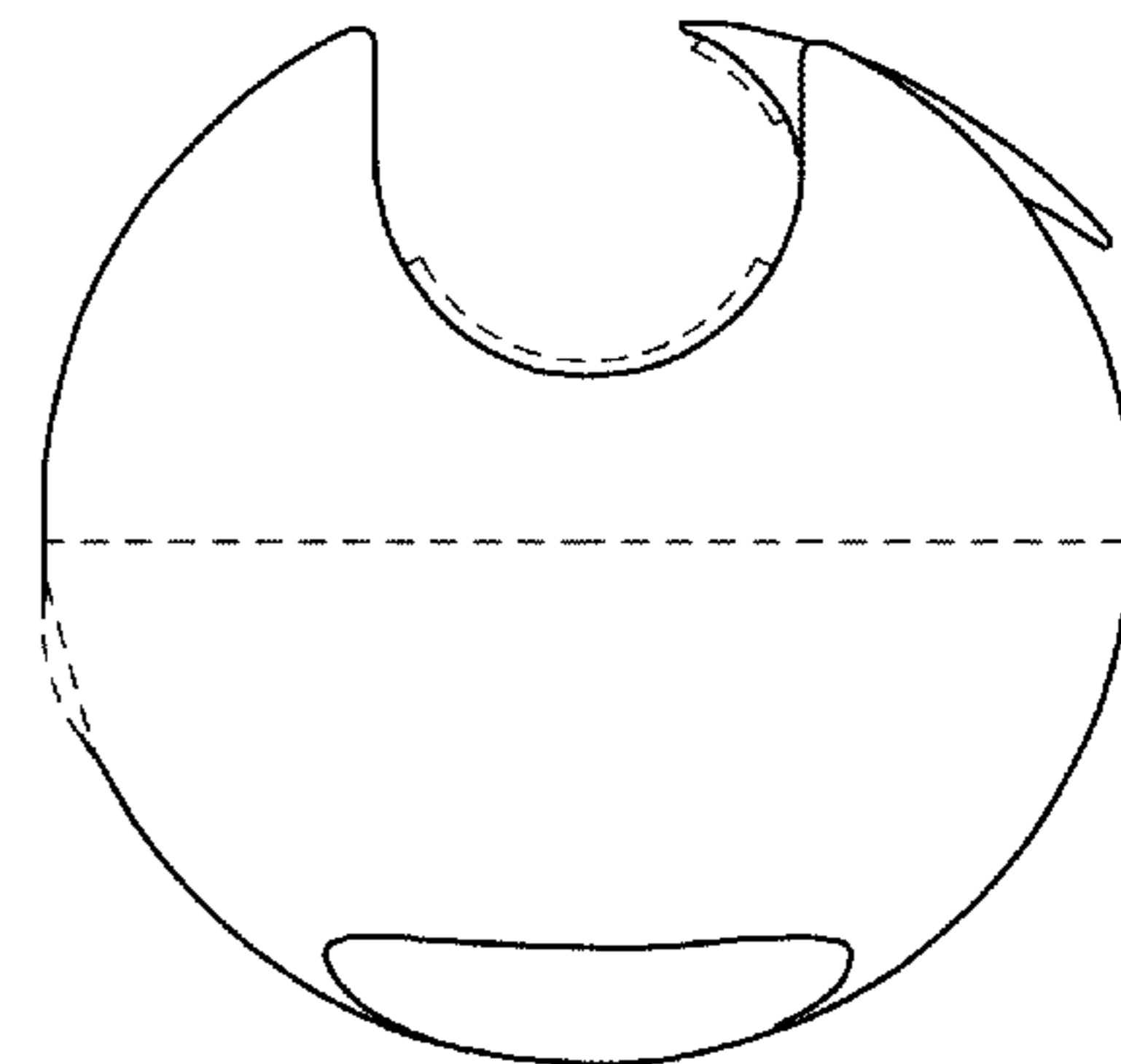
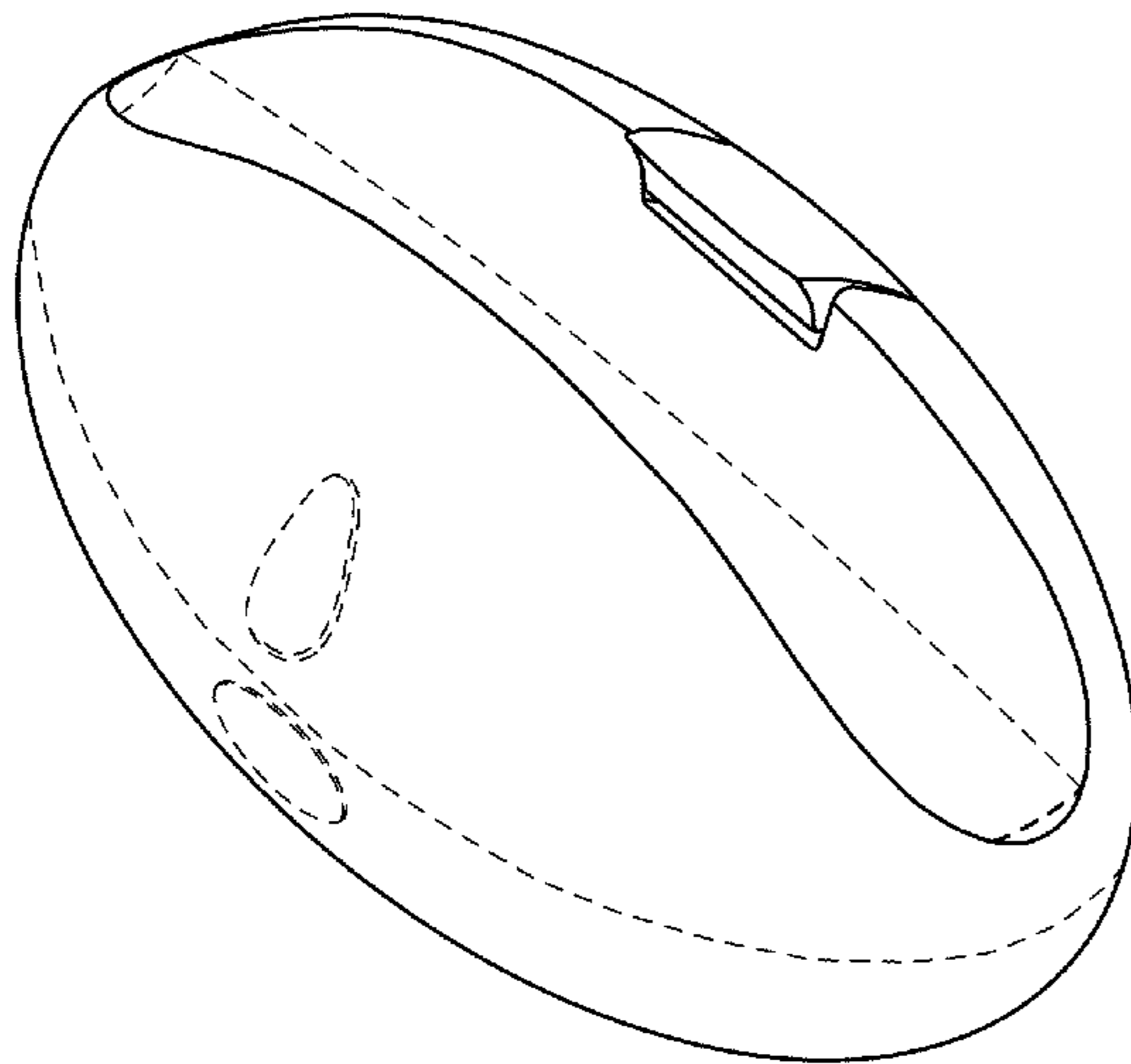
The ornamental design for the light pod, as shown and described.

DESCRIPTION

- FIG. 1 is a top/front-perspective view of the light pod.
- FIG. 2 is a top/rear-perspective view of the light pod.
- FIG. 3 is a bottom/front perspective view of the light pod.
- FIG. 4 is a front view of the light pod.
- FIG. 5 is a rear view of the light pod.
- FIG. 6 is a bottom view of the light pod.
- FIG. 7 is a top view of the light pod.
- FIG. 8 is a right-side view of the light pod; and,
- FIG. 9 is a left-side view of the light pod.

In these drawings, the solid lines illustrate the claimed ornamental design, whereas the broken lines illustrate environmental features that form no part of the claimed ornamental design.

1 Claim, 5 Drawing Sheets



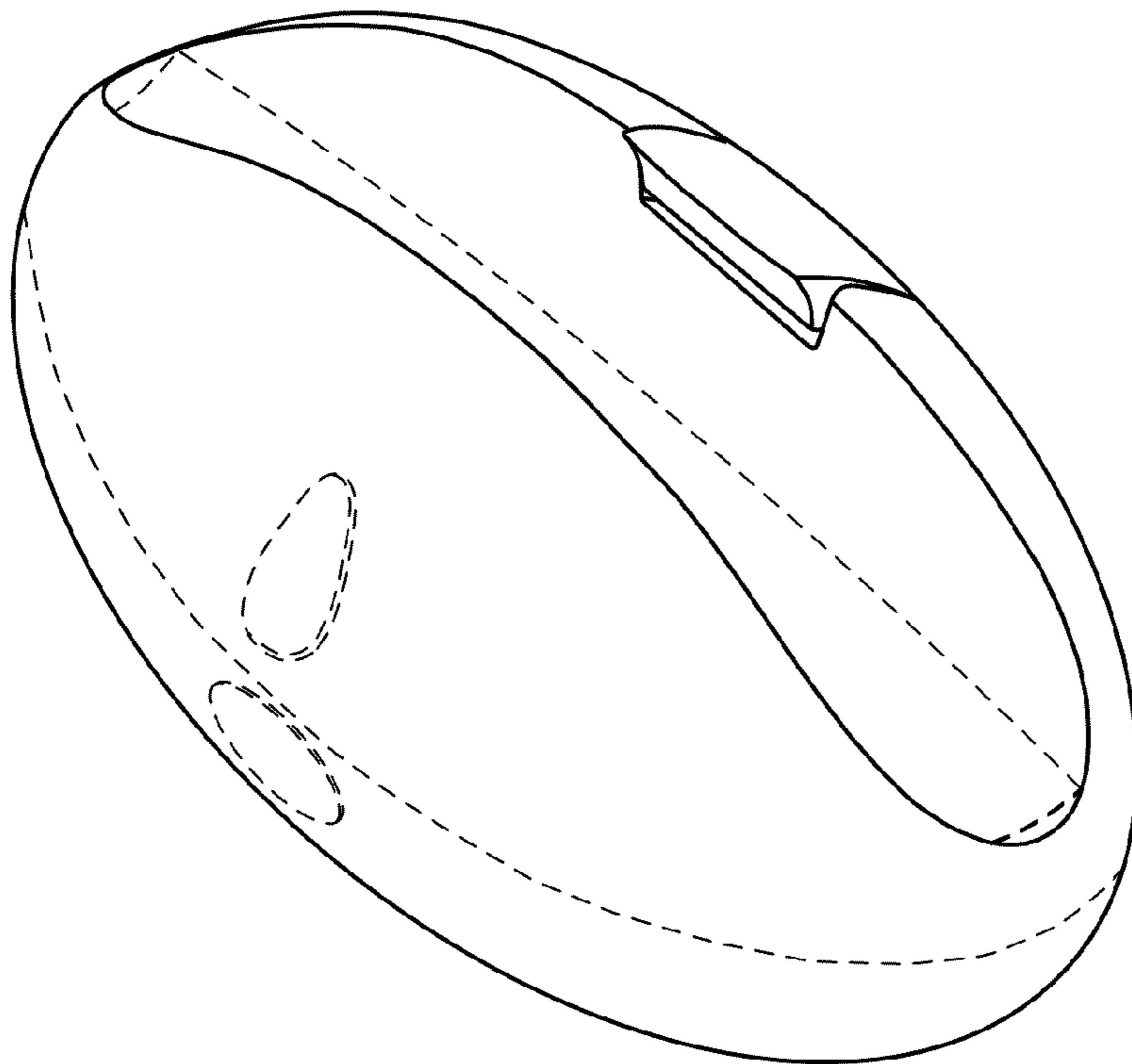


FIG. 1

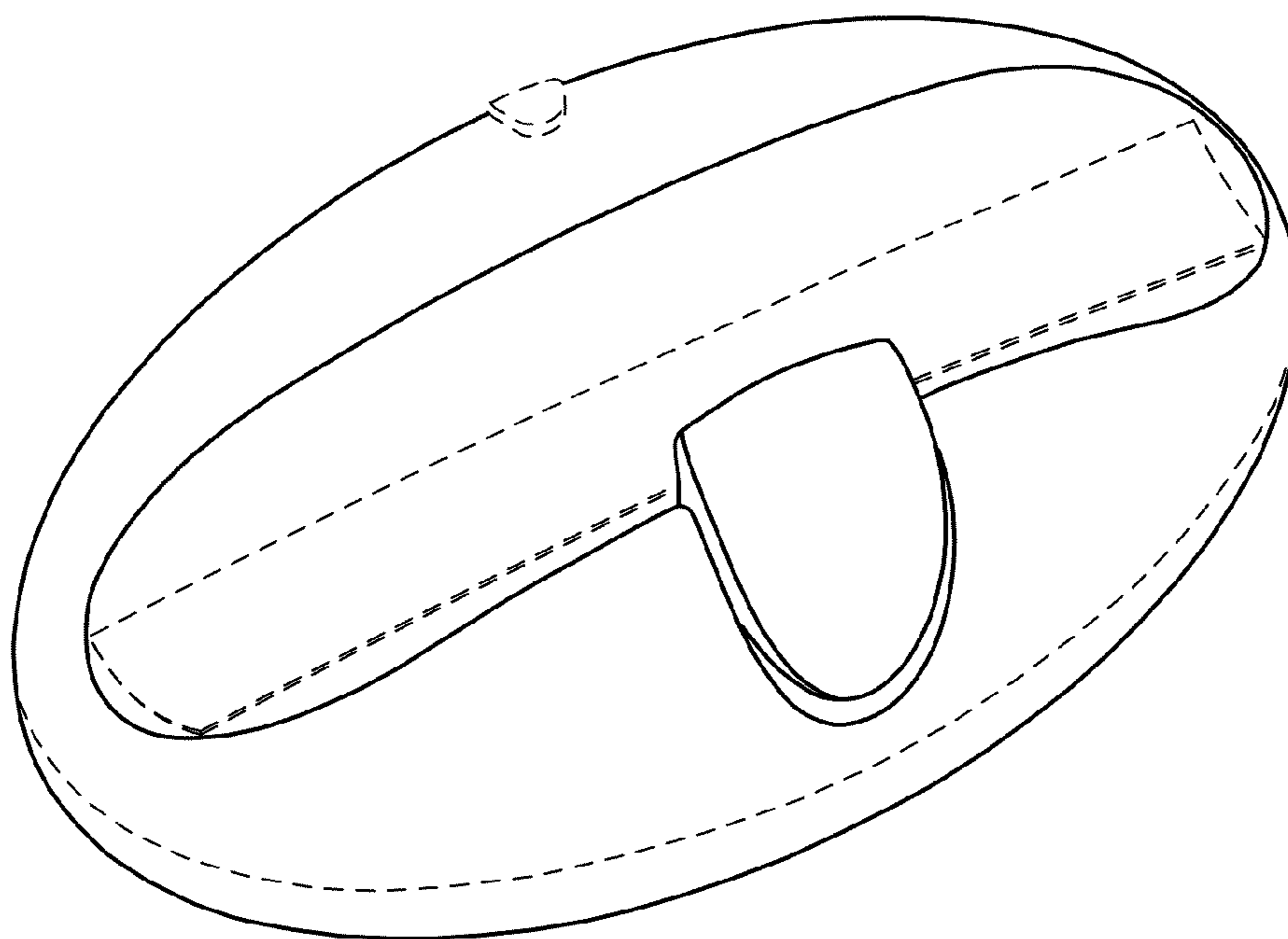


FIG. 2

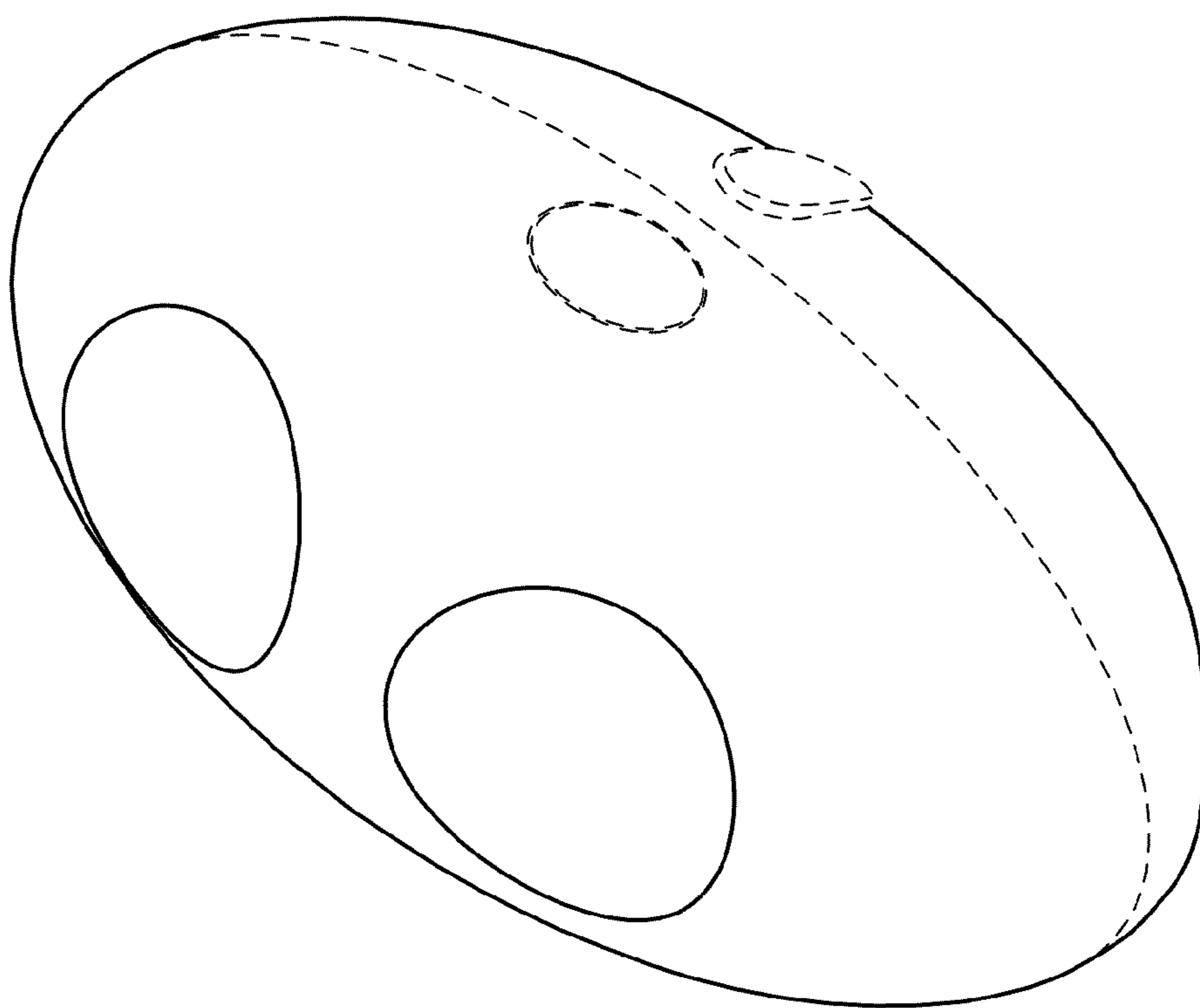


FIG. 3

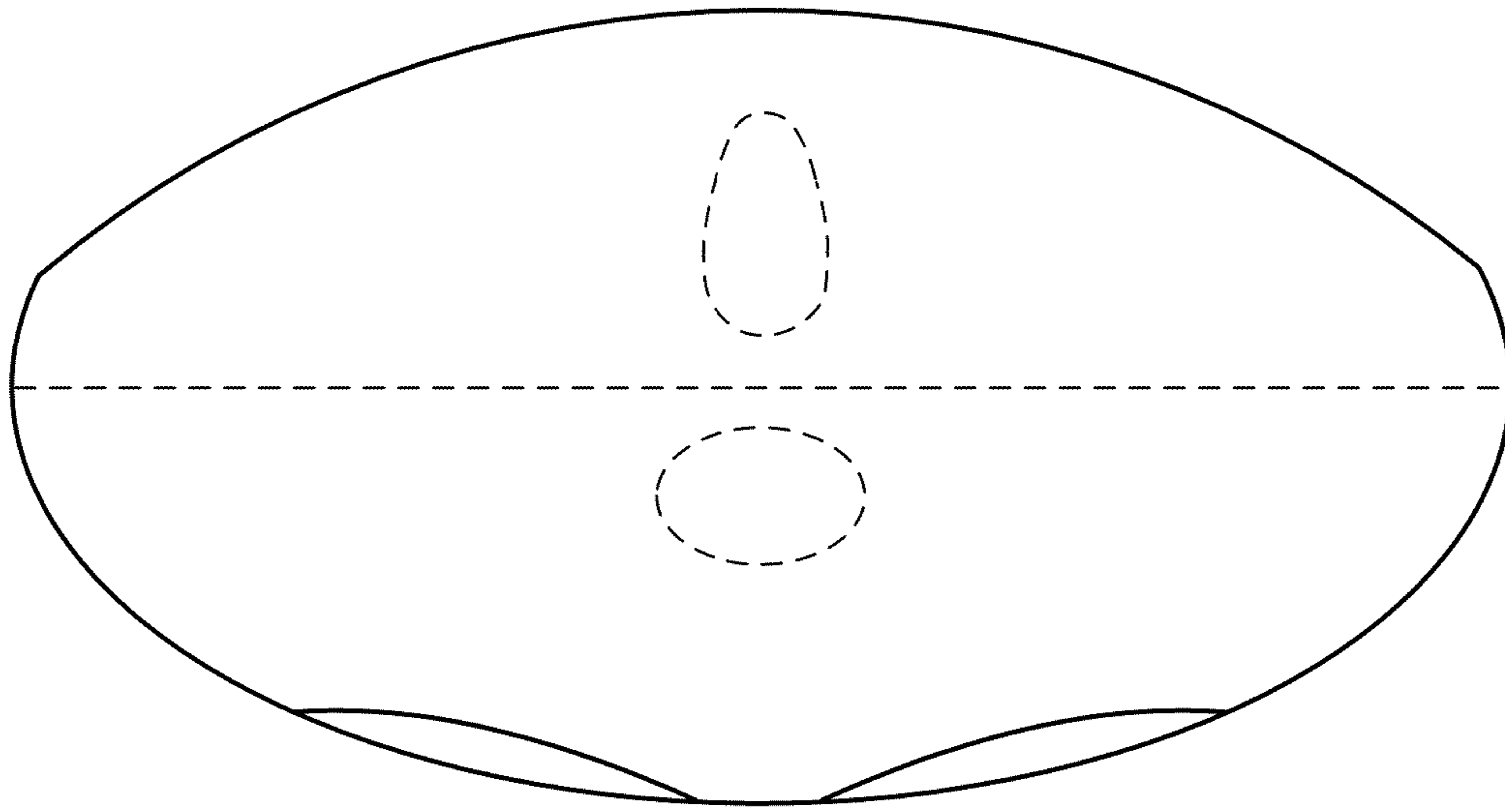


FIG. 4

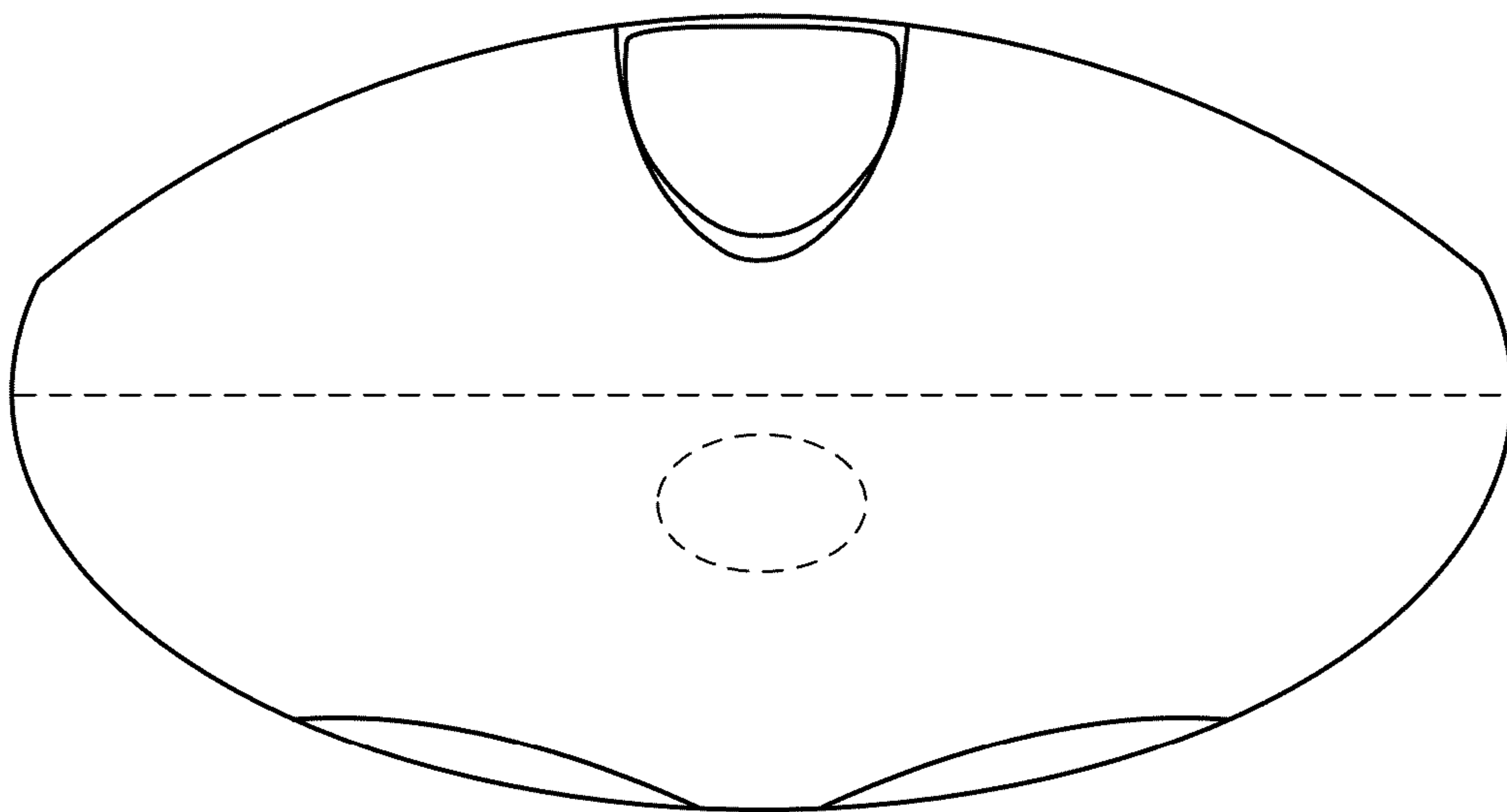


FIG. 5

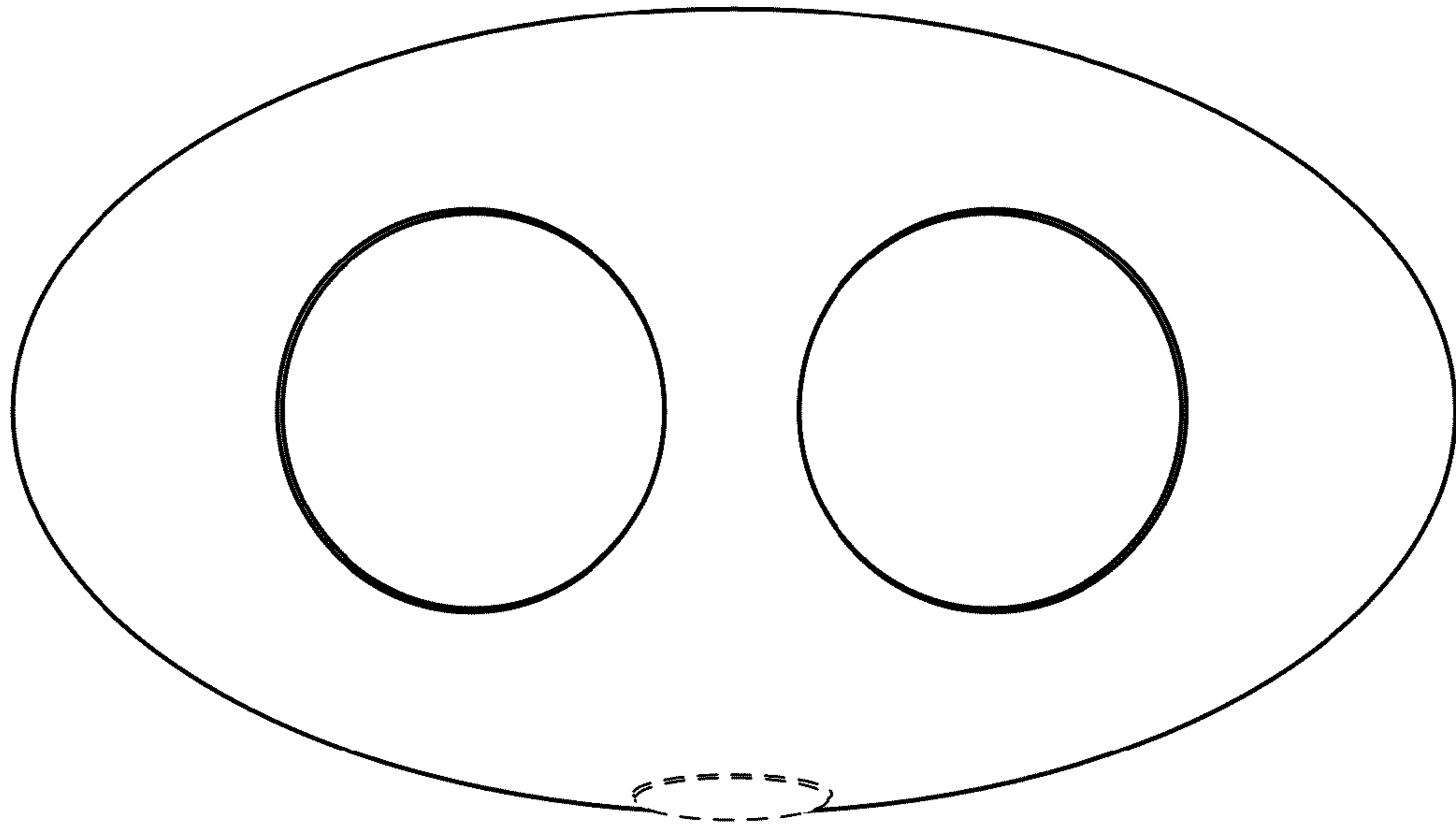


FIG. 6

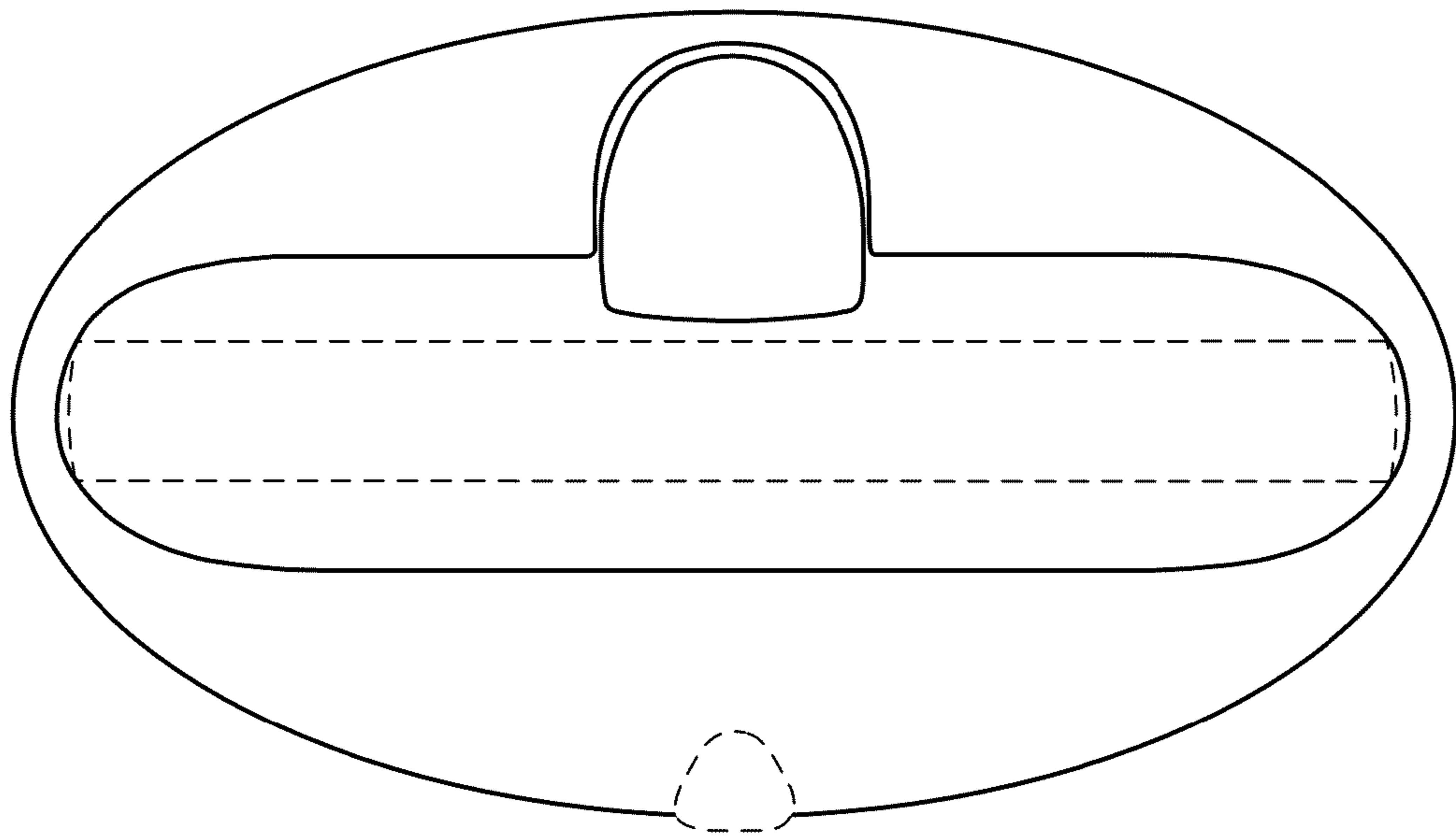


FIG. 7

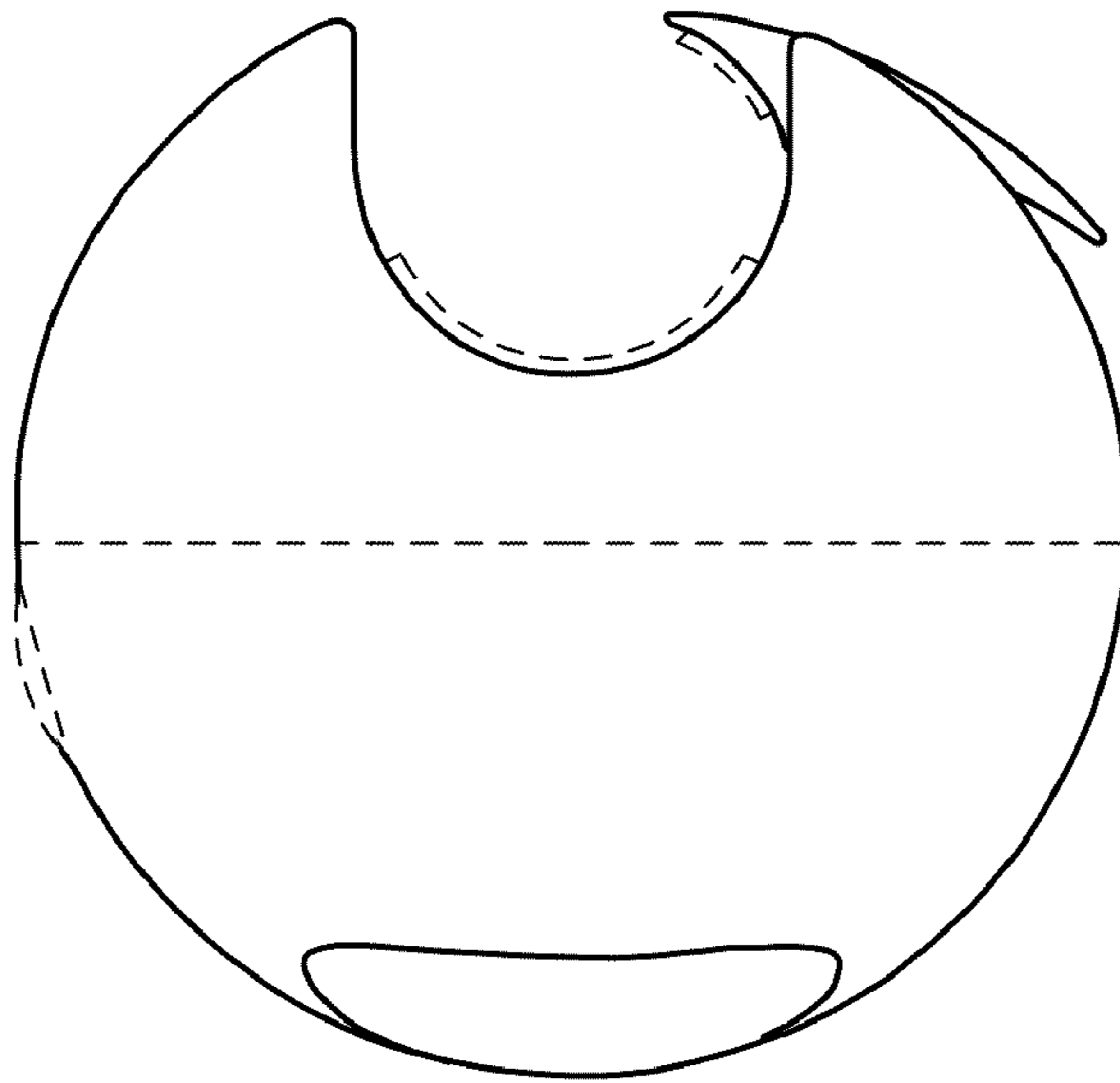


FIG. 8

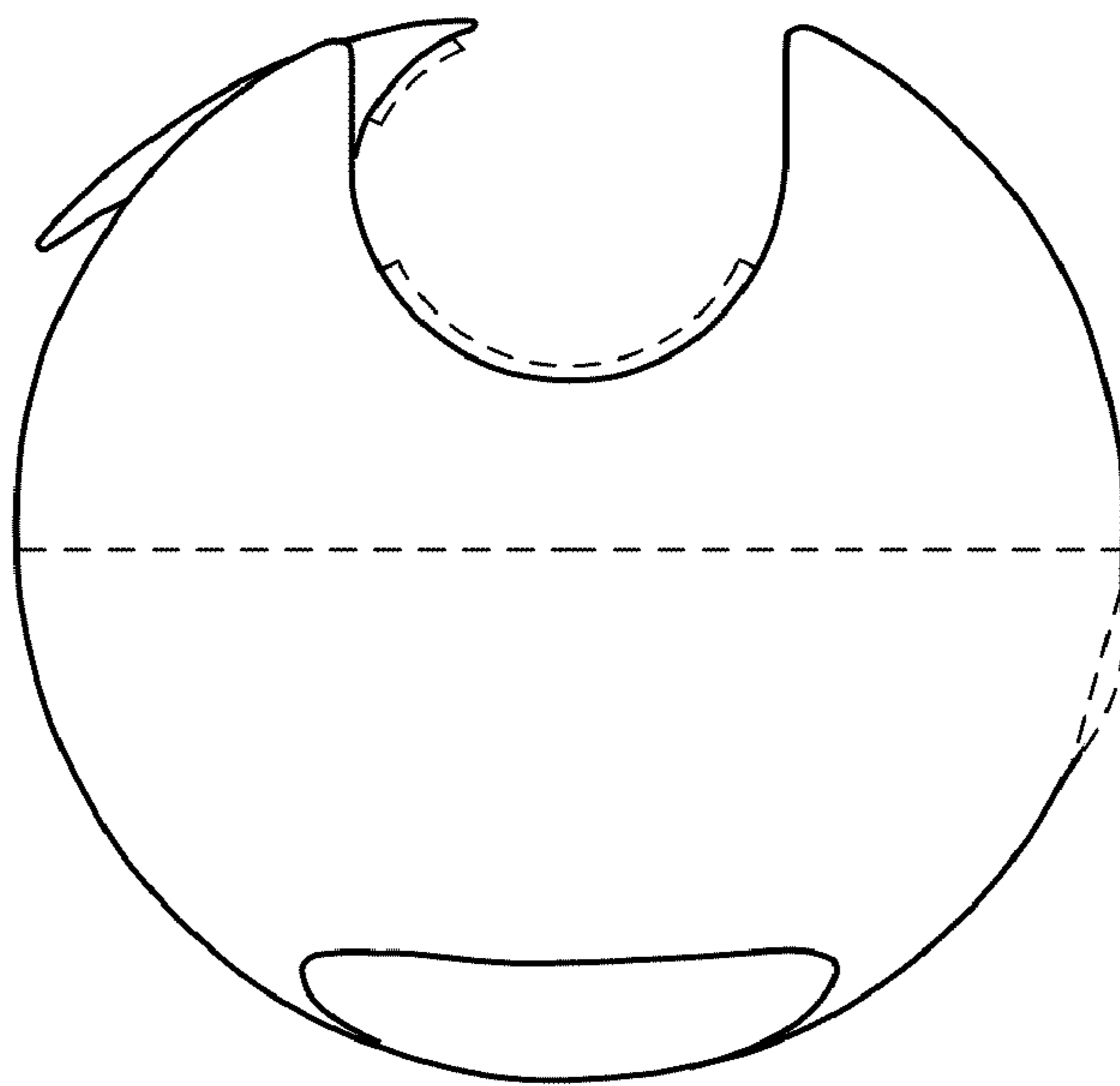


FIG. 9