



US00D648469S

(12) **United States Design Patent**  
**Martineau**

(10) **Patent No.:** **US D648,469 S**  
(45) **Date of Patent:** **\*\* Nov. 8, 2011**

(54) **COMBINATION EXIT SIGN AND  
EMERGENCY LIGHTING FIXTURE  
ASSEMBLY**

(75) Inventor: **Patrick Martineau, Ile-Perot (CA)**

(73) Assignee: **Thomas & Betts International, Inc.,  
Wilmington, DE (US)**

(\*\*) Term: **14 Years**

(21) Appl. No.: **29/361,257**

(22) Filed: **May 7, 2010**

**Related U.S. Application Data**

(63) Continuation of application No. 11/384,949, filed on  
Mar. 20, 2006, now abandoned.

(51) **LOC (9) Cl.** ..... **26-05**

(52) **U.S. Cl.** ..... **D26/51**

(58) **Field of Classification Search** ..... D26/24,  
D26/28, 34, 37, 38, 40, 51, 97, 132, 26, 85;  
D10/109; D20/10, 27, 40-42, 99; 40/204,  
40/205, 442, 444, 541-545, 549, 553, 563,  
40/564, 570, 572, 575, 578-581, 617, 624,  
40/885; 362/226, 311, 555, 612, 614, 812,  
362/253

See application file for complete search history.

(56) **References Cited**

**U.S. PATENT DOCUMENTS**

1,500,998	A	7/1924	Kuhn	
2,994,148	A	8/1961	Endelson	
5,151,679	A	9/1992	Dimmick	
5,526,236	A	6/1996	Burnes et al.	
D400,995	S *	11/1998	LaRosa et al.	D26/63
D406,279	S *	3/1999	LaRosa et al.	D20/42
5,950,340	A	9/1999	Woo	
5,954,423	A	9/1999	Logan et al.	

5,964,051	A	10/1999	Loeber et al.	
5,974,710	A	11/1999	Baldwin	
6,467,208	B1	10/2002	Patterson	
6,471,388	B1	10/2002	Marsh	
6,539,657	B1	4/2003	Qualls, Jr. et al.	
6,606,808	B2	8/2003	Katz	
D507,373	S *	7/2005	Kim	D26/80
7,114,840	B2 *	10/2006	Hamrick	362/613
7,182,487	B1 *	2/2007	Pickard et al.	362/368
D549,784	S *	8/2007	Bourgeois et al.	D20/42
D550,291	S *	9/2007	Bourgeois et al.	D20/42
D565,774	S *	4/2008	Martineau	D26/72
7,520,072	B2 *	4/2009	Yu	40/570
D623,237	S *	9/2010	Lee	D20/42
2006/0080873	A1	4/2006	Riopel et al.	
2006/0215403	A1 *	9/2006	Martineau	362/240
2006/0225328	A1	10/2006	Hasan	
2007/0014115	A1 *	1/2007	Katz et al.	362/382
2008/0276509	A1 *	11/2008	Yu	40/570

\* cited by examiner

*Primary Examiner* — Ian Simmons

*Assistant Examiner* — Carissa C Fitts

(74) *Attorney, Agent, or Firm* — Hoffmann & Baron, LLP

(57) **CLAIM**

The ornamental design for a combination exit sign and emergency lighting fixture assembly, as shown and described.

**DESCRIPTION**

FIG. 1 is a side perspective view of the combination exit sign and emergency lighting fixture assembly showing my new design;

FIG. 2 is a front side view thereof;

FIG. 3 is an end view thereof;

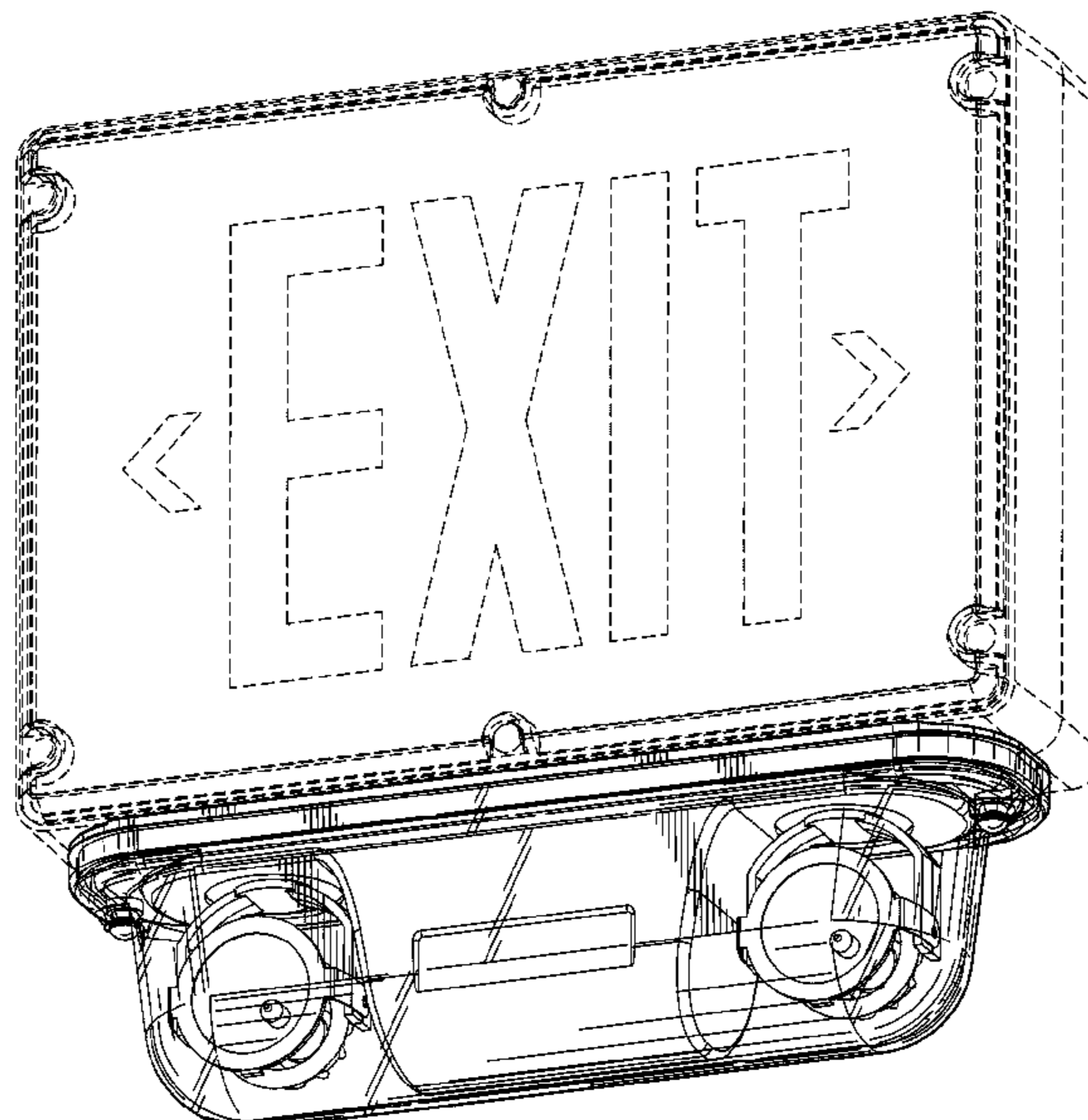
FIG. 4 is a back side view thereof;

FIG. 5 is a top view thereof; and,

FIG. 6 is a bottom view thereof.

The broken line portions of the figures show unclaimed subject matter only and form no part of the claimed design.

**1 Claim, 4 Drawing Sheets**



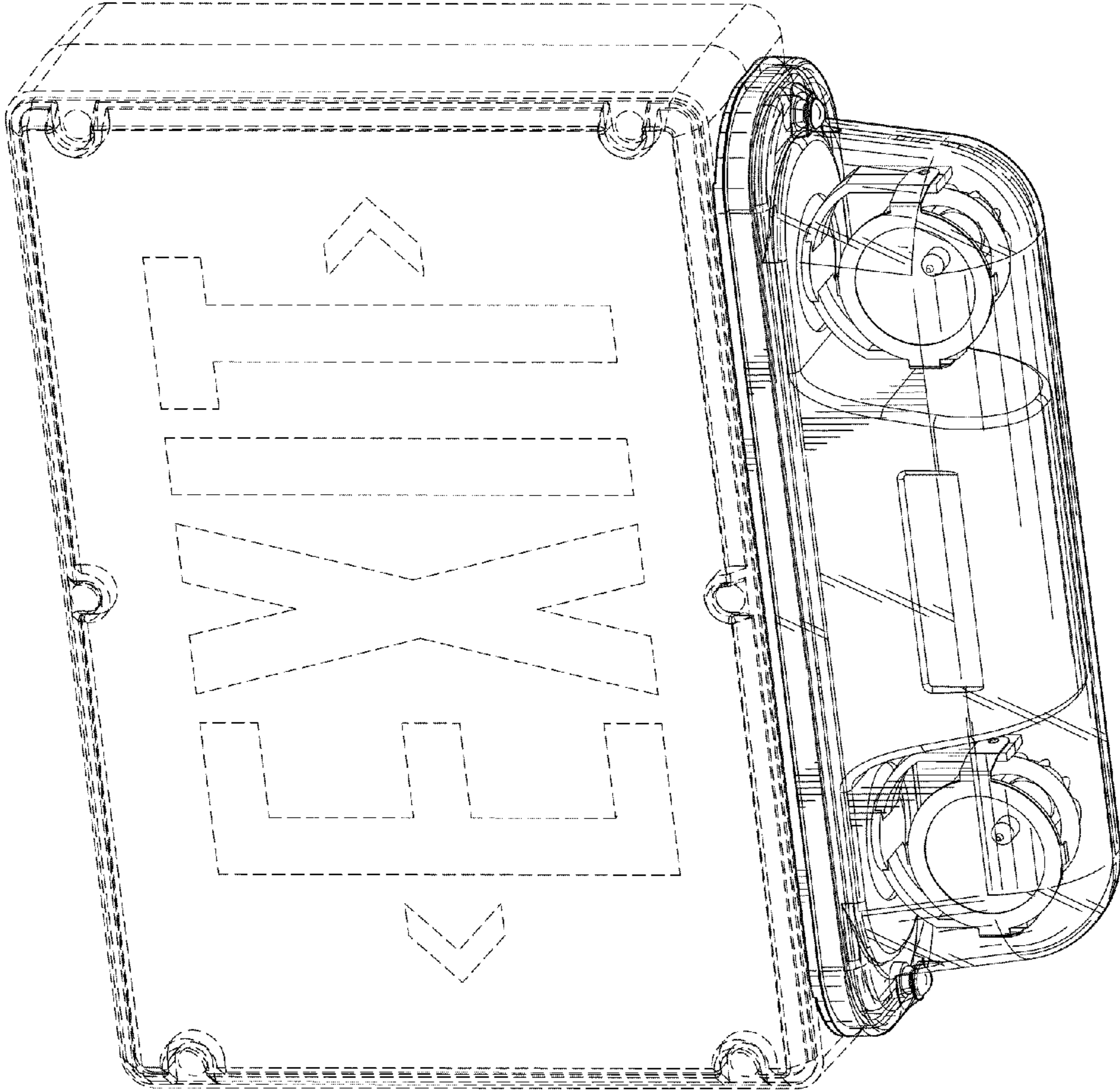


FIG. 1

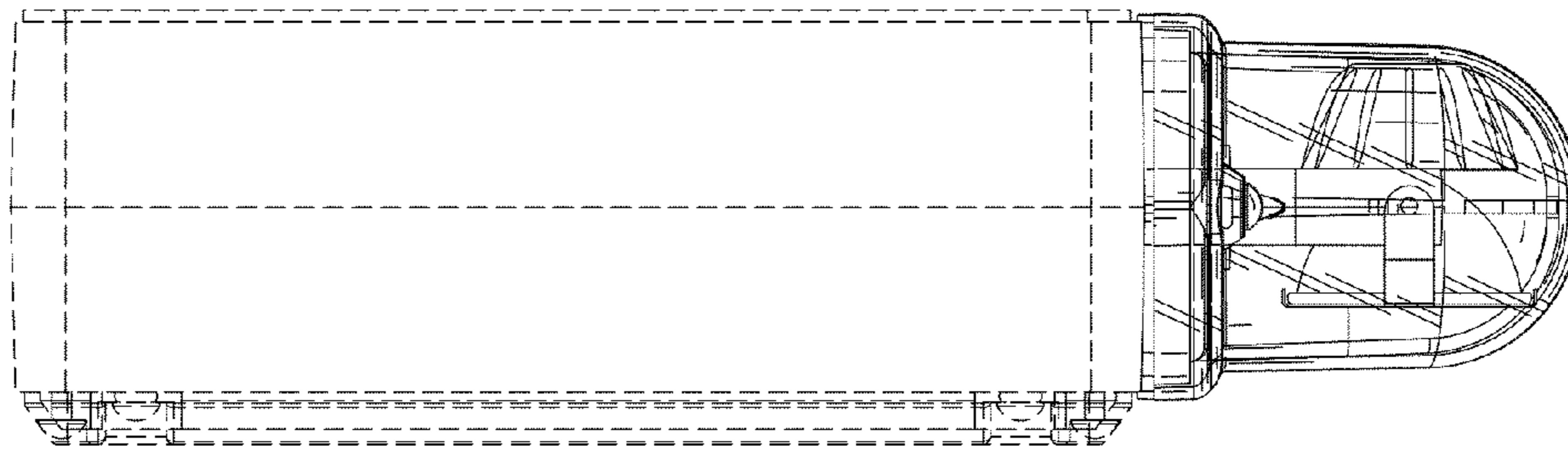


FIG. 3

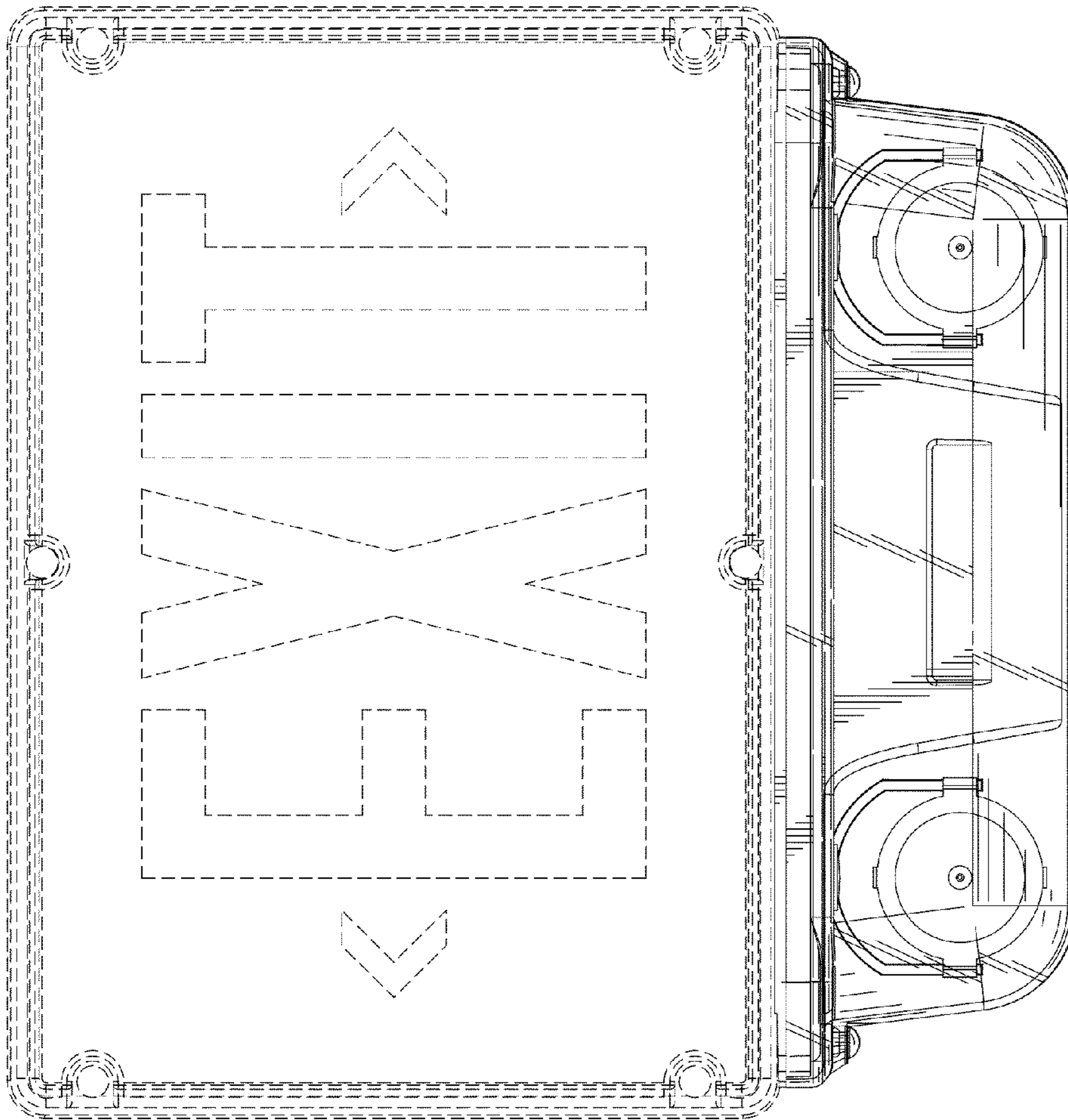


FIG. 2

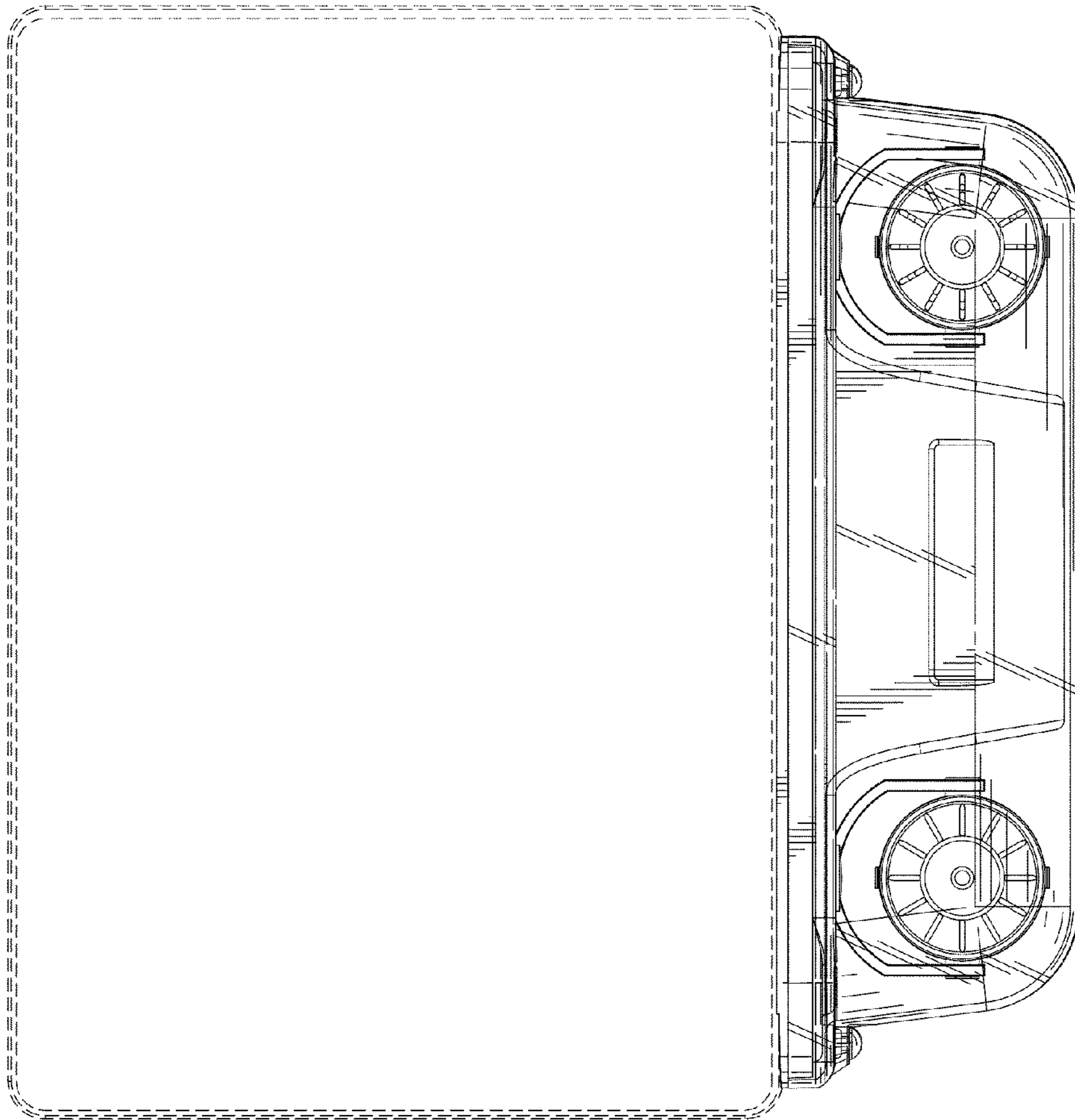


FIG. 4

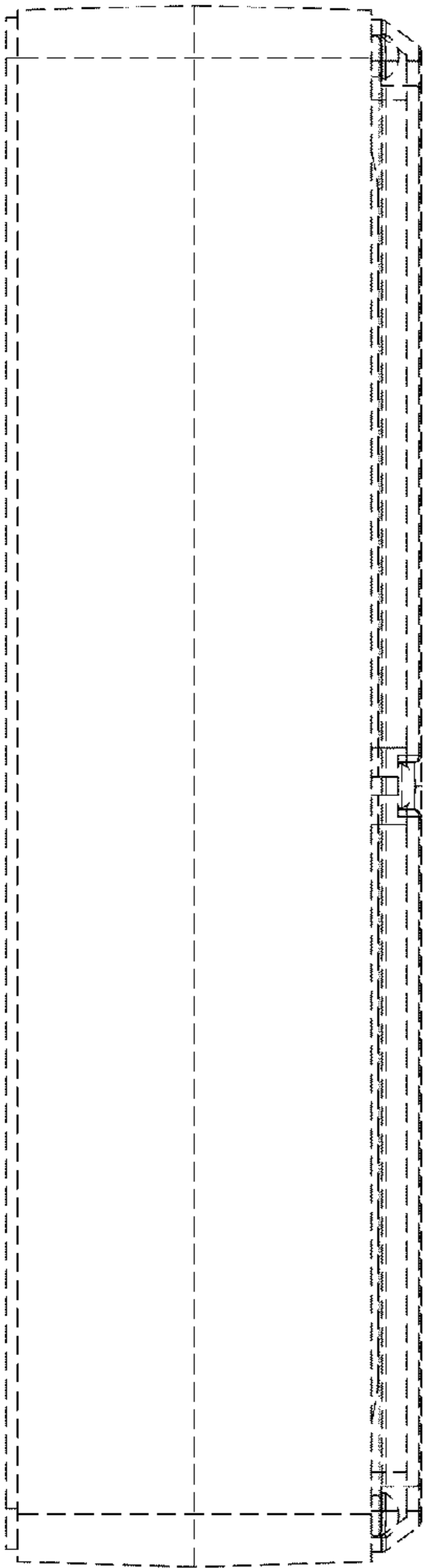


FIG. 5

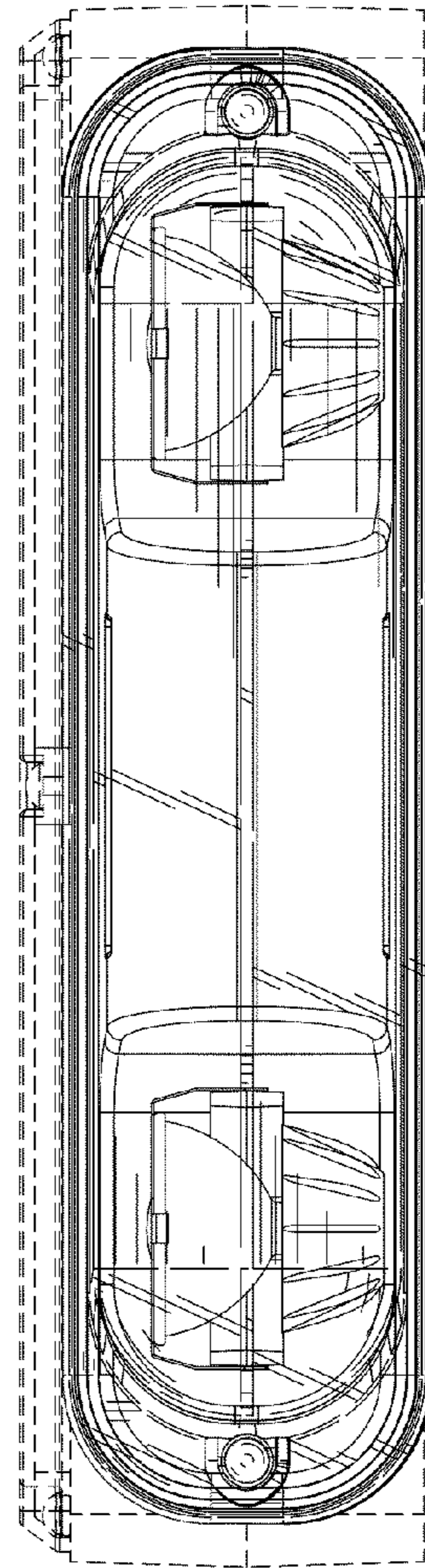


FIG. 6