



US00D648467S

(12) **United States Design Patent**
Nguyen et al.

(10) **Patent No.:** **US D648,467 S**

(45) **Date of Patent:** **** Nov. 8, 2011**

(54) **LIGHTING DEVICE BODY PORTION**

(75) Inventors: **Hien Nguyen**, Westminster, CA (US);
Loc Nguyen, Santa Ana, CA (US)

(73) Assignee: **SureFire, LLC**, Fountain Valley, CA (US)

(**) Term: **14 Years**

(21) Appl. No.: **29/383,293**

(22) Filed: **Jan. 14, 2011**

(51) **LOC (9) Cl.** **26-02**

(52) **U.S. Cl.** **D26/46**

(58) **Field of Classification Search** D26/37,
D26/38, 39, 40, 41, 43, 44, 46, 49; 362/157,
362/158, 184–199, 202–208

See application file for complete search history.

(56) **References Cited**

U.S. PATENT DOCUMENTS

| | | | | |
|--------------|-----|---------|------------------|--------|
| D433,171 | S | 10/2000 | Petterson et al. | |
| D488,877 | S | 4/2004 | Shin | |
| 7,278,764 | B2 | 10/2007 | Kim | |
| D566,314 | S | 4/2008 | Jen | |
| D567,415 | S * | 4/2008 | Shiu | D26/37 |
| D570,511 | S * | 6/2008 | Shiu | D26/49 |
| D577,844 | S | 9/2008 | Shiu | |
| D579,135 | S | 10/2008 | Shiu | |
| D583,972 | S * | 12/2008 | Shiu | D26/49 |
| D586,489 | S | 2/2009 | Shiu | |
| D590,970 | S * | 4/2009 | Kornfeld et al. | D26/37 |
| D595,439 | S * | 6/2009 | Haight et al. | D26/49 |
| D596,328 | S * | 7/2009 | Shiu | D26/49 |
| D598,151 | S | 8/2009 | McGraw | |
| D599,928 | S | 9/2009 | Shiu | |
| D601,287 | S * | 9/2009 | Caniparoli | D26/49 |
| 7,604,371 | B2 | 10/2009 | Bushee et al. | |
| 7,686,472 | B1 | 3/2010 | Huang | |
| D621,538 | S | 8/2010 | Bushee | |
| D630,783 | S | 1/2011 | Baker et al. | |
| D630,784 | S | 1/2011 | Robinson et al. | |
| 2008/0291666 | A1 | 11/2008 | Bushee et al. | |
| 2009/0295310 | A1 | 12/2009 | Duerr et al. | |
| 2010/0315805 | A1 | 12/2010 | Dongpan | |

* cited by examiner

Primary Examiner — Ian Simmons

Assistant Examiner — Carissa C Fitts

(74) *Attorney, Agent, or Firm* — Haynes and Boone, LLP

(57) **CLAIM**

The ornamental design for a lighting device body portion, as shown and described.

DESCRIPTION

FIG. 1 is a front perspective view of a lighting device body portion showing our new design implemented as part of a first lighting device;

FIG. 2 is a rear perspective view thereof;

FIG. 3 is a top plan view thereof.

FIG. 4 is a bottom plan view thereof;

FIG. 5 is a right side elevational view thereof;

FIG. 6 is a left side elevational view thereof;

FIG. 7 is a front side elevational view thereof; and

FIG. 8 is a rear side elevational view thereof.

FIG. 9 is a front perspective view of the lighting device body portion implemented as part of a second lighting device;

FIG. 10 is a rear perspective view thereof;

FIG. 11 is a top plan view thereof.

FIG. 12 is a bottom plan view thereof;

FIG. 13 is a right side elevational view thereof;

FIG. 14 is a left side elevational view thereof;

FIG. 15 is a front side elevational view thereof; and

FIG. 16 is a rear side elevational view thereof.

FIG. 17 is a front perspective view of the lighting device body portion implemented as part of a third lighting device;

FIG. 18 is a rear perspective view thereof;

FIG. 19 is a top plan view thereof.

FIG. 20 is a bottom plan view thereof;

FIG. 21 is a right side elevational view thereof;

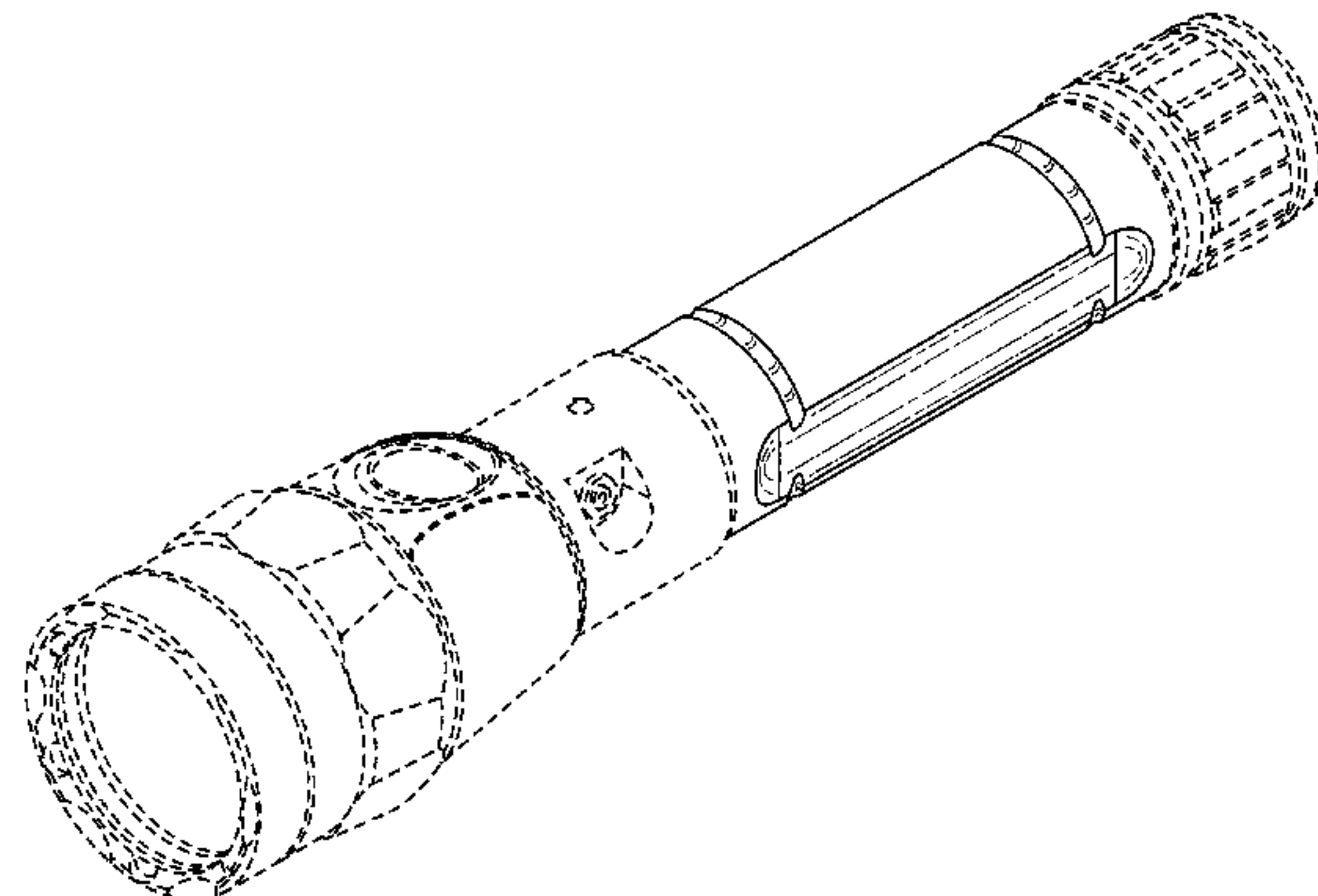
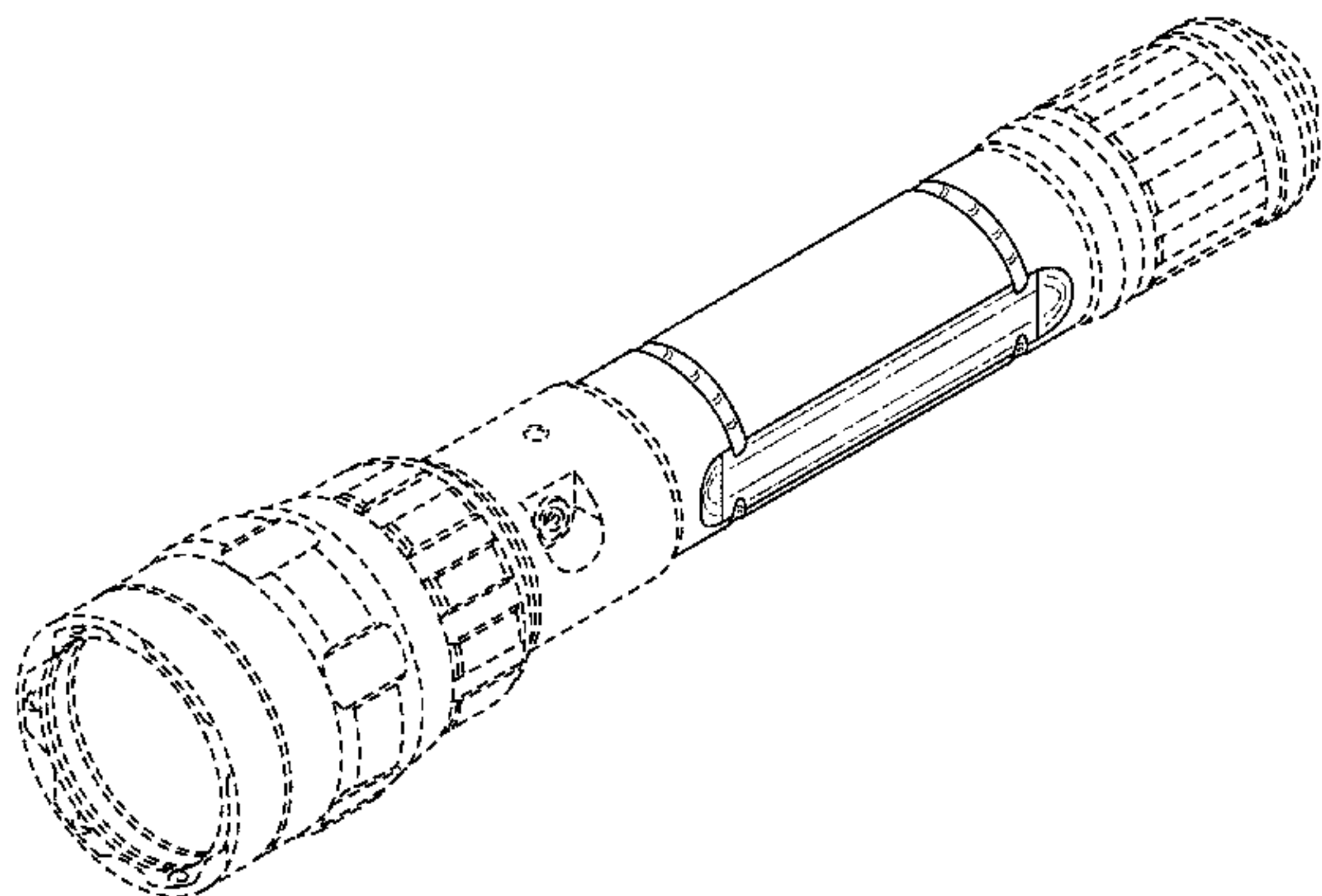
FIG. 22 is a left side elevational view thereof;

FIG. 23 is a front side elevational view thereof; and,

FIG. 24 is a rear side elevational view thereof.

The broken lines in the figures are shown for the purpose of illustrating environmental matter and form no part of the claimed design.

1 Claim, 21 Drawing Sheets



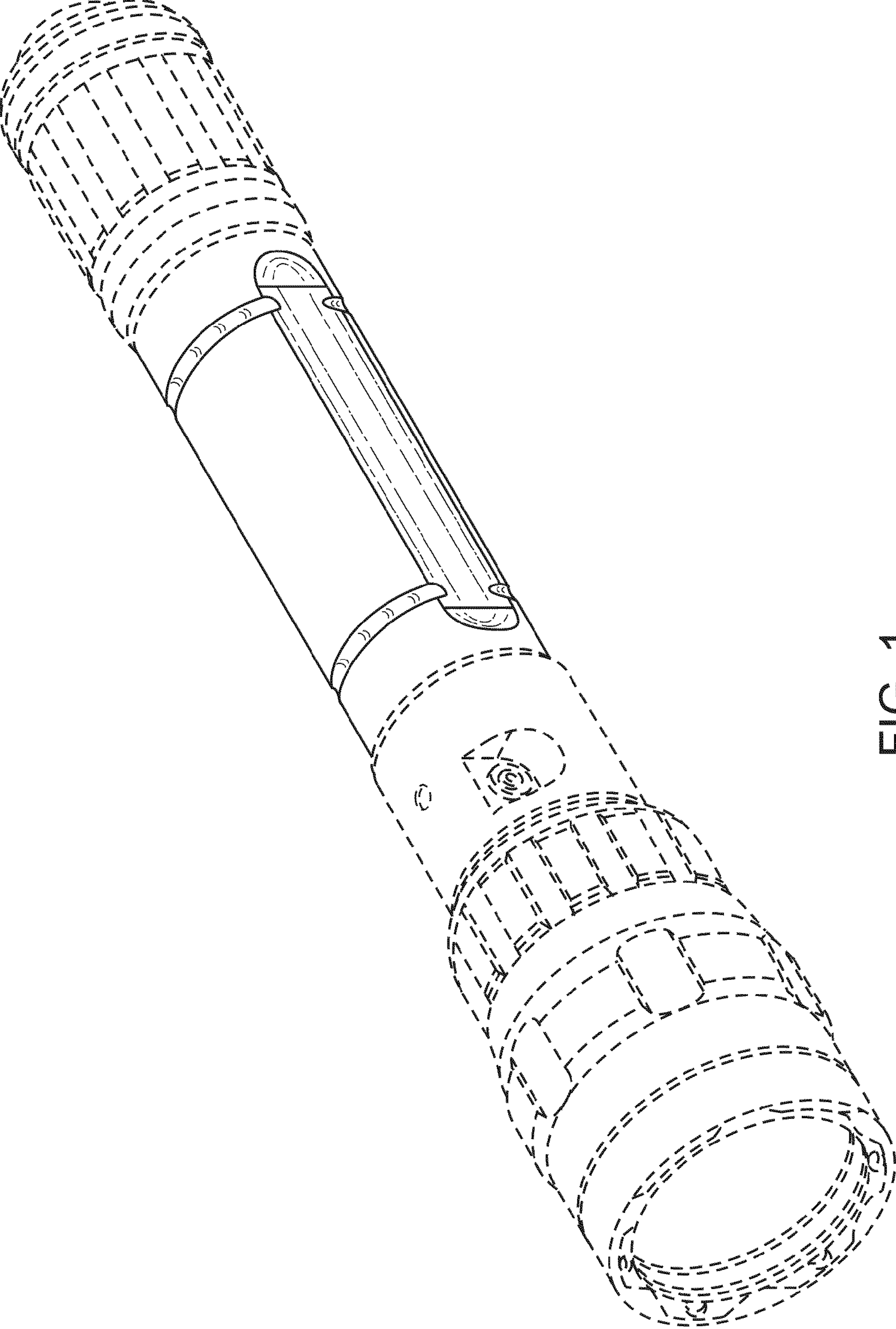


FIG. 1

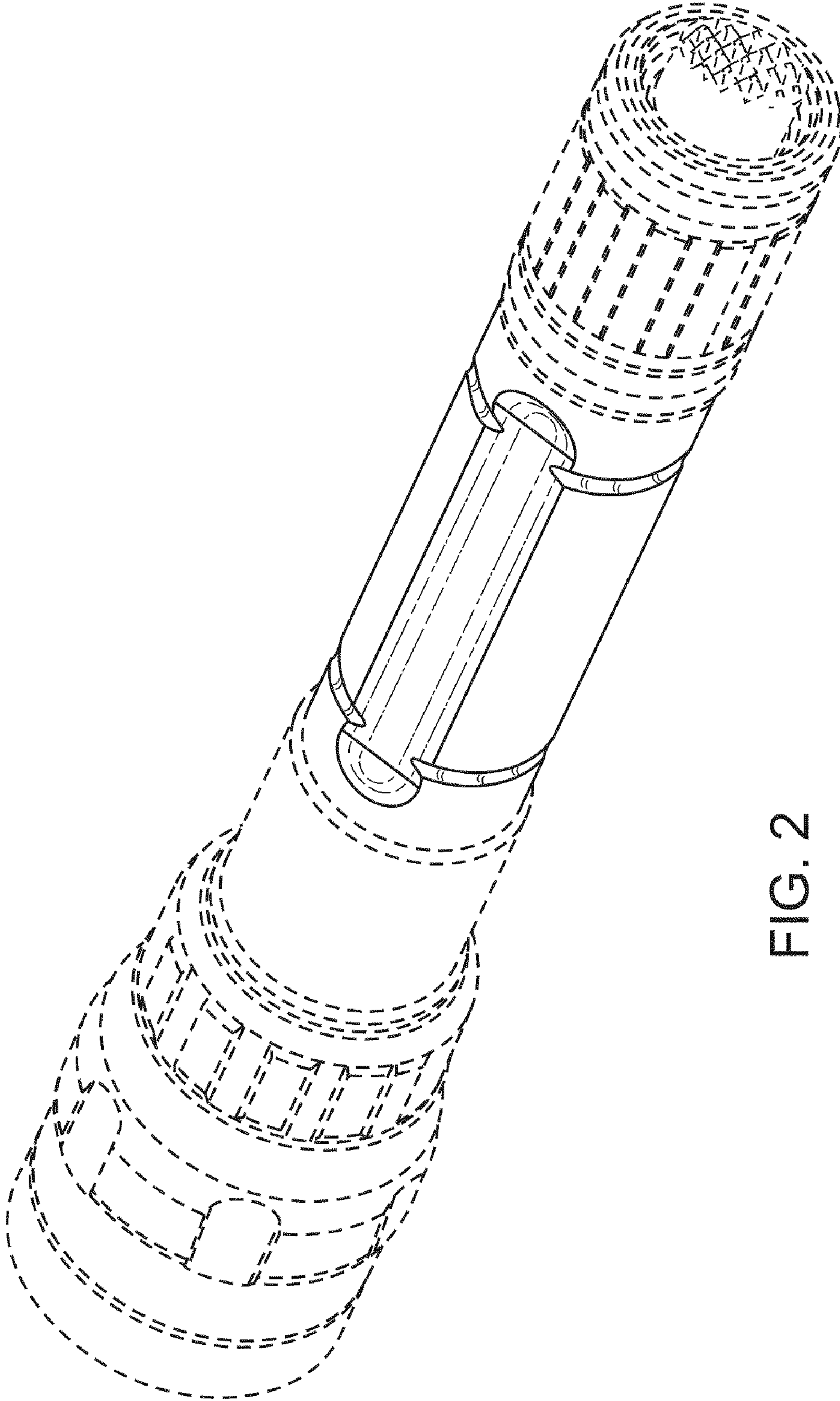


FIG. 2

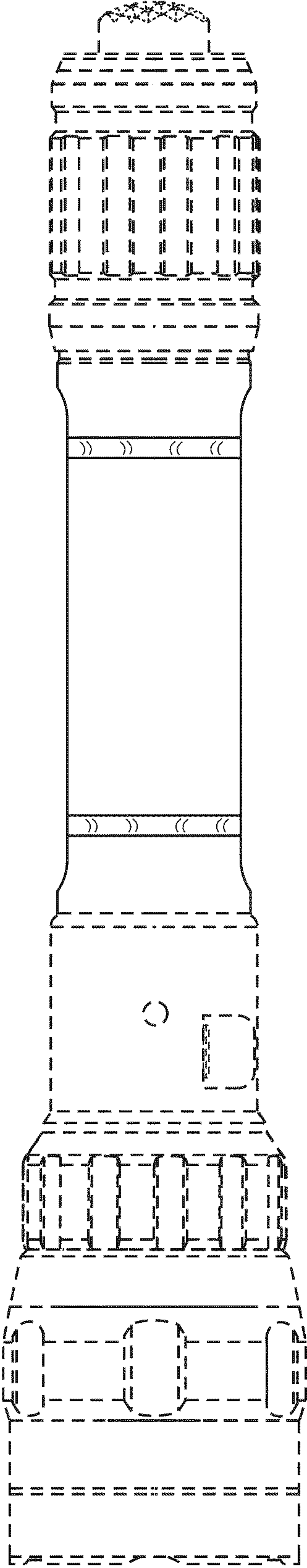


FIG. 3

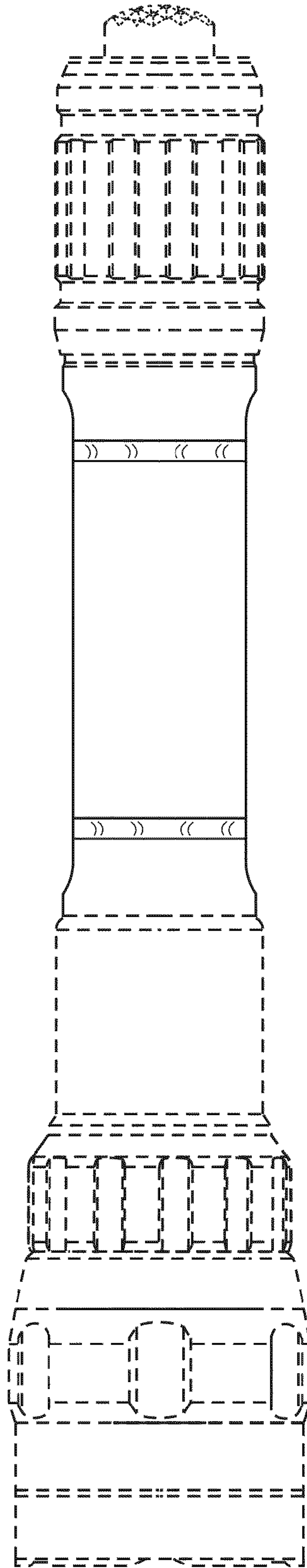


FIG. 4

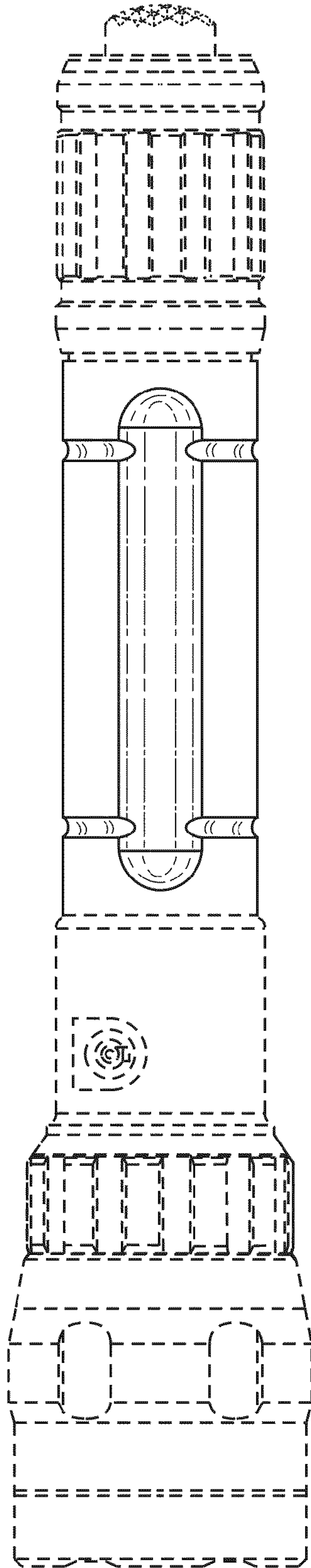


FIG. 5

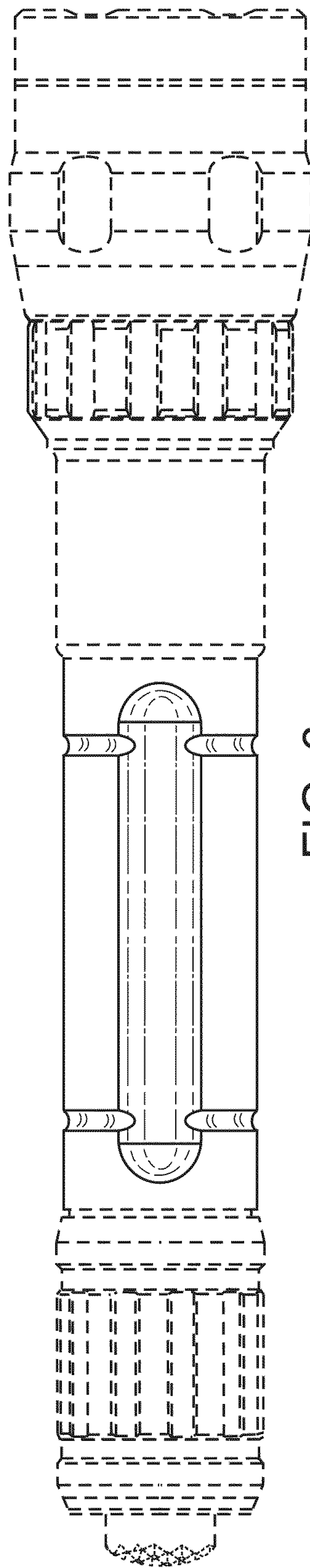


FIG. 6

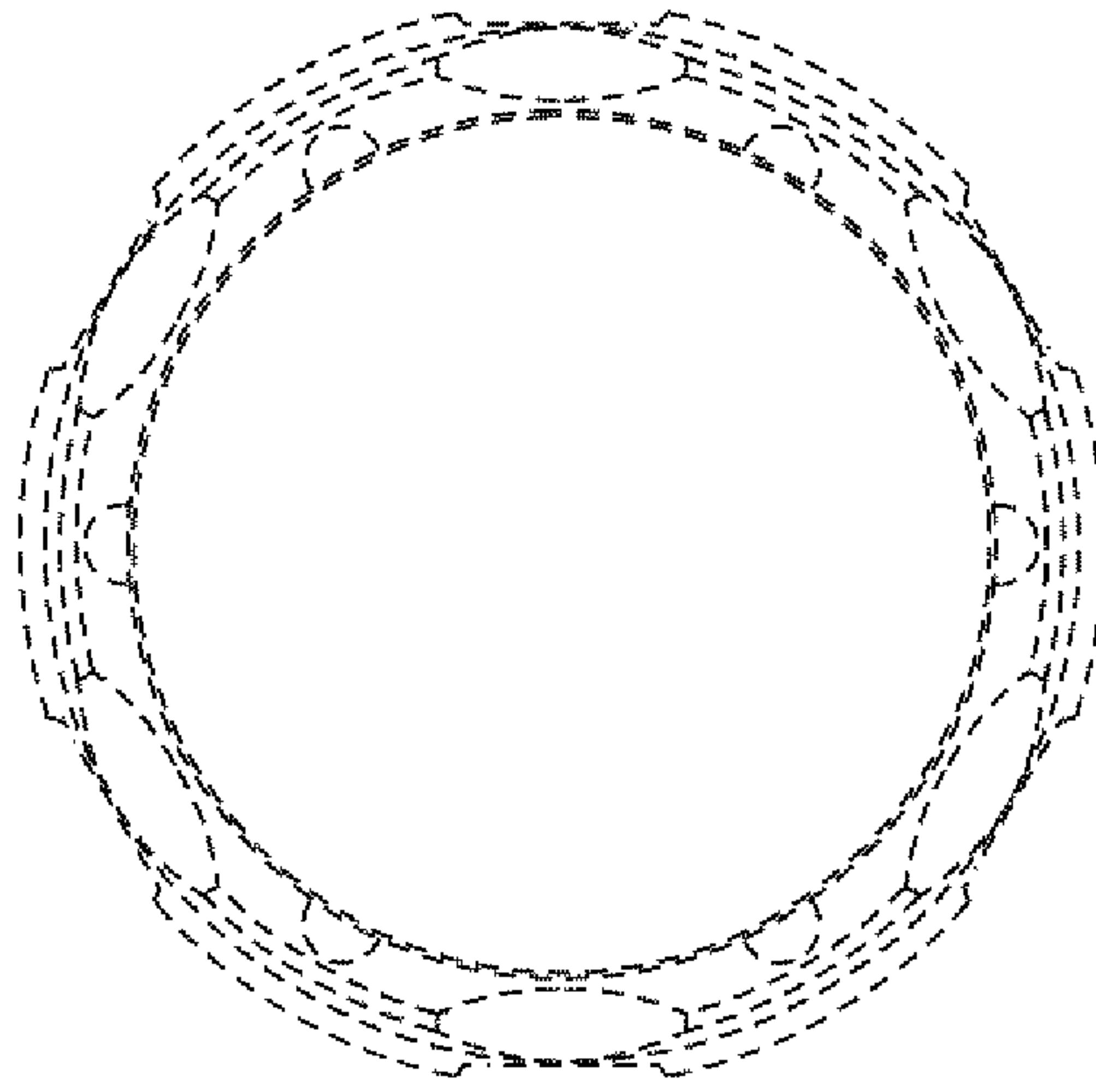


FIG. 7

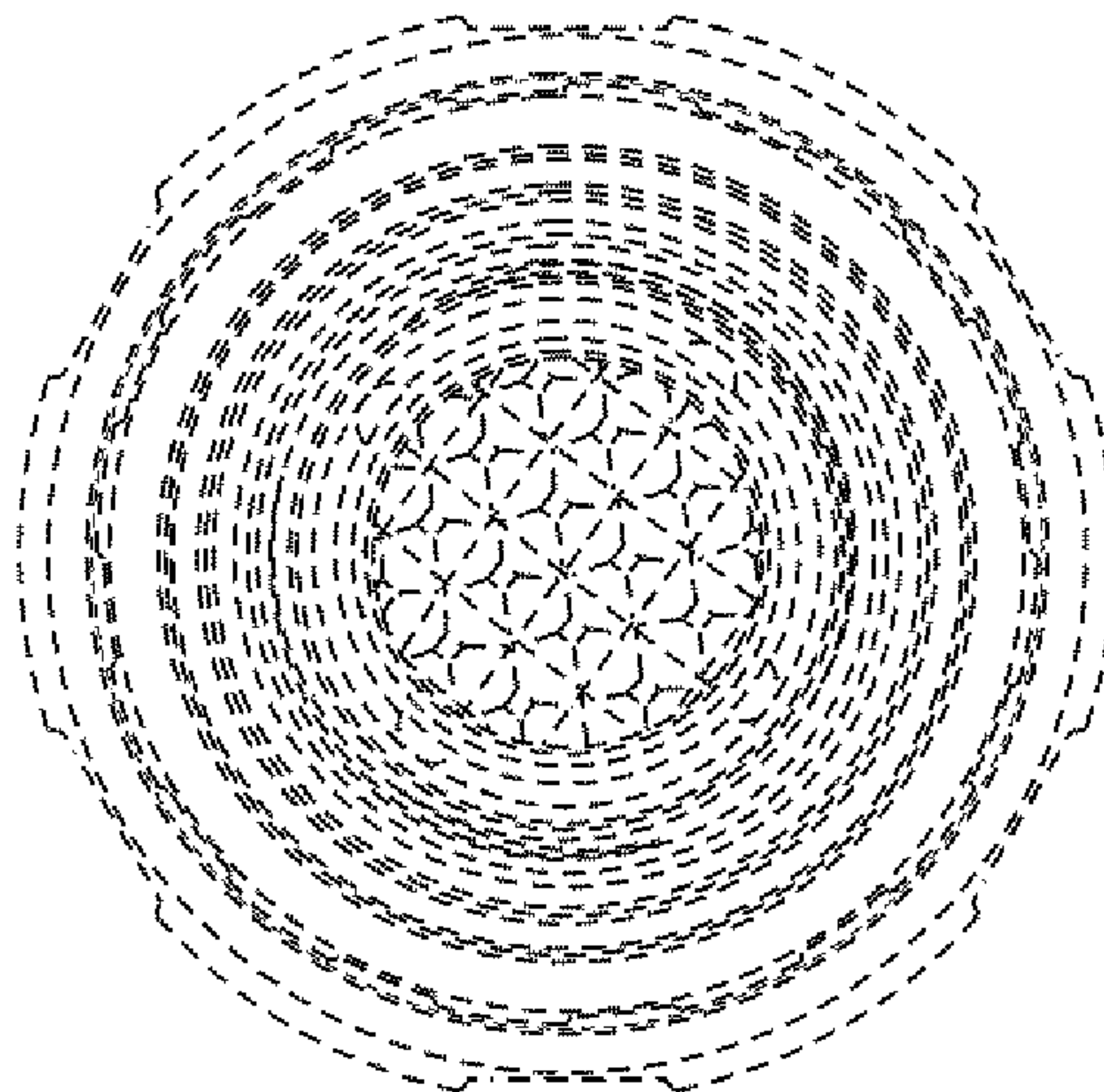


FIG. 8

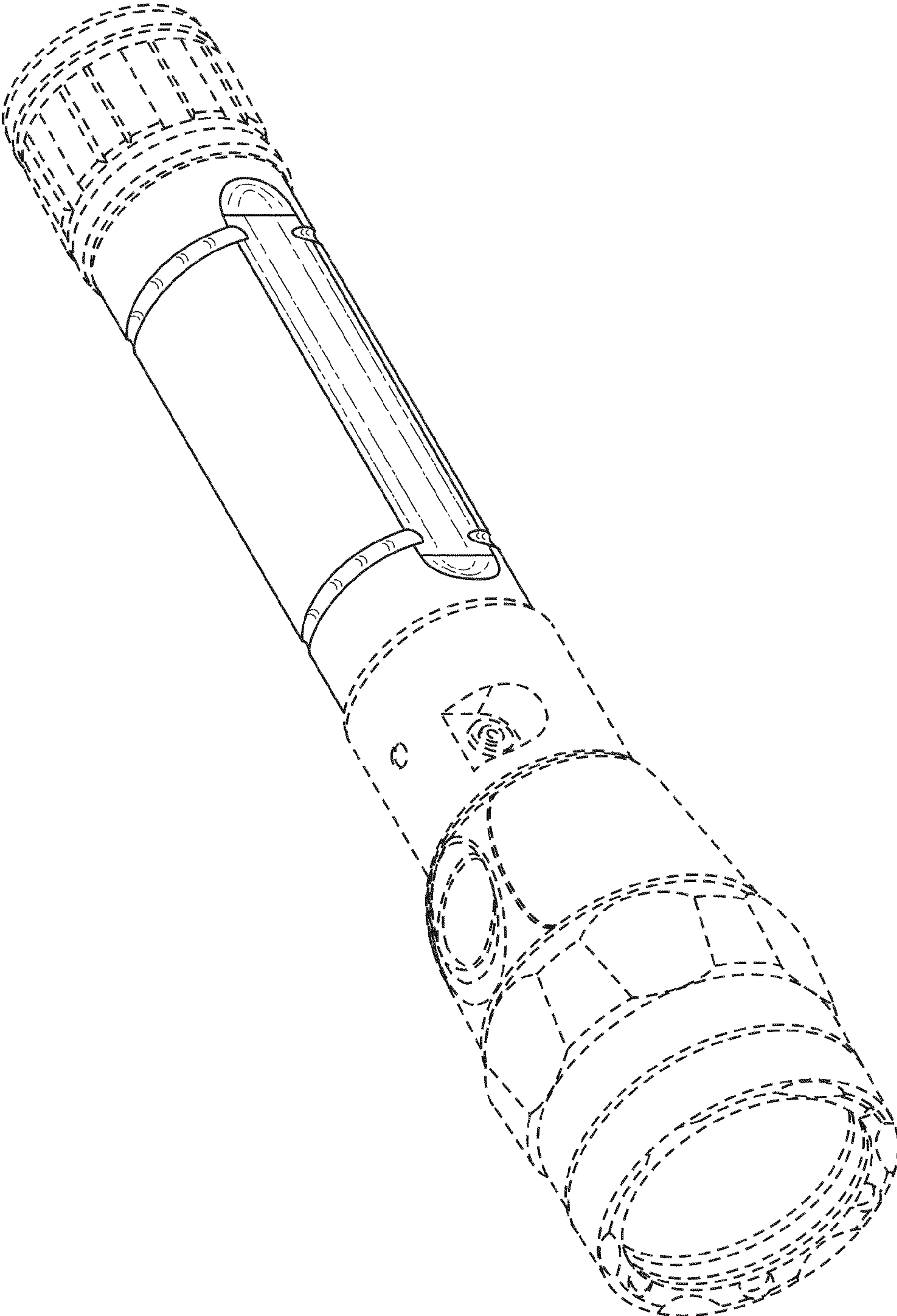


FIG. 9

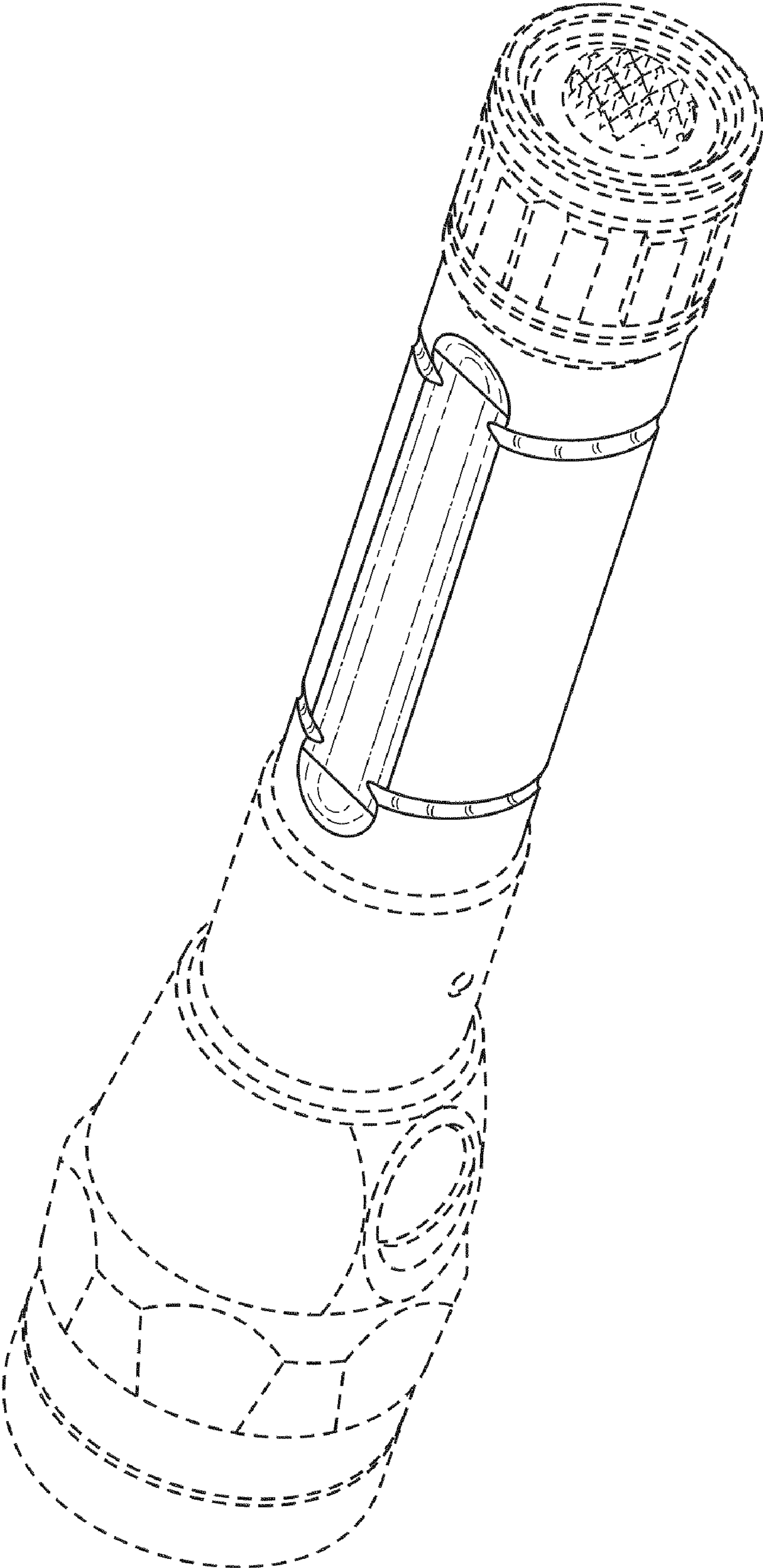


FIG. 10

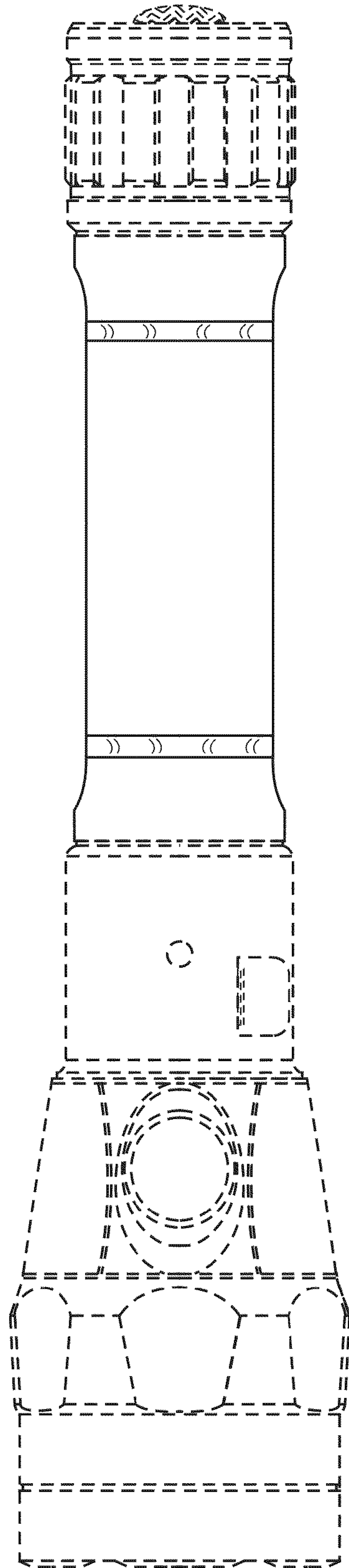


FIG. 11

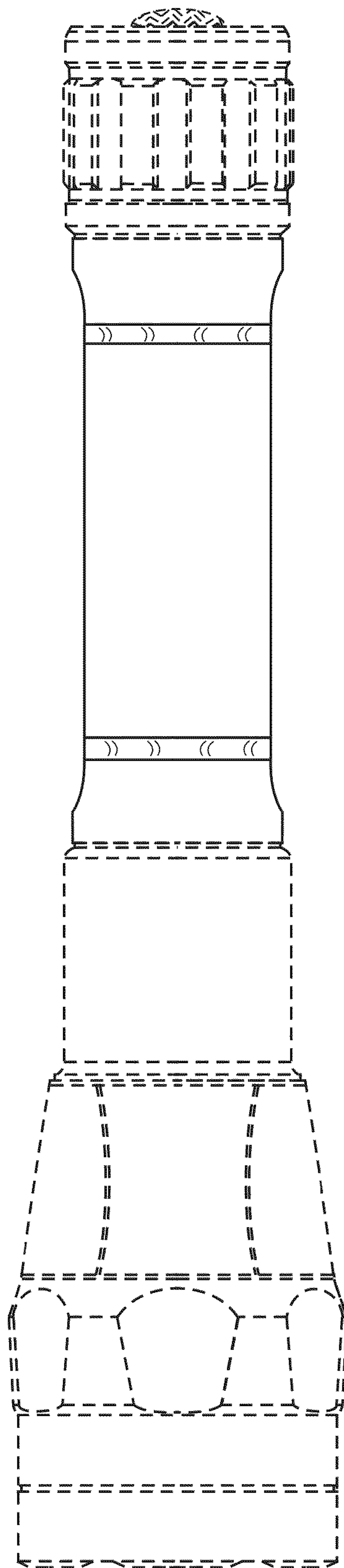


FIG. 12

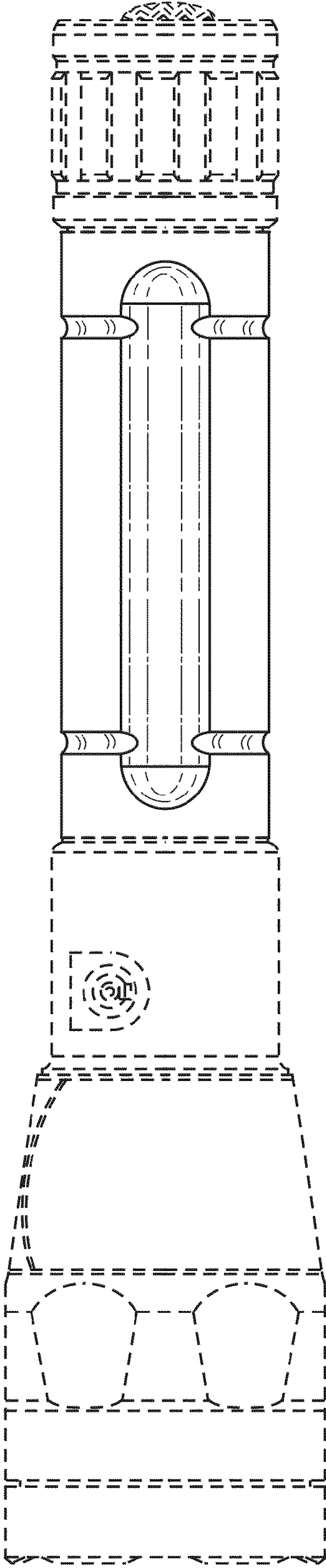


FIG. 13

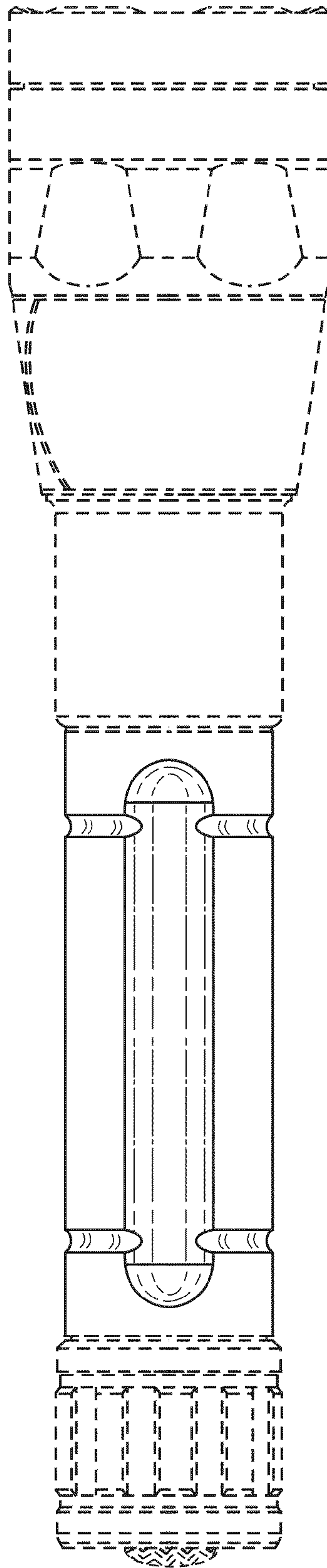


FIG. 14

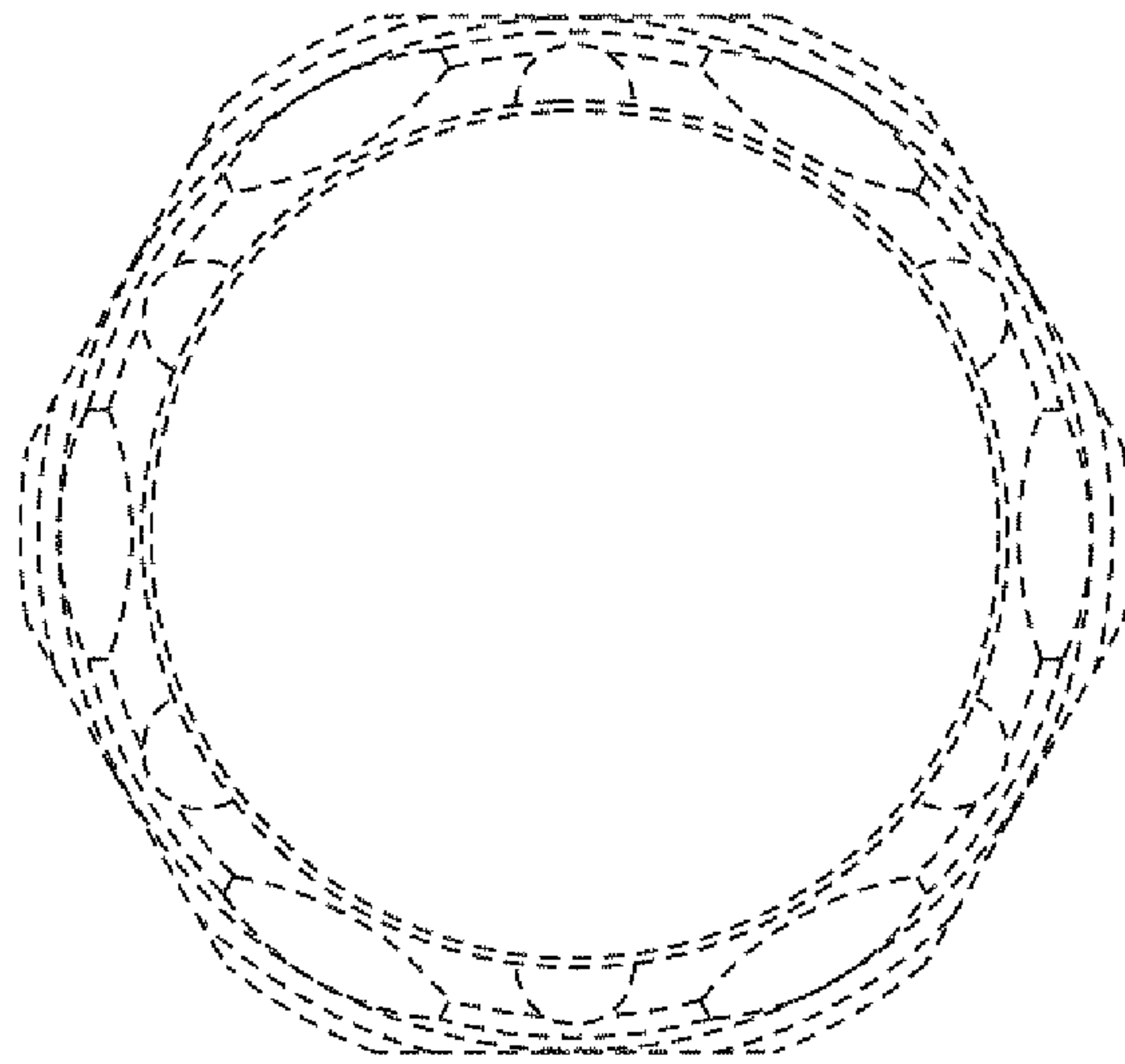


FIG. 15

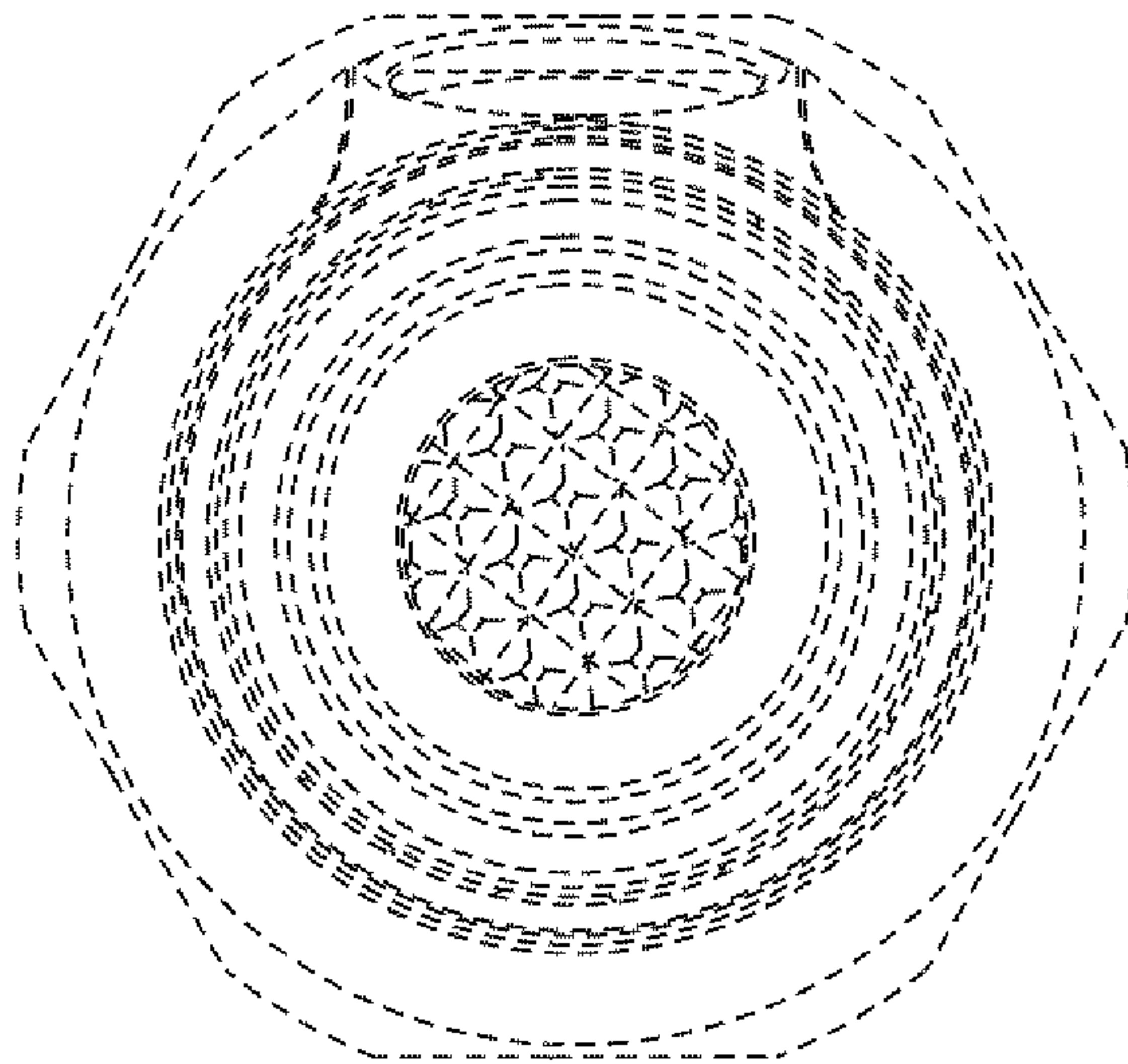


FIG. 16

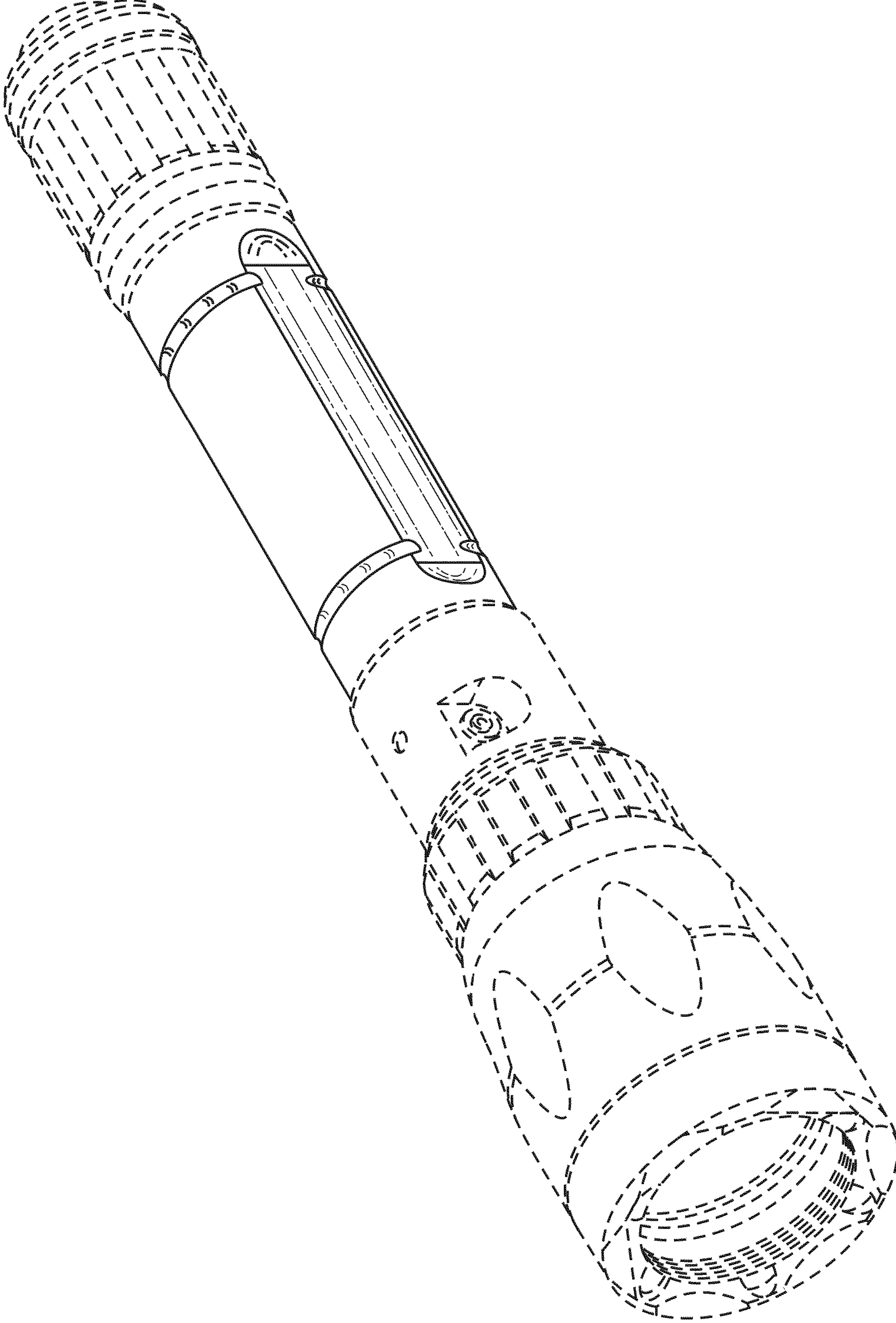


FIG. 17

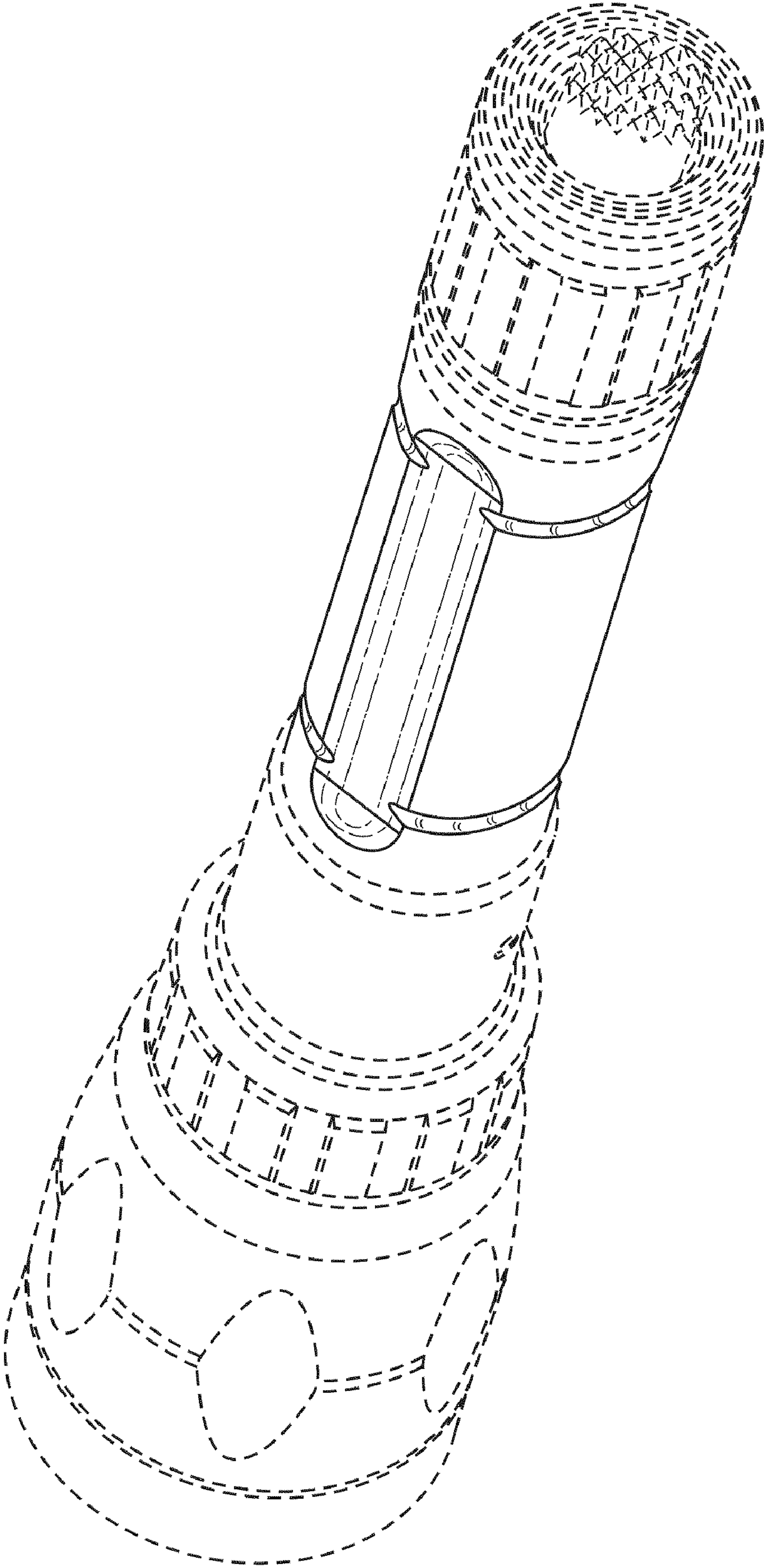


FIG. 18

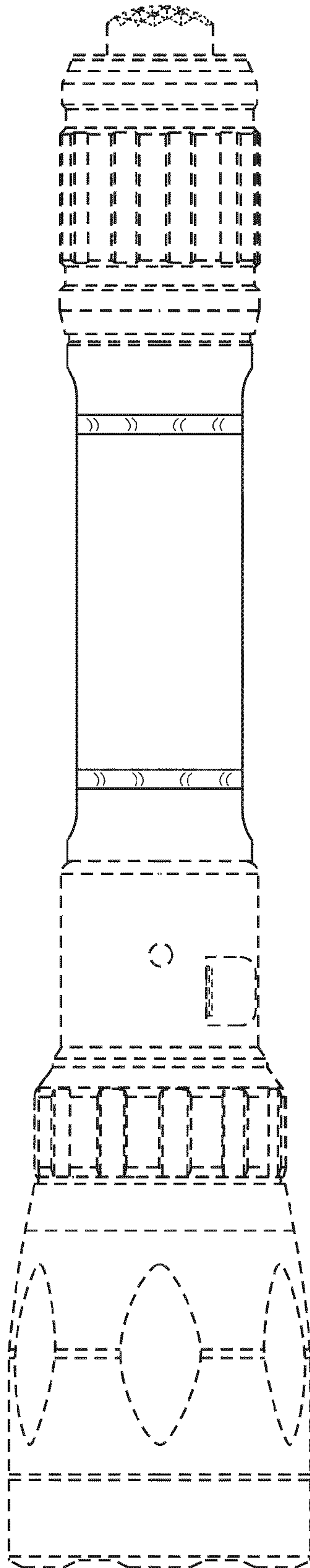


FIG. 19

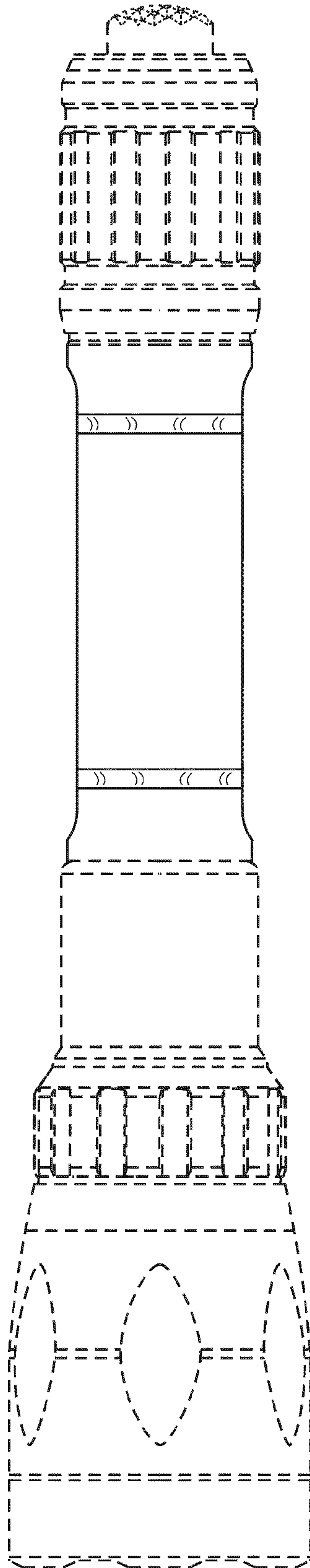


FIG. 20

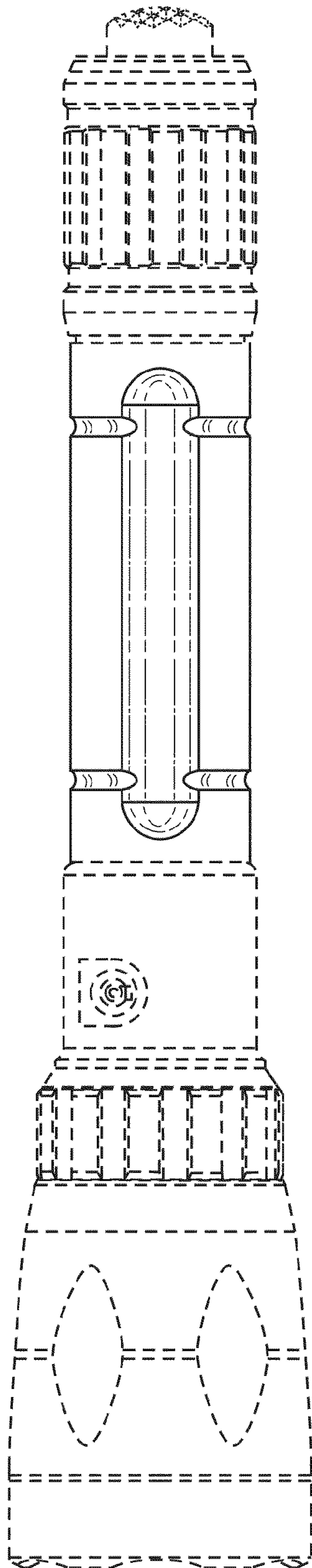


FIG. 21

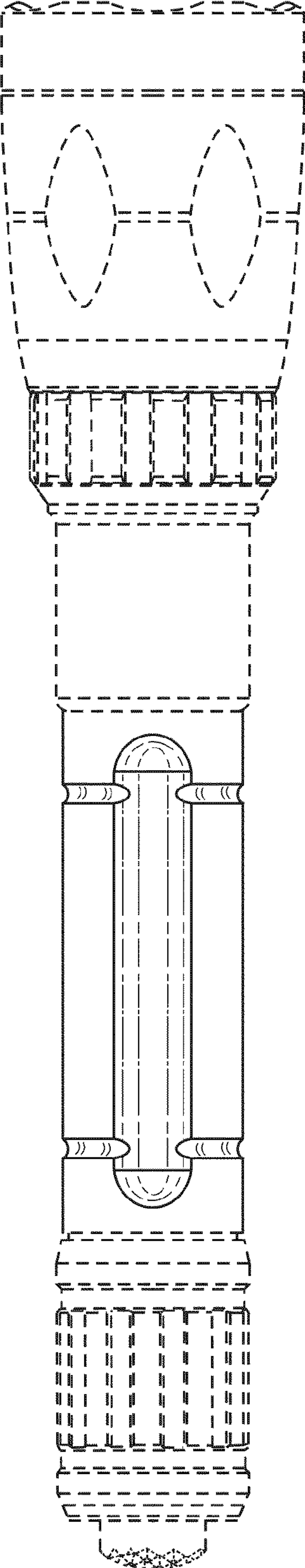


FIG. 22

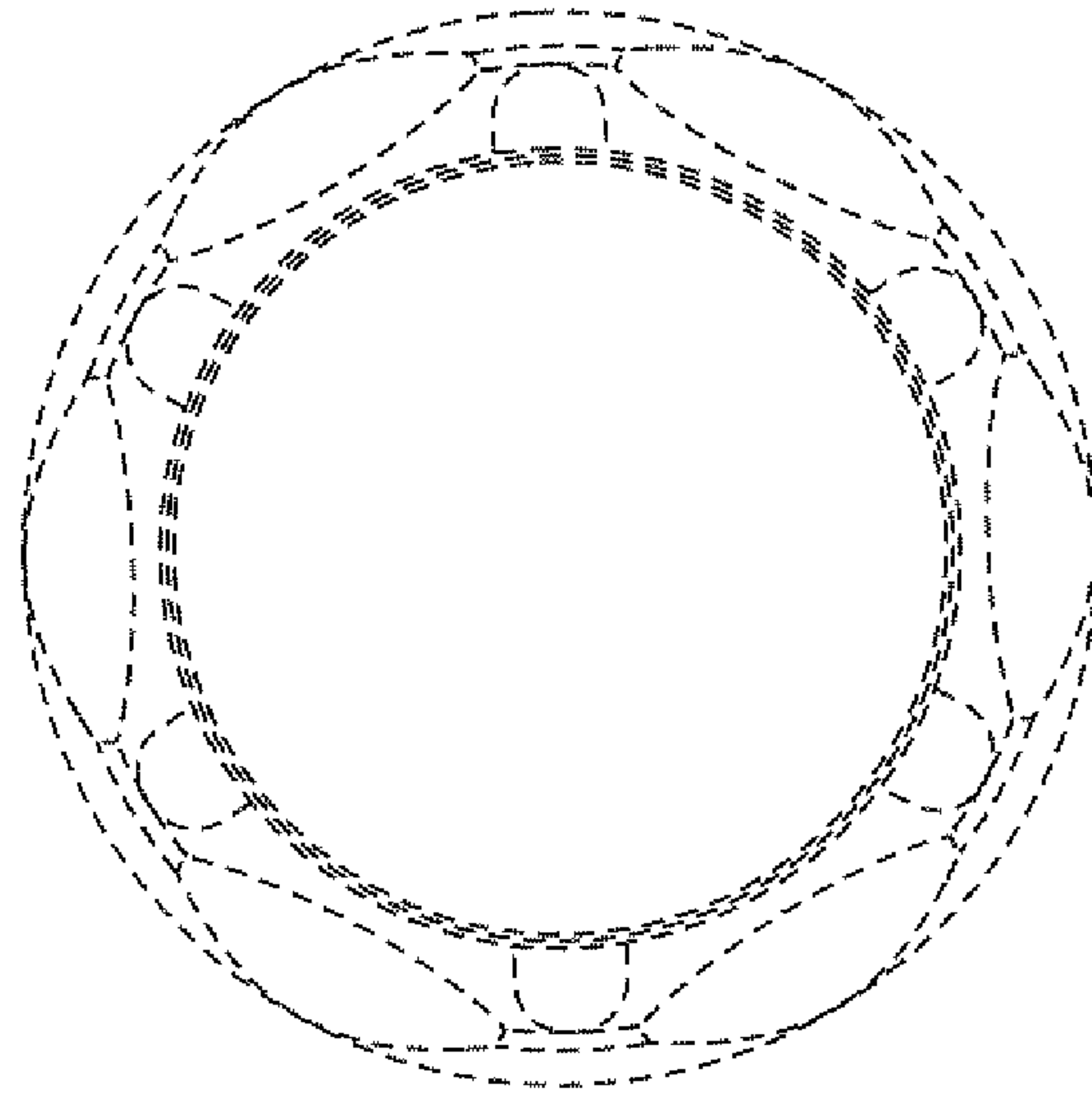


FIG. 23

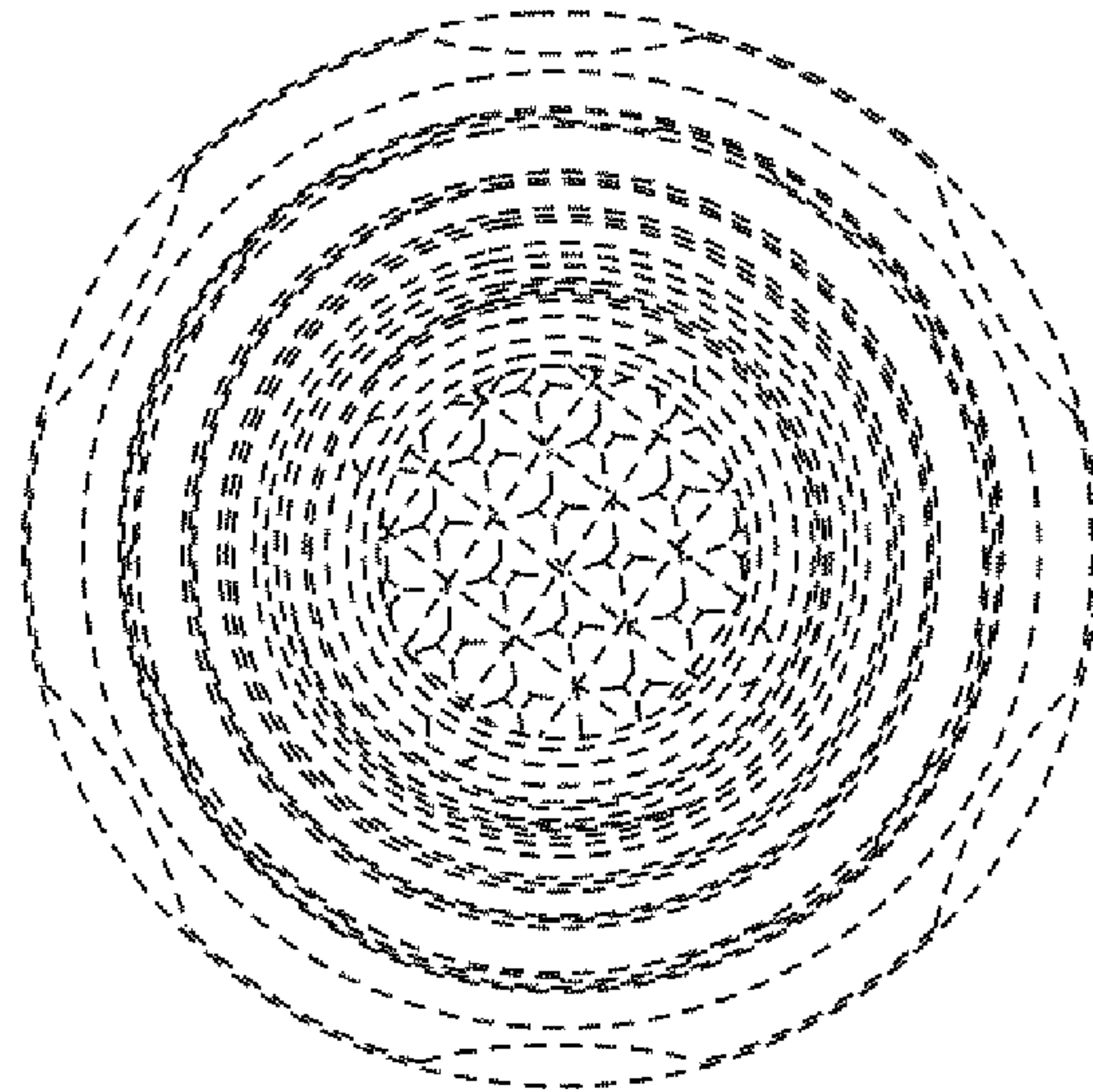


FIG. 24