



US00D648465S

(12) **United States Design Patent**
San Juan

(10) **Patent No.:** **US D648,465 S**

(45) **Date of Patent:** **** Nov. 8, 2011**

(54) **LAMP**

(76) **Inventor:** **Crystal L. San Juan**, Leicester, NC (US)

(**) **Term:** **14 Years**

(21) **Appl. No.:** **29/366,705**

(22) **Filed:** **Jul. 29, 2010**

(51) **LOC (9) Cl.** **26-04**

(52) **U.S. Cl.** **D26/25**

(58) **Field of Classification Search** D26/24,
D26/25, 27, 57, 94, 101, 7, 73, 125, 127;
D11/117, 118, 121, 124, 125, 108, 70; D20/10;
362/605, 551, 554, 556, 559, 564, 565, 566,
362/567, 568, 121, 122, 123, 249.14, 249.15,
362/249.16, 249.17, 249.18, 249.19, 806,
362/807, 812; D10/46.2; D9/516, 547

See application file for complete search history.

(56) **References Cited**

U.S. PATENT DOCUMENTS

D207,319	S	*	4/1967	Burnbaum	D11/124
3,774,800	A	*	11/1973	Lohwasser	220/359.2
D317,055	S	*	5/1991	Moore	D26/35
5,462,711	A	*	10/1995	Ricottone	422/1
D387,448	S	*	12/1997	Barthelmess	D26/25
D404,837	S	*	1/1999	Segan	D26/25
D451,827	S	*	12/2001	Winters	D10/46.2
D482,805	S	*	11/2003	Wrob	D26/25
D507,669	S	*	7/2005	Van Dyn Hoven	D26/25
D547,887	S	*	7/2007	Titmarsh	D26/25
D598,583	S	*	8/2009	Levine	D26/25
2006/0203498	A1	*	9/2006	Lin	362/351

OTHER PUBLICATIONS

DIY: Mason Jar Lights, Jun. 20, 2008, <http://peppermags.blogspot.com/2008/06/diy-mason-jar-lights.html>, viewed on Aug. 4, 2011.*

* cited by examiner

Primary Examiner — Angela J Lee

(74) *Attorney, Agent, or Firm* — Carter & Schnedler, P.A.

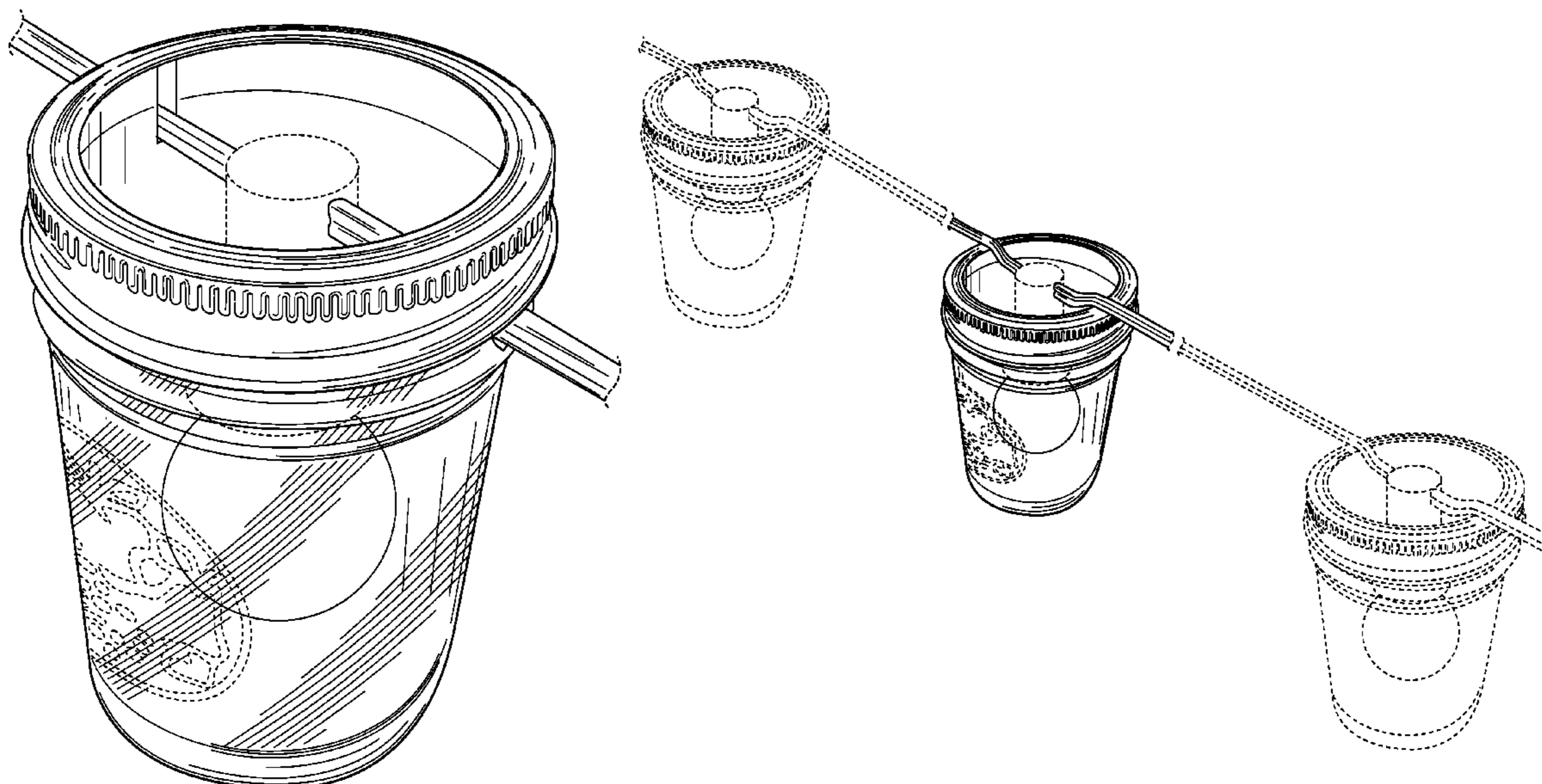
(57) **CLAIM**

The ornamental design for lamp, as shown and described.

DESCRIPTION

FIG. 1 is a perspective view of a lamp as a first embodiment; FIG. 2 is a front elevational view thereof; FIG. 3 is a rear elevational view thereof; FIG. 4 is a right side elevational view thereof; FIG. 5 is a left side elevational view thereof; FIG. 6 is a top plan view thereof; FIG. 7 is an underside view thereof; FIG. 8 is a perspective view thereof, but shown with the broken line environment; and FIG. 9 is a front view thereof. FIG. 10 is a perspective view of a lamp as a second embodiment; FIG. 11 is a front elevational view thereof; FIG. 12 is a rear elevational view thereof; FIG. 13 is a right side elevational view thereof; FIG. 14 is a left side elevational view thereof; FIG. 15 is a top plan view thereof; FIG. 16 is an underside view thereof; FIG. 17 is a perspective view thereof but shown with the broken line environment; and, FIG. 18 is a front view thereof. The portions of the lamp shown in broken lines form no part of the claimed design.

1 Claim, 16 Drawing Sheets



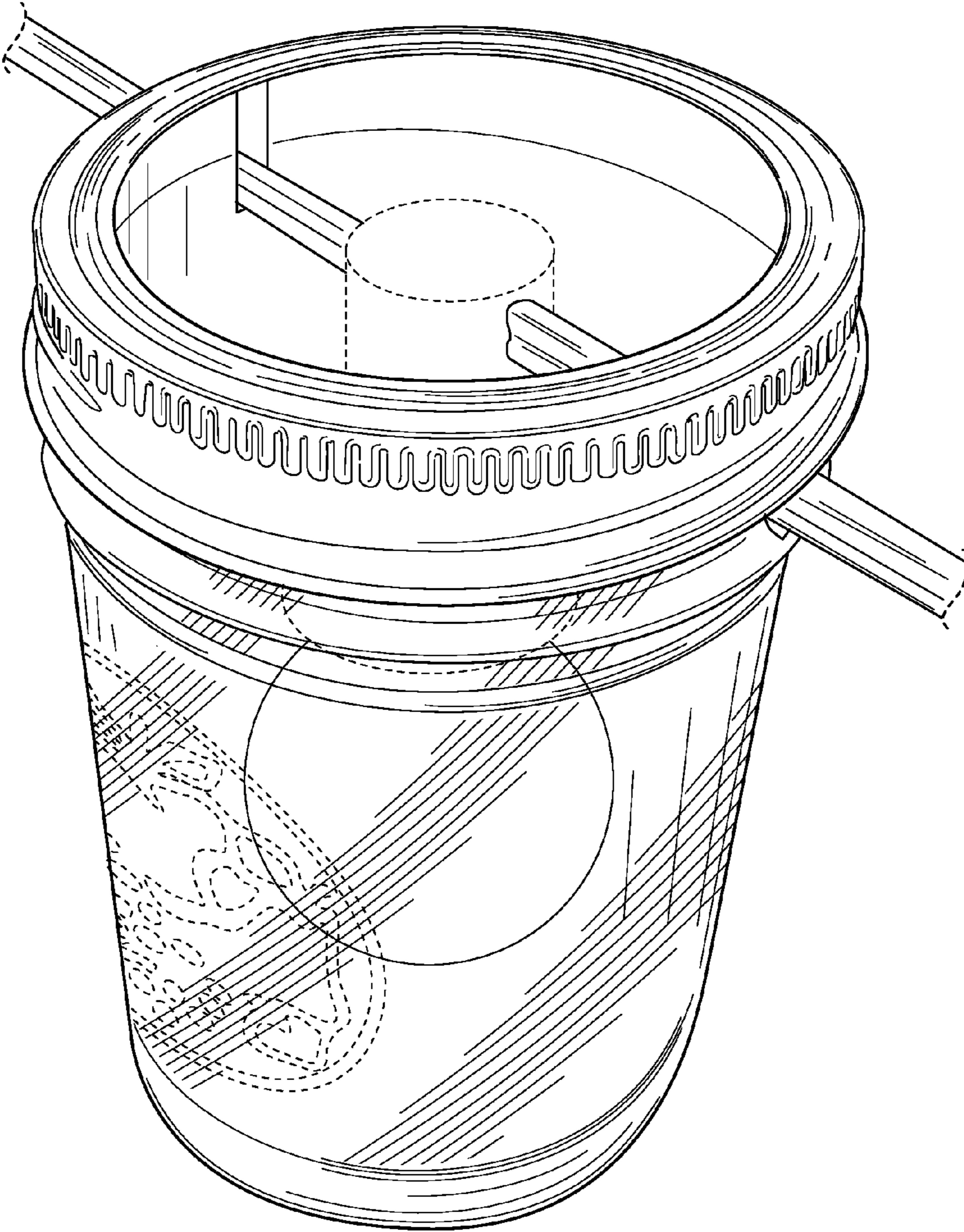


FIG. 1

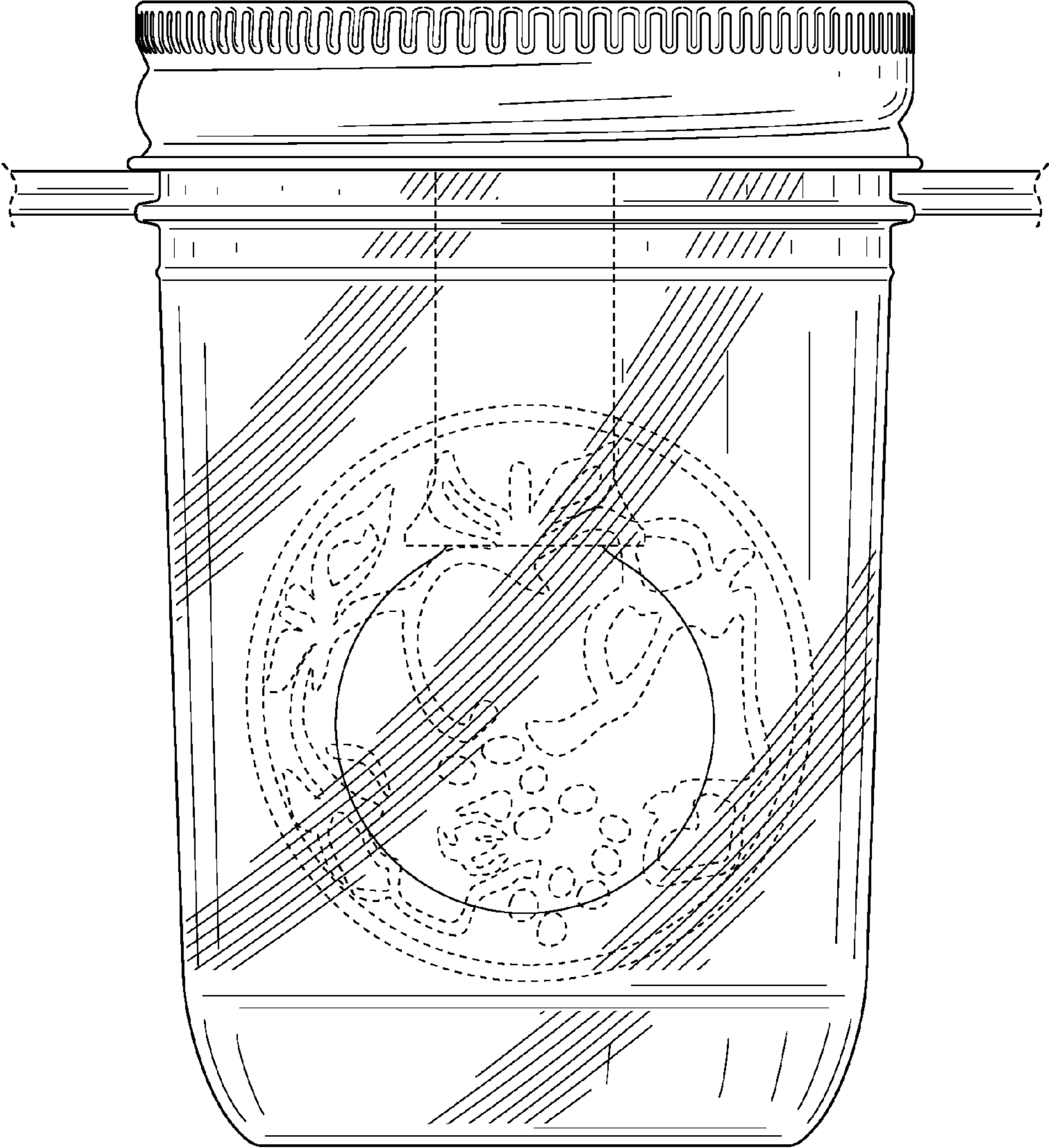


FIG. 2

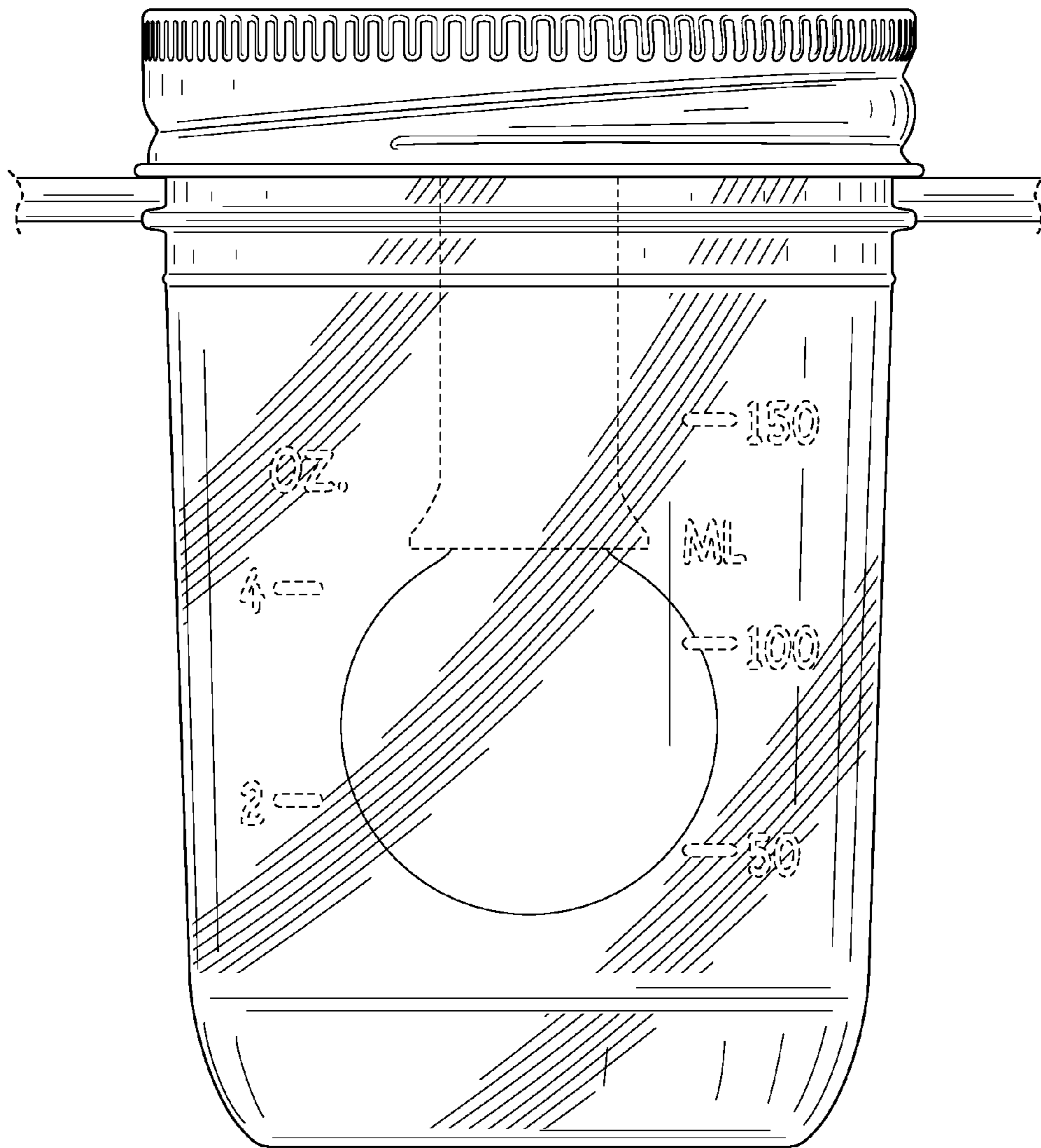


FIG. 3

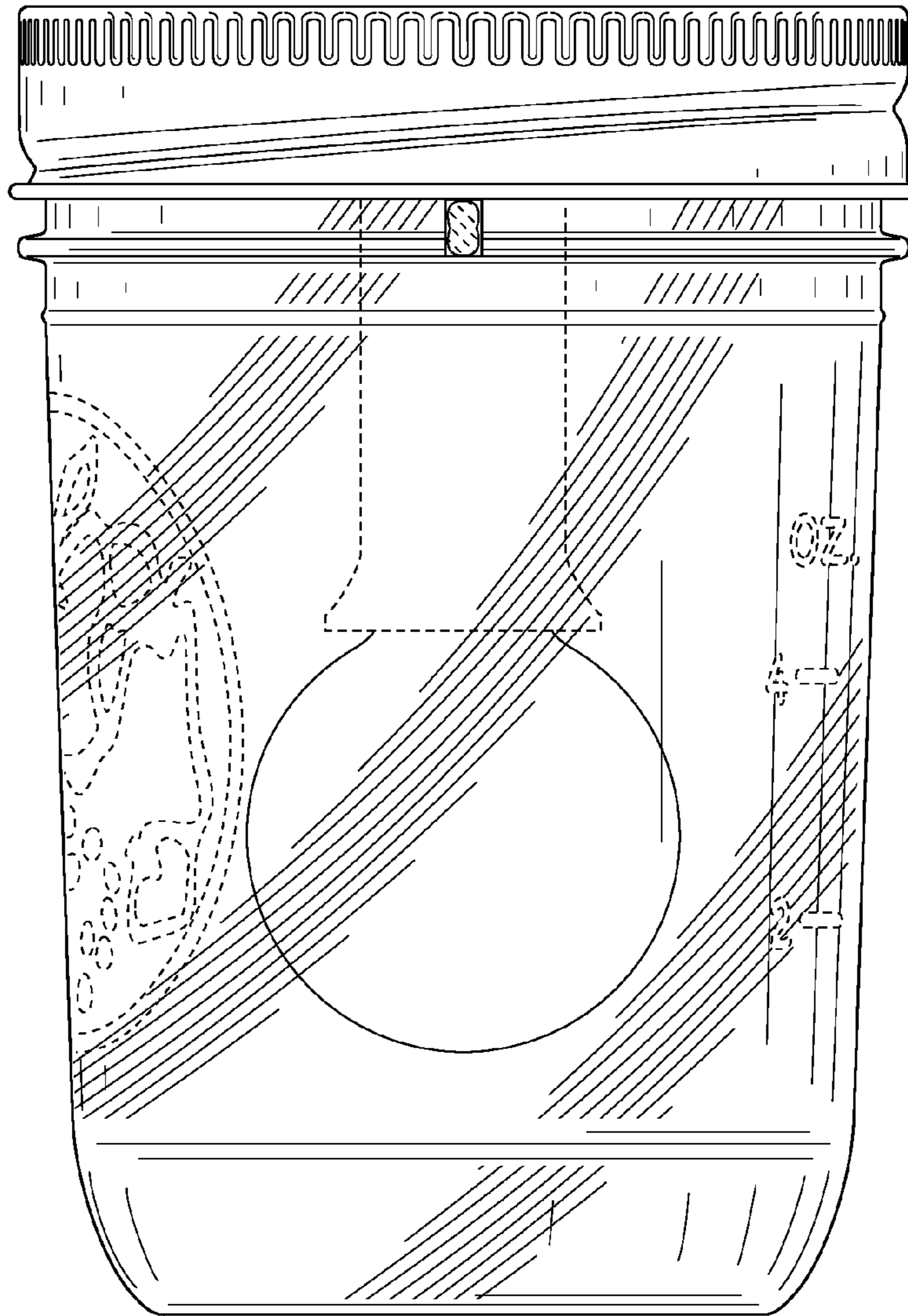


FIG. 4

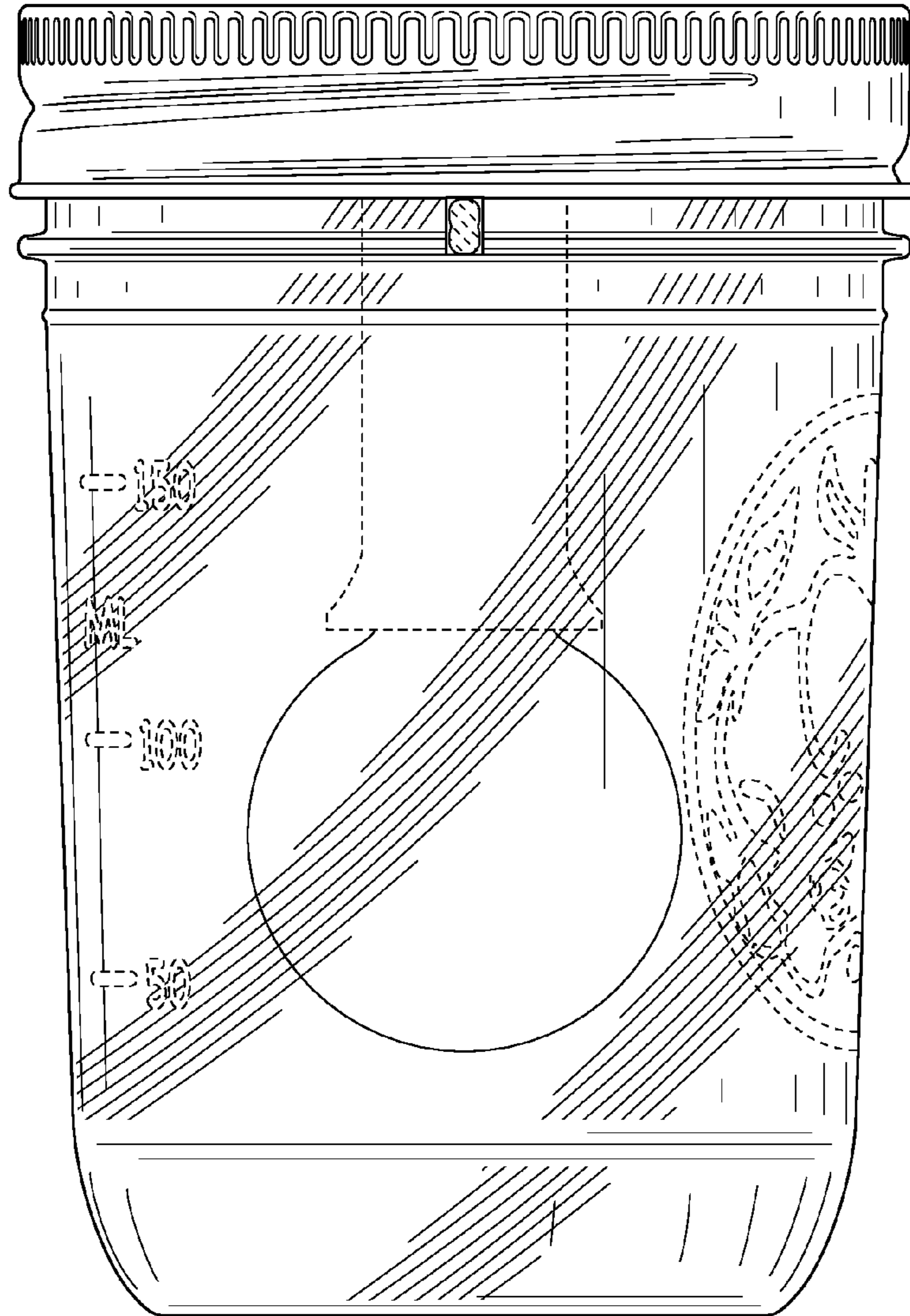


FIG. 5

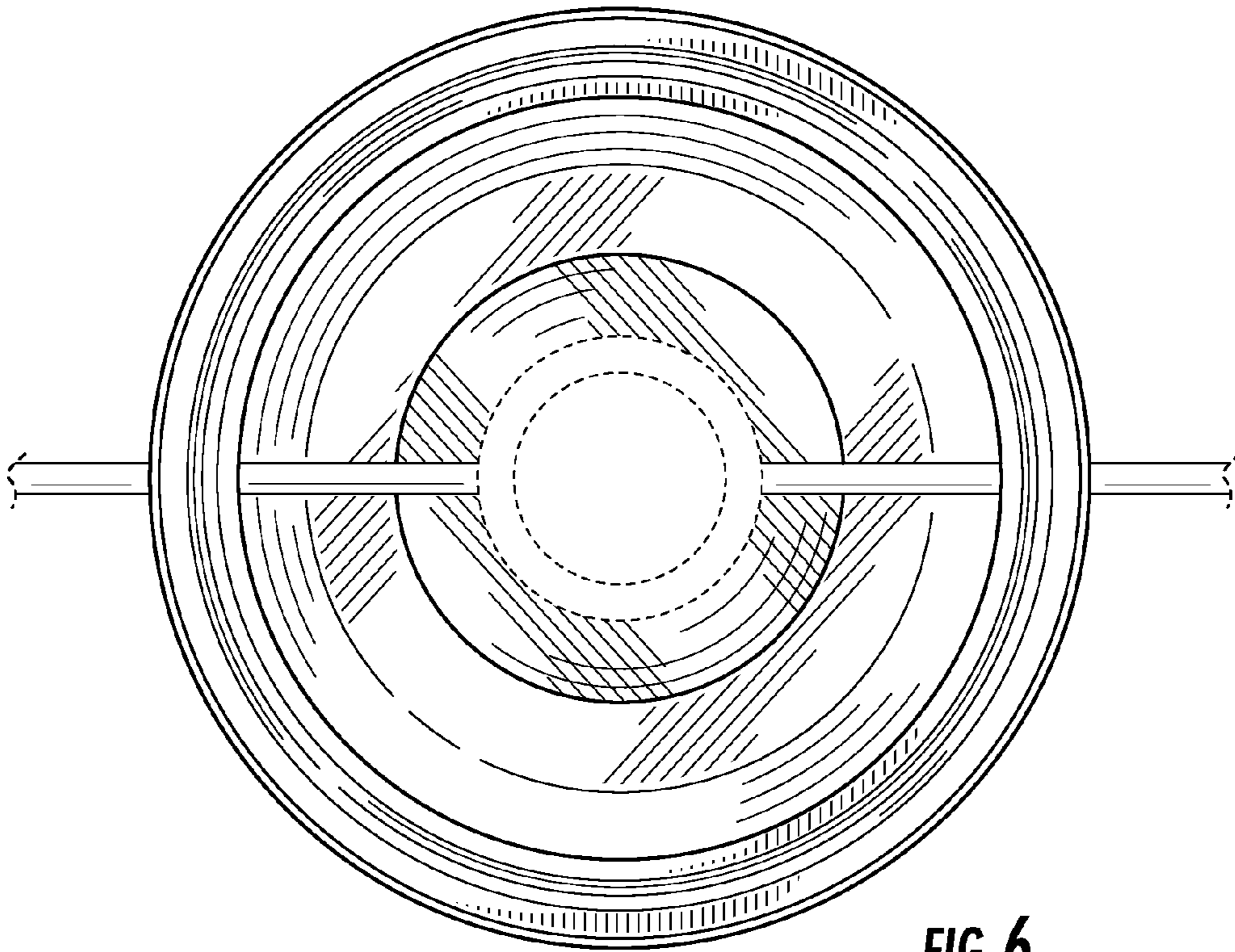


FIG. 6

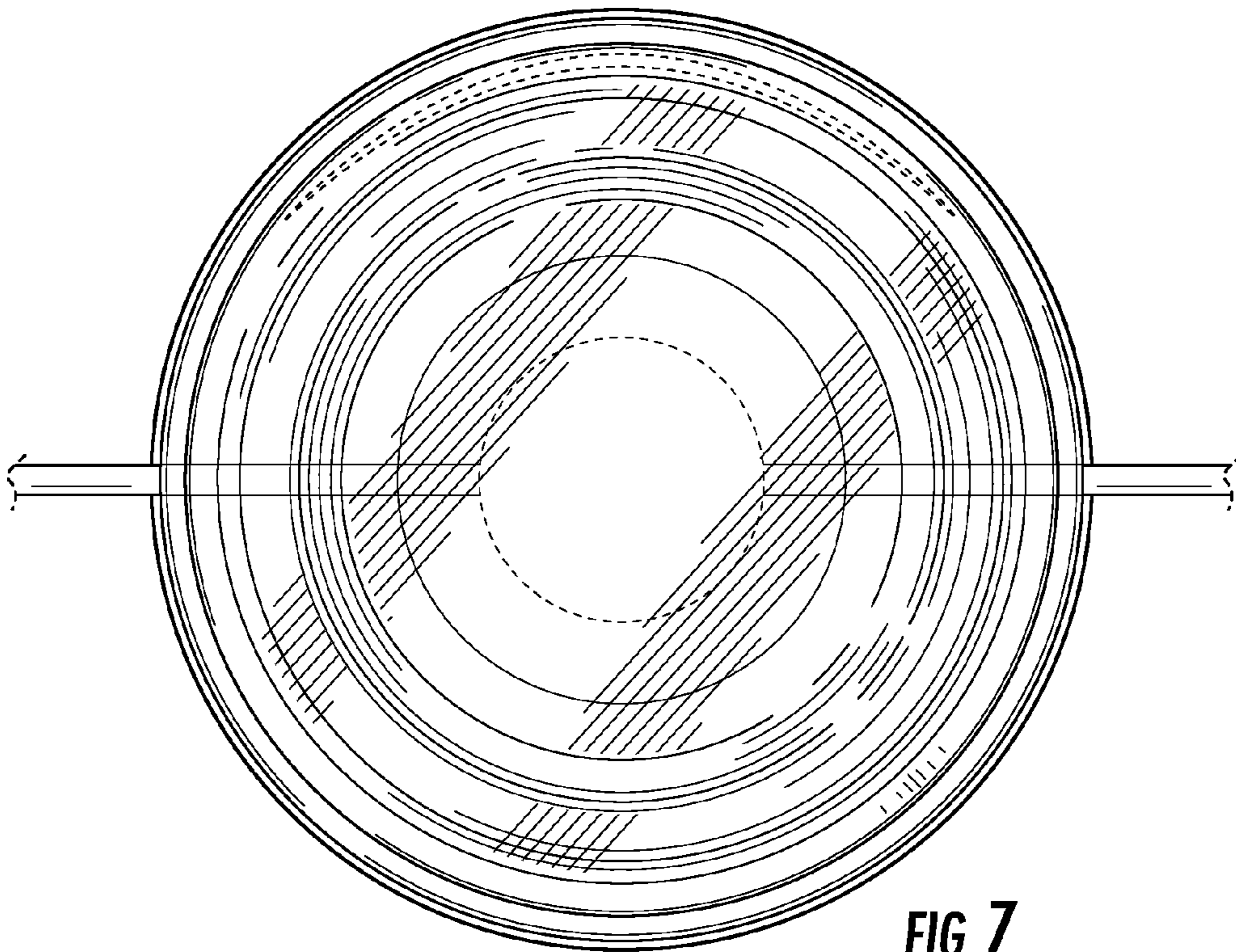


FIG. 7

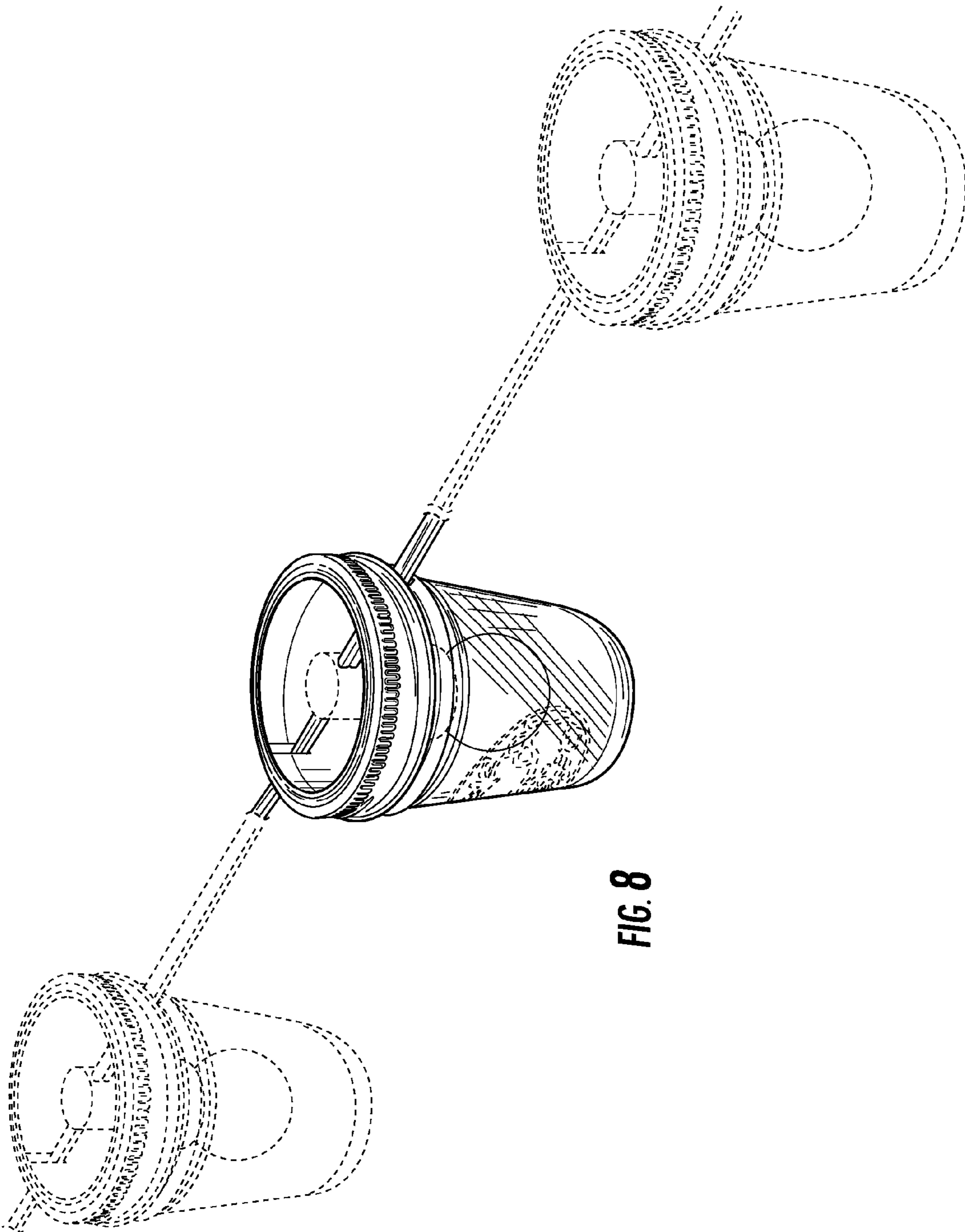


FIG. 8

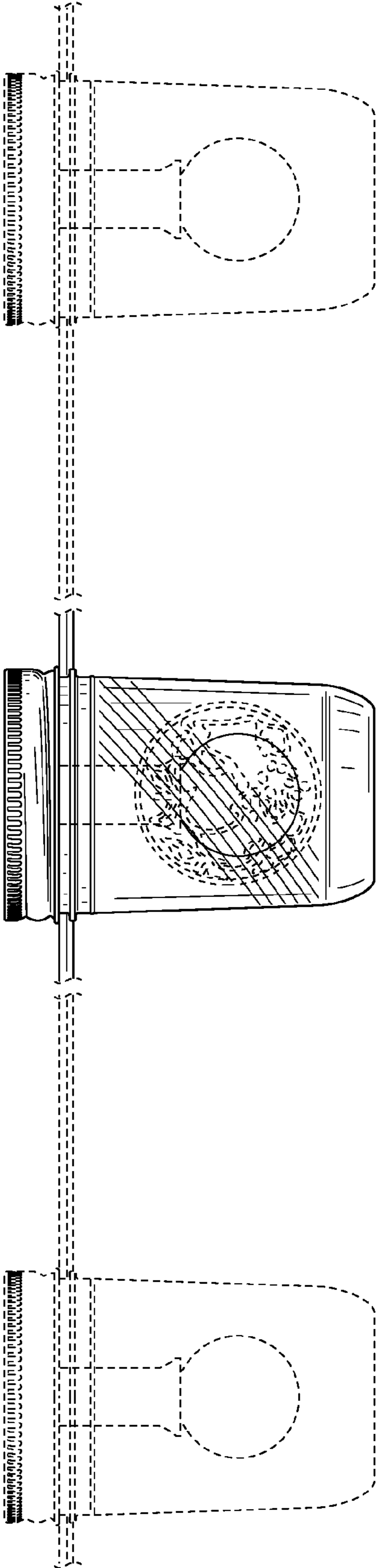


FIG. 9

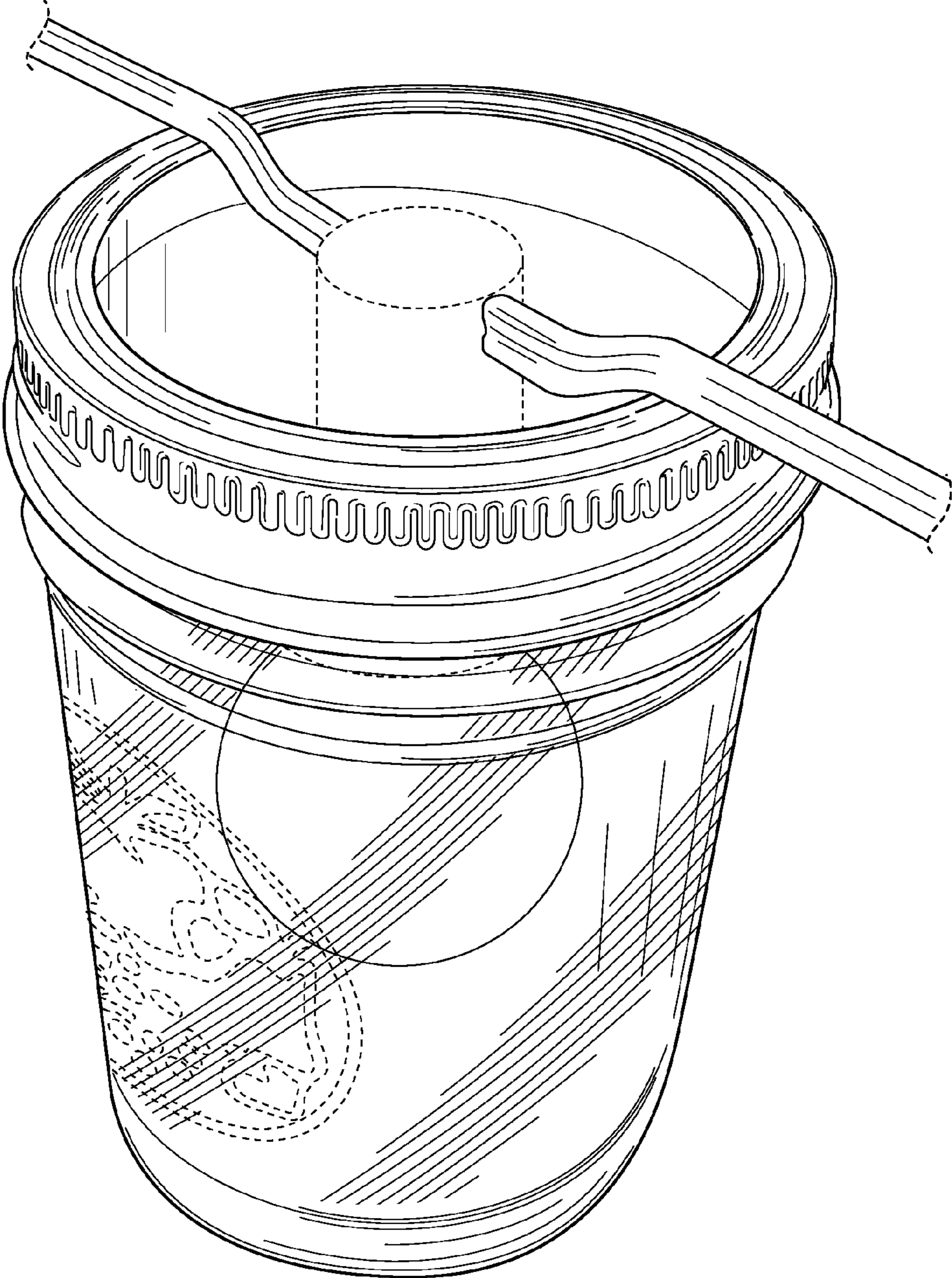


FIG. 10

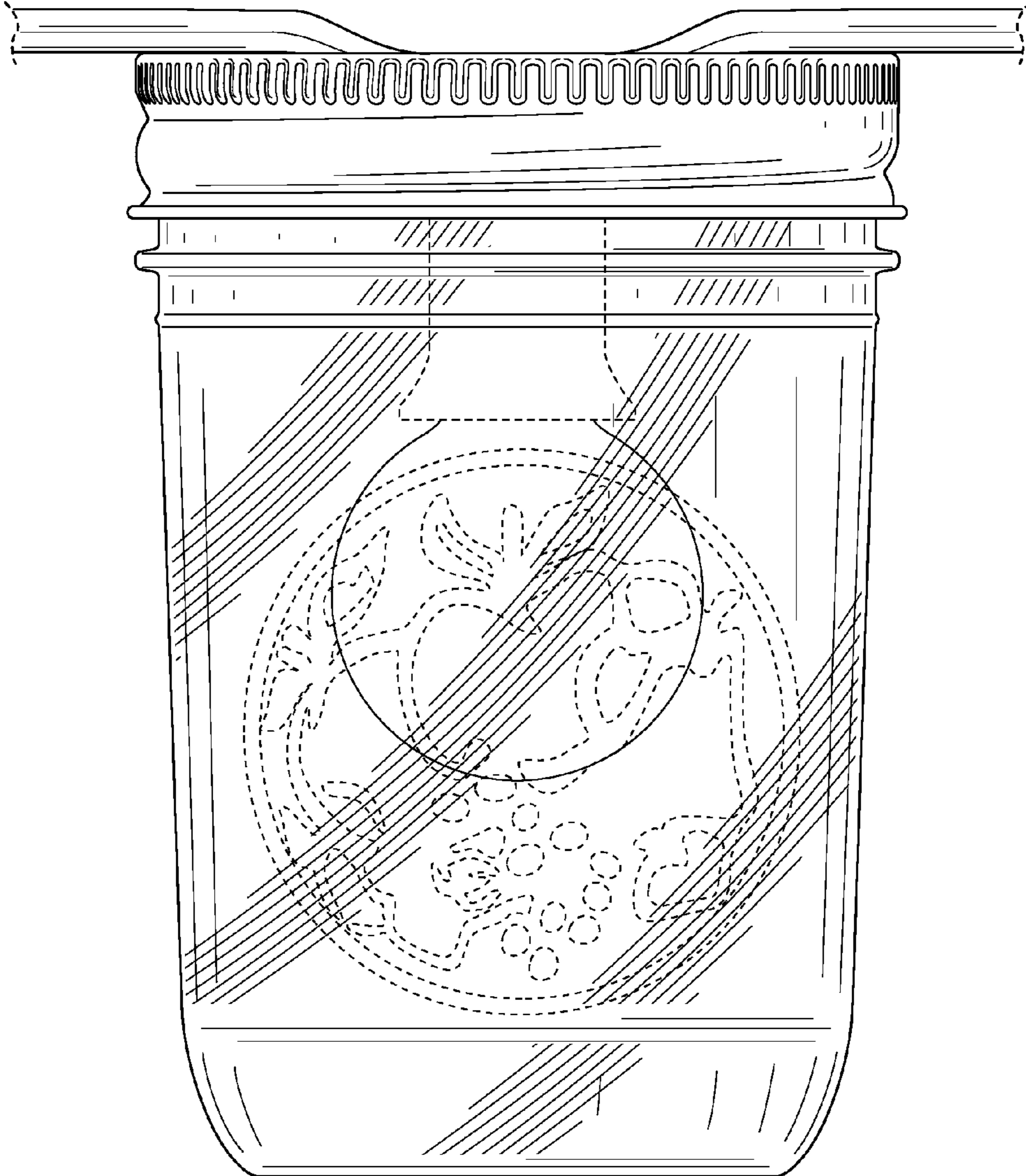


FIG. 11

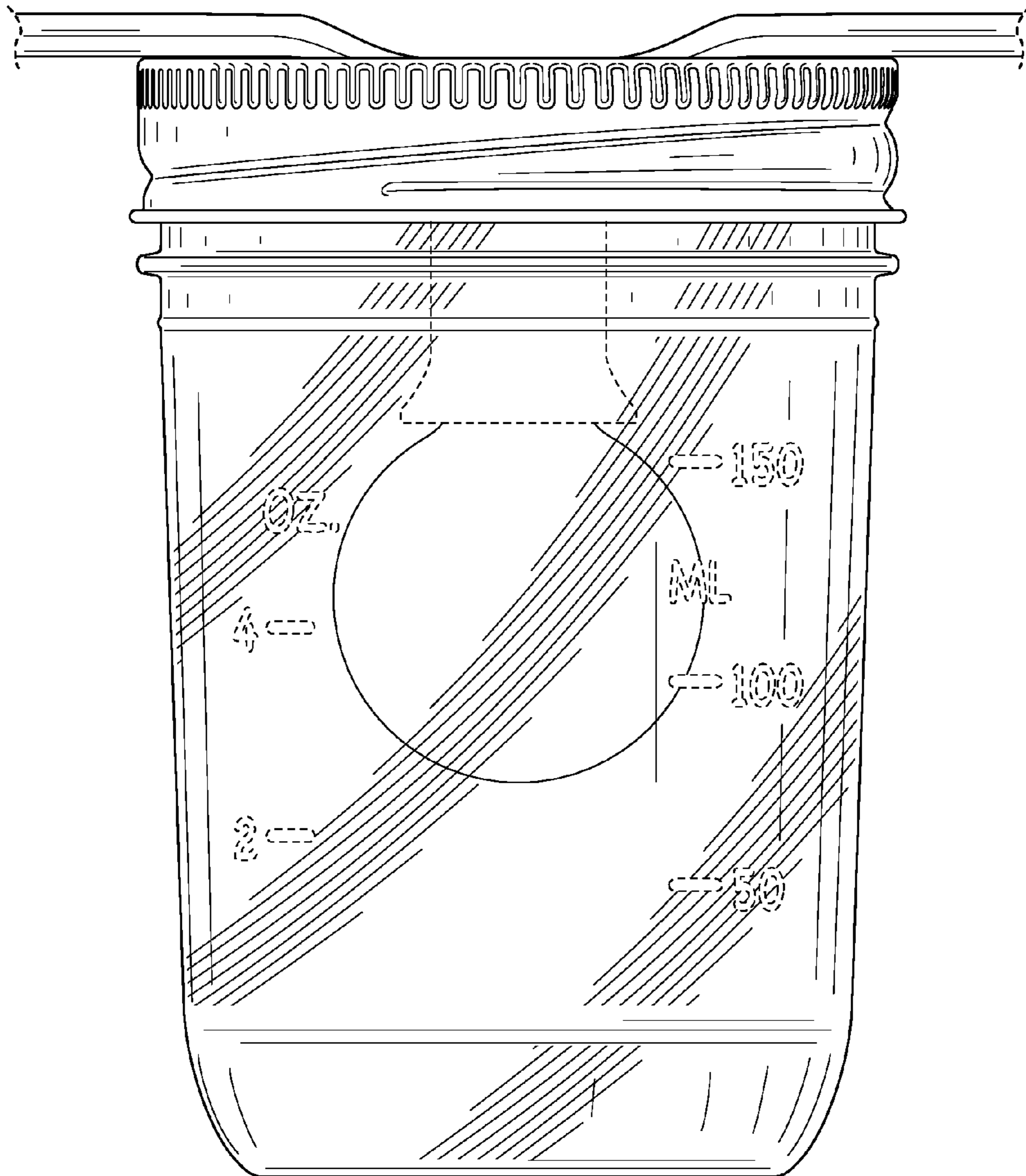


FIG. 12

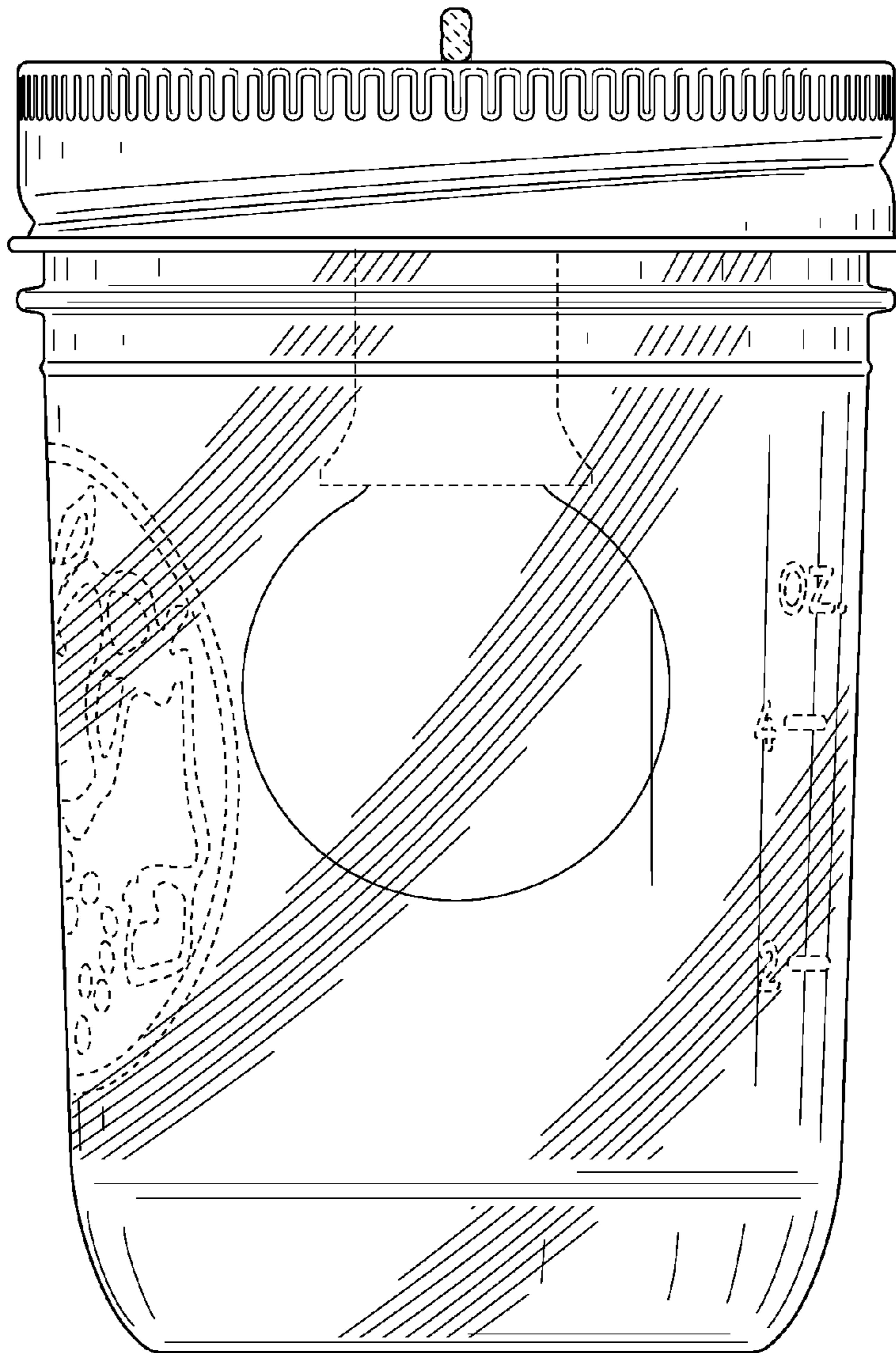


FIG. 13

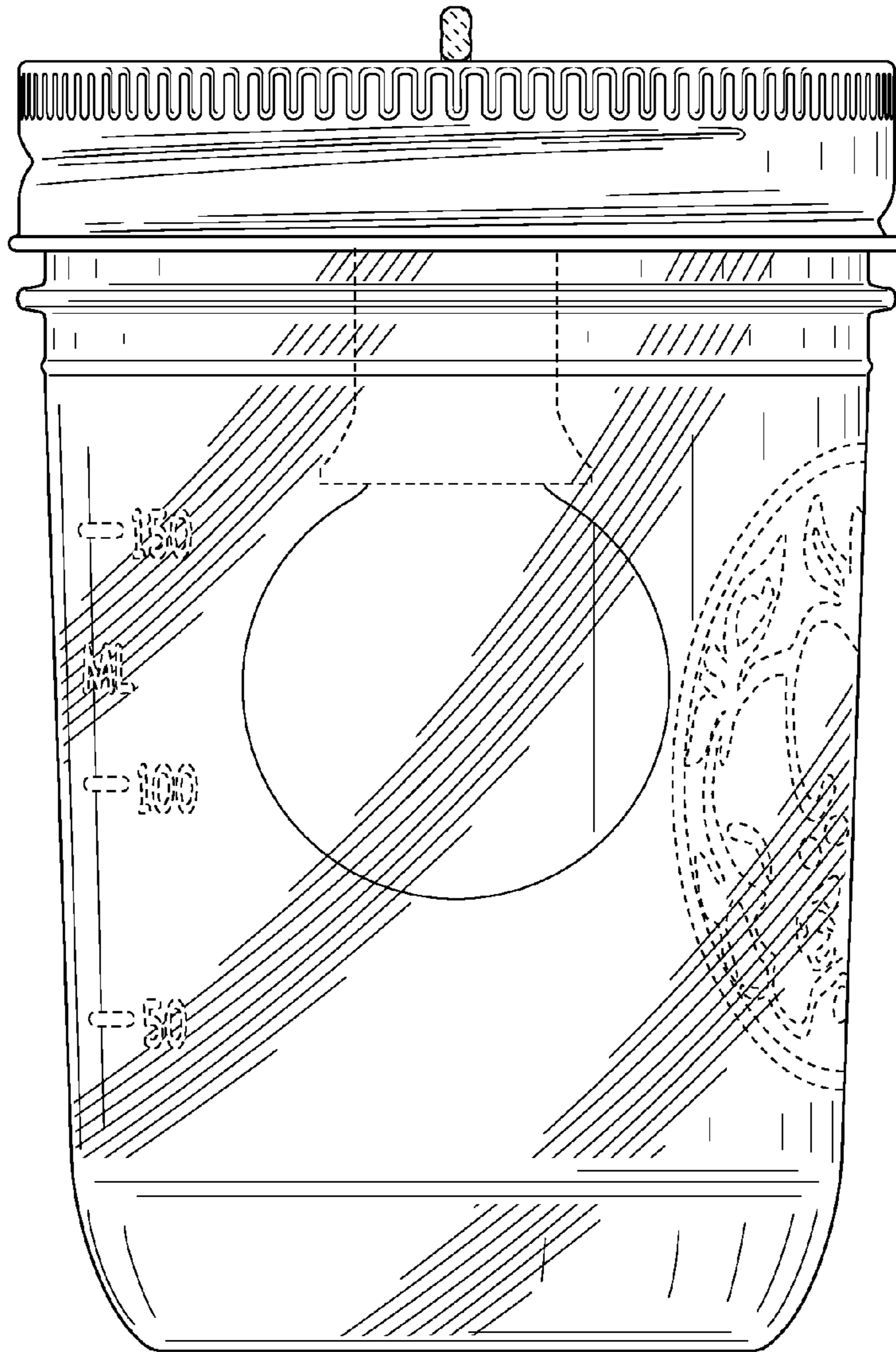


FIG. 14

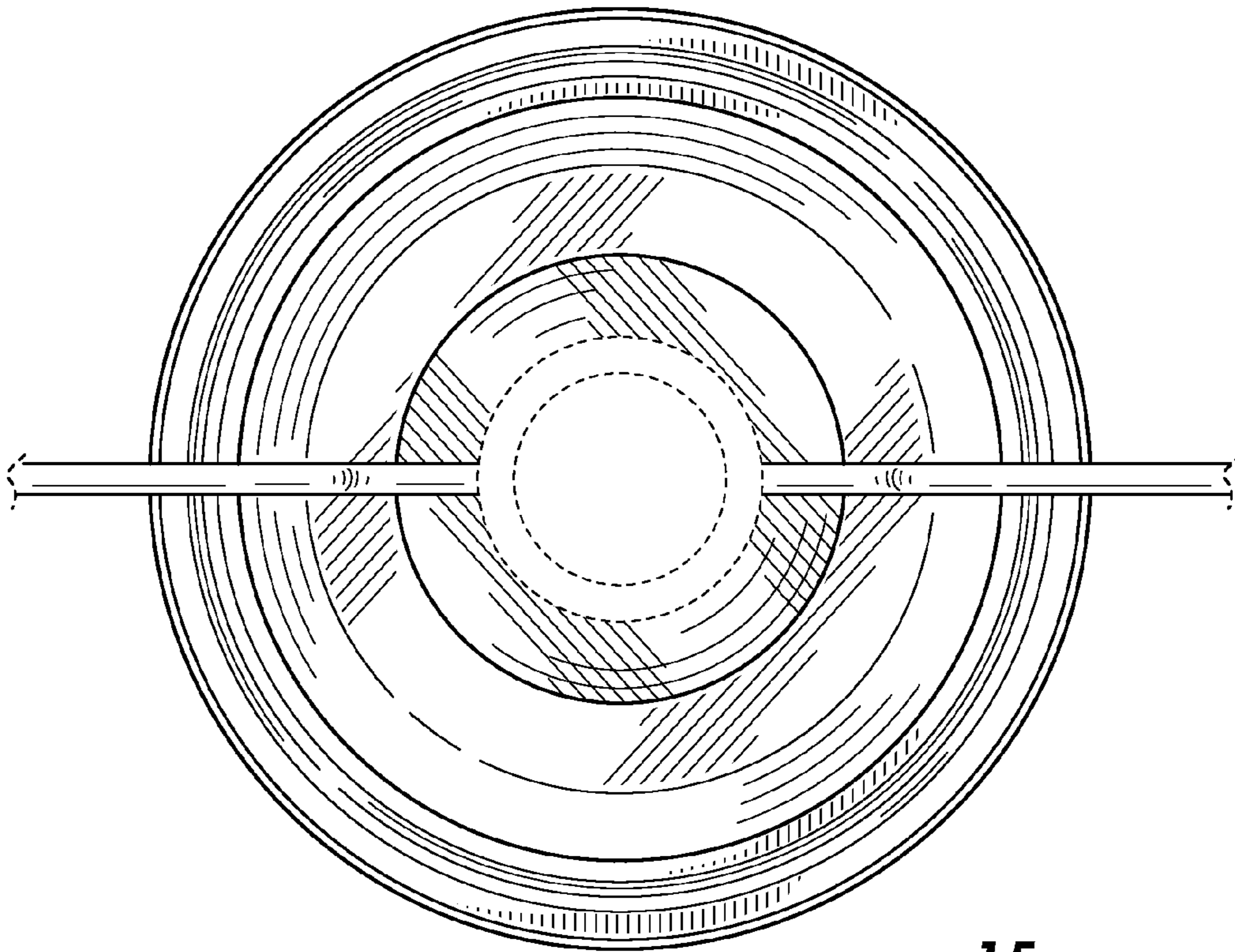


FIG. 15

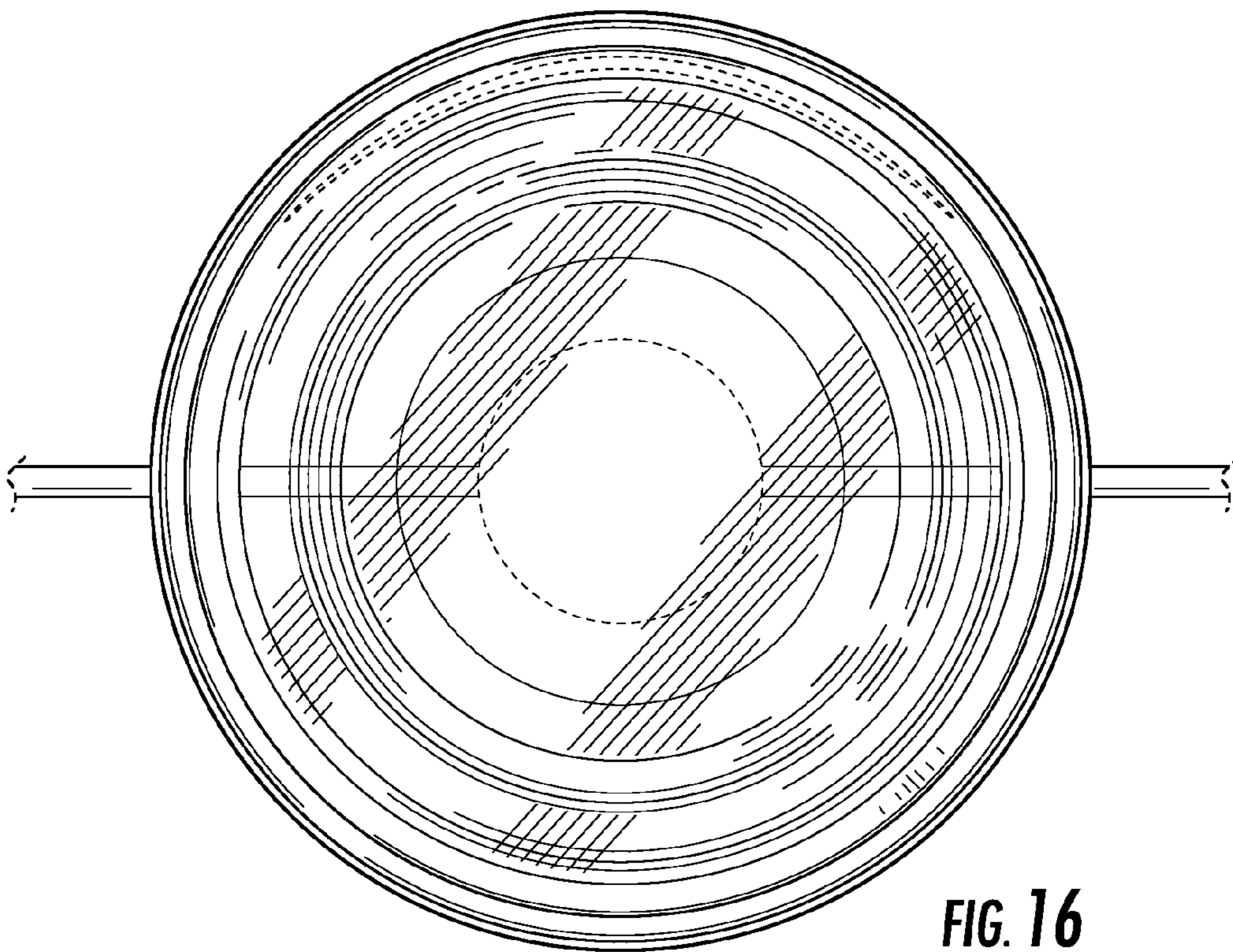


FIG. 16

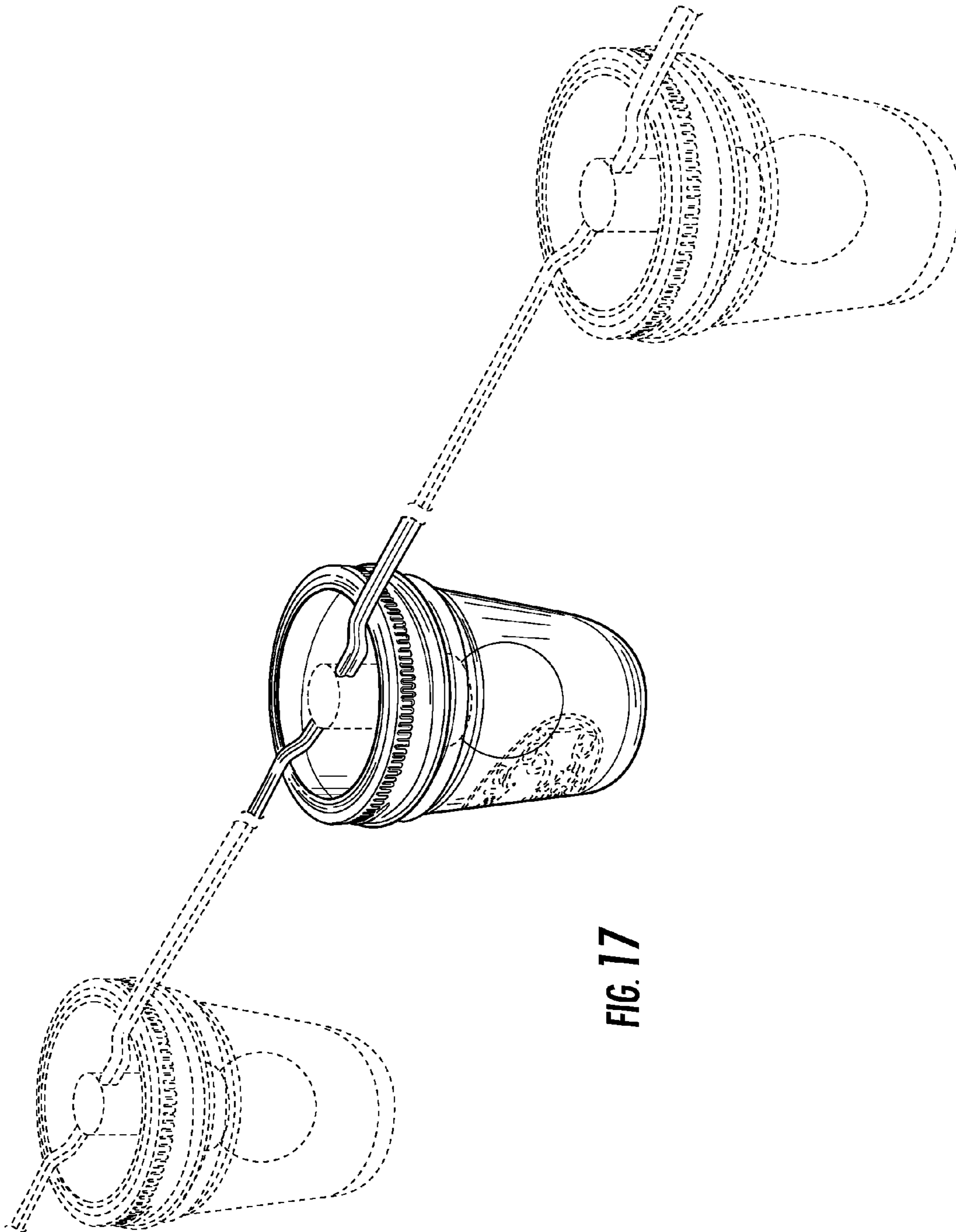


FIG. 17

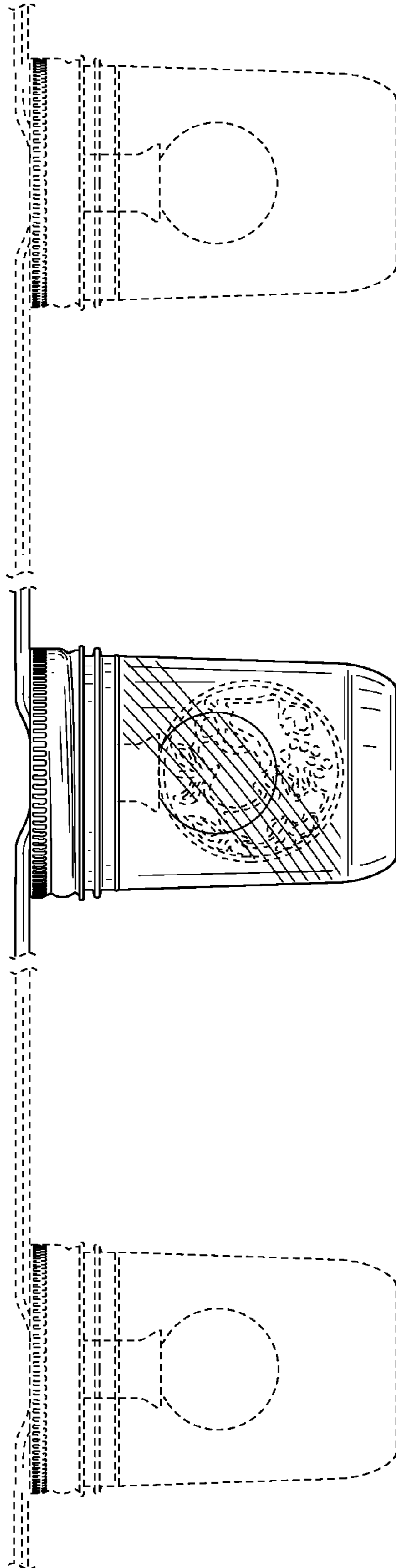


FIG. 78