

US00D648460S

(12) **United States Design Patent**  
**Kim et al.**

(10) **Patent No.:** **US D648,460 S**  
(45) **Date of Patent:** **\*\* Nov. 8, 2011**

(54) **PORTION OF A LED LAMP**  
(75) Inventors: **Jihoo Kim**, Seoul (KR); **Tae Young Choi**, Seoul (KR); **Dong Nyung Lim**, Seoul (KR); **Sung Ho Kim**, Seoul (KR); **Cheonjoo Kim**, Seoul (KR)

(73) Assignee: **LG Innotek Co., Ltd.**, Seoul (KR)

(\*\*) Term: **14 Years**

(21) Appl. No.: **29/389,860**

(22) Filed: **Apr. 18, 2011**

(30) **Foreign Application Priority Data**

Oct. 22, 2010 (KR) ..... 30-2010-0045749

(51) **LOC (9) Cl.** ..... **26-04**

(52) **U.S. Cl.** ..... **D26/2**

(58) **Field of Classification Search** ..... D26/1-4;  
313/313, 315, 316, 317, 318, 493; 315/52,  
315/53, 56, 57, 58

See application file for complete search history.

(56) **References Cited**

**U.S. PATENT DOCUMENTS**

D471,294 S \* 3/2003 Bobel ..... D26/2  
D487,939 S \* 3/2004 Smith ..... D26/2

D494,688 S \* 8/2004 Van de Ven et al. .... D26/2  
D499,820 S \* 12/2004 Foo ..... D26/2  
D500,872 S \* 1/2005 Foo ..... D26/2  
D534,665 S \* 1/2007 Egawa et al. .... D26/2  
D634,451 S \* 3/2011 de Visser ..... D26/2

\* cited by examiner

*Primary Examiner* — Marcus Jackson

(74) *Attorney, Agent, or Firm* — Lowe Hauptman Ham & Benner LLP

(57) **CLAIM**

The ornamental design for a portion of a LED lamp, as shown and described.

**DESCRIPTION**

FIG. 1 is a perspective view of a portion of a LED lamp showing my/our new design;  
FIG. 2 is a front elevational view thereof;  
FIG. 3 is a rear elevational view thereof;  
FIG. 4 is a left side elevational view thereof;  
FIG. 5 is a right side elevational view thereof;  
FIG. 6 is a top plan view thereof; and,  
FIG. 7 is a bottom plan view thereof.  
LED is installed in the light emitting part.

**1 Claim, 4 Drawing Sheets**

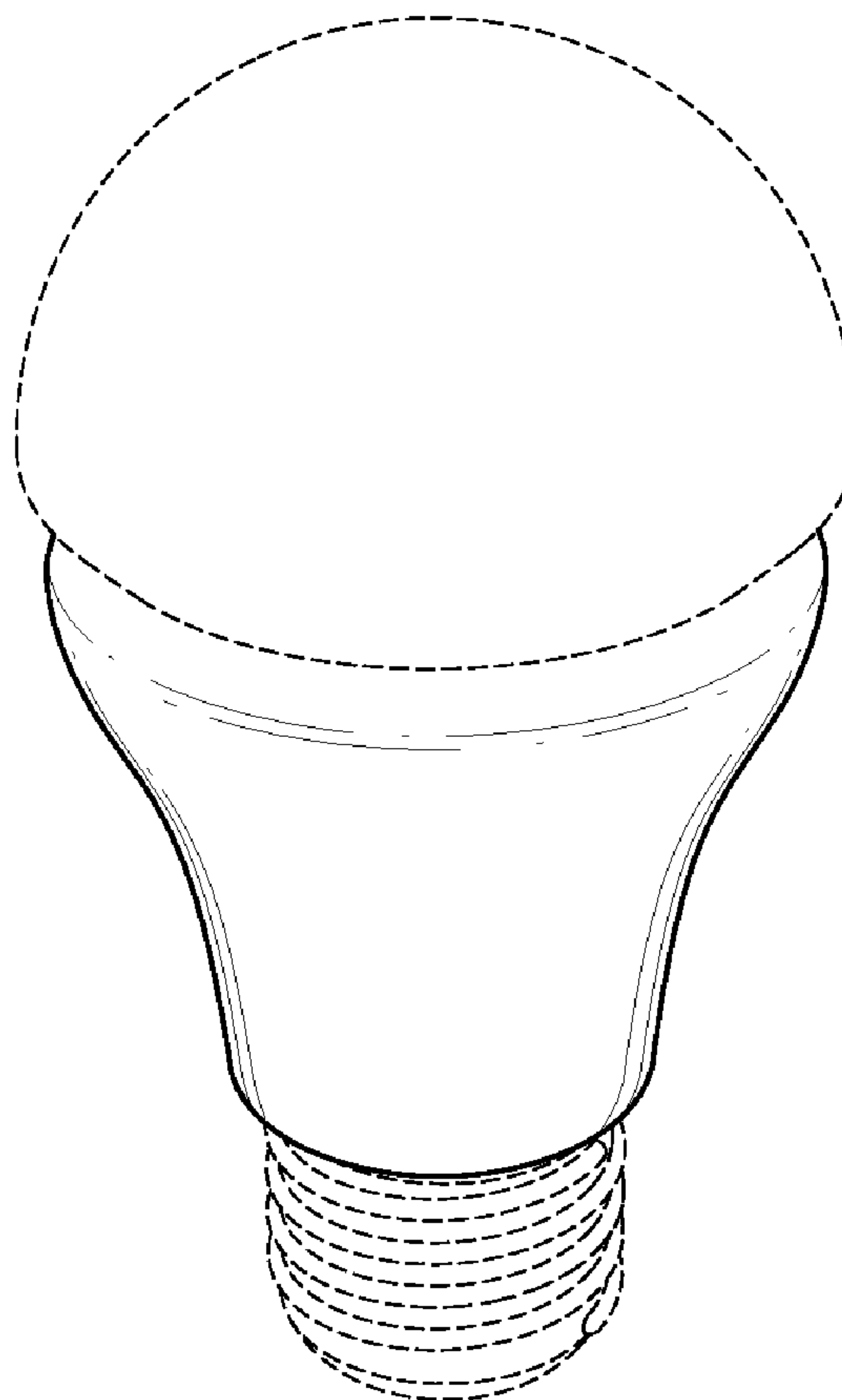


FIG. 1

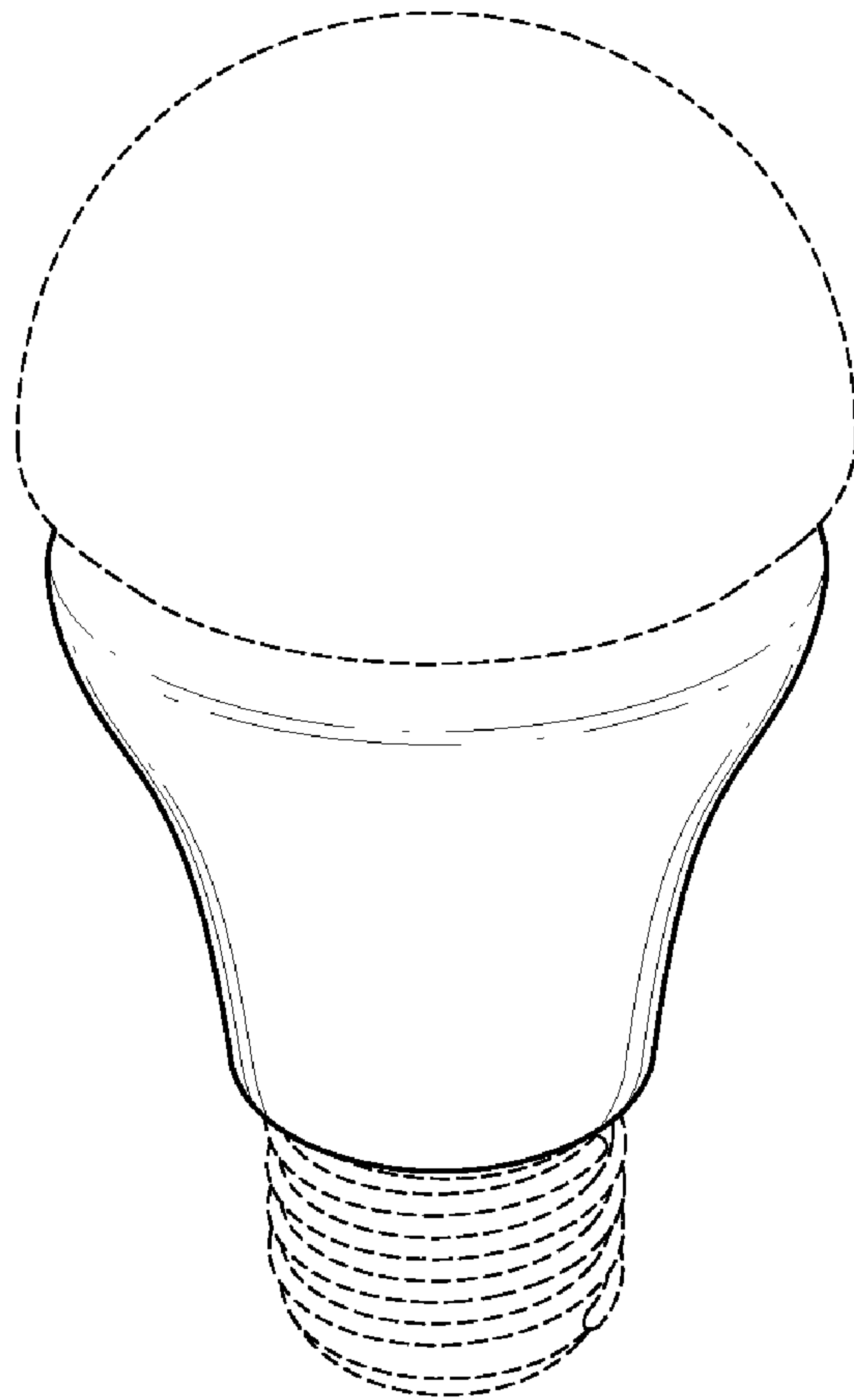


FIG. 2

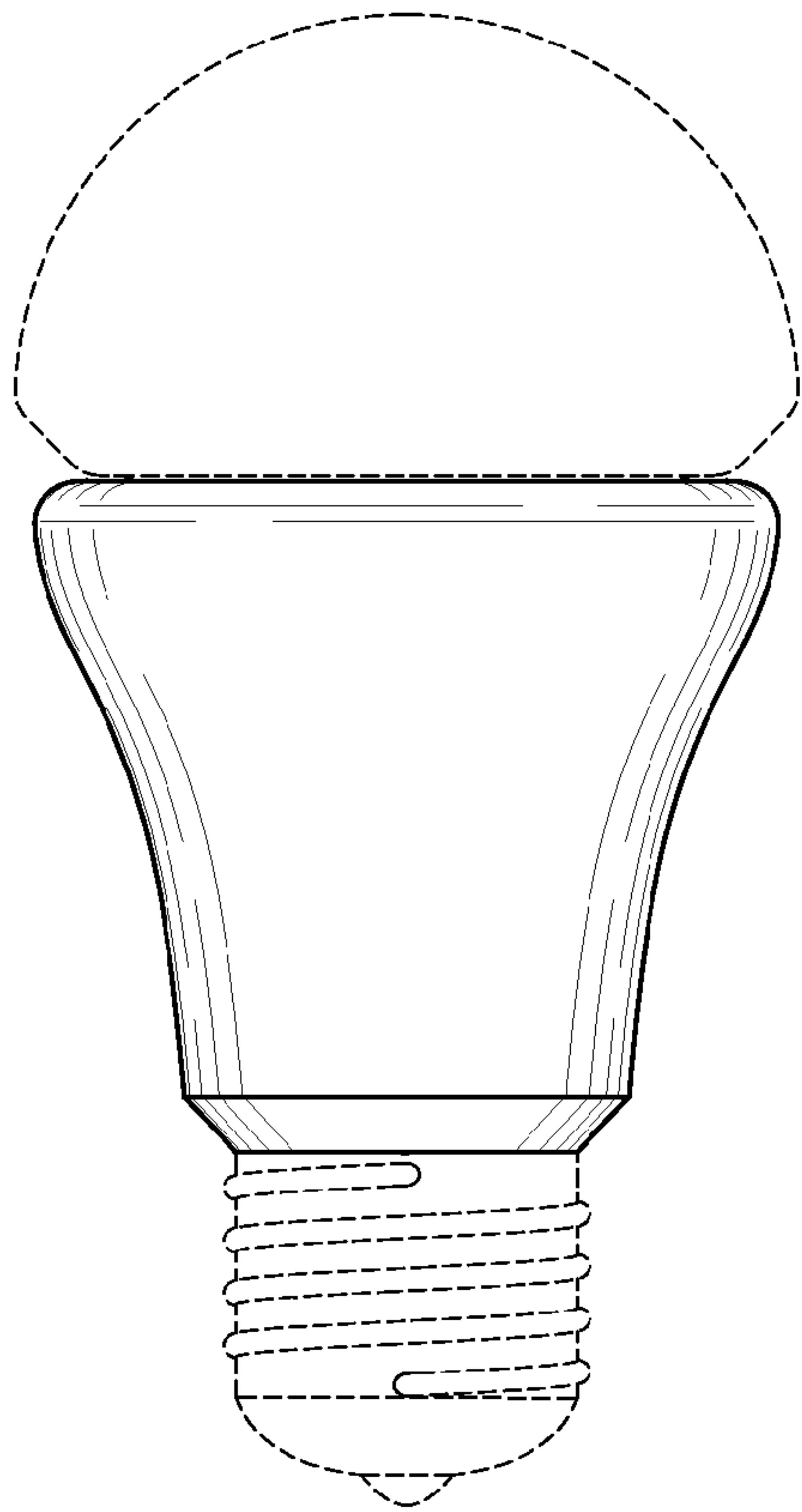


FIG. 3

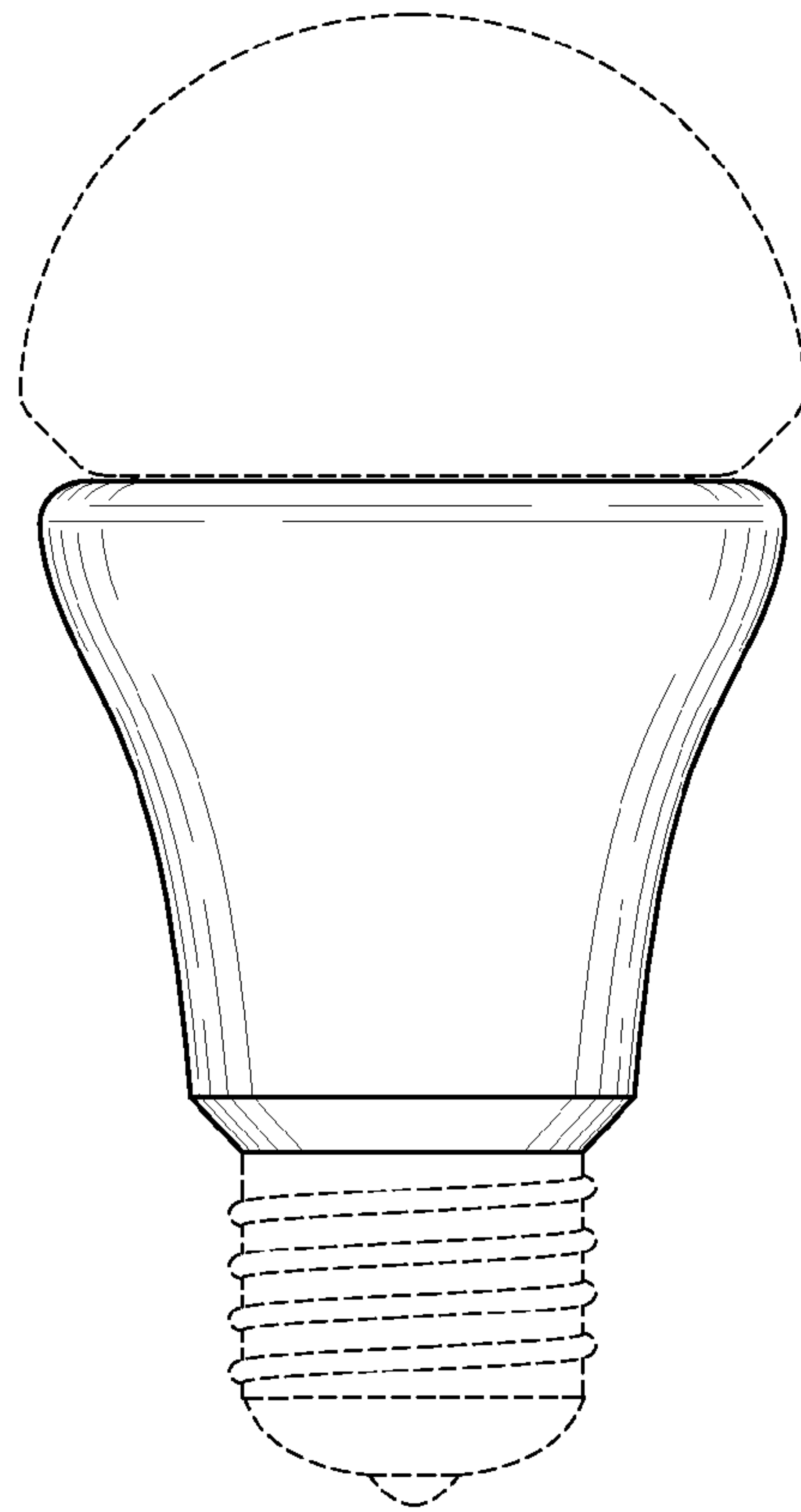


FIG. 4

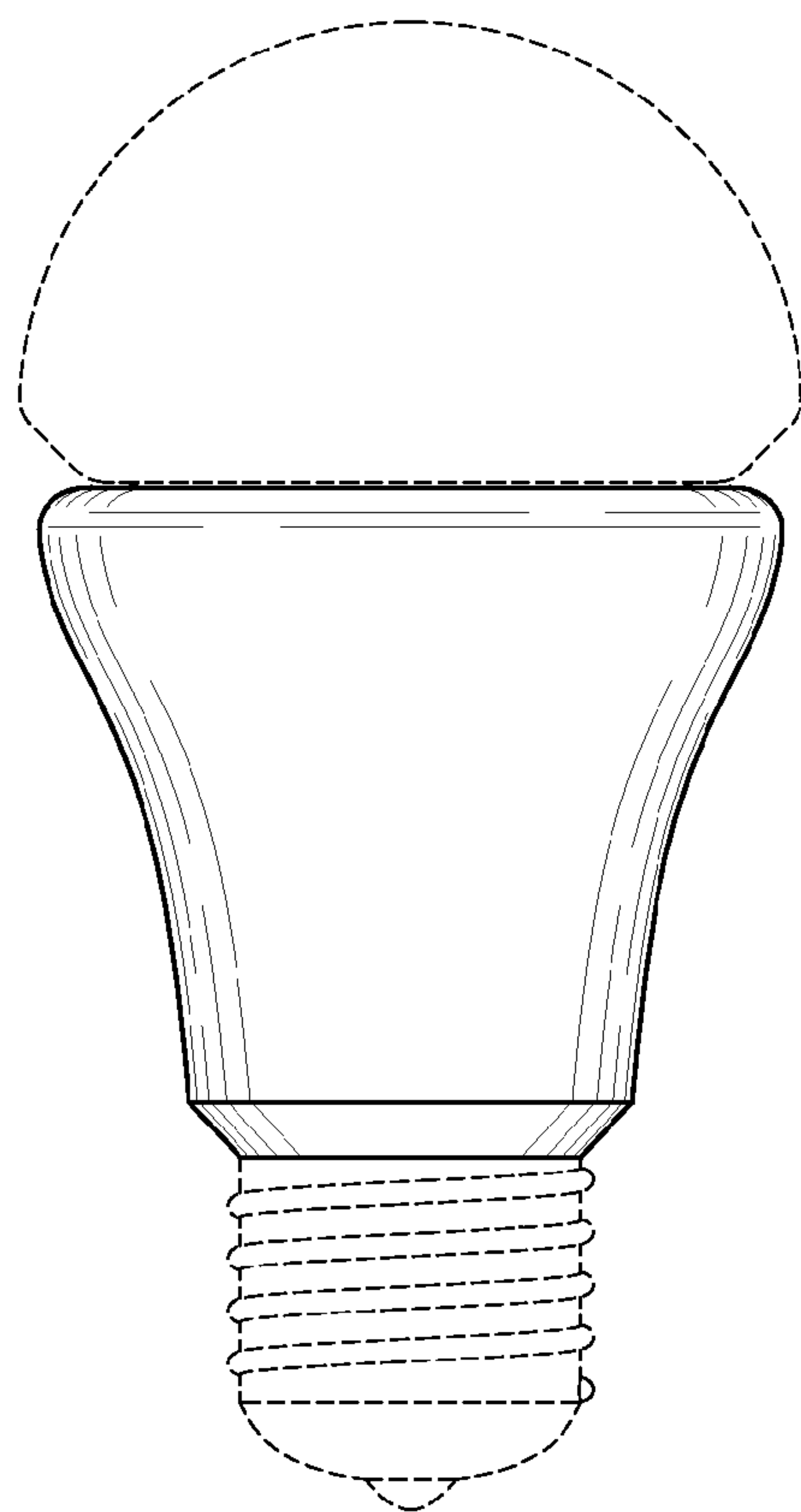


FIG. 5

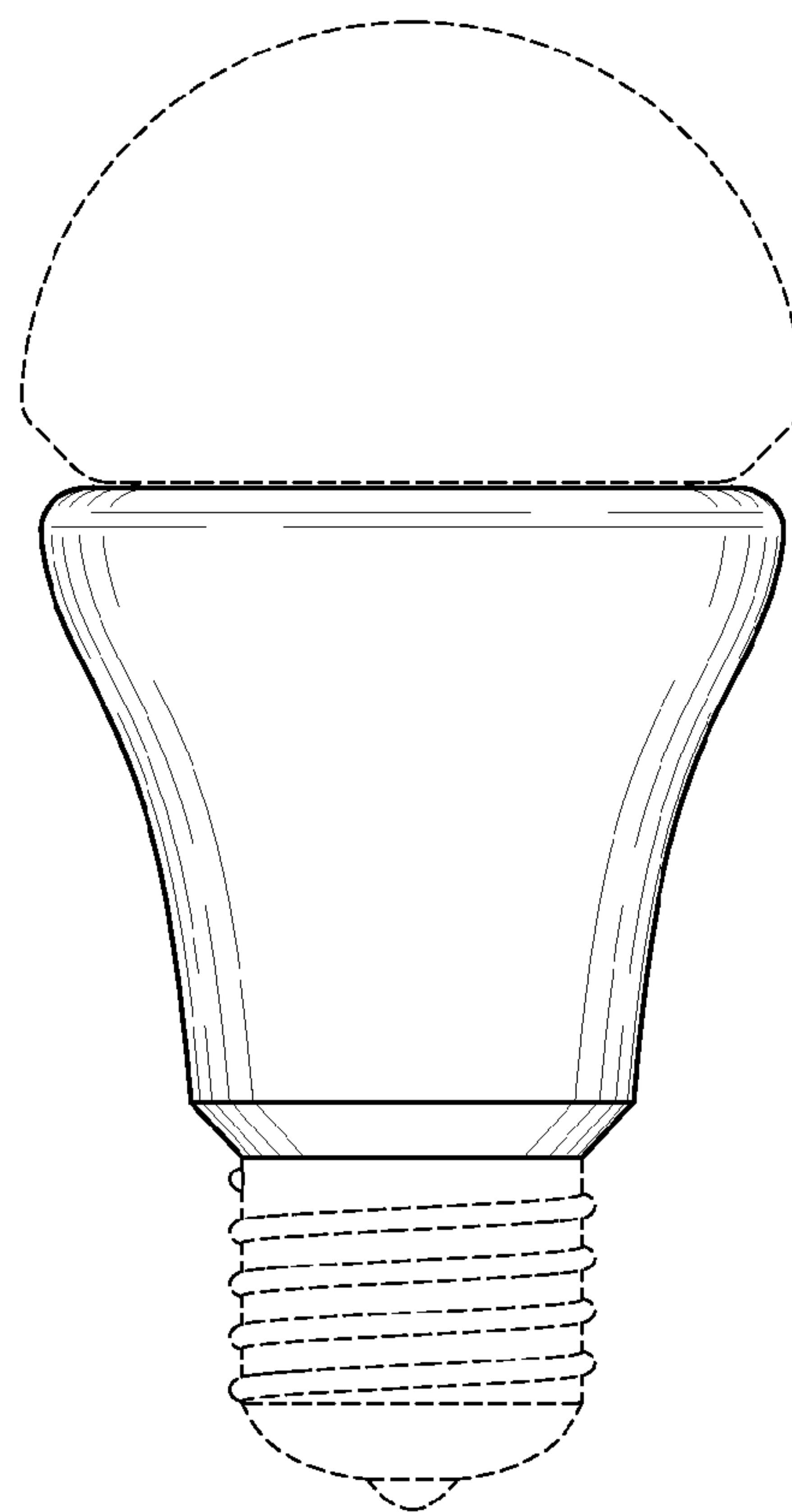


FIG. 6

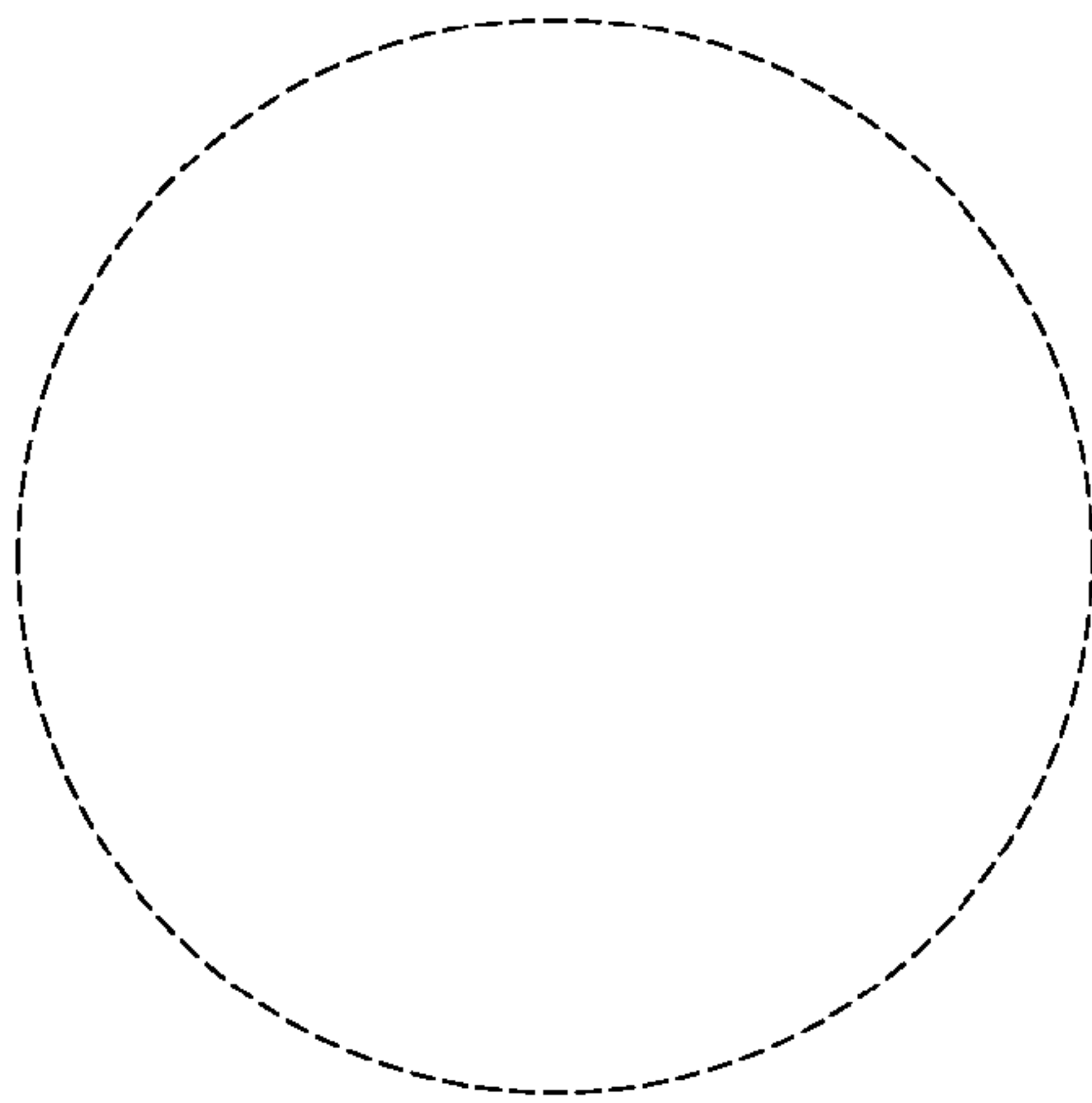


FIG. 7

