



US00D648453S

(12) **United States Design Patent**
Eckert et al.

(10) **Patent No.:** **US D648,453 S**

(45) **Date of Patent:** **** Nov. 8, 2011**

(54) **LED LAMP**

(75) Inventors: **Klaus Eckert**, Herbrechtingen (DE);
Moritz Engl, Regensburg (DE); **Juergen Komar**, Rott am Inn (DE)

(73) Assignee: **OSRAM AG**, Munich (DE)

(**) Term: **14 Years**

(21) Appl. No.: **29/376,509**

(22) Filed: **Oct. 8, 2010**

(30) **Foreign Application Priority Data**

Apr. 9, 2010 (EM) 001210686

(51) **LOC (9) Cl.** **26-04**

(52) **U.S. Cl.** **D26/2**

(58) **Field of Classification Search** D26/1-4;
313/313, 315, 316, 317, 318, 493; 315/52,
315/53, 56, 57, 58

See application file for complete search history.

(56) **References Cited**

U.S. PATENT DOCUMENTS

D545,457 S *	6/2007	Chen	D26/2
D572,385 S *	7/2008	Mazzoquette et al.	D26/2
D584,428 S *	1/2009	Li et al.	D26/2
D587,384 S *	2/2009	Wei	D26/2
D592,766 S *	5/2009	Zhu et al.	D26/2
D601,275 S *	9/2009	Ho et al.	D26/2
D607,587 S *	1/2010	Ko	D26/2
D610,275 S *	2/2010	Cho	D26/2
D612,956 S *	3/2010	Moon	D26/2
D613,433 S *	4/2010	Moon	D26/2

* cited by examiner

Primary Examiner — Marcus Jackson

(57) **CLAIM**

The ornamental design for an LED lamp, as shown and described.

DESCRIPTION

FIG. 1 is a perspective view of an LED lamp
FIG. 2 is a front view of the LED lamp
FIG. 3 is a right side view of the LED lamp
FIG. 4 is a bottom view of the LED lamp; and,
FIG. 5 is a top view of the LED lamp.

1 Claim, 5 Drawing Sheets

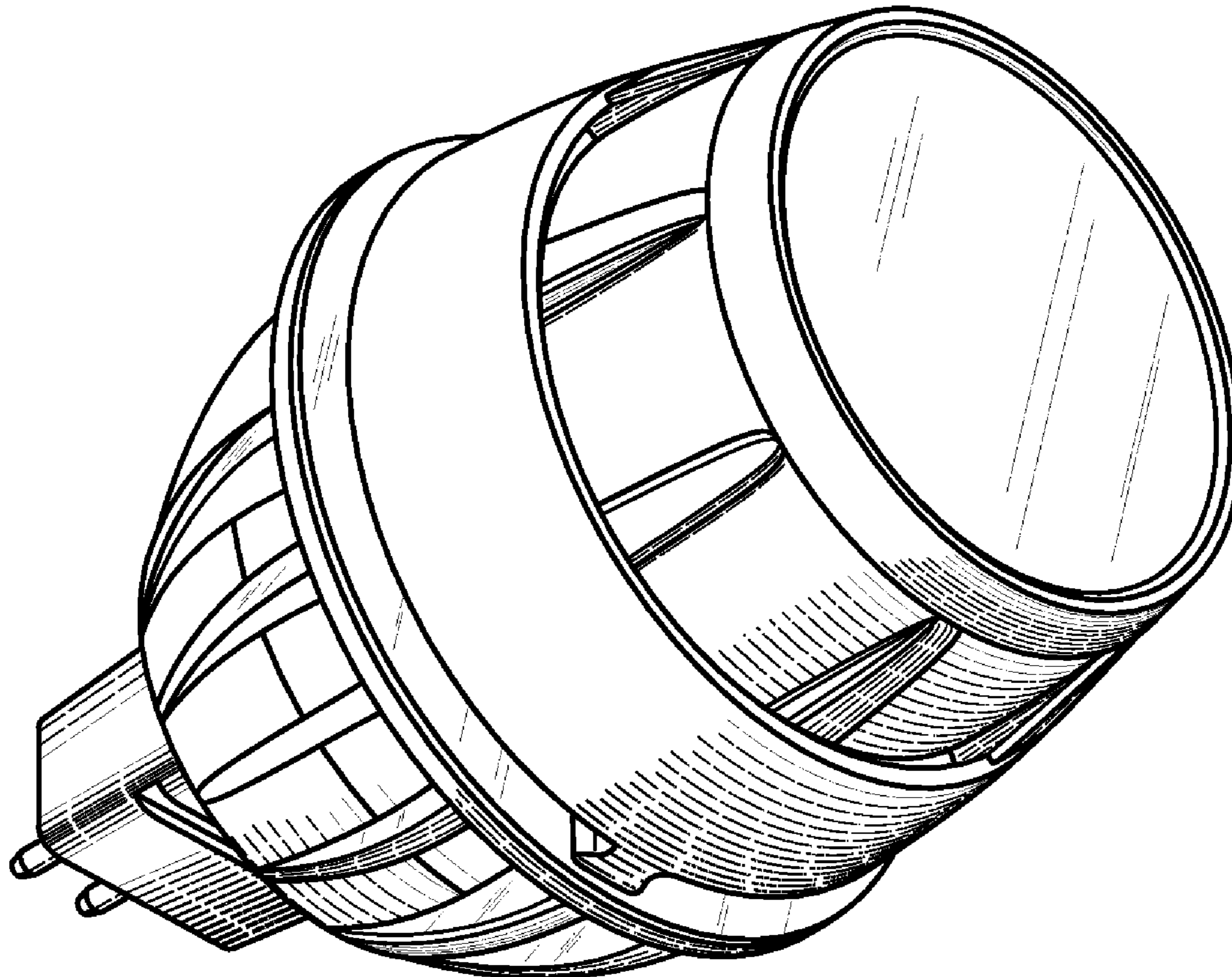


FIG 1

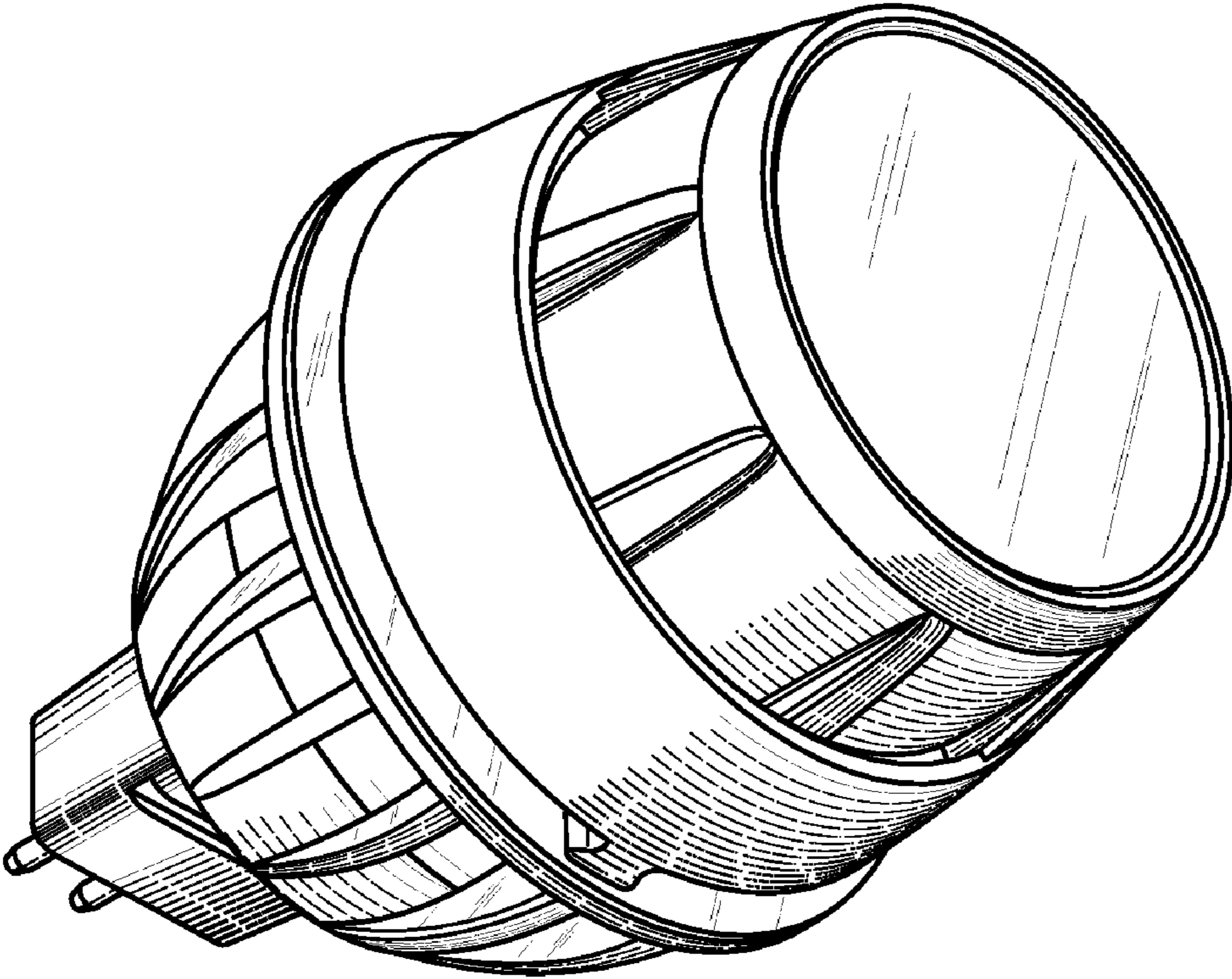


FIG 2

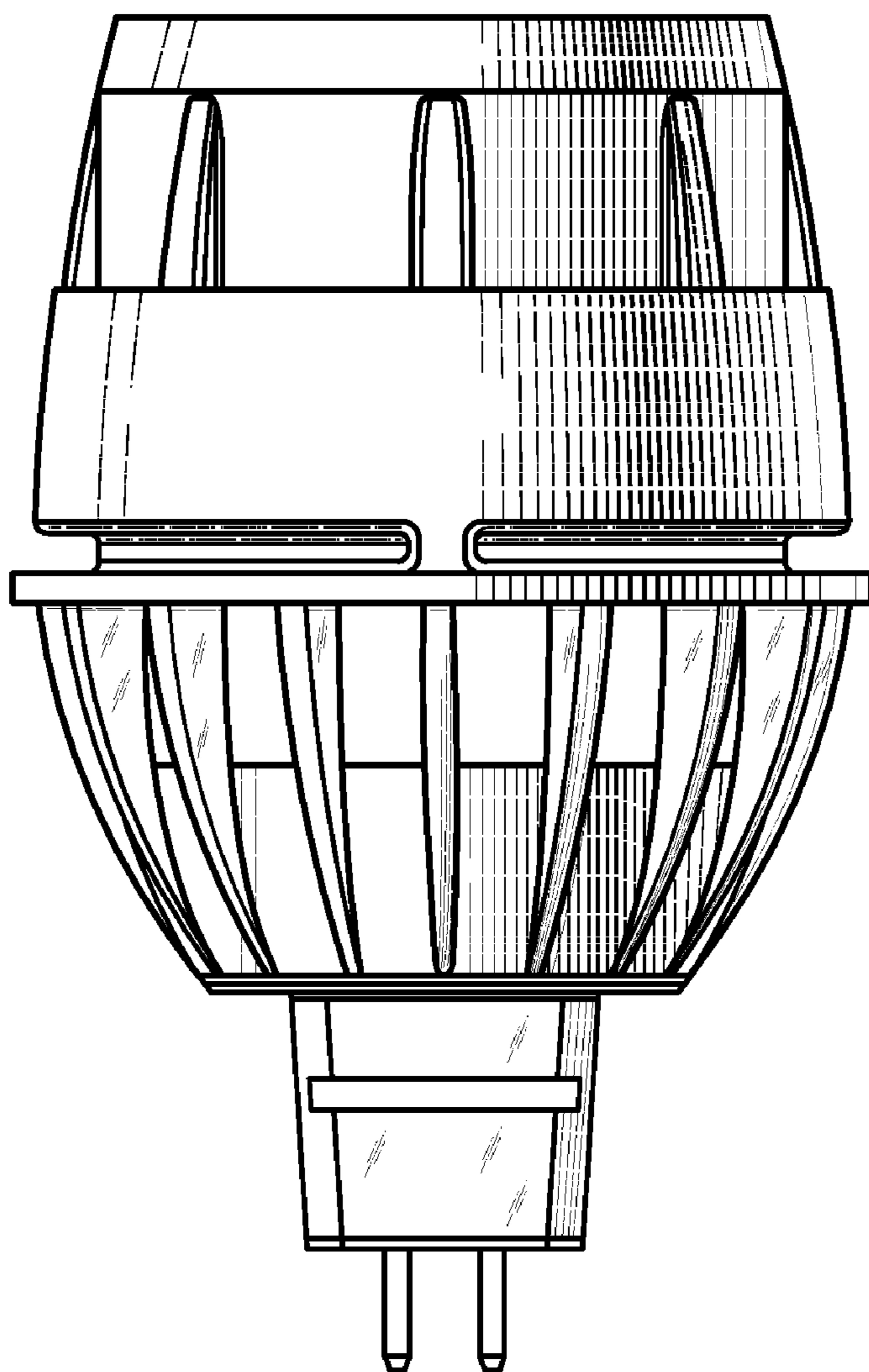


FIG 3

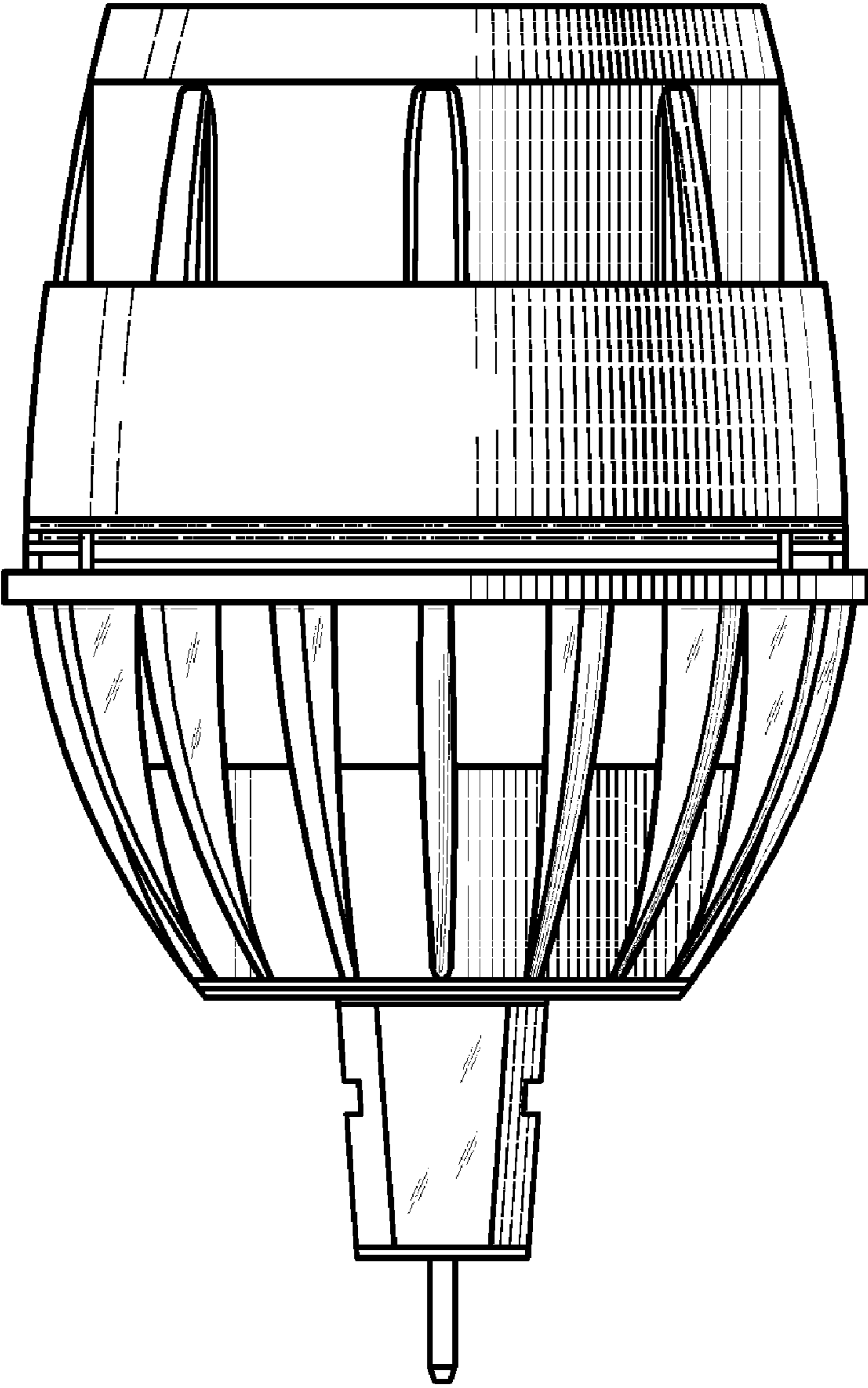


FIG 4

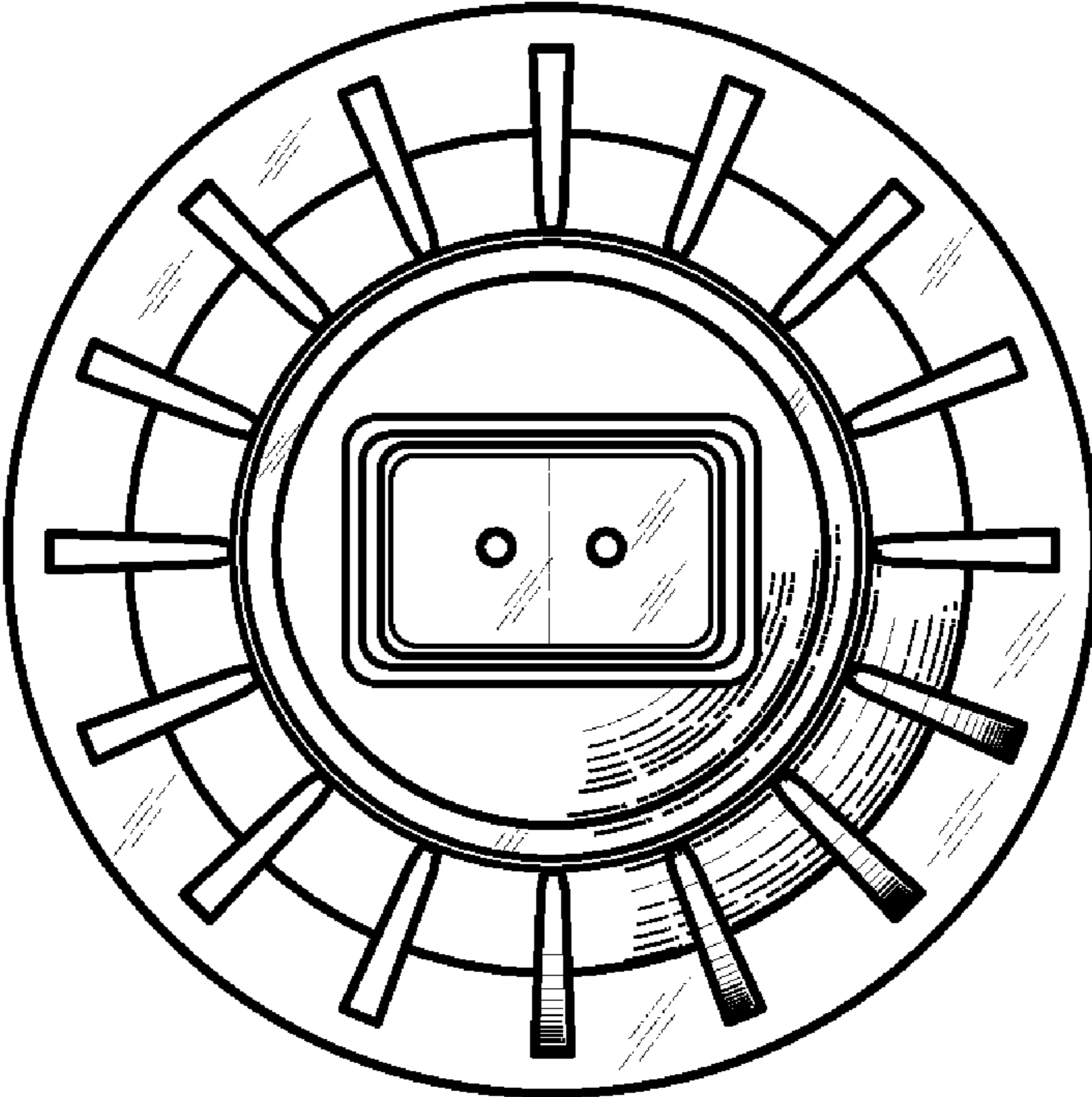


FIG 5

