

US00D648452S

(12) **United States Design Patent**
Breidenassel et al.

(10) **Patent No.:** **US D648,452 S**
(45) **Date of Patent:** **** Nov. 8, 2011**

(54) **LED LAMP**

D623,778 S * 9/2010 Moon et al. D26/2
D630,349 S * 1/2011 Pei et al. D26/2
D634,031 S * 3/2011 de Visser et al. D26/2

(75) Inventors: **Nicole Breidenassel**, Regensburg (DE);
Klaus Eckert, Herbrechtigen (DE);
Markus Hofmann, Bad Abbach (DE);
Juergen Komar, Rott am Inn (DE);
Fabian Reingruber, Munich (DE)

FOREIGN PATENT DOCUMENTS

CN 301203779 S 5/2010
CN 301221670 S 5/2010
CN 301239515 S 5/2010
CN 301248103 S 6/2010
CN 301256098 S 6/2010
CN 301276981 S 6/2010
EM 001021000 9/2008
EM 001067425 12/2008
JP 1380125 1/2010
JP 1380378 1/2010
JP 1380379 1/2010
JP 1380380 1/2010
JP 1380381 1/2010
JP 1387597 4/2010

(73) Assignee: **Osram AG**, Munich (DE)

(**) Term: **14 Years**

(21) Appl. No.: **29/376,504**

(22) Filed: **Oct. 8, 2010**

(30) **Foreign Application Priority Data**

Apr. 9, 2010 (EM) 001210678

(51) **LOC (9) Cl.** **26-04**

(52) **U.S. Cl.** **D26/2**

(58) **Field of Classification Search** D26/1-4;
313/313, 315, 316, 317, 318, 493; 315/52,
315/53, 56, 57, 58

See application file for complete search history.

(56) **References Cited**

U.S. PATENT DOCUMENTS

D581,556 S * 11/2008 To et al. D26/2
D590,523 S * 4/2009 Takahashi D26/2
D600,367 S 9/2009 Bertram et al.
D600,368 S * 9/2009 Bertram et al. D26/2
D619,739 S 7/2010 Hofmann et al.

* cited by examiner

Primary Examiner — Marcus Jackson

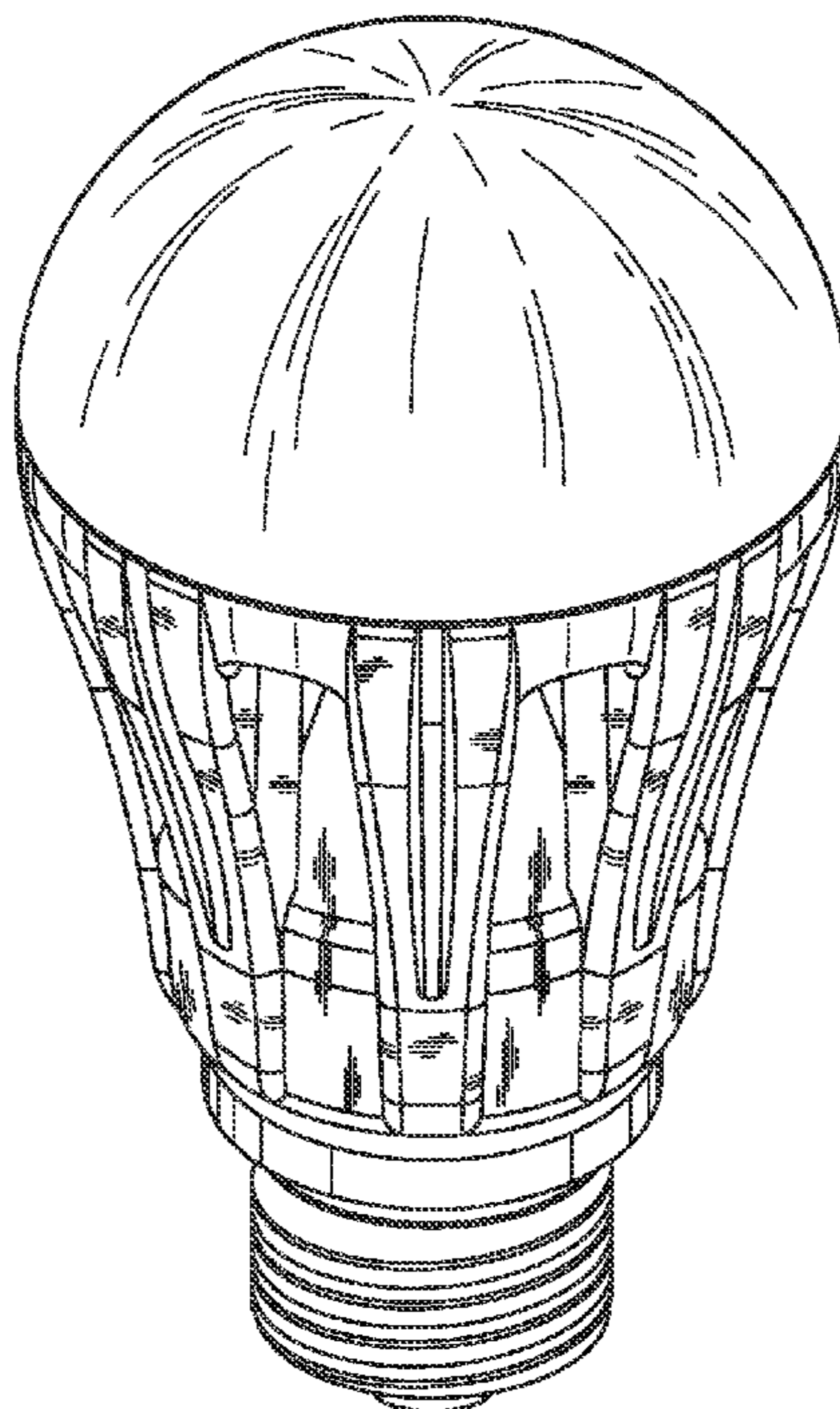
(57) **CLAIM**

The ornamental design for an LED lamp, as shown and described.

DESCRIPTION

FIG. 1 is a perspective view of a LED lamp
FIG. 2 is a front view of the LED lamp
FIG. 3 is a right side view of the LED lamp
FIG. 4 is a back view of the LED lamp
FIG. 5 is a left side view of the LED lamp
FIG. 6 is a bottom view of the LED lamp; and,
FIG. 7 is a top view of the LED lamp.

1 Claim, 6 Drawing Sheets



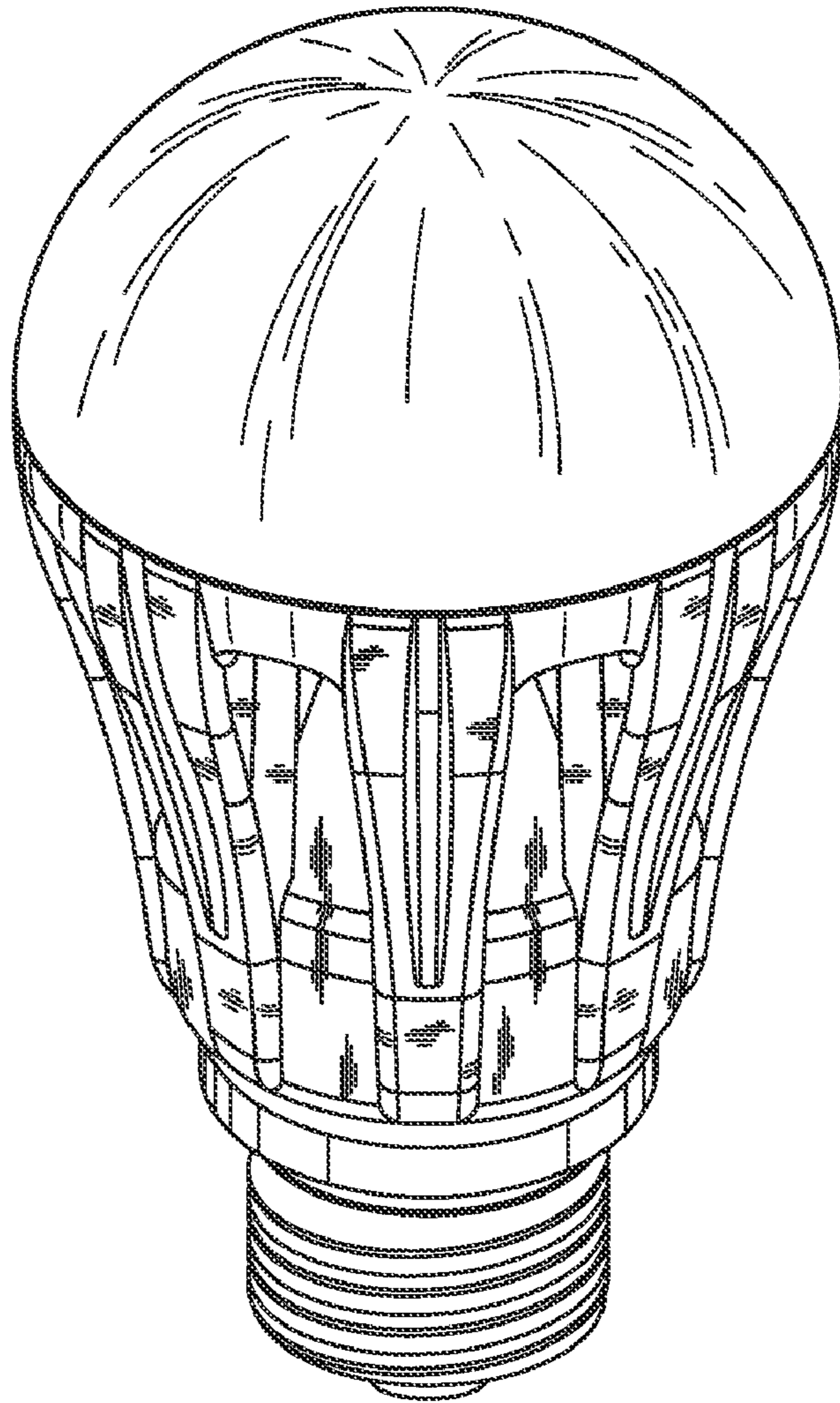


FIG. 1

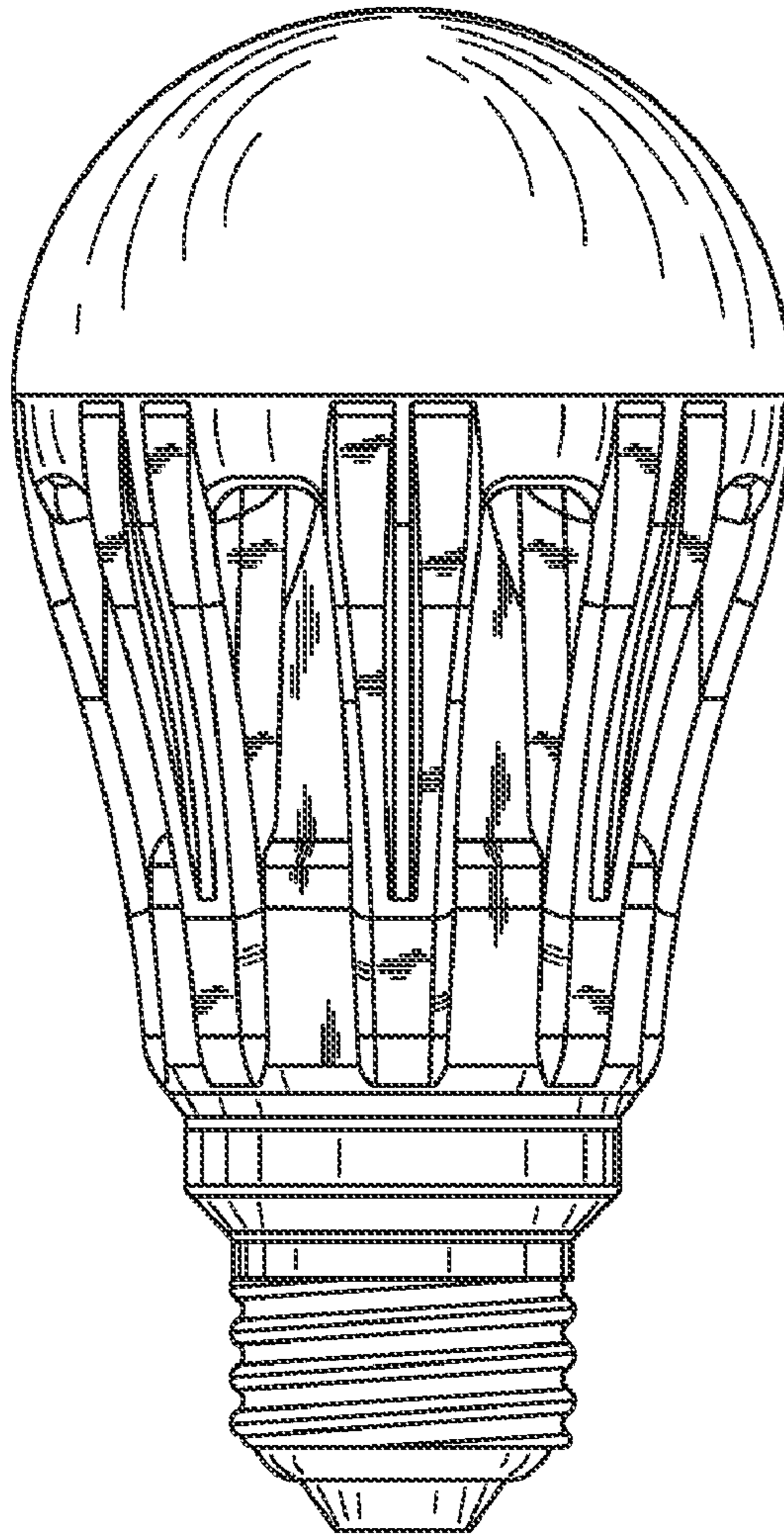


FIG. 2

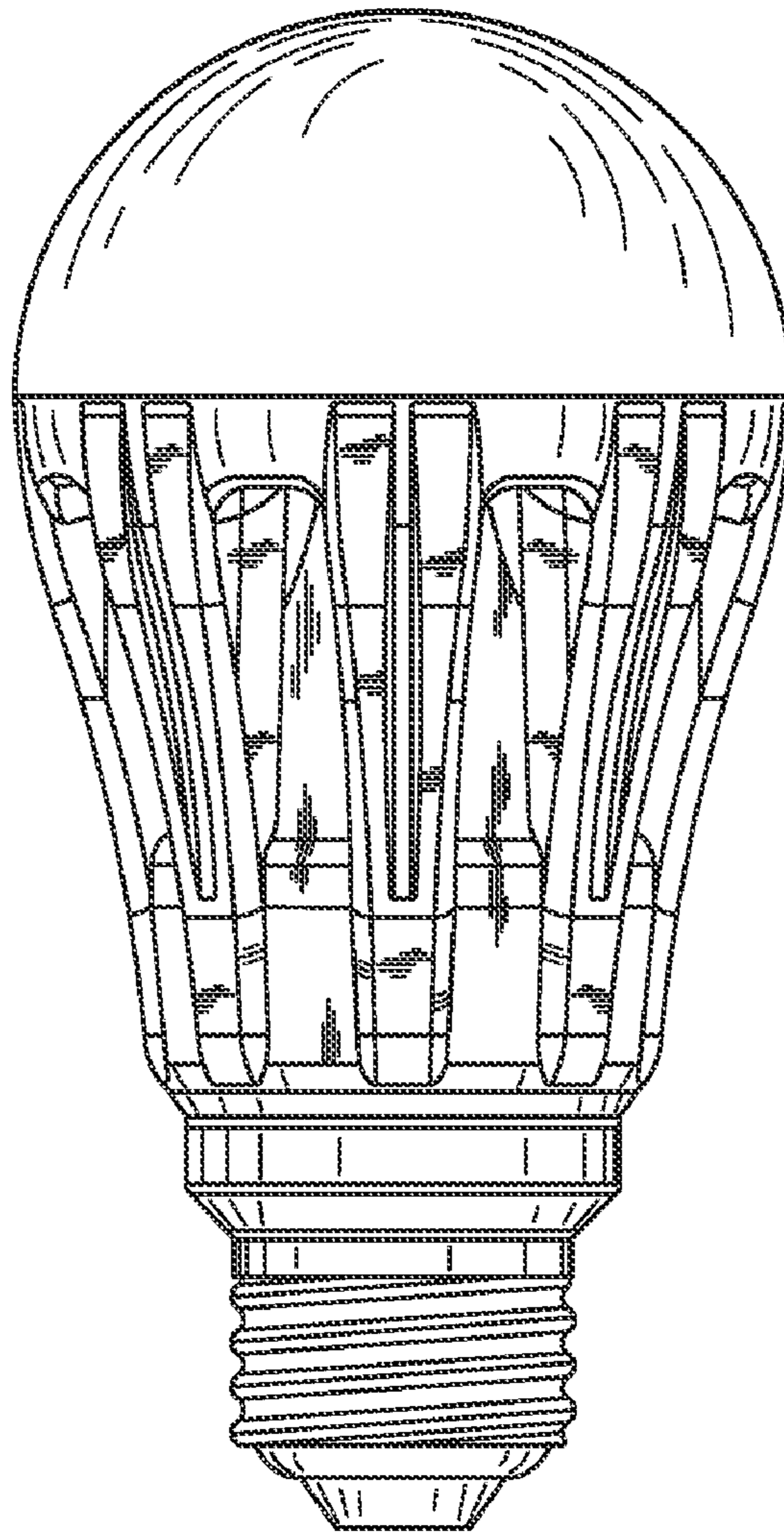


FIG. 3

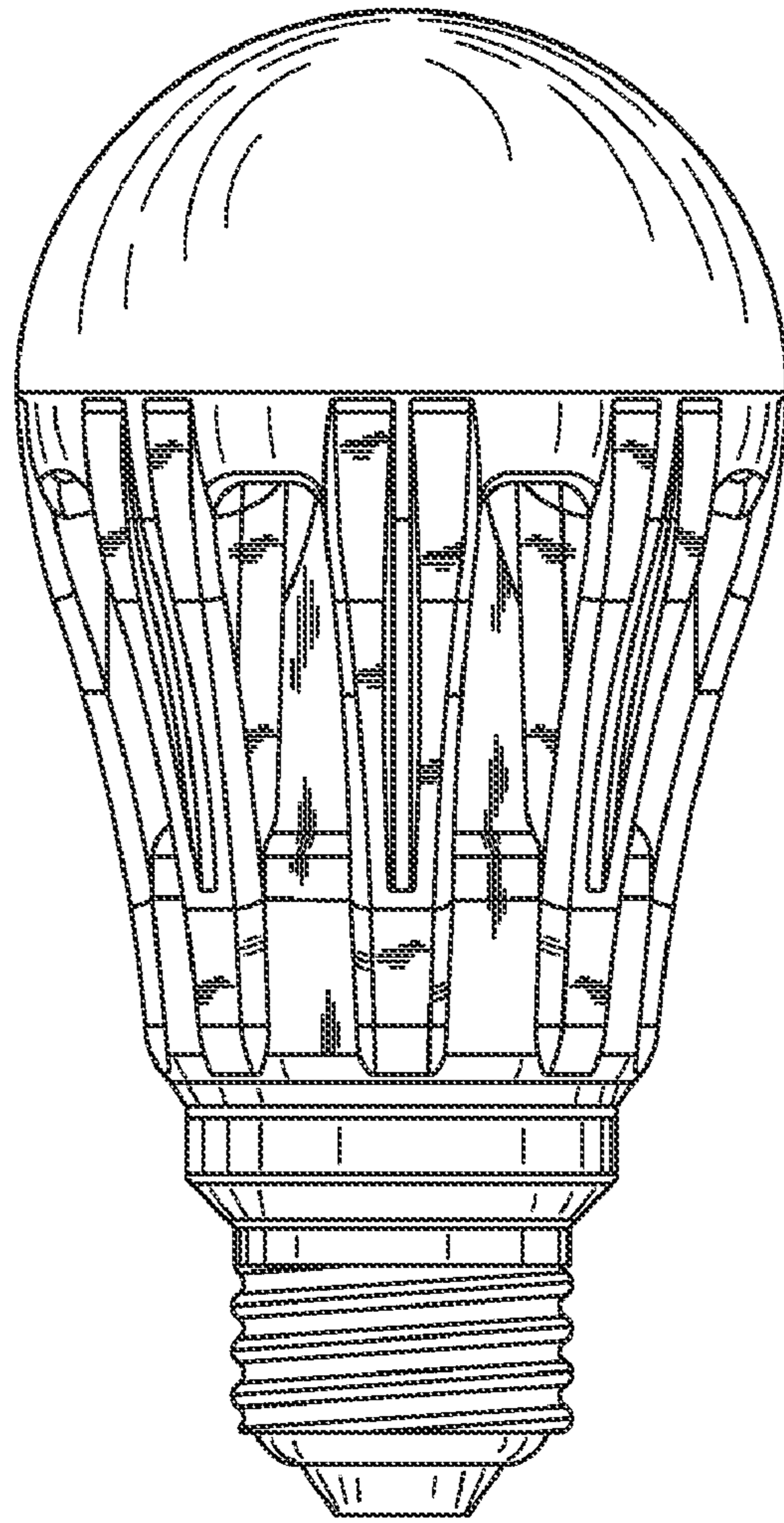


FIG. 4

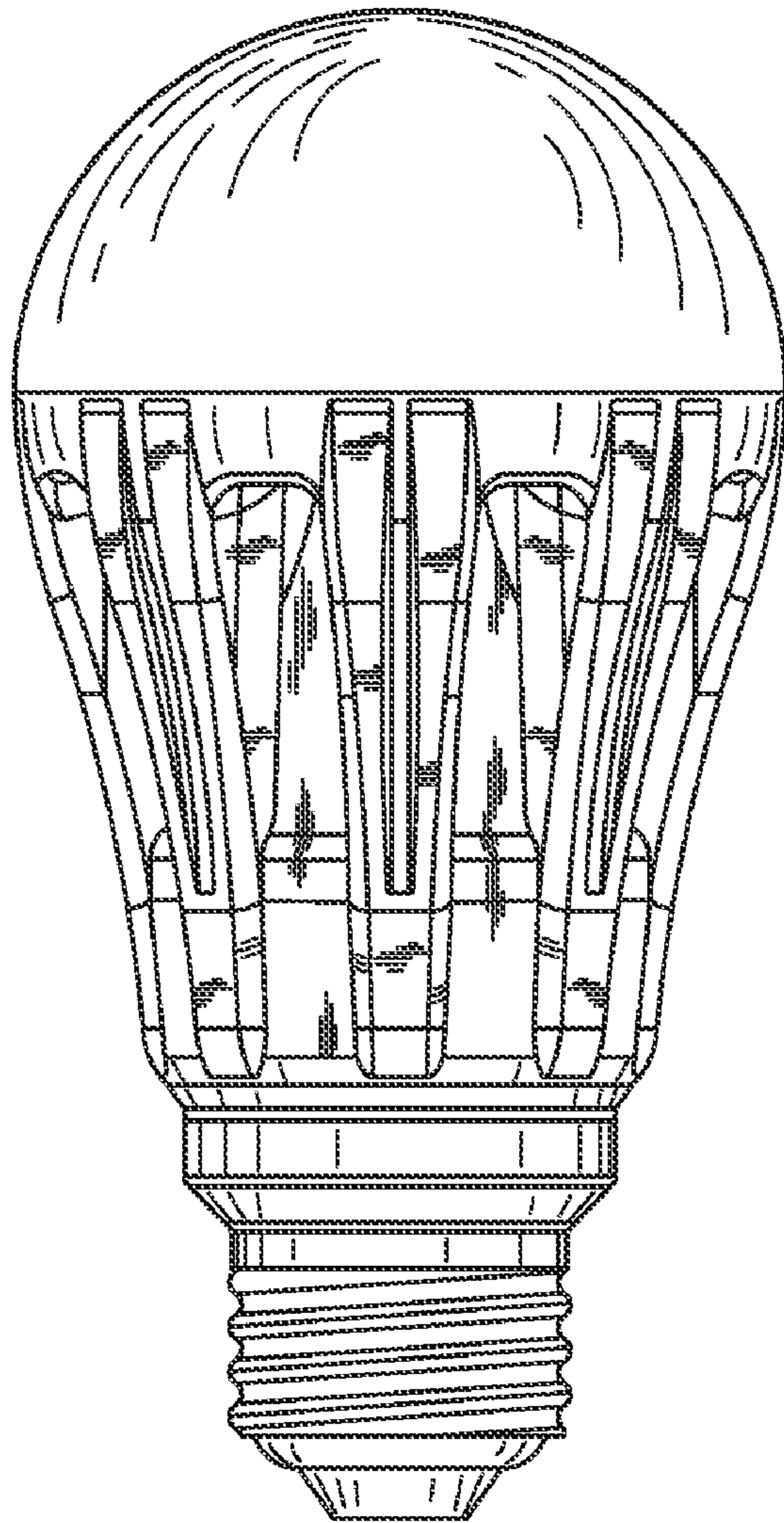


FIG. 5

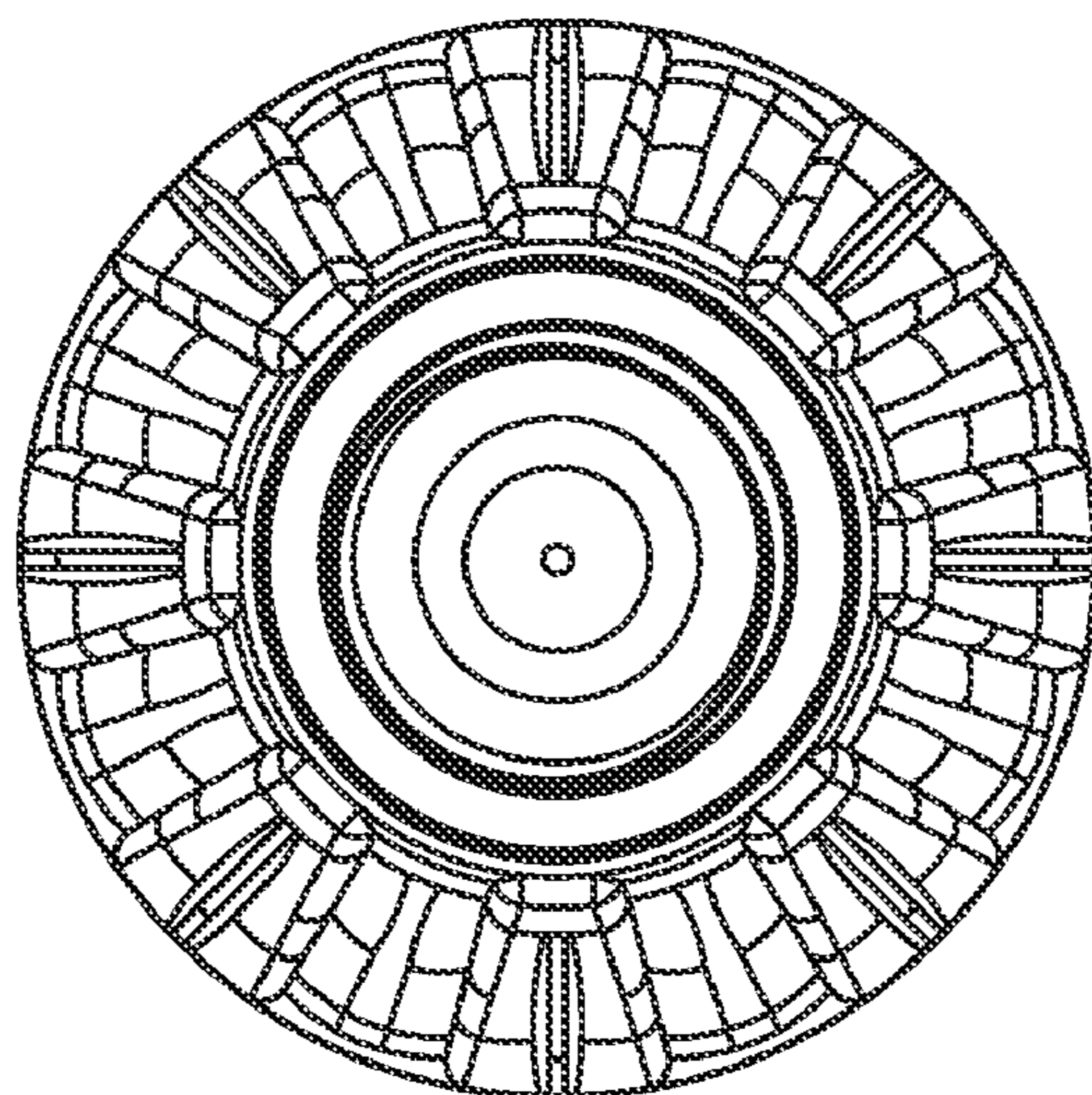


FIG. 6

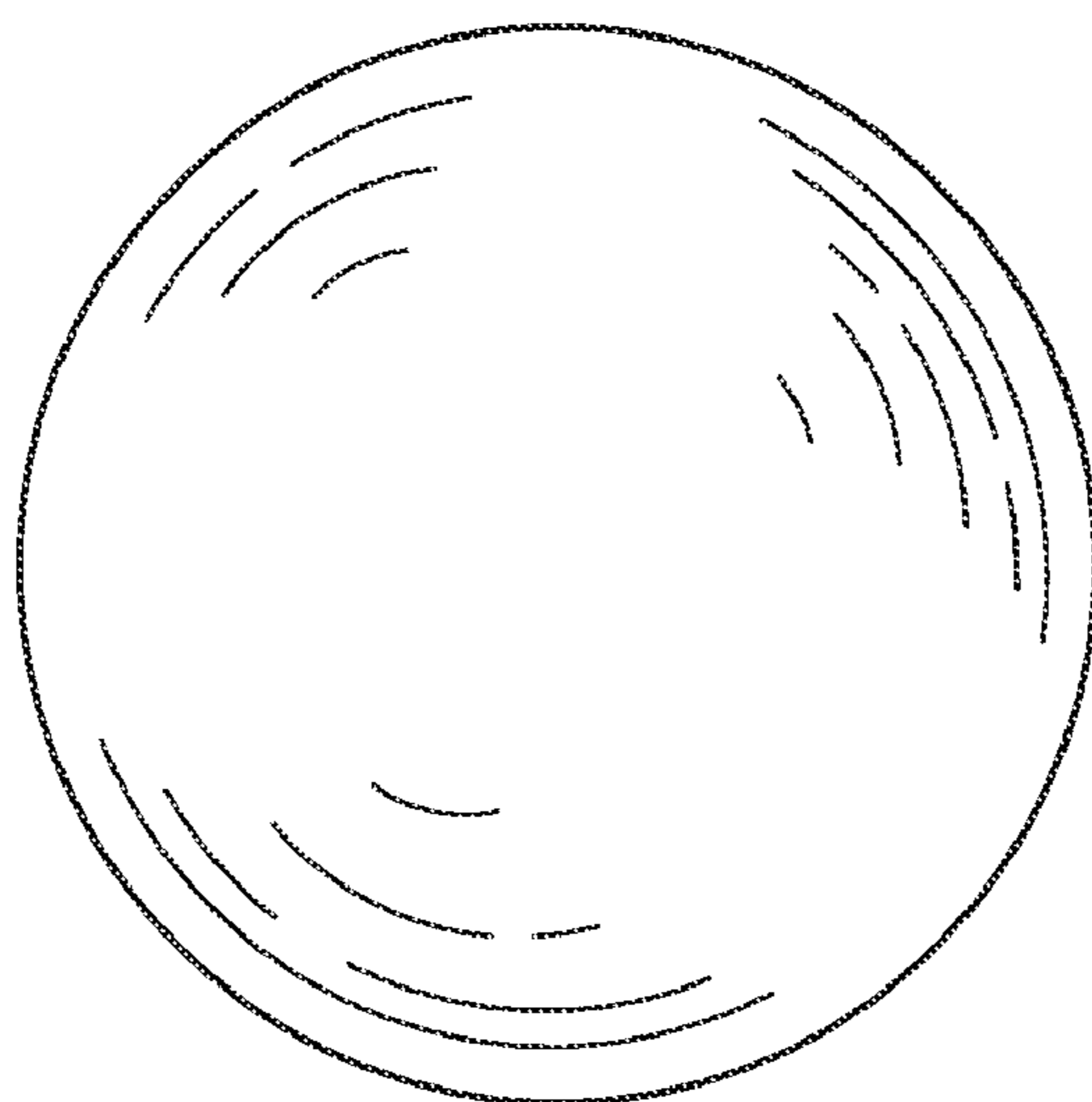


FIG. 7