



US00D648449S

(12) **United States Design Patent**
Pensi et al.

(10) **Patent No.:** **US D648,449 S**

(45) **Date of Patent:** **** Nov. 8, 2011**

(54) **WORKWALL ASSEMBLY**

(75) Inventors: **Jorge Pensi**, Barcelona (ES); **Brett Kincaid**, Lowell, MI (US); **Duck Young Kong**, Kentwood, MI (US); **Joylene M. Battey**, Middleville, MI (US)

(73) Assignee: **Steelcase Inc.**, Grand Rapids, MI (US)

(**) Term: **14 Years**

(21) Appl. No.: **29/362,739**

(22) Filed: **May 28, 2010**

(51) **LOC (9) Cl.** **25-01**

(52) **U.S. Cl.** **D25/138; D6/332**

(58) **Field of Classification Search** D25/58,
D25/123, 138, 163; 52/12, 23, 36.4, 36.5,
52/36.6, 238.1, 476, 489.1; 108/106, 108;
211/41.5, 87.01, 90.01, 94.01, 94.02, 134,
211/162; 312/132; D6/329, 332

See application file for complete search history.

(56) **References Cited**

U.S. PATENT DOCUMENTS

2,744,714 A	5/1956	Parke	
3,247,809 A	4/1966	Thomson	
3,295,474 A	1/1967	Ornstein	
3,471,978 A	10/1969	Fenwick	
3,574,980 A	4/1971	Keller	
3,601,256 A	8/1971	Bowers, Jr.	
3,613,604 A	10/1971	Butler	
3,640,389 A	2/1972	Snyder	
3,748,010 A	7/1973	Garte	
3,871,144 A	3/1975	Rudin	
3,908,320 A	9/1975	Hogue	
3,919,950 A	11/1975	Frazelle et al.	
3,965,826 A	6/1976	Markham	
D251,526 S	4/1979	Zapf	
4,186,666 A	2/1980	Honickman	
4,526,110 A	7/1985	Franz	
4,605,988 A	8/1986	Nienhuis et al.	
4,620,489 A	11/1986	Albano	
4,716,841 A	1/1988	Suttles	
D293,981 S *	2/1988	Ball	D6/332

4,785,946 A	11/1988	Sorensen
4,898,286 A	2/1990	Orlandi
4,919,282 A	4/1990	Duff et al.
4,961,506 A	10/1990	Lang
D314,090 S	1/1991	Stephens et al.
D318,585 S	7/1991	Duff et al.
5,097,771 A	3/1992	James, III
5,140,915 A	8/1992	Knape
5,313,891 A	5/1994	Suttles
5,439,123 A	8/1995	Nook

(Continued)

Primary Examiner — Brian N Vinson

(74) *Attorney, Agent, or Firm* — Prince Heneveld LLP

(57) **CLAIM**

The ornamental design for a workwall assembly, as shown and described.

DESCRIPTION

FIG. 1 is a top, front, and right side perspective view of a first embodiment of a workwall assembly showing our new design;

FIG. 2 is a front elevational view thereof;

FIG. 3 is a rear elevational view thereof;

FIG. 4 is a left side elevational view thereof;

FIG. 5 is a top plan view thereof;

FIG. 6 is a top, front, and right side perspective view of a second embodiment of a workwall assembly showing our new design;

FIG. 7 is a front elevational view thereof;

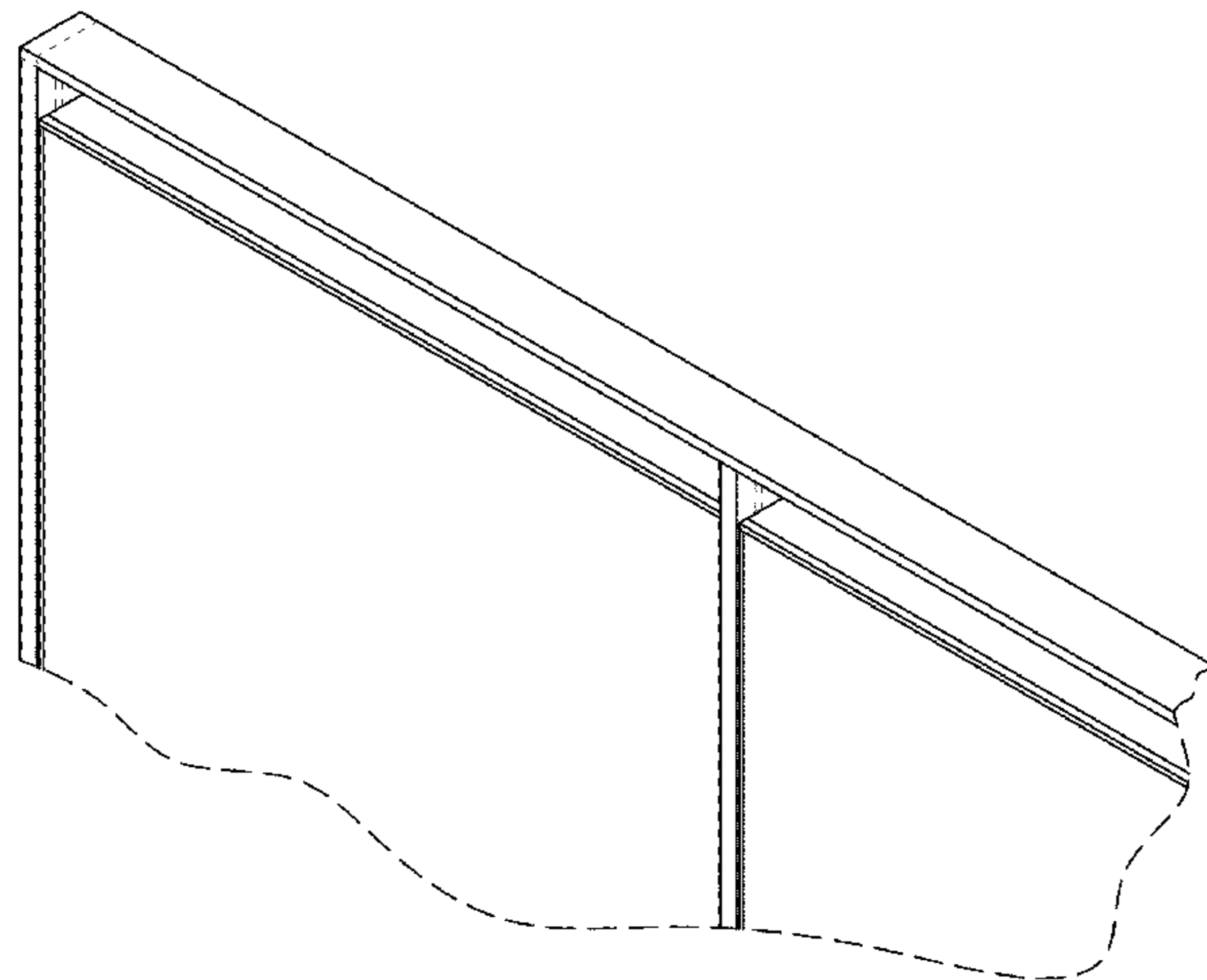
FIG. 8 is a rear elevational view thereof;

FIG. 9 is a left side elevational view thereof; and,

FIG. 10 is a top plan view thereof.

The second embodiment of the assembly is shown broken-away to indicate an unclaimed width, the straight broken-line disclosure is understood to indicate portions of the article in which the claimed design is embodied, but which form no part of the claimed design, and the irregular broken-line disclosure is understood to represent an unclaimed boundary which itself forms no part of the claimed design.

1 Claim, 4 Drawing Sheets



US D648,449 S

Page 2

U.S. PATENT DOCUMENTS

5,472,103	A	12/1995	Merl		
5,477,789	A	12/1995	Von Gunten		
5,611,442	A	3/1997	Howard		
5,613,449	A	3/1997	Pullman		
5,695,264	A	12/1997	Koch		
5,711,115	A	1/1998	Wirt		
5,758,585	A *	6/1998	Latchinian	108/108	
5,794,794	A	8/1998	Hull		
5,870,867	A	2/1999	Mitchell		
D407,501	S *	3/1999	Shipman et al.	D25/138	
5,941,026	A *	8/1999	Eisenreich et al.	52/36.5	
6,044,986	A	4/2000	Wood		
6,102,217	A	8/2000	Mathy et al.		
6,112,913	A	9/2000	Rindoks et al.		
6,115,978	A	9/2000	Bastian et al.		
6,161,347	A *	12/2000	Yu et al.	52/36.4	
6,196,648	B1	3/2001	Henriott		
D449,748	S *	10/2001	Martin et al.	D6/332	
6,349,507	B1	2/2002	Muellerleile		
6,378,255	B1	4/2002	Eich et al.		
6,443,319	B1	9/2002	Sander		
6,487,978	B1 *	12/2002	Hamberg	108/108	
6,561,365	B2	5/2003	Bustos		
6,564,952	B1	5/2003	Suttles		
6,658,805	B1 *	12/2003	Yu et al.	52/239	
6,659,295	B1	12/2003	De Land et al.		
D486,674	S	2/2004	Schoeben		
6,726,034	B2	4/2004	Holbrook et al.		
D492,862	S	7/2004	Gay, II		
6,775,953	B2 *	8/2004	Burken et al.	52/238.1	
6,918,499	B2	7/2005	De Land et al.		
D511,390	S *	11/2005	Schuberth	D25/138	
7,055,287	B2	6/2006	Yu et al.		
D533,284	S *	12/2006	Bledsoe et al.	D25/138	
D538,093	S	3/2007	Lee		
D546,587	S	7/2007	Devolder		
D547,585	S	7/2007	Netto et al.		
D559,014	S	1/2008	Mangano		
D560,402	S	1/2008	Lev		
D576,422	S	9/2008	Grabowski et al.		
D577,509	S	9/2008	Grabowski et al.		
7,469,512	B2	12/2008	Faber et al.		
7,494,019	B2	2/2009	Kessell et al.		
7,506,772	B2	3/2009	Chen		
D613,079	S *	4/2010	Tsuchiyama	D6/332	
2003/0168951	A1	9/2003	Hollbrook et al.		
2003/0205545	A1	11/2003	Moceri		
2004/0055514	A1	3/2004	De Land et al.		
2004/0211741	A1	10/2004	Bustos et al.		
2005/0199568	A1	9/2005	Gay, II et al.		
2005/0279033	A1	12/2005	Faber et al.		

* cited by examiner

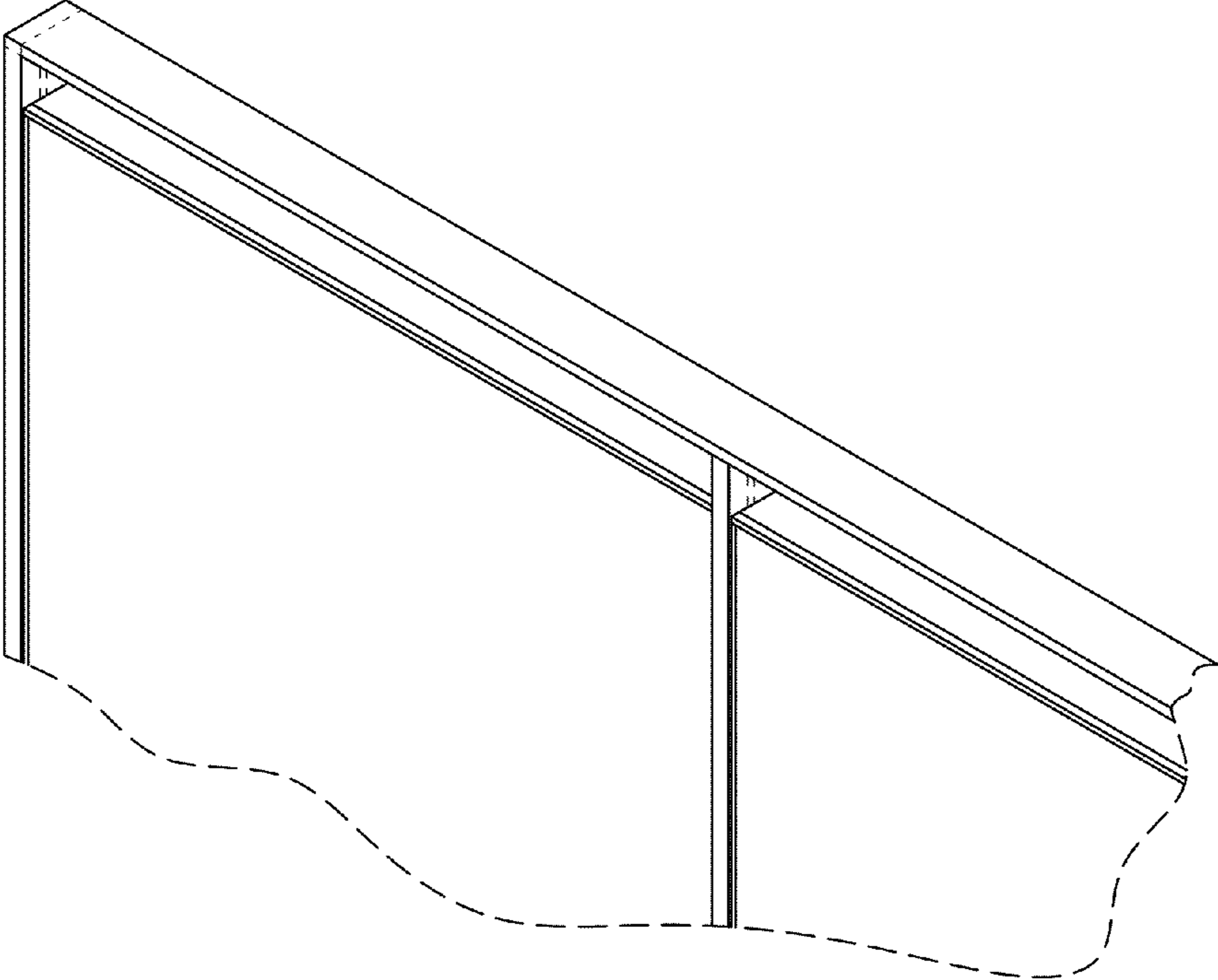


FIG. 1

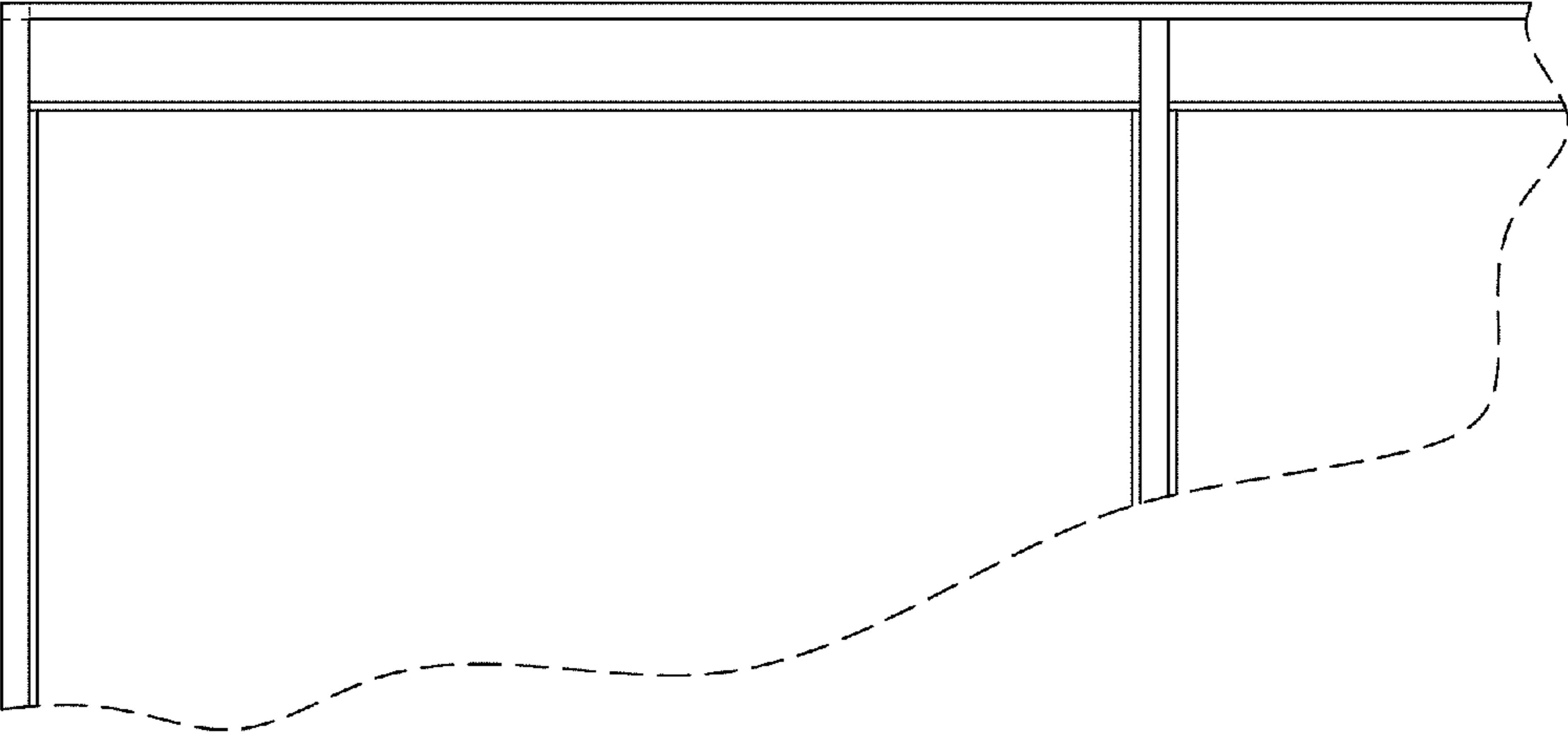


FIG. 2

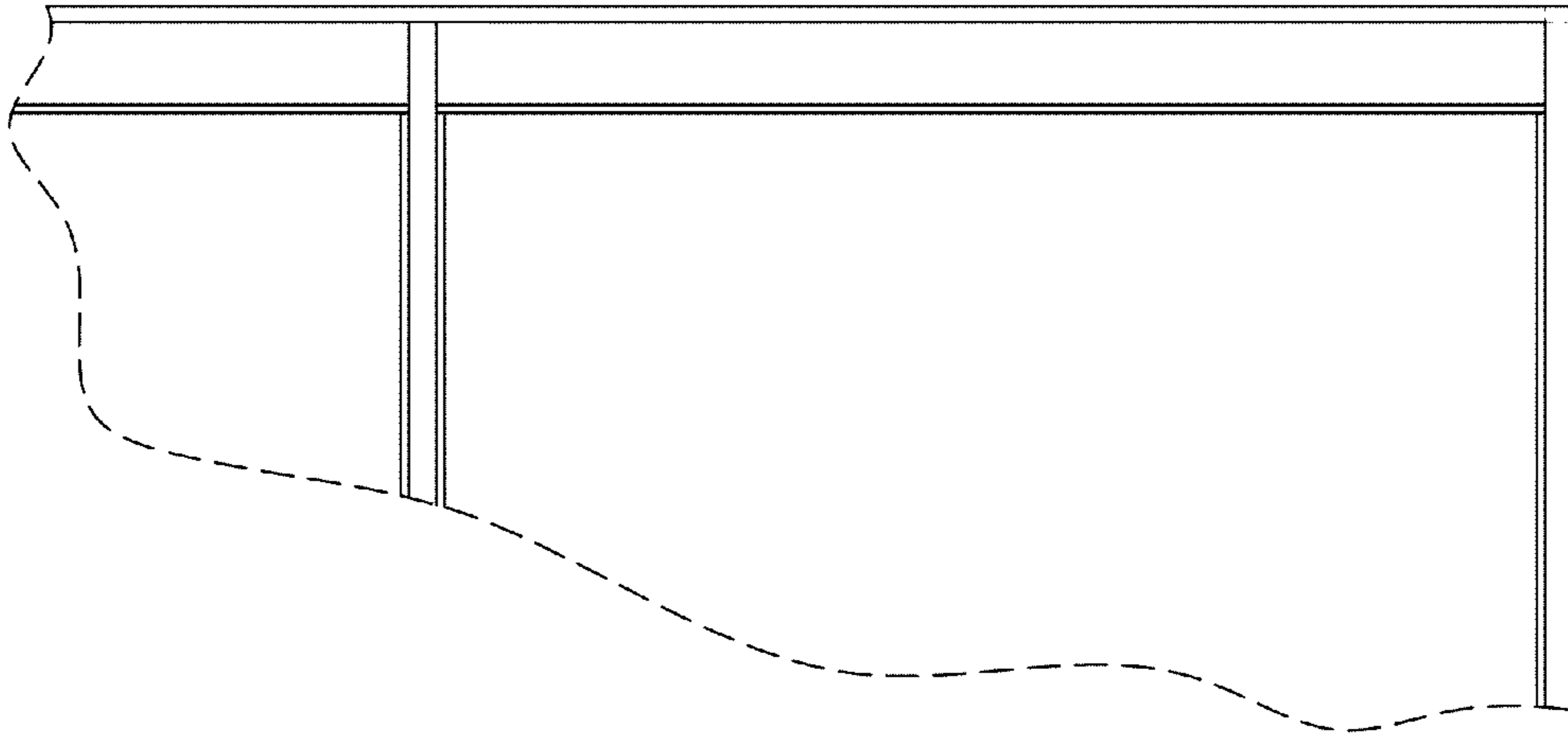


FIG. 3

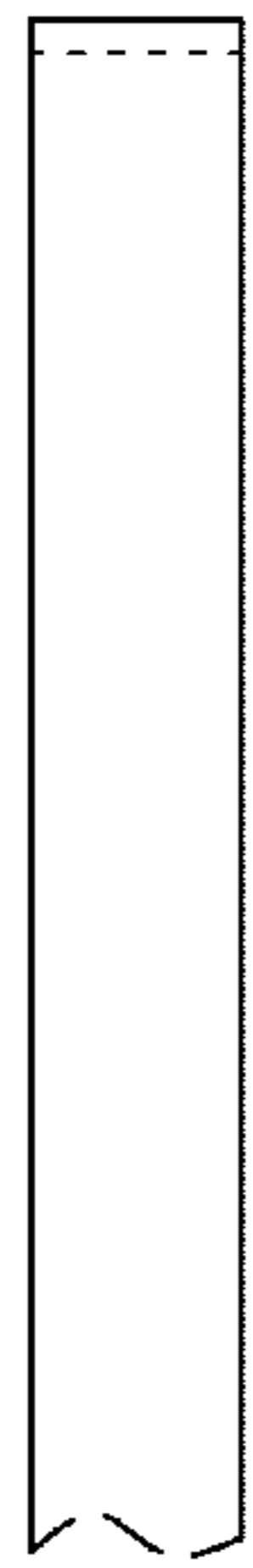


FIG. 4



FIG. 5

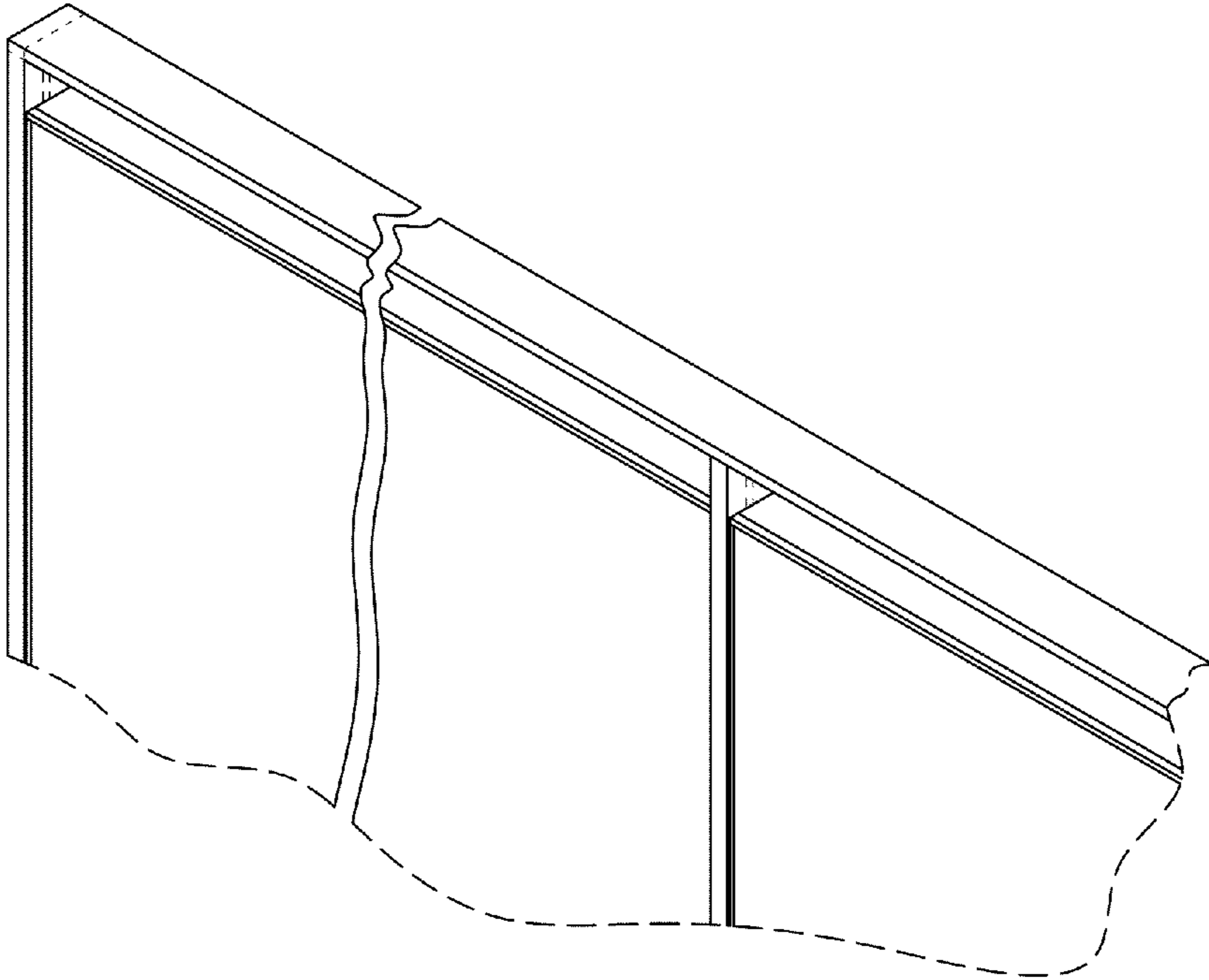


FIG. 6

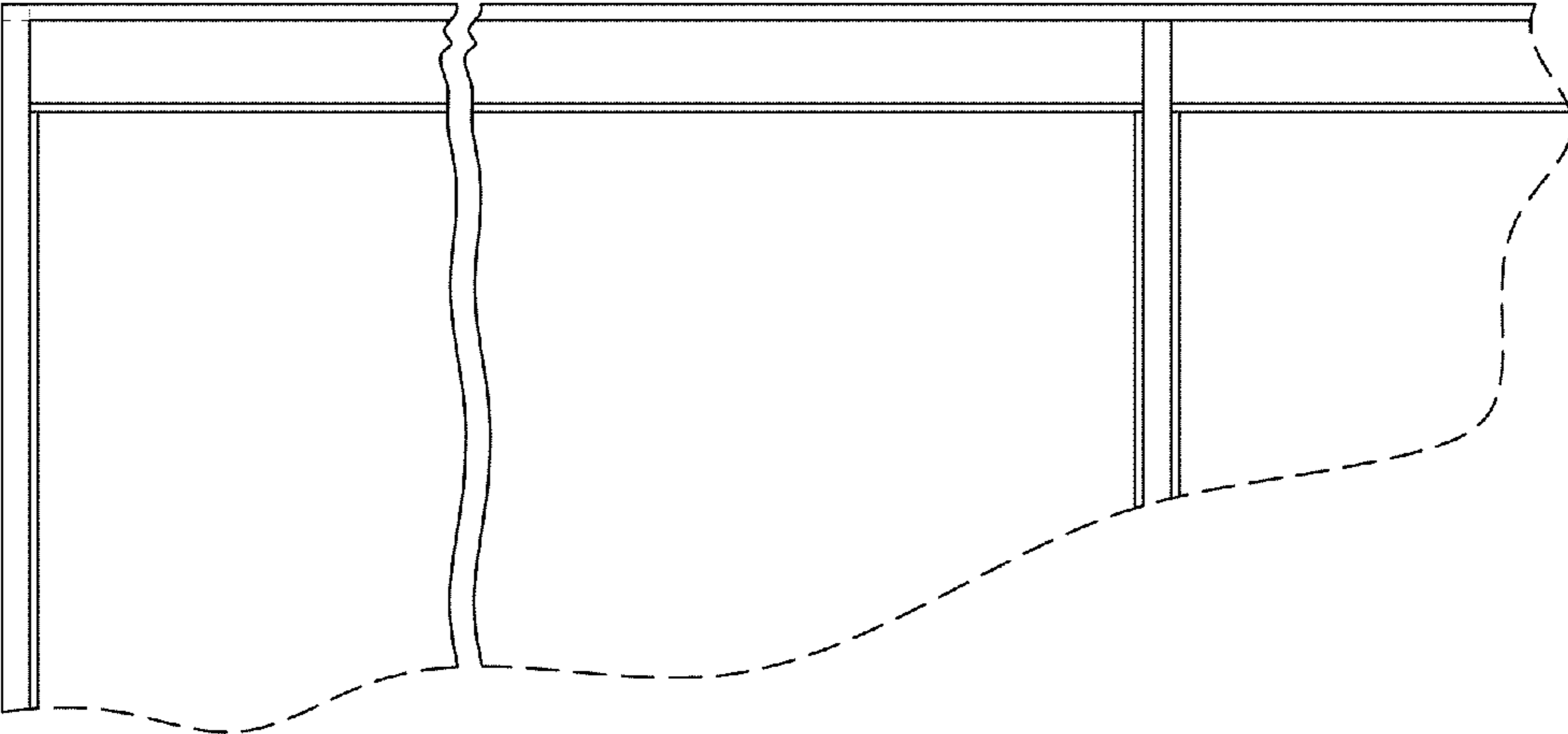


FIG. 7

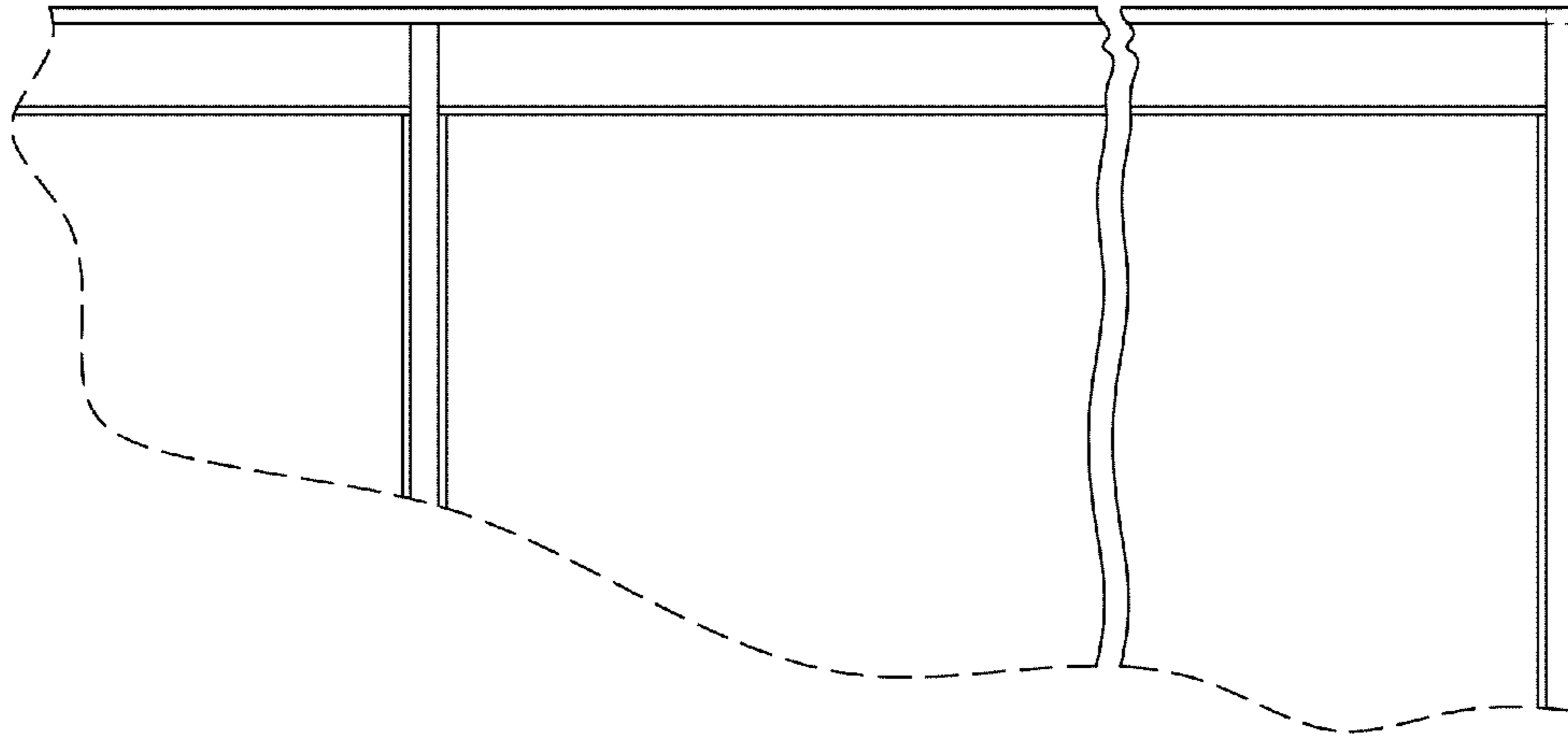


FIG. 8



FIG. 9

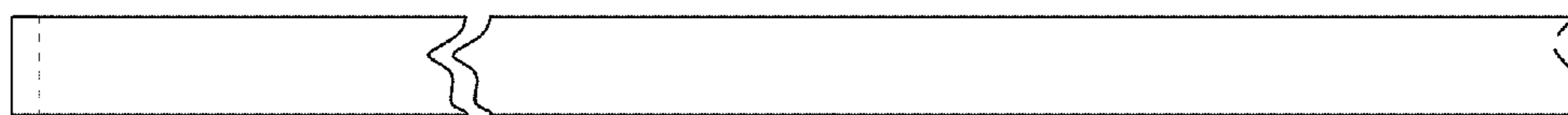


FIG. 10