



US00D648448S

(12) **United States Design Patent**
Apgood, II et al.

(10) **Patent No.:** **US D648,448 S**

(45) **Date of Patent:** **** *Nov. 8, 2011**

- (54) **PANEL**
- (75) Inventors: **William G. Apgood, II**, Holladay, UT (US); **Lenny Vainberg**, Mission Viejo, CA (US); **William G. Apgood**, Holladay, UT (US); **Robert Glenn**, Chicago, IL (US)
- (73) Assignee: **Red Star Traders, LLC**, Salt Lake City, UT (US)
- (**) Term: **14 Years**
- (21) Appl. No.: **29/329,009**
- (22) Filed: **Dec. 5, 2008**
- (51) **LOC (9) Cl.** **25-01**
- (52) **U.S. Cl.** **D25/138**
- (58) **Field of Classification Search** D25/138, D25/119-125, 58; 211/94.01, 94.02, 87.01, 211/106, 57.1, 59.1, 42, 43, 49.1, 85.26, 211/134, 133.2, 13.1, 71.01, 88.01, 190.01, 211/162, 189, 186; 248/222.51, 225.11, 248/235, 309.1; 108/91-93; 312/237; 52/36.5, 52/588.1, 36.1, 36.4, 483.1; D6/509, 396, D6/465, 449, 397, 474, 468, 574, 476-479, D6/436-439, 553, 567, 492, 332, 511, 466, D6/467, 457, 471
See application file for complete search history.

4,629,076 A	12/1986	Amstutz et al.	
4,678,151 A	7/1987	Radek	
4,726,554 A	2/1988	Sorrell	
5,121,578 A *	6/1992	Holz	52/506.01
D338,076 S *	8/1993	Current	D25/123
5,348,167 A	9/1994	Jensen	
5,711,115 A *	1/1998	Wirt	52/36.3
D393,907 S *	4/1998	Current	D25/122
D395,089 S *	6/1998	Current	D25/123
D395,456 S *	6/1998	Ito et al.	D20/42
D399,010 S *	9/1998	Current	D25/123
D399,012 S *	9/1998	Current	D25/123
D400,270 S *	10/1998	Current	D25/123
5,819,490 A *	10/1998	Current	52/588.1
D403,085 S *	12/1998	Current	D25/123
D404,148 S *	1/1999	Laskowski et al.	D25/123
5,899,344 A *	5/1999	Current et al.	211/94.01
5,941,026 A	8/1999	Eisenreich et al.	

(Continued)

OTHER PUBLICATIONS

Materials from www.newageproducts.com; Downloaded Jun. 3, 2008; 9 pages.

(Continued)

Primary Examiner — Mark Goodwin
(74) *Attorney, Agent, or Firm* — Workman Nydegger

(57) **CLAIM**
The ornamental design for a panel, as shown and described.

DESCRIPTION

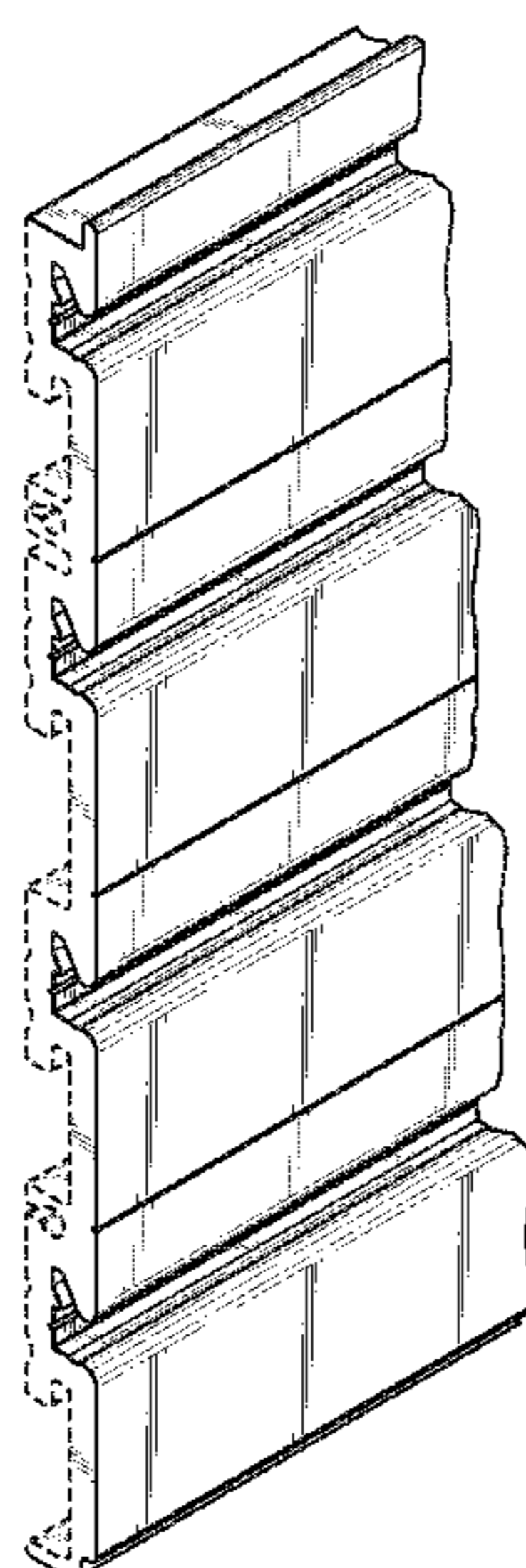
FIG. 1 is a front perspective view of a panel showing our new design;
FIG. 2 is a rear perspective view thereof;
FIG. 3 is a side view thereof; and,
FIG. 4 is an enlarged side view thereof taken along line 4-4 of FIG. 3.
The broken lines shown in the figures are for illustrative purposes only and form no part of the claimed design.

1 Claim, 2 Drawing Sheets

(56) **References Cited**

U.S. PATENT DOCUMENTS

1,803,016 A	4/1931	Harsted	
3,337,172 A *	8/1967	Jackson	248/222.51
D241,396 S *	9/1976	Copeland	D25/119
4,094,415 A	6/1978	Larson	
4,308,961 A	1/1982	Kunce	
4,420,087 A *	12/1983	Johns	211/189
4,452,360 A	6/1984	Barnes	
4,591,058 A	5/1986	Amstutz et al.	
4,607,753 A *	8/1986	Radek	211/94.01
4,615,448 A	10/1986	Johnstonbaugh	



U.S. PATENT DOCUMENTS

5,944,203	A	8/1999	Vlah et al.	
5,944,294	A	8/1999	Baer	
D414,567	S *	9/1999	Burt et al.	D25/123
5,983,574	A *	11/1999	Holztrager	52/36.5
6,050,426	A *	4/2000	Leurdijk	211/94.01
6,113,201	A *	9/2000	Bauer	312/245
6,119,878	A *	9/2000	Zen	211/94.01
6,134,846	A *	10/2000	Lamb	52/36.5
6,325,223	B1 *	12/2001	Hannen	211/87.01
6,393,877	B1 *	5/2002	Church	70/62
6,491,172	B2	12/2002	Chance et al.	
D473,664	S	4/2003	Perkins et al.	
6,578,498	B1 *	6/2003	Draudt et al.	108/50.02
D482,802	S *	11/2003	Yates, Jr.	D25/121
D482,803	S *	11/2003	Yates, Jr.	D25/121
D494,842	S *	8/2004	Perkins et al.	D8/354
6,811,043	B2	11/2004	Perkins et al.	
6,926,159	B1	8/2005	Cash et al.	
6,926,160	B2	8/2005	Perkins et al.	
6,971,614	B2	12/2005	Fischer et al.	
7,055,703	B2	6/2006	Perkins et al.	
7,104,023	B1 *	9/2006	Holztrager	52/705
D532,120	S *	11/2006	Holztrager	D25/123
D533,283	S *	12/2006	Holztrager	D25/123
7,147,115	B2	12/2006	Perkins et al.	
7,175,034	B2	2/2007	Nook et al.	
7,228,977	B2 *	6/2007	Perkins et al.	211/94.01
D549,563	S *	8/2007	Browne et al.	D8/373
D552,687	S *	10/2007	Smalley	D20/44
7,296,695	B2	11/2007	Perkins et al.	
D583,965	S *	12/2008	Castellanos	D25/125
D605,103	S *	12/2009	Schuephaus et al.	D12/345
D611,272	S *	3/2010	Daino	D6/491
D613,520	S *	4/2010	Goodman	D6/396
7,717,279	B2 *	5/2010	Lawson	211/94.01
D617,583	S *	6/2010	Daino	D6/491
D619,881	S *	7/2010	Shaha et al.	D8/367

7,753,217	B2 *	7/2010	Lawson	211/94.01
7,757,869	B2 *	7/2010	Lawson	211/94.01
7,798,463	B2 *	9/2010	Morgenroth	248/475.1
7,806,279	B2 *	10/2010	Kubota	211/94.01
D627,179	S *	11/2010	Fabiano et al.	D6/509
7,891,617	B2 *	2/2011	Tisbo	248/220.22
D633,315	S *	3/2011	Fabiano et al.	D6/509
2003/0189019	A1	10/2003	Campbell et al.	
2004/0108288	A1	6/2004	Breymaier et al.	
2004/0124164	A1 *	7/2004	Perkins et al.	211/94.01
2005/0006539	A1	1/2005	Fischer et al.	
2005/0029210	A1 *	2/2005	Perkins et al.	211/94.01
2006/0091094	A1 *	5/2006	Schuberth	211/94.01
2006/0180561	A1	8/2006	Wisnoski et al.	
2007/0012636	A1	1/2007	Wisnoski et al.	
2007/0181517	A1 *	8/2007	Perkins et al.	211/94.01
2007/0221594	A1 *	9/2007	Pierro	211/94.01
2009/0145867	A1 *	6/2009	Apgood et al.	211/94.01

OTHER PUBLICATIONS

Materials from www.newageproducts.com; Downloaded Sep. 18, 2008; 14 pages.

Welcome to HandiSolutions™; URL: <http://web.archive.org/web/20060915195547/http://www.handiwall.com/>; 2 pages.

USPTO, Notice of Allowance dated May 26, 2011 from U.S. Appl. No. 29/329,011 (7 pages).

ISA-USPTO, International Search Report and Written Opinion dated Jul. 7, 2010 from PCT Patent Application No. PCT/US2010/034305 (11 pages).

ISA-USPTO, International Search Report and Written Opinion dated Feb. 12, 2009 from PCT Patent Application No. PCT/US2008/085687 (7 pages).

USPTO, Office Action dated May 11, 2011 in U.S. Patent Application No. 12/328,761 (22 pages).

* cited by examiner

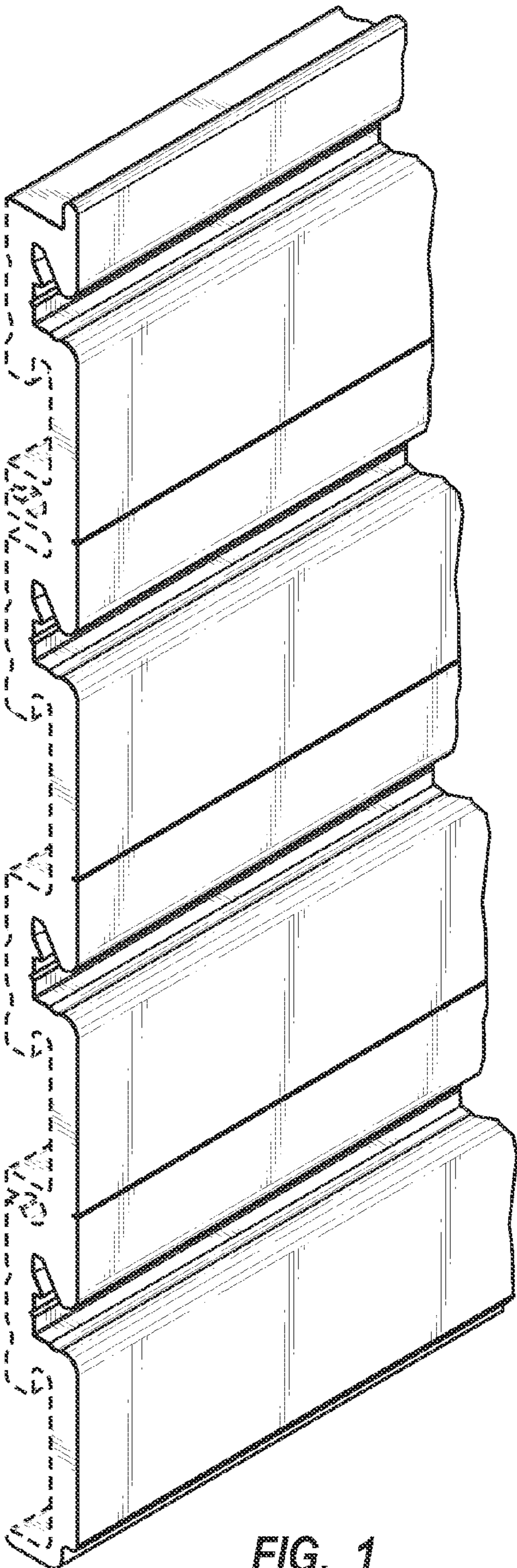


FIG. 1

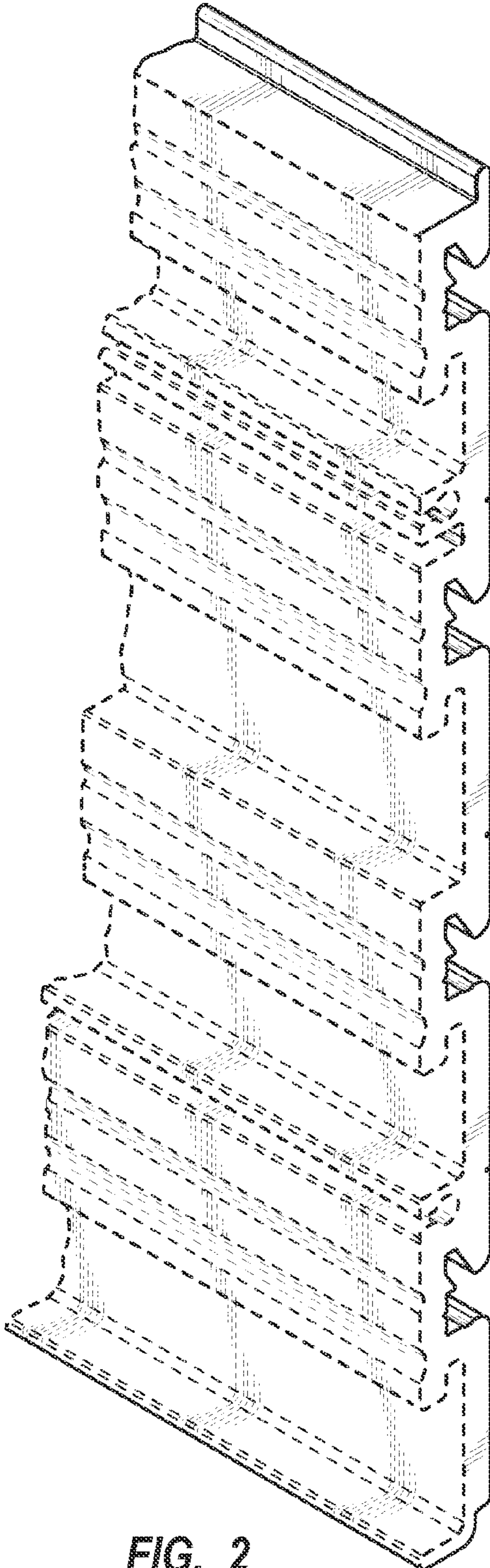


FIG. 2

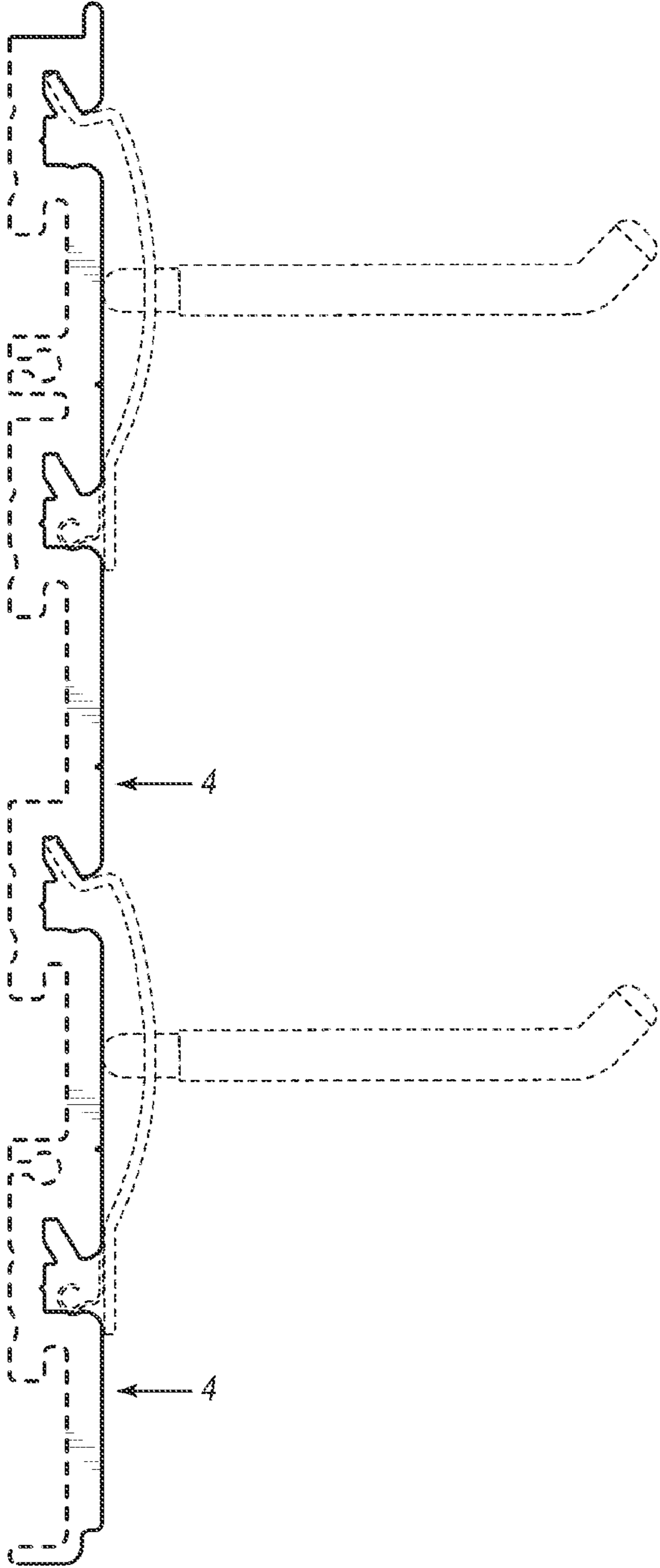


FIG. 3

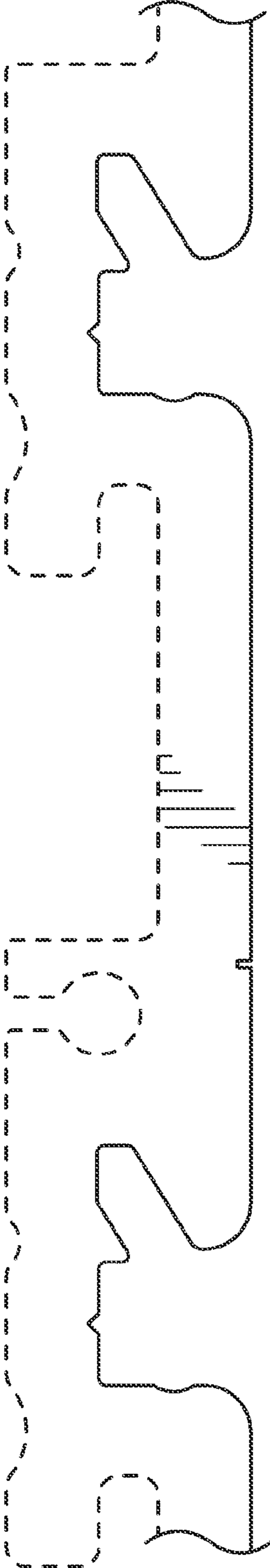


FIG. 4