

US00D648447S

(12) **United States Design Patent**
Sims

(10) **Patent No.:** **US D648,447 S**

(45) **Date of Patent:** **** Nov. 8, 2011**

(54) **ADJUSTABLE LENGTH SUPPORT COLUMN COMPONENT SET**

(76) Inventor: **William Sims**, Lindenhurst, NY (US)

(**) Term: **14 Years**

(21) Appl. No.: **29/370,311**

(22) Filed: **Jun. 29, 2010**

(51) **LOC (9) Cl.** **25-01**

(52) **U.S. Cl.** **D25/126**

(58) **Field of Classification Search** D25/126;
52/169.13, 169.9, 170; 405/231
See application file for complete search history.

(56) **References Cited**

U.S. PATENT DOCUMENTS

3,429,092	A	2/1969	Perry et al.	
4,048,776	A	9/1977	Sato	
4,125,217	A	11/1978	Sato	
D344,601	S *	2/1994	Jenkins et al.	D25/126
5,402,614	A *	4/1995	Jewell	52/299
5,505,033	A	4/1996	Matsuo et al.	
5,678,382	A	10/1997	Naito	
5,901,525	A	5/1999	Doeringer et al.	
5,966,882	A	10/1999	Naito	
6,684,580	B1 *	2/2004	Hull	52/170

* cited by examiner

Primary Examiner — Doris Clark

(74) *Attorney, Agent, or Firm* — Richard L. Miller

(57) **CLAIM**

The ornamental design for a adjustable length support column component set, as shown and described.

DESCRIPTION

FIG. 1 is a perspective view of a first embodiment of a adjustable length support column component set, which has a round cross section showing my new design;

FIG. 2 is a side elevational view thereof taken in the directions of the two arrows 2 in FIG. 1

FIG. 3 is a another side elevational view thereof taken in the directions of the two arrows 3 in FIG. 1

FIG. 4 is an elevational view taken in the direction of arrow 4 in FIG. 1;

FIG. 5 is an elevational view in the directions of the two arrows 5 in FIG. 1; and

FIG. 6 is an elevational view taken in the direction of arrow 6 in FIG. 1;

FIG. 7 is a perspective view of a second embodiment of a adjustable length support column component set, which has a square cross section showing my new design;

FIG. 8 is a side elevational view thereof taken in the directions of the two arrows 8 in FIG. 7;

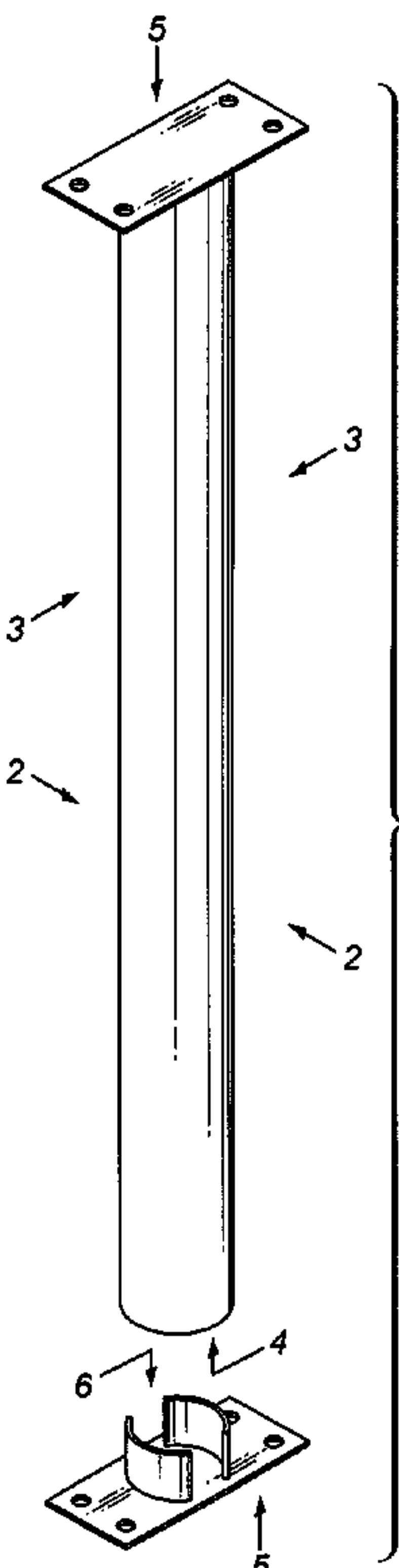
FIG. 9 is a another side elevational view thereof taken in the directions of the two arrows 9 in FIG. 7;

FIG. 10 is an elevational view taken in the direction of arrow 10 in FIG. 7;

FIG. 11 is an elevational view in the directions of the two arrows 11 in FIG. 7; and,

FIG. 12 is an elevational view taken in the direction of arrow 12 in FIG. 7.

1 Claim, 4 Drawing Sheets



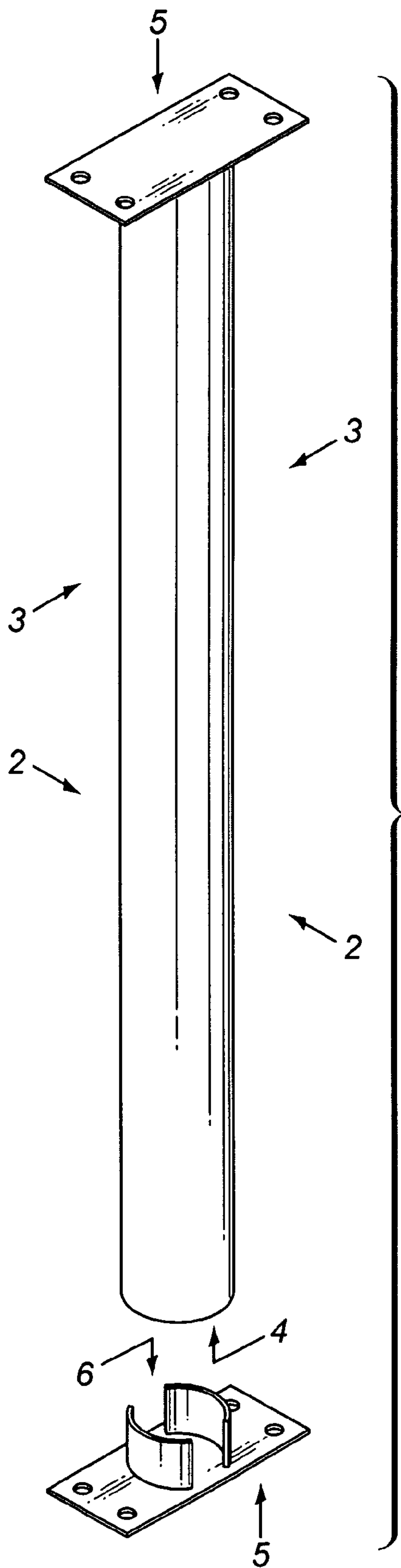


FIG. 1

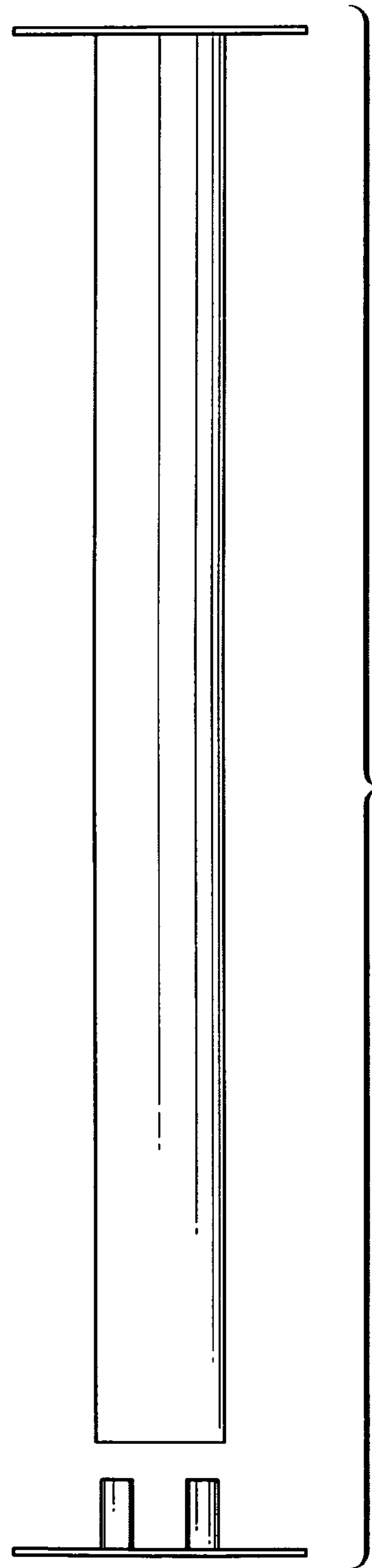


FIG. 2

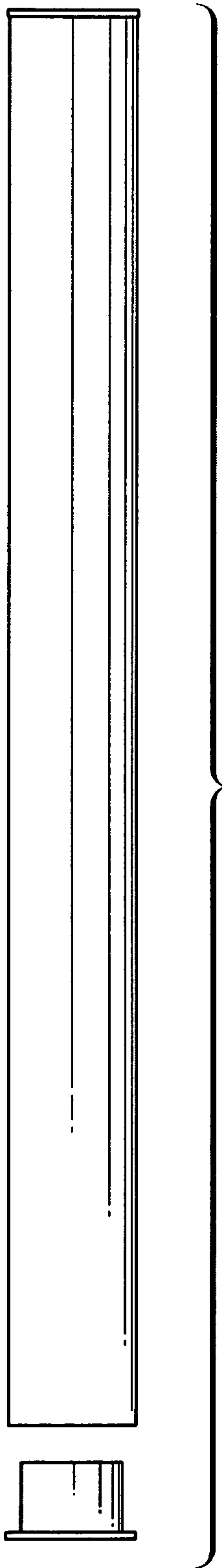


FIG. 3

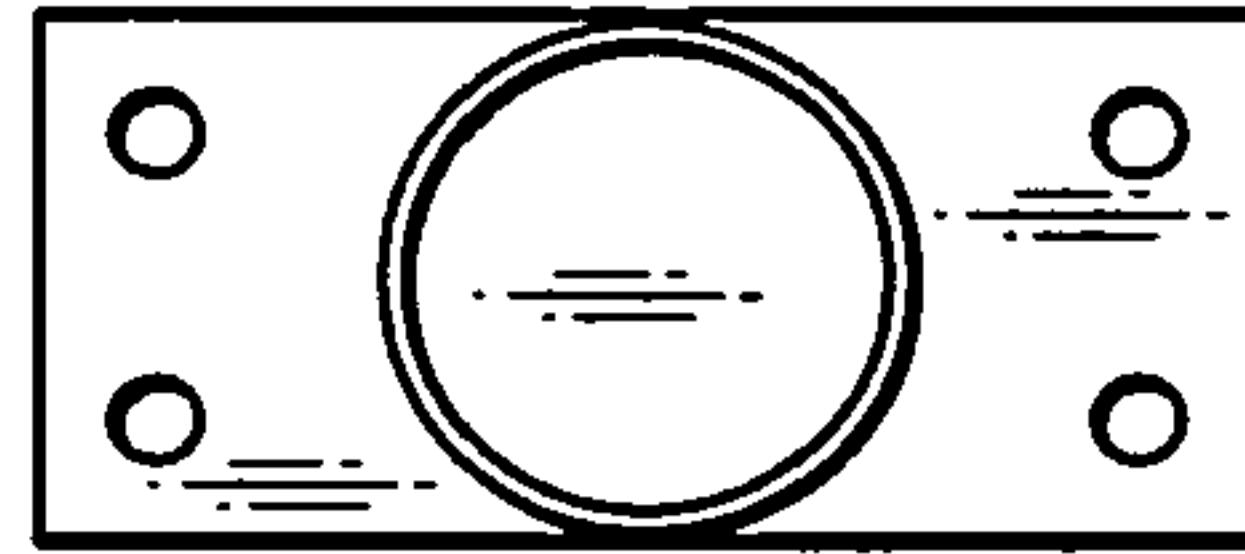


FIG. 4

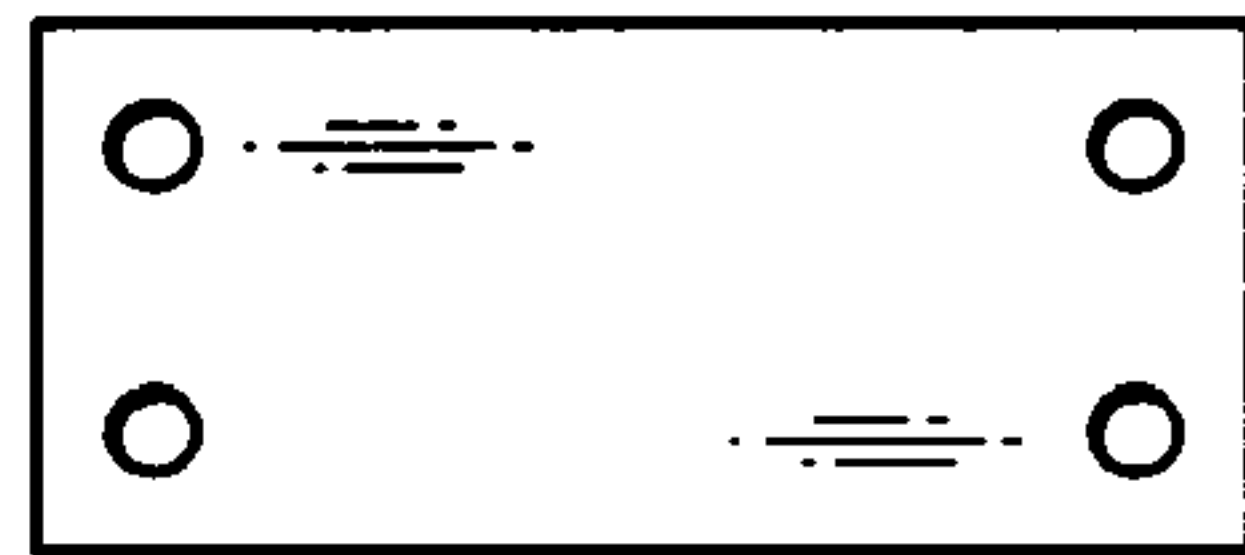


FIG. 5

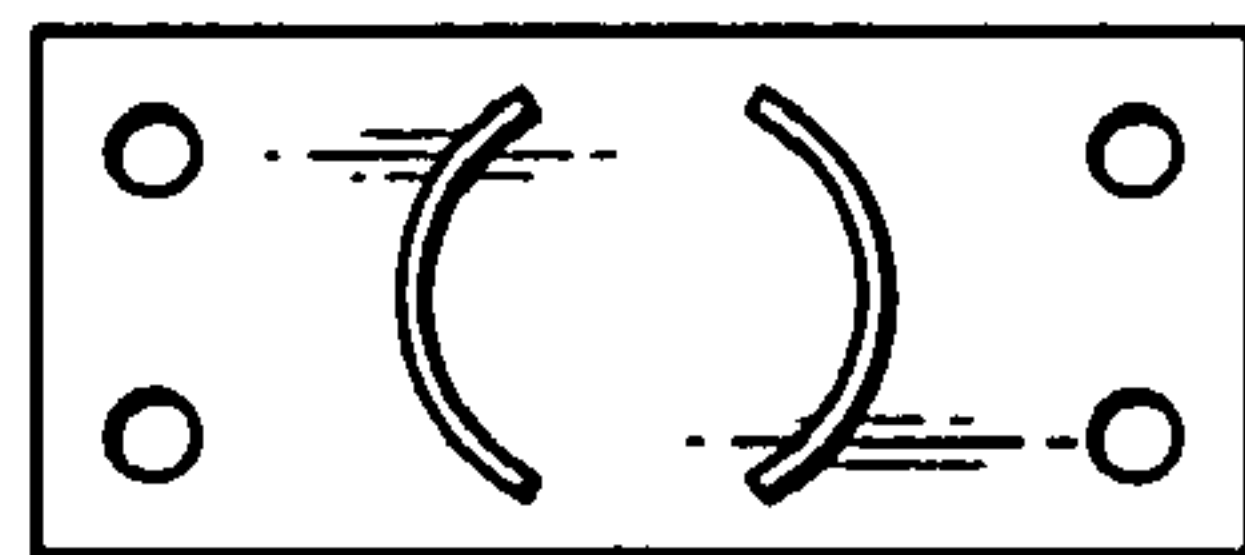


FIG. 6

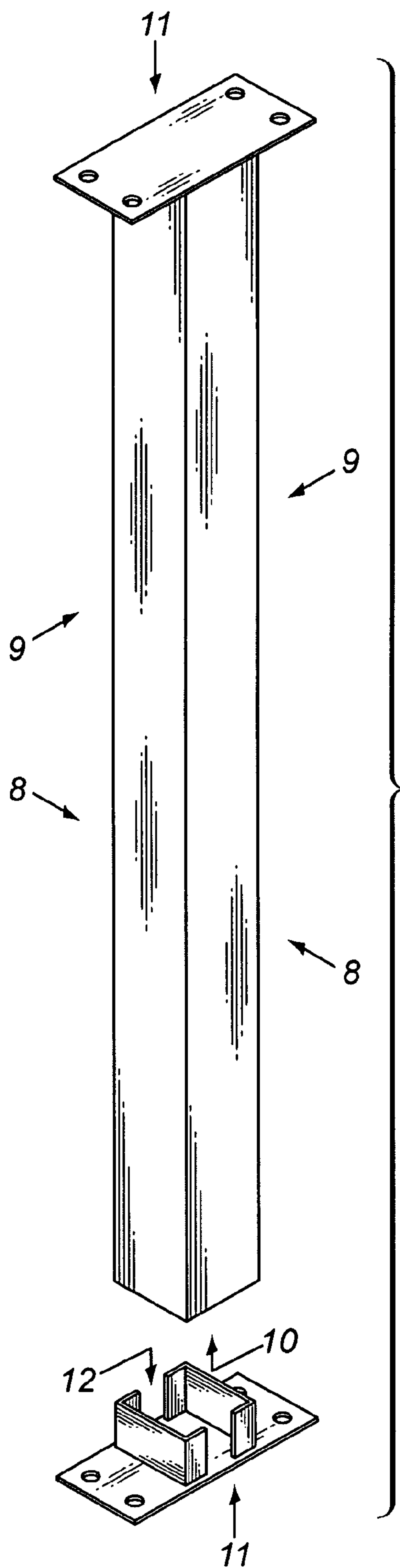


FIG. 7

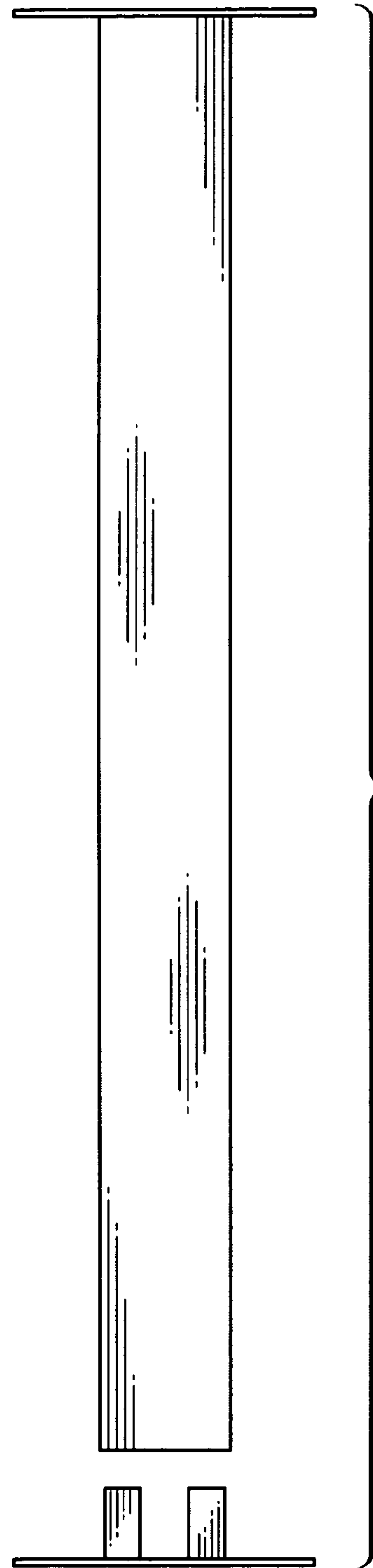


FIG. 8

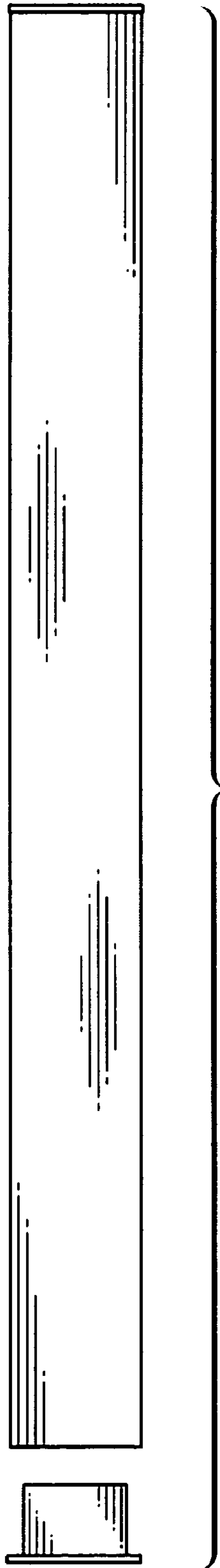


FIG. 9

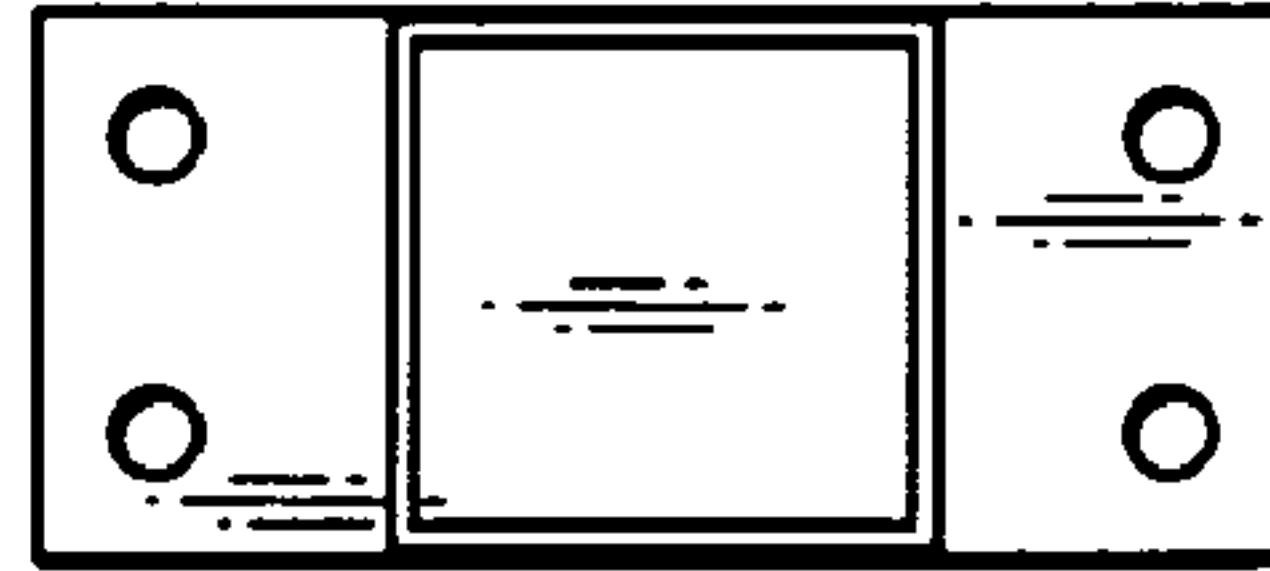


FIG. 10

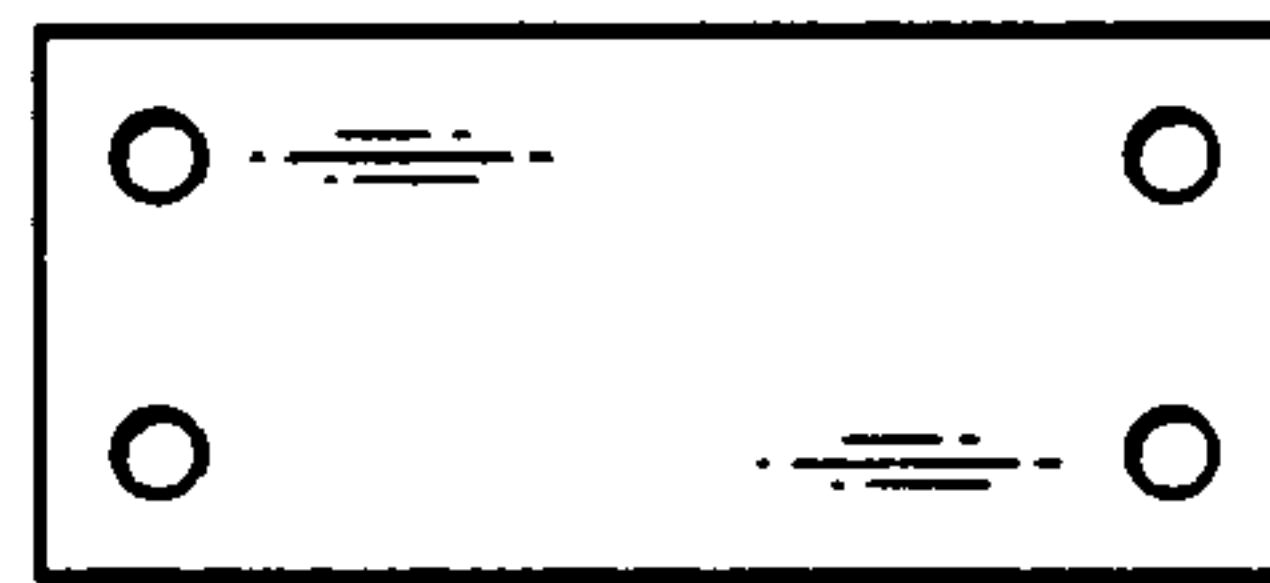


FIG. 11

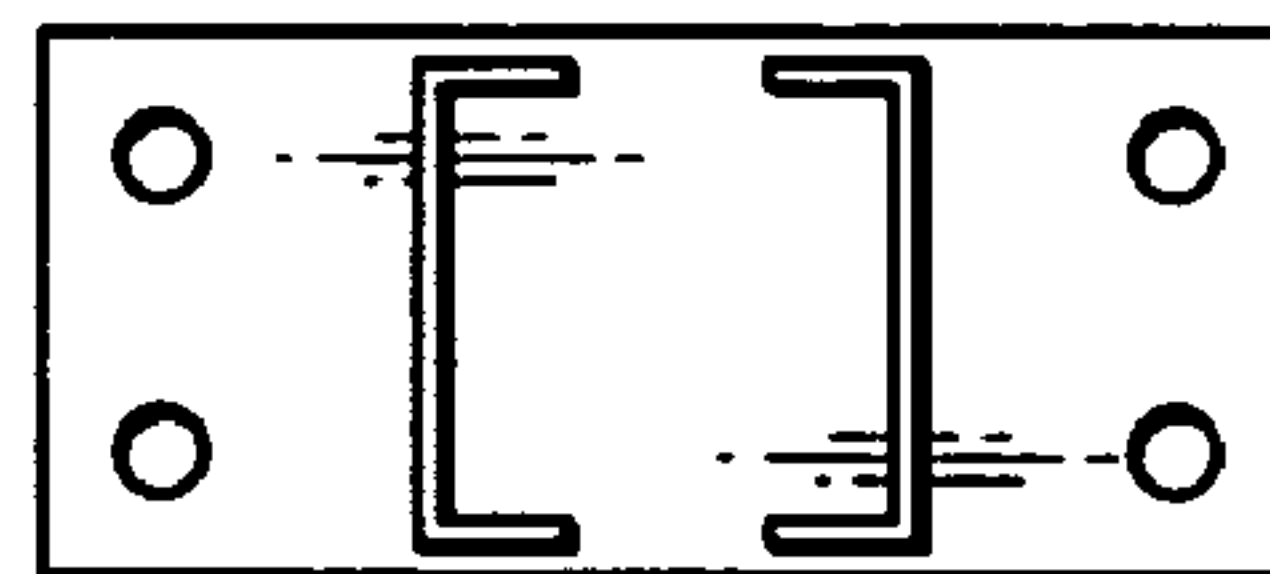


FIG. 12