



US00D648446S

(12) **United States Design Patent**
Ernst et al.

(10) **Patent No.:** **US D648,446 S**

(45) **Date of Patent:** **** Nov. 8, 2011**

(54) **CONCRETE PILLAR WITH GLASS BLOCK**

Primary Examiner — Doris Clark

(75) Inventors: **Gregory Scott Ernst**, Elgin, MN (US);
Rick Pederson, Rosemount, MN (US)

(74) *Attorney, Agent, or Firm* — Fish & Richardson P.C.

(73) Assignee: **Mortarless Technologies, LLC**,
Rochester, MN (US)

(57) **CLAIM**

The ornamental design for a concrete pillar with glass block,
as shown and described.

(**) Term: **14 Years**

(21) Appl. No.: **29/369,245**

DESCRIPTION

(22) Filed: **Sep. 3, 2010**

(51) **LOC (9) Cl.** **25-01**

(52) **U.S. Cl.** **D25/126**

(58) **Field of Classification Search** D25/126;
52/57, 223.4, 300, 301; 256/19

See application file for complete search history.

FIG. 1 is a perspective view of a concrete pillar with glass
block.

FIG. 2 is a front view of the concrete pillar with glass block of
FIG. 1.

FIG. 3 is a back view of the concrete pillar with glass block of
FIG. 1.

FIG. 4 is a left side view of the concrete pillar with glass block
of FIG. 1.

FIG. 5 is a right side view of the concrete pillar with glass
block of FIG. 1.

FIG. 6 is a top view of the concrete pillar with glass block of
FIG. 1; and,

FIG. 7 is a bottom view of the concrete pillar with glass block
of FIG. 1.

The broken lines are for illustrative purposes only and form
no part of the claimed design.

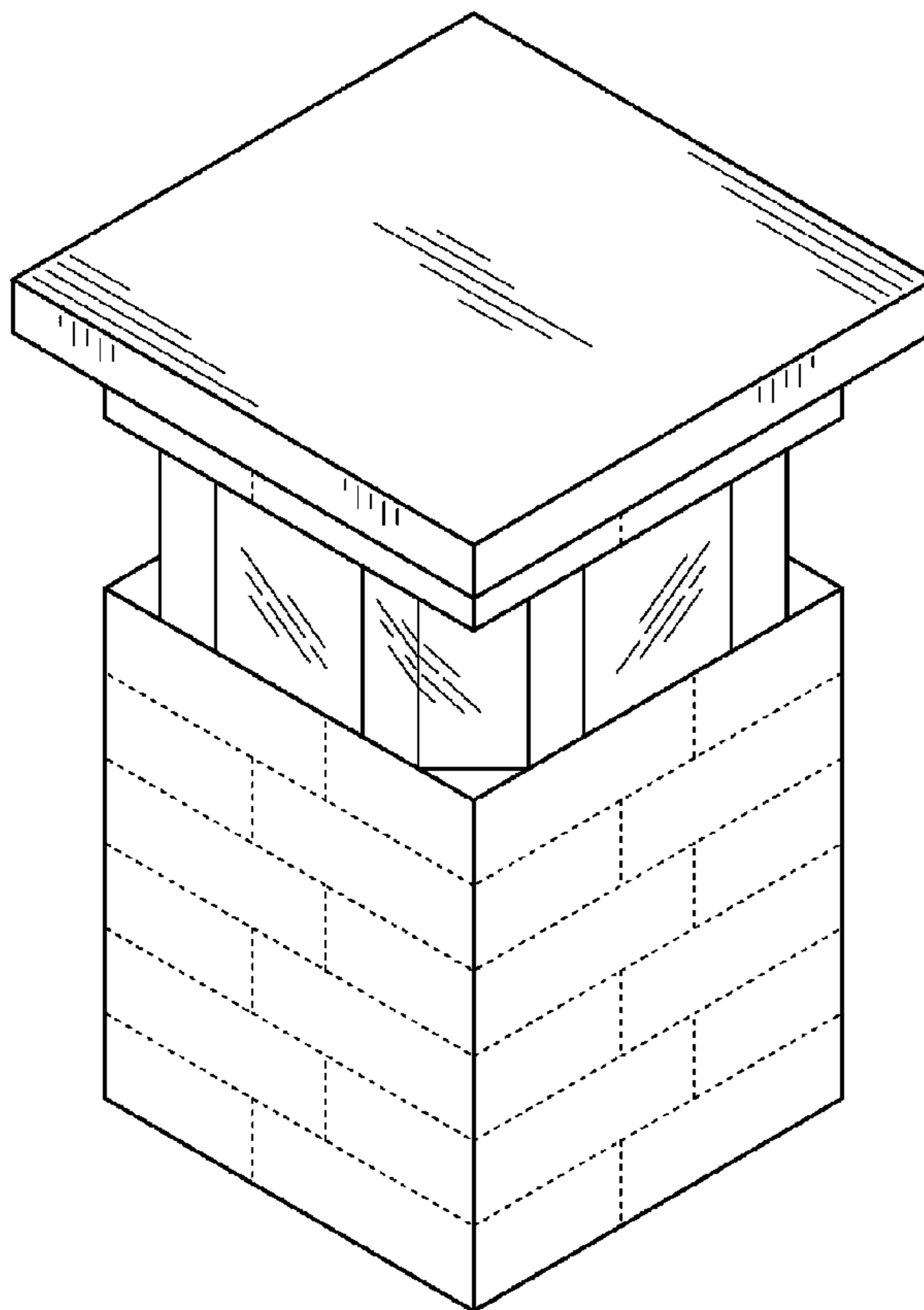
(56) **References Cited**

U.S. PATENT DOCUMENTS

3,298,668	A *	1/1967	Schueren	256/19
5,692,351	A *	12/1997	Morrison et al.	52/301
5,761,861	A *	6/1998	Brackett	52/218
D430,313	S *	8/2000	Webb	D25/126
7,313,892	B1 *	1/2008	Oliver et al.	52/309.1
D617,010	S *	6/2010	Liestenfeltz et al.	D25/126
2002/0056835	A1 *	5/2002	Hazan	256/19

* cited by examiner

1 Claim, 4 Drawing Sheets



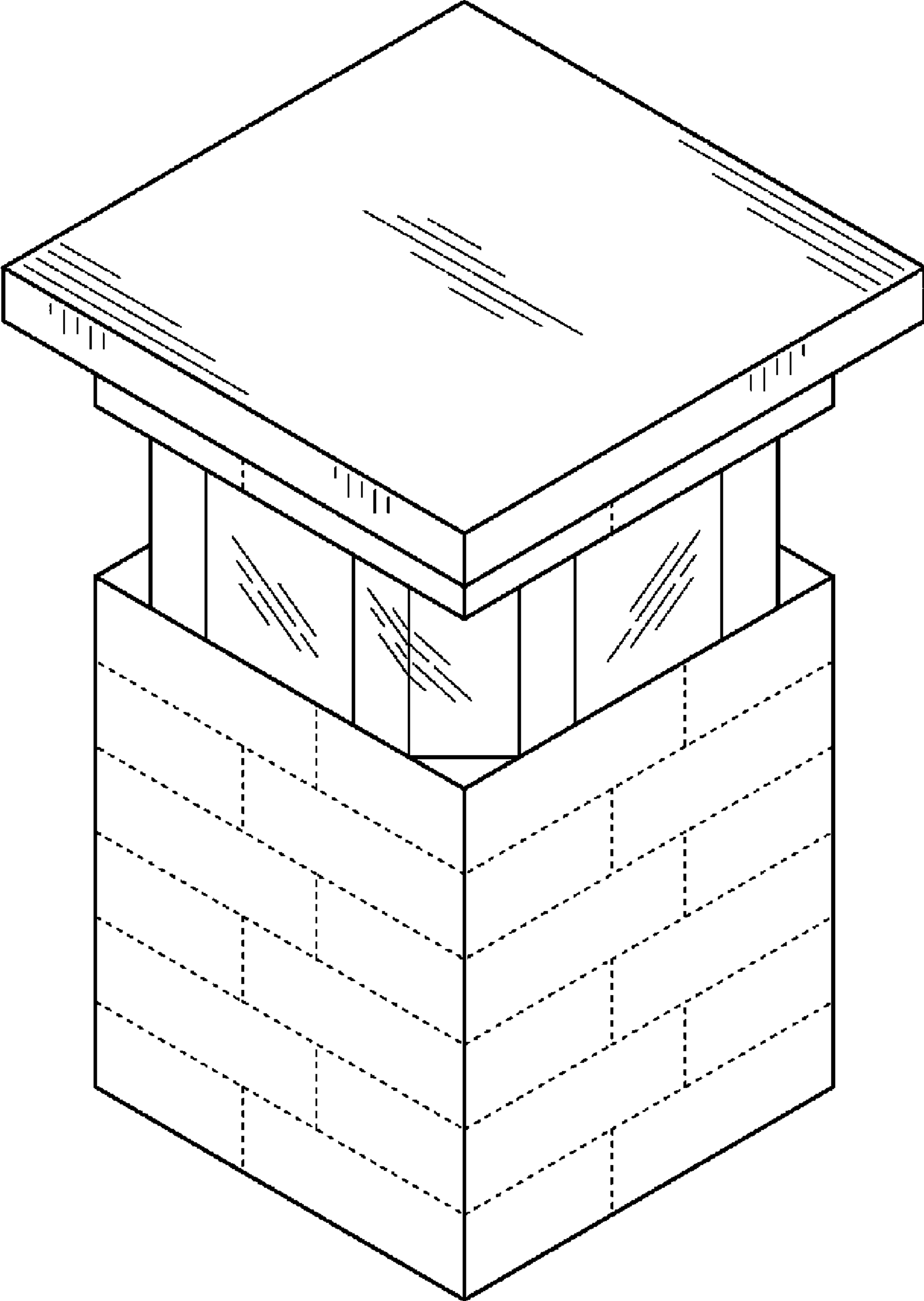


FIG. 1

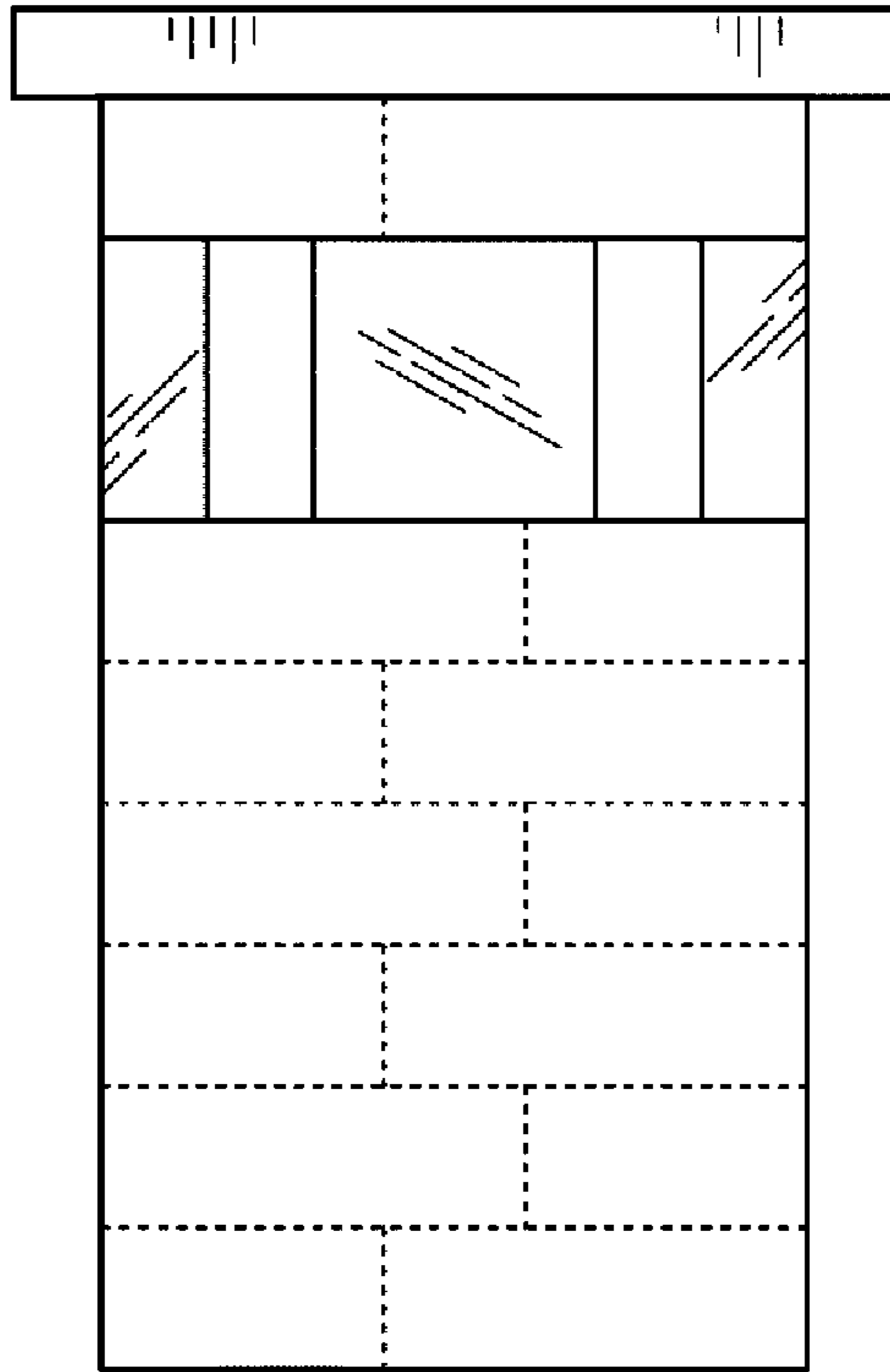


FIG. 2

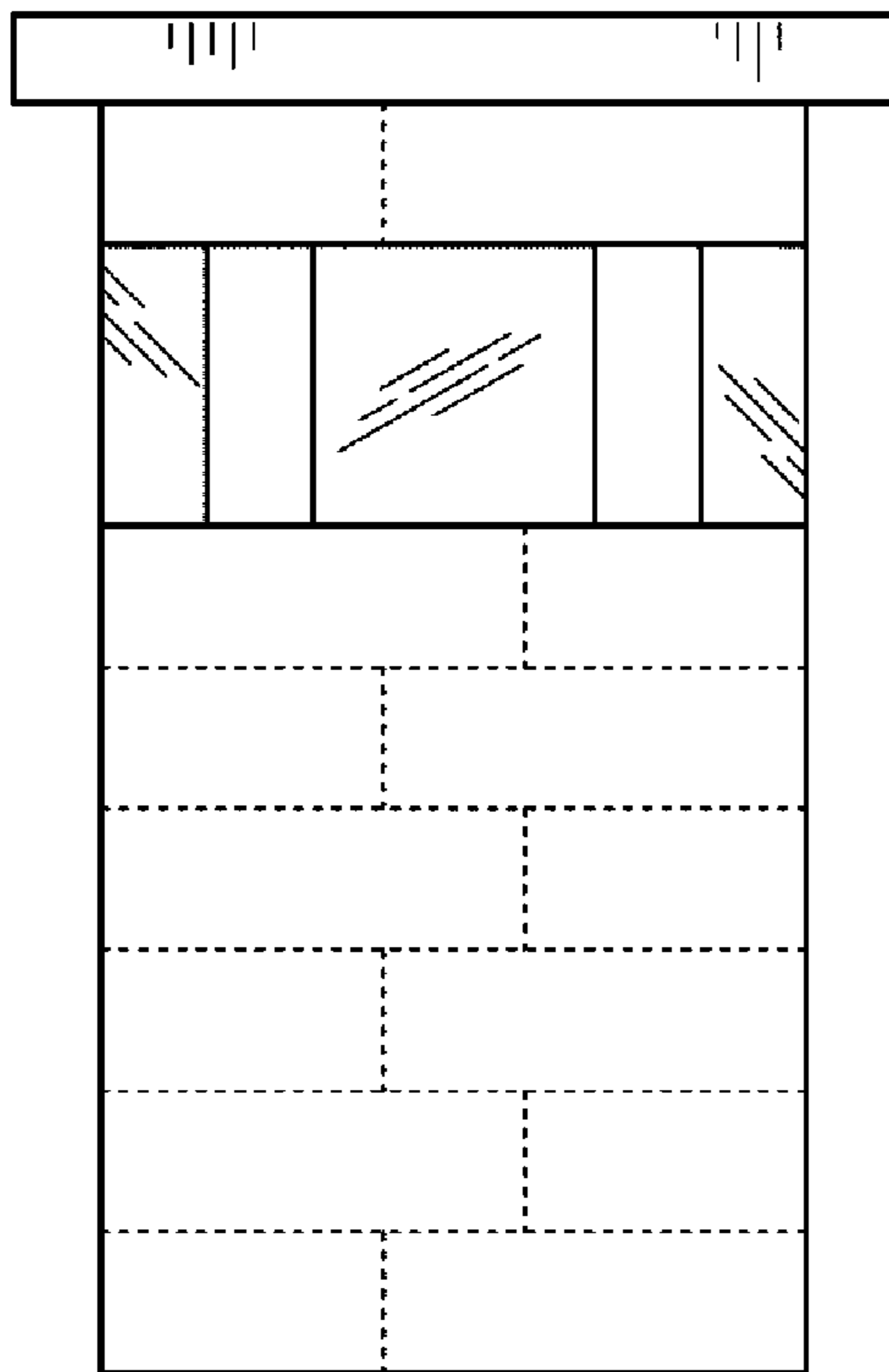


FIG. 3

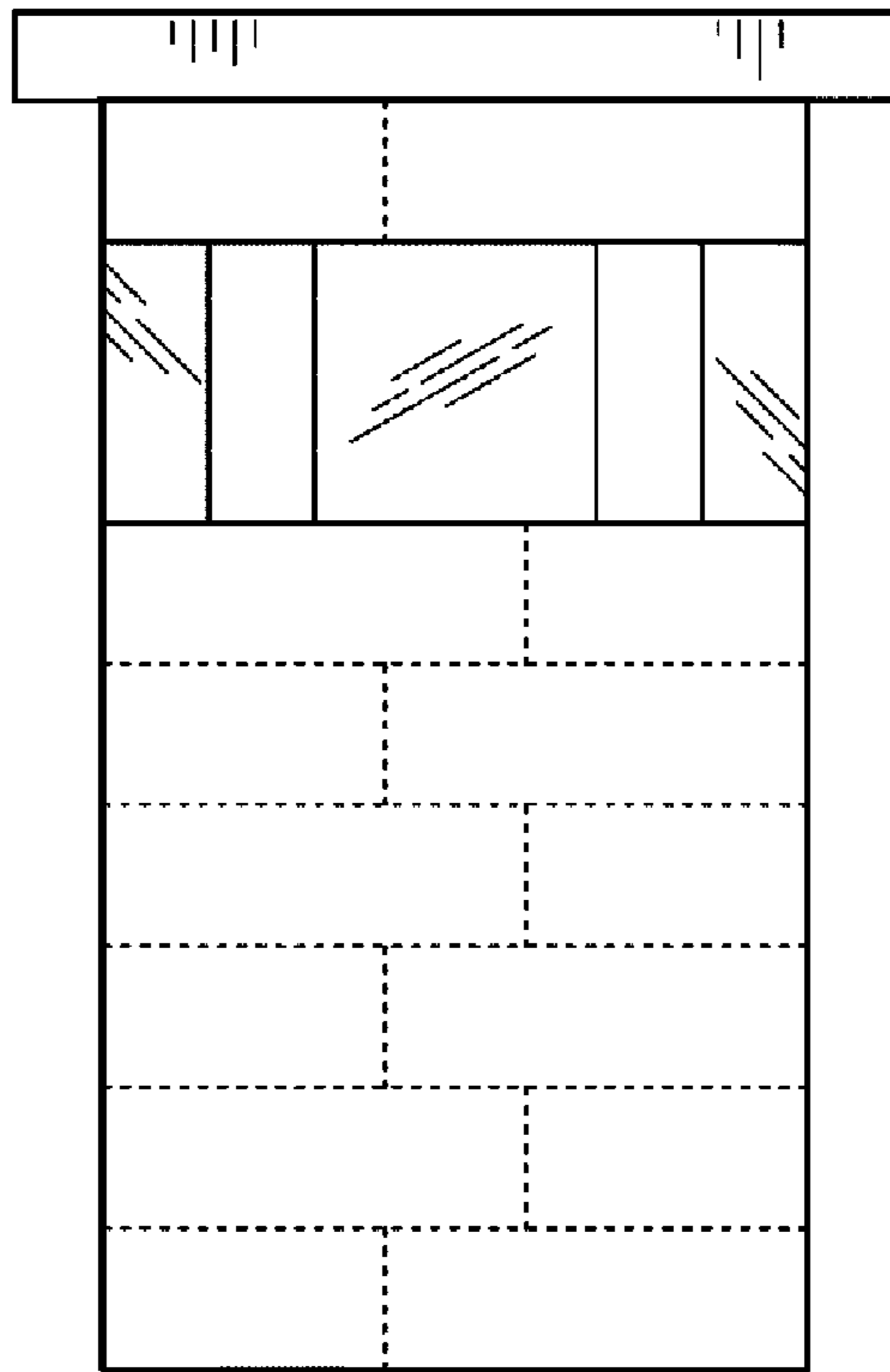


FIG. 4

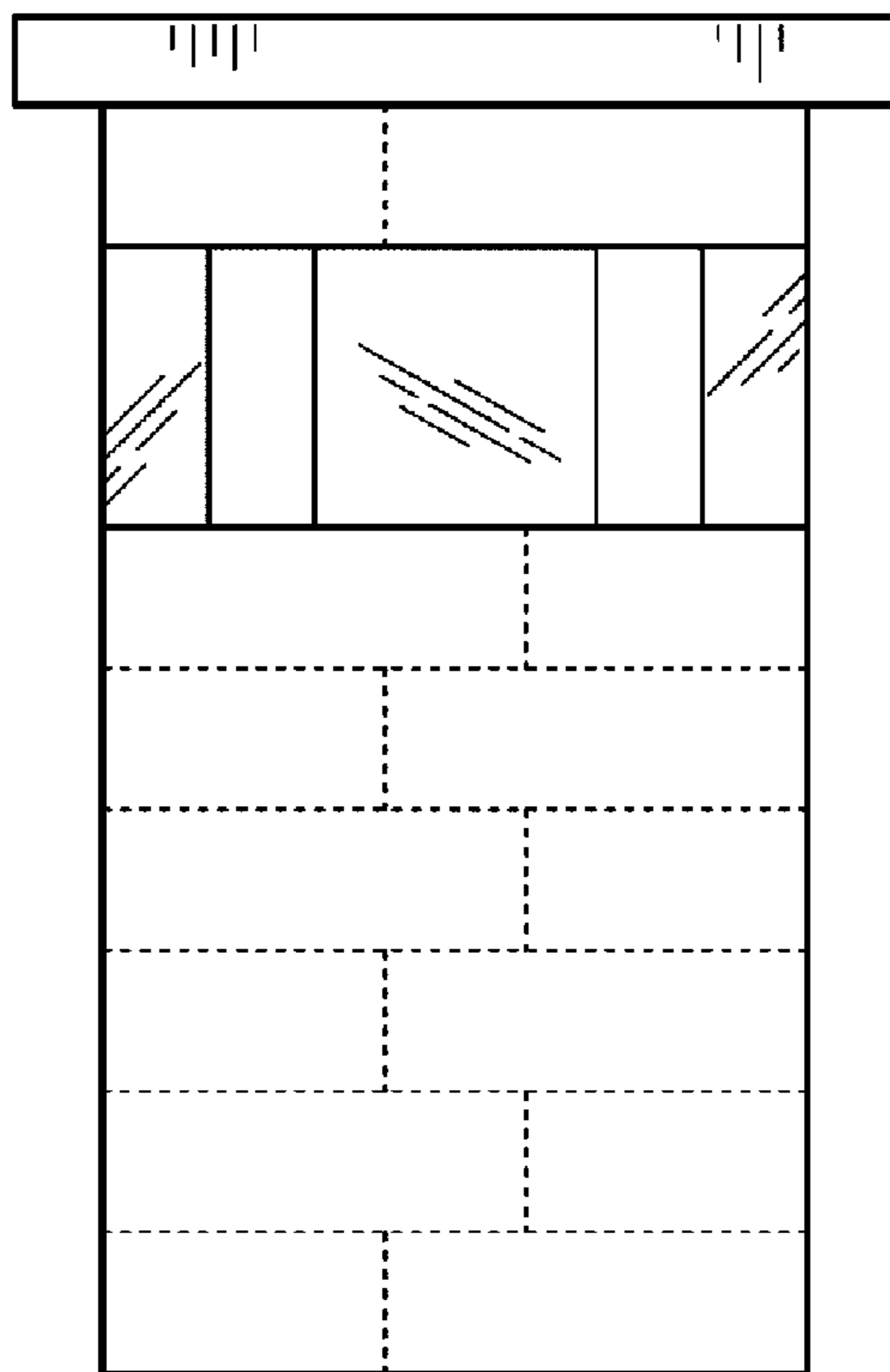


FIG. 5

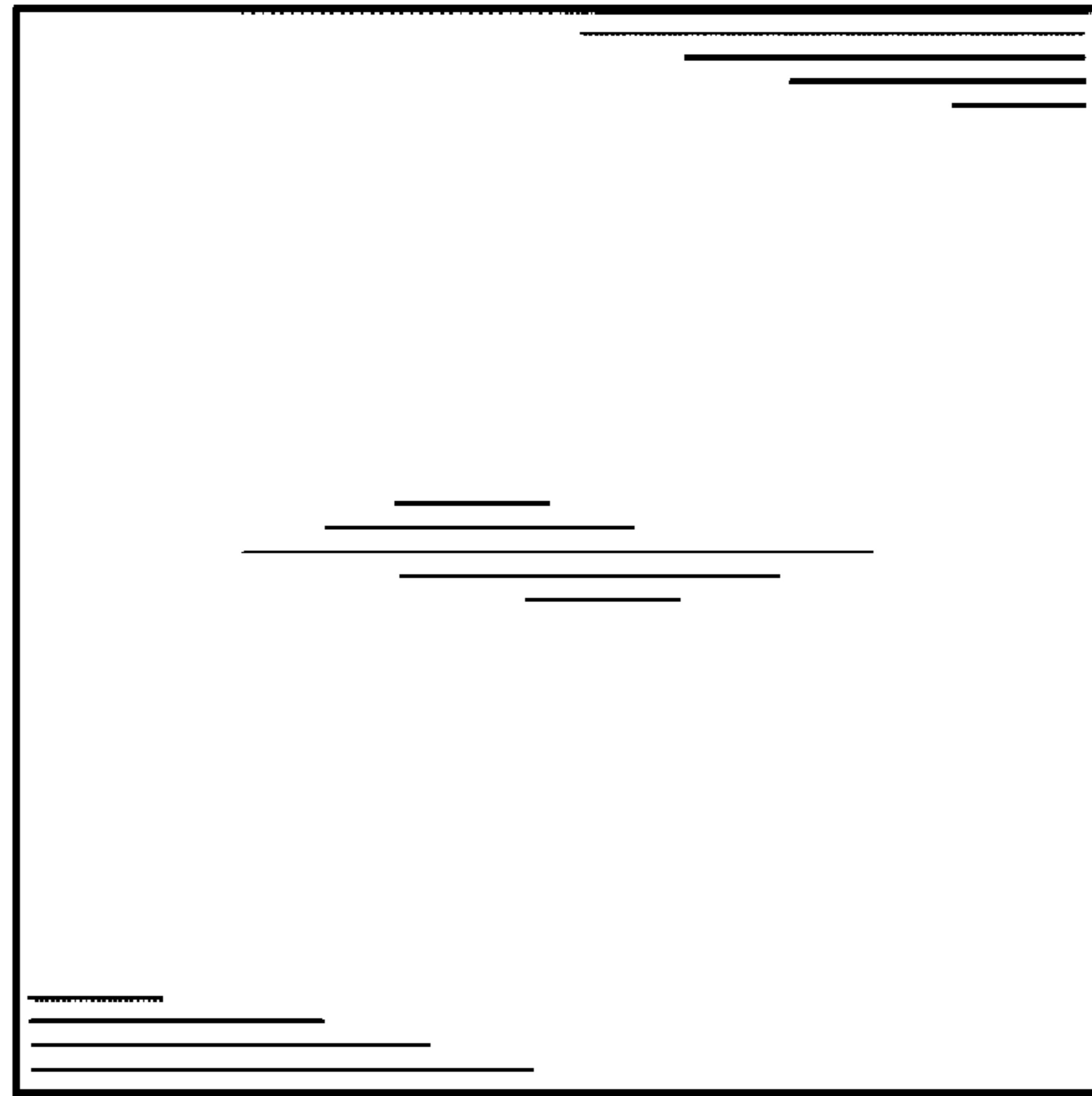


FIG. 6

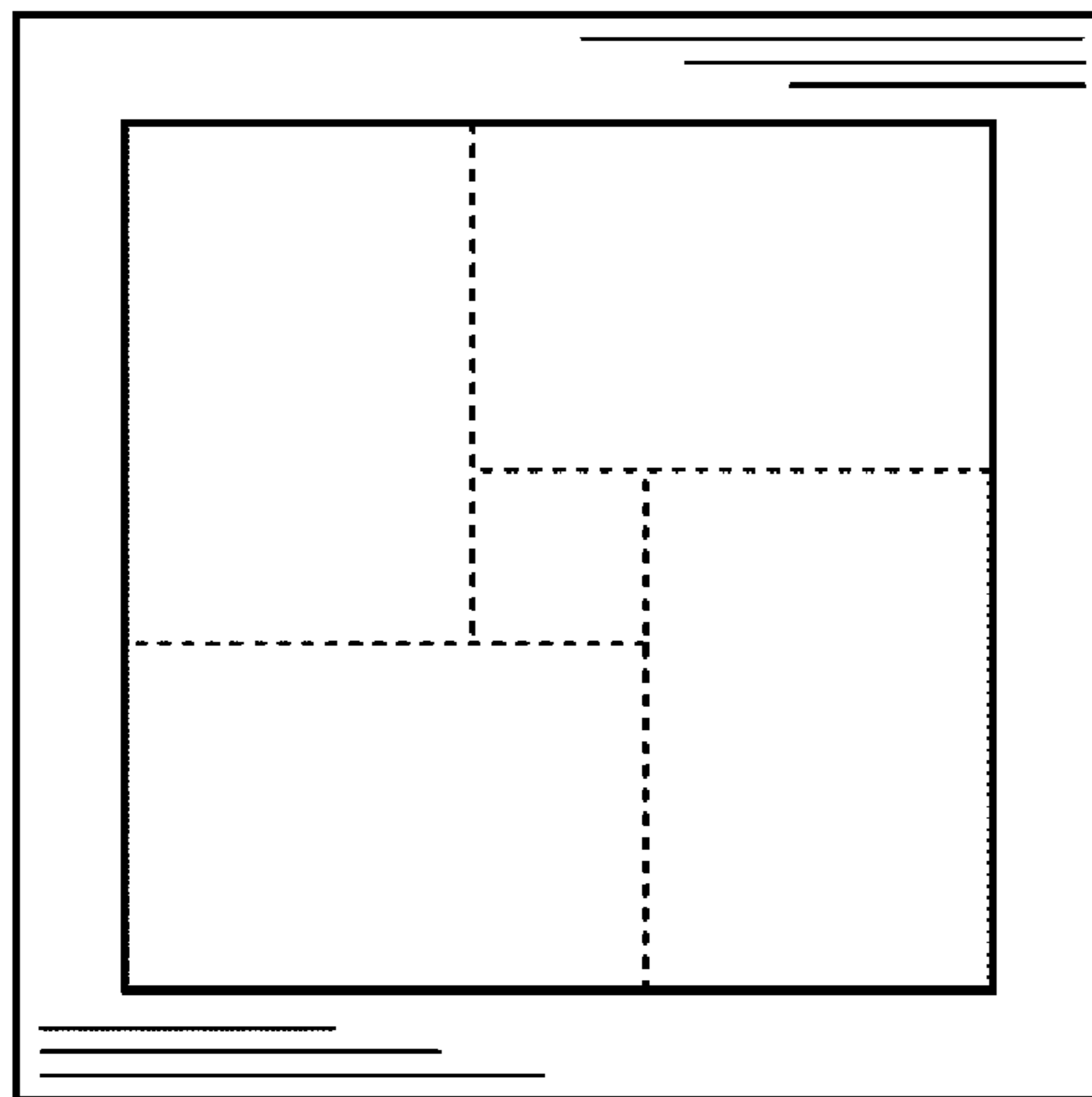


FIG. 7