

US00D648435S

(12) **United States Design Patent**
Brodbeck

(10) **Patent No.:** **US D648,435 S**

(45) **Date of Patent:** **** Nov. 8, 2011**

(54) **EXFOLIATOR**

(75) **Inventor:** **Kelly James Brodbeck**, Danville, CA (US)

(73) **Assignee:** **Vapore, Inc.**, Santa Barbara, CA (US)

(**) **Term:** **14 Years**

(21) **Appl. No.:** **29/369,258**

(22) **Filed:** **Sep. 3, 2010**

(51) **LOC (9) Cl.** **24-02**

(52) **U.S. Cl.** **D24/146; D24/200**

(58) **Field of Classification Search** D24/133, D24/146, 147, 200, 214, 215; D28/44, 50; D4/132, 134, 102; D23/223, 229; 606/9, 606/43, 36, 131, 133; 601/17, 95, 109, 114, 601/136, 137, 154, 160; 15/22.1, 28, 29, 15/180

See application file for complete search history.

D510,440 S *	10/2005	Huang	D24/211
D523,561 S *	6/2006	Telford	D24/215
D533,353 S *	12/2006	Daubenspeck et al.	D4/114
D533,943 S *	12/2006	Chen	D24/146
D549,964 S *	9/2007	Roth et al.	D4/102
D557,019 S *	12/2007	Gaiti	D4/134
D601,803 S *	10/2009	Reishus et al.	D4/102
D617,498 S *	6/2010	Martin	D28/59
D620,077 S *	7/2010	Lee	D23/223
7,786,626 B2 *	8/2010	Reishus et al.	310/36
7,788,757 B2 *	9/2010	Lei	15/28
D636,933 S *	4/2011	Newman	D28/7
7,941,887 B2 *	5/2011	Tsai	15/29
2007/0142845 A1 *	6/2007	Akridge et al.	606/131

* cited by examiner

Primary Examiner — Ian Simmons

Assistant Examiner — Carissa C Fitts

(74) *Attorney, Agent, or Firm* — The Firenza Group Ltd.; Sharon R. Kantor

(57) **CLAIM**

The ornamental design for an exfoliator, as shown and described.

DESCRIPTION

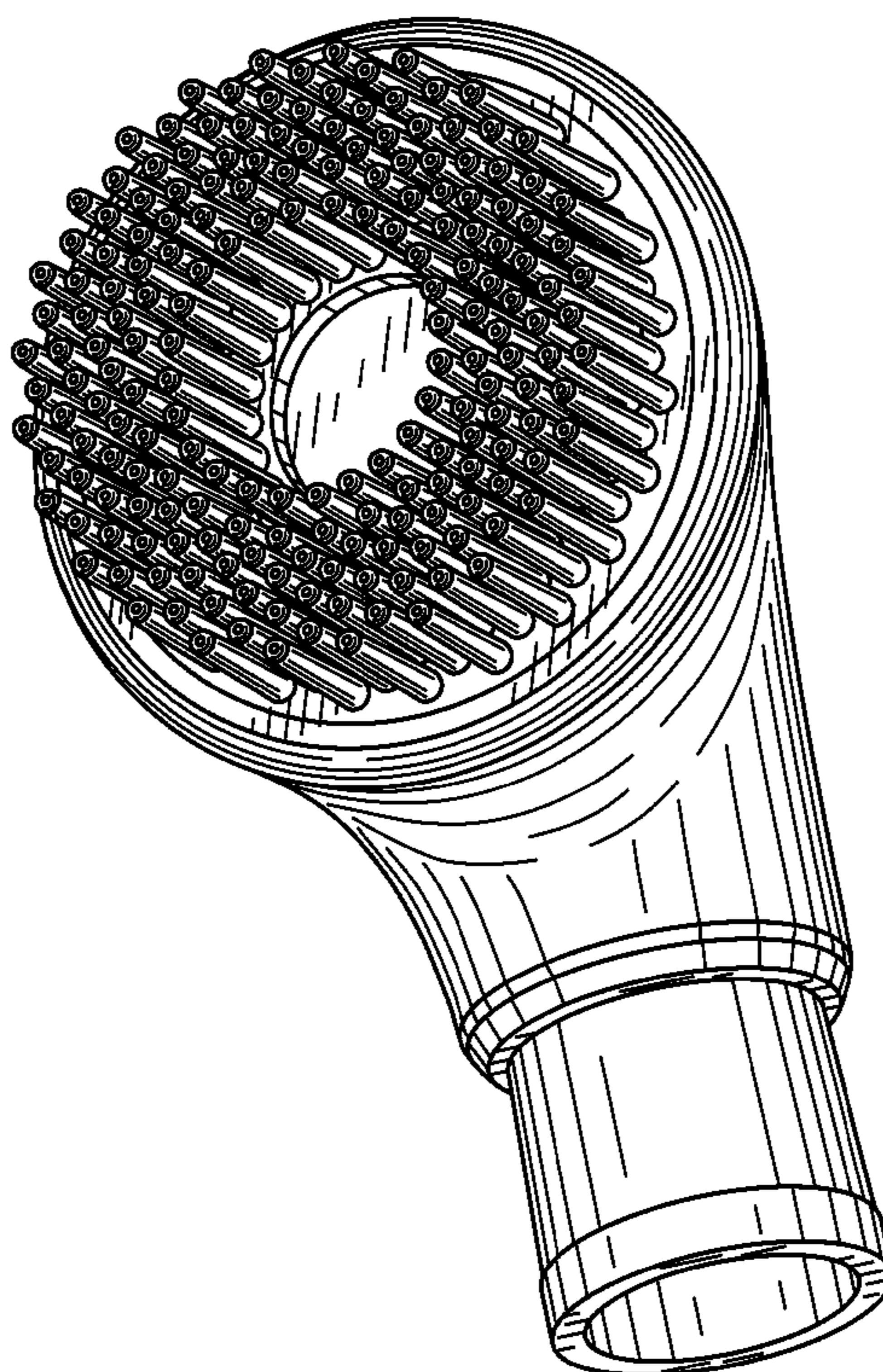
FIG. 1 is a front view of an exfoliator of the present invention; FIG. 2 is a left side view thereof; FIG. 3 is a bottom view thereof; FIG. 4 is a right side view thereof; FIG. 5 is a rear view thereof; FIG. 6 is a top view thereof; and, FIG. 7 is a bottom, left, front perspective view thereof.

1 Claim, 7 Drawing Sheets

(56) **References Cited**

U.S. PATENT DOCUMENTS

4,724,563 A *	2/1988	Fry et al.	15/28
D295,921 S *	5/1988	Spadotto et al.	D4/115
4,841,590 A *	6/1989	Terry et al.	15/28
D318,179 S *	7/1991	Akins	D4/115
D360,695 S *	7/1995	Wollman	D24/211
D452,044 S *	12/2001	Goetschi	D28/20
D484,314 S *	12/2003	DiGioia	D4/115
D500,854 S *	1/2005	Eichel	D24/146
D510,138 S *	9/2005	Kim	D24/133
D510,158 S *	9/2005	Cheung	D28/58



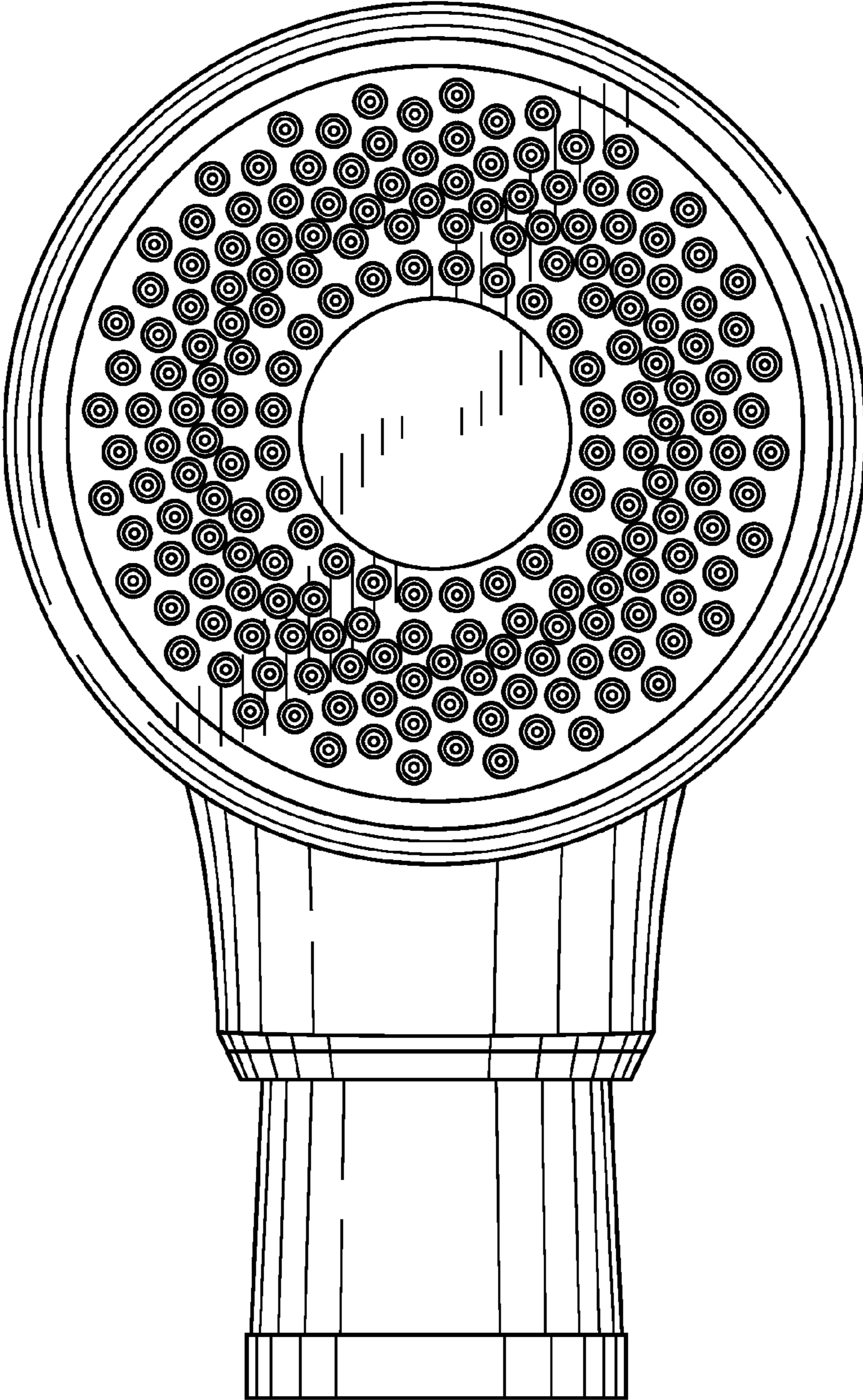


FIG. 1

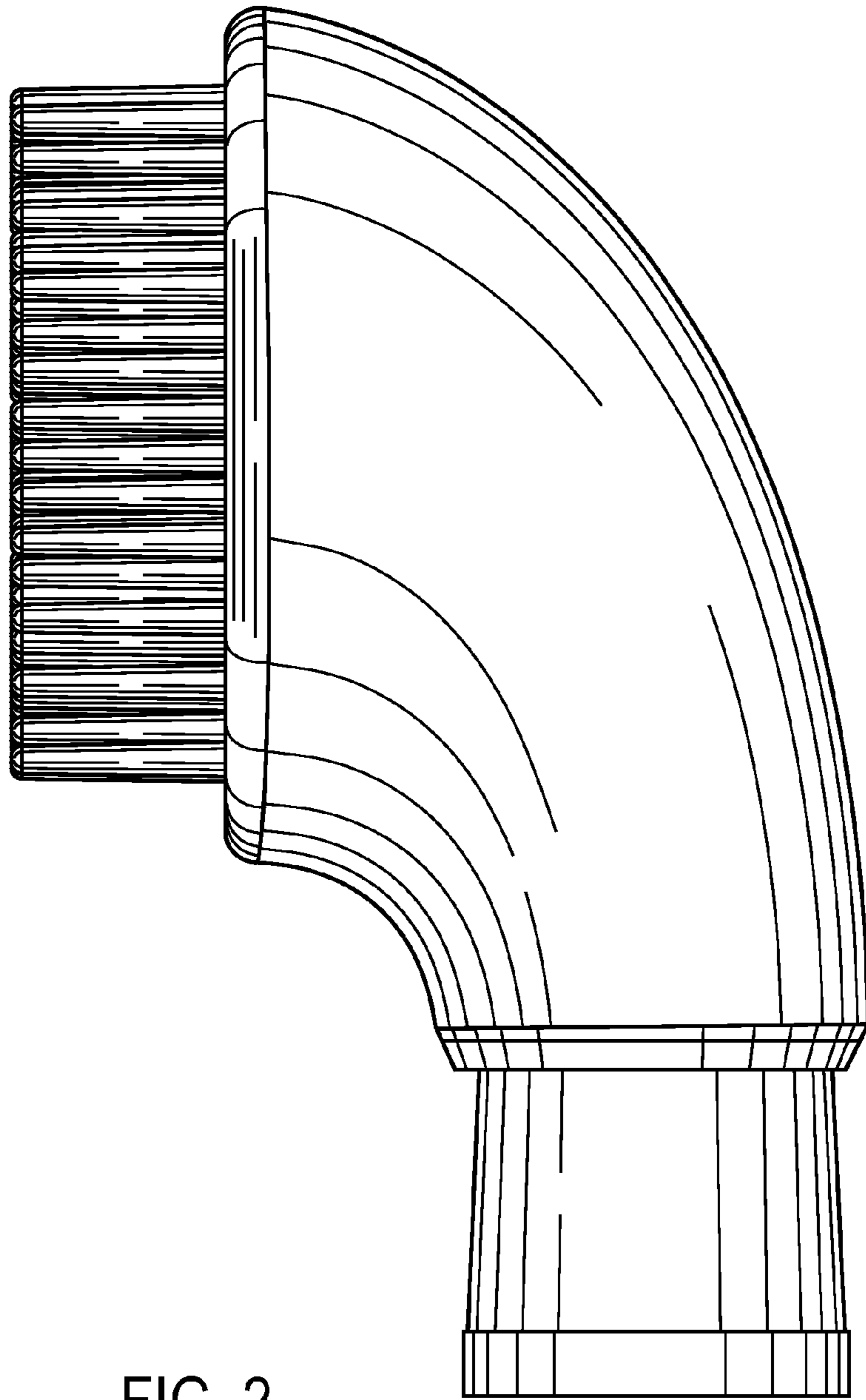


FIG. 2

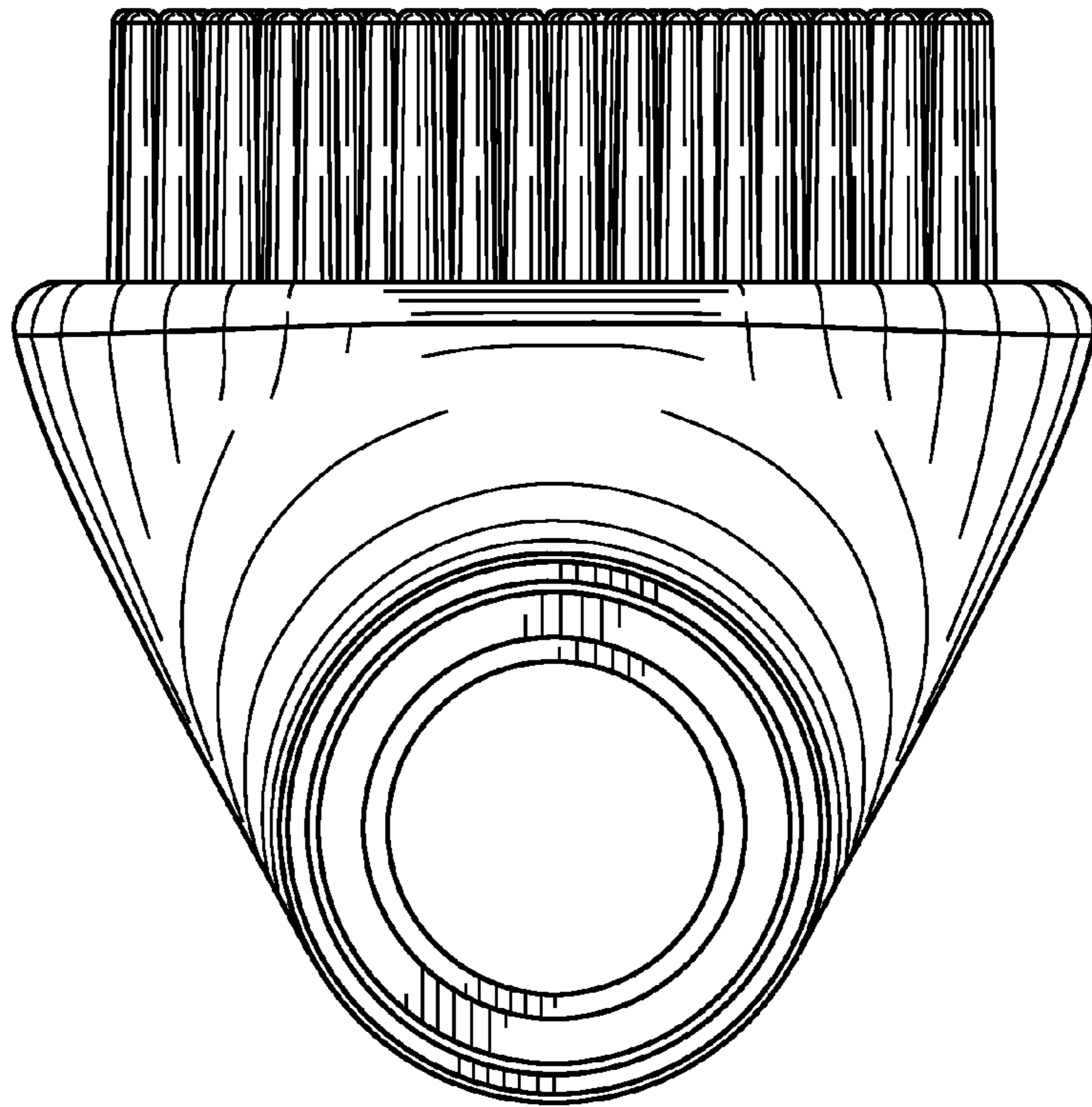


FIG. 3

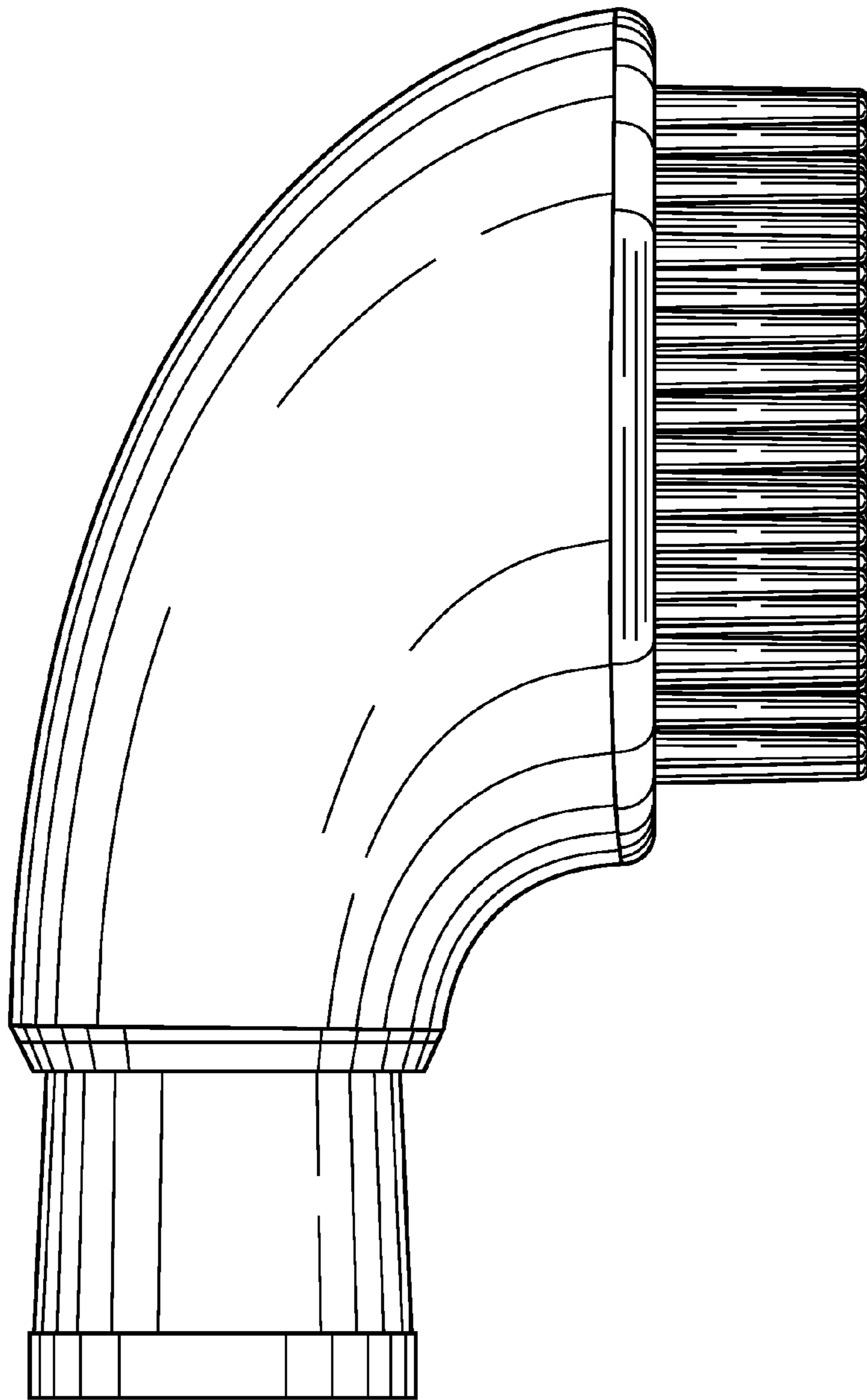


FIG. 4

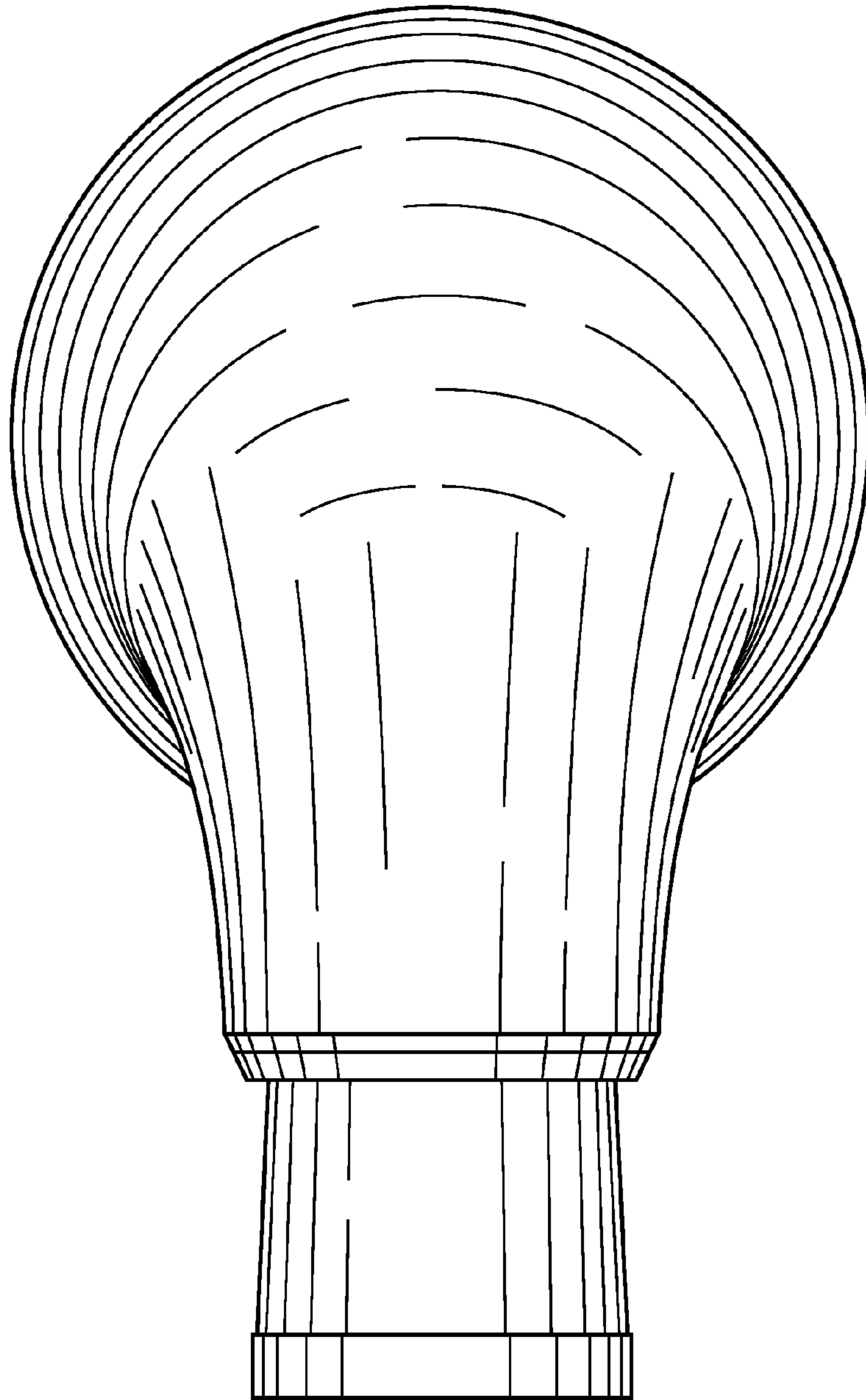


FIG. 5

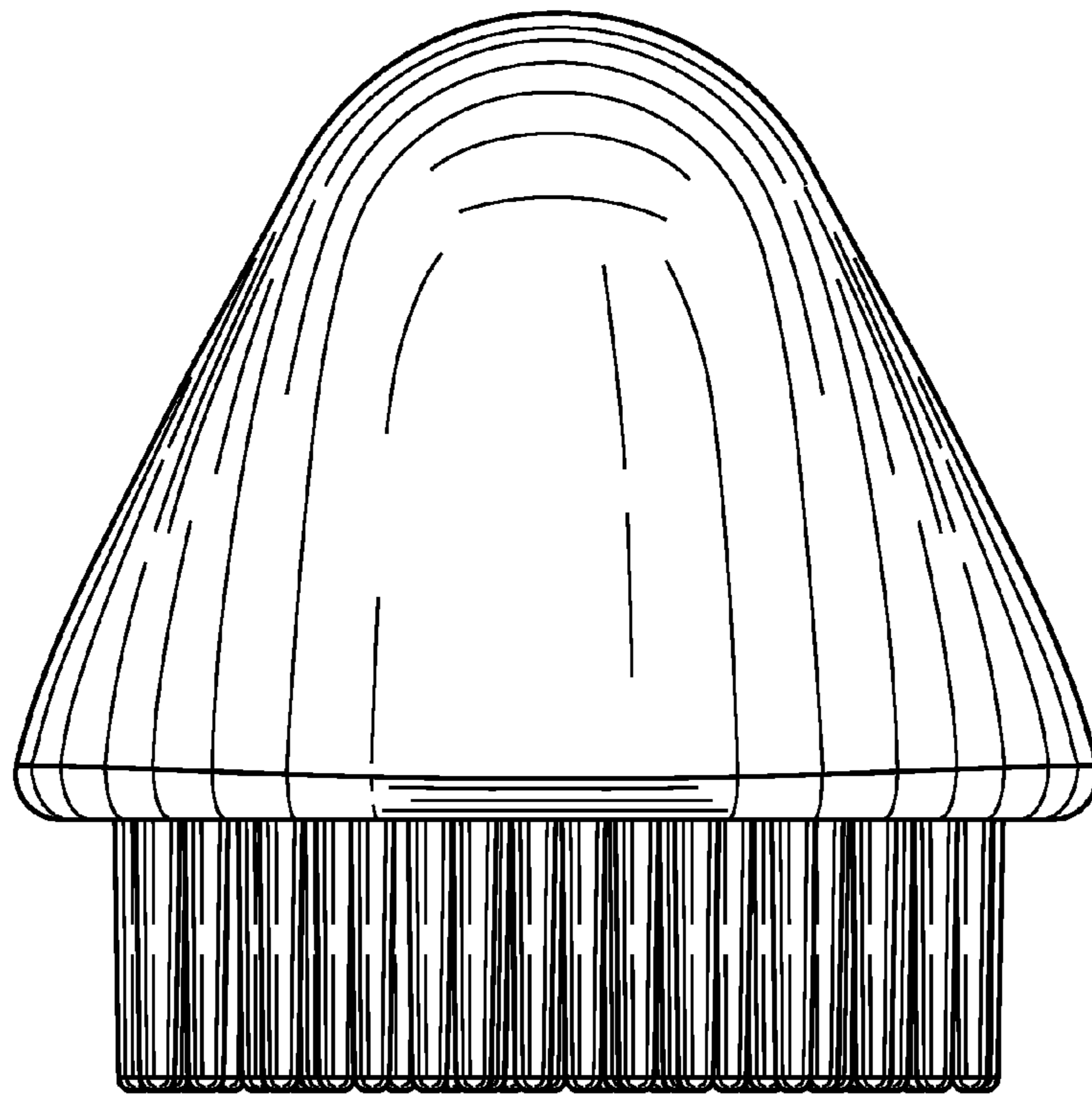


FIG. 6

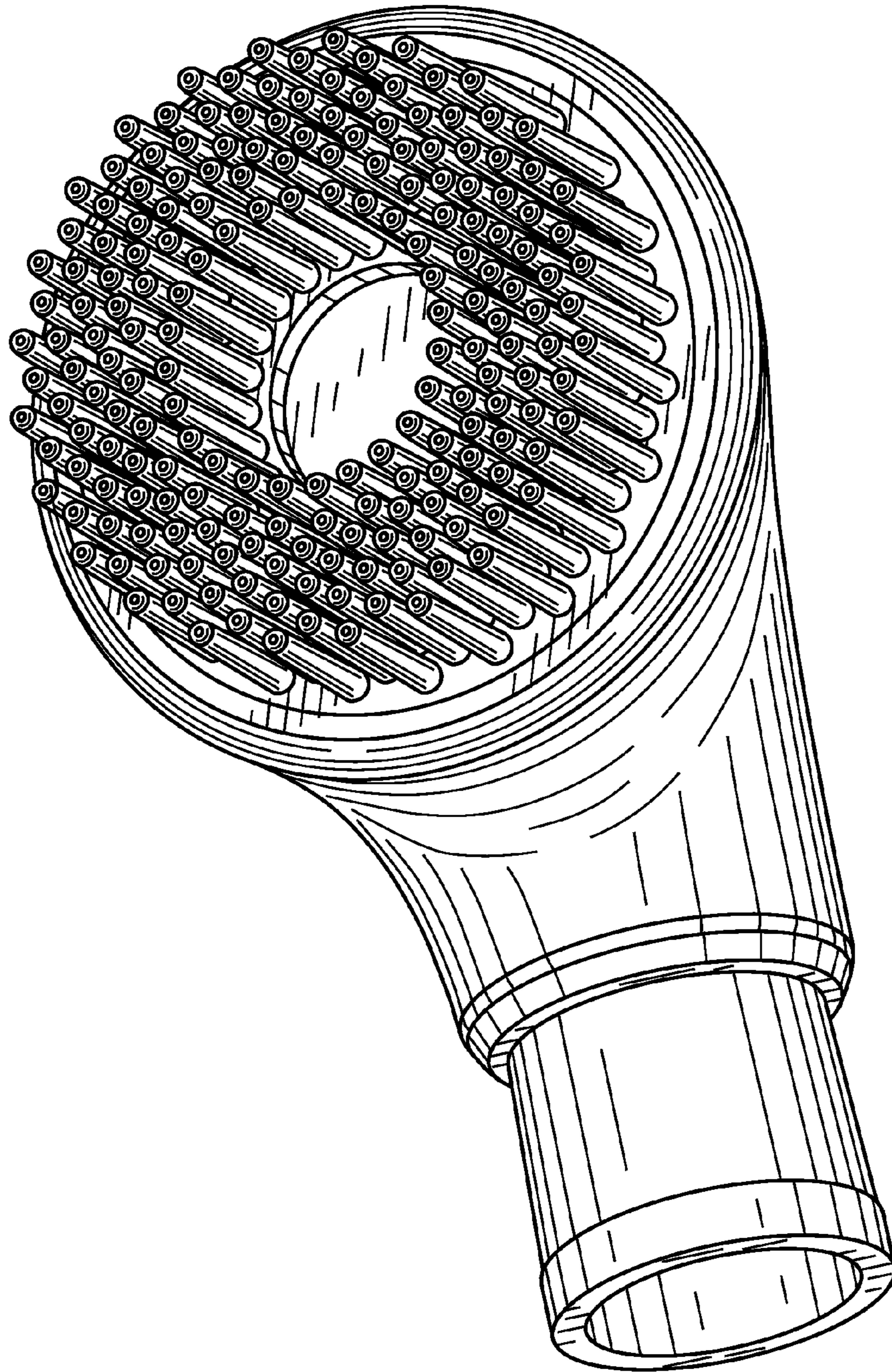


FIG. 7